



US00D902461S

(12) **United States Design Patent**
Roys et al.

(10) **Patent No.:** **US D902,461 S**

(45) **Date of Patent:** **** Nov. 17, 2020**

(54) **LED STICK COUPLER**

(71) Applicants: **Curtis Alan Roys**, Fredericksburg, TX
(US); **Sidney Howard Norton**, Odessa,
TX (US)

(72) Inventors: **Curtis Alan Roys**, Fredericksburg, TX
(US); **Sidney Howard Norton**, Odessa,
TX (US)

(**) Term: **15 Years**

(21) Appl. No.: **29/640,863**

(22) Filed: **Mar. 16, 2018**

(51) **LOC (12) Cl.** **26-02**

(52) **U.S. Cl.**
USPC **D26/51; D26/113**

(58) **Field of Classification Search**
USPC D26/37-51, 113
CPC F21L 2003/00; F21L 4/00; F21L 4/005;
F21L 4/02; F21L 4/025; F21L 4/027;
F21L 4/04; F21L 4/08; F21L 2005/00;
F21L 7/00; F21L 11/00; F21L 13/00;
F21L 13/04; F21L 13/08; F21L 14/02;
F21L 17/00; F21L 19/00; F21L 25/00
See application file for complete search history.

(56) **References Cited**

U.S. PATENT DOCUMENTS

D289,206 S * 4/1987 Scoville, Jr. D26/113
D299,167 S * 12/1988 Adair D24/138
D313,663 S * 1/1991 Yuen D26/38

D331,241 S * 11/1992 Price D15/5
D413,967 S * 9/1999 Yuen D23/262
D417,133 S * 11/1999 Niswanger D8/331
D440,624 S * 4/2001 Case D22/107
D440,676 S * 4/2001 Petruzzi D26/38
D514,012 S * 1/2006 Philippeau D11/79
D594,317 S * 6/2009 Anthony D8/382
D776,848 S * 1/2017 Eastman, II D26/113
D793,000 S * 7/2017 Sonneman D26/113
D796,717 S * 9/2017 Wu D26/38
D825,829 S * 8/2018 Guo D26/63
D831,879 S * 10/2018 Minale D26/113
D836,227 S * 12/2018 Root D26/38

* cited by examiner

Primary Examiner — Lakiya G Rogers

Assistant Examiner — Carissa C Fitts

(74) *Attorney, Agent, or Firm* — Scheinberg &
Associates, PC; Michael O. Scheinberg

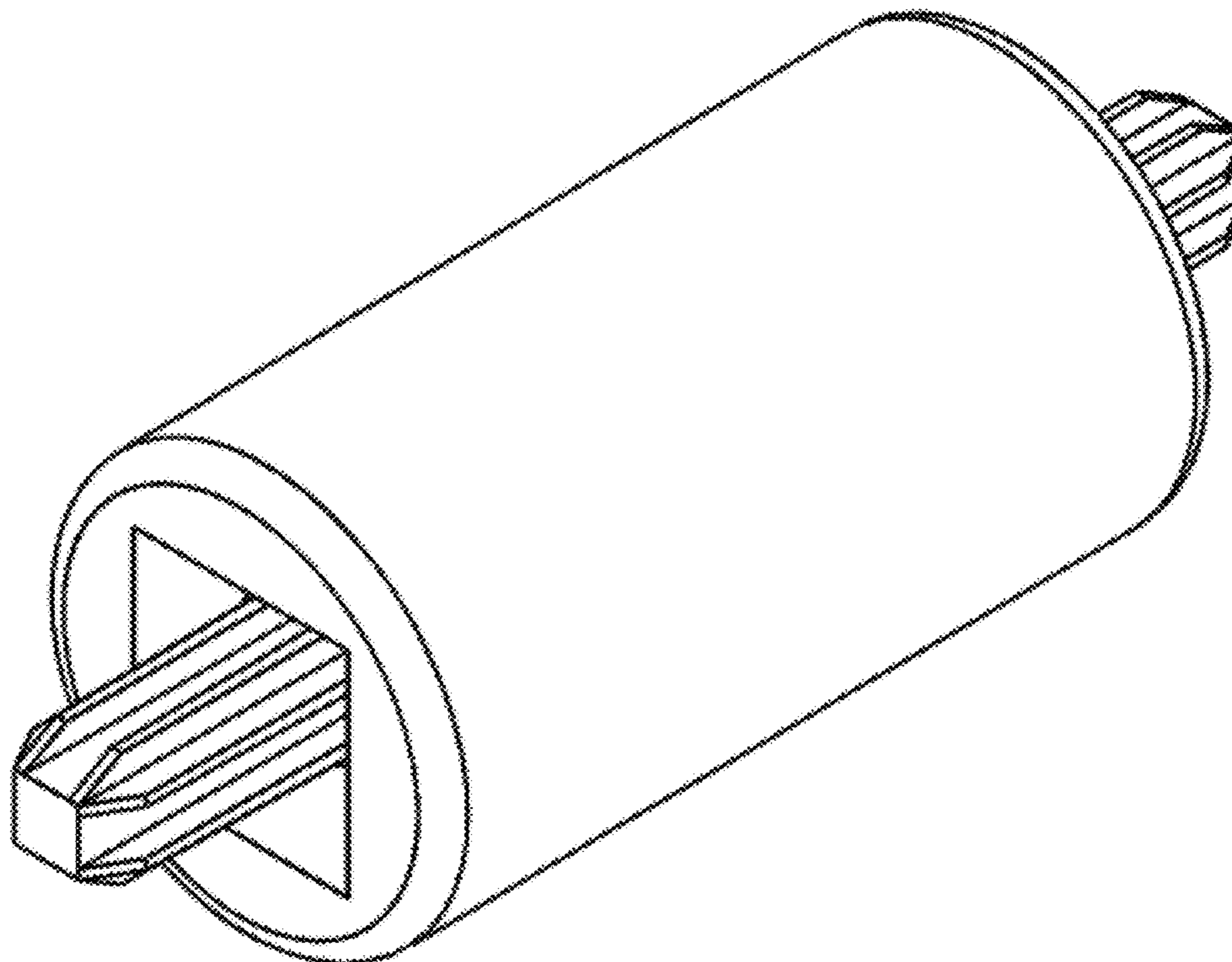
(57) **CLAIM**

We claim the ornamental design for an LED stick coupler,
as shown and described.

DESCRIPTION

FIG. 1 is an isometric view of an LED stick coupler,
showing my new design;
FIG. 2 is a front elevation thereof, the rear elevation view
being the same;
FIG. 3 is a left elevation thereof; the right elevation, top and
bottom plan views being the same; and,
FIG. 4 is a cross section thereof the section being taken
along the plane shown in FIG. 2.

1 Claim, 2 Drawing Sheets



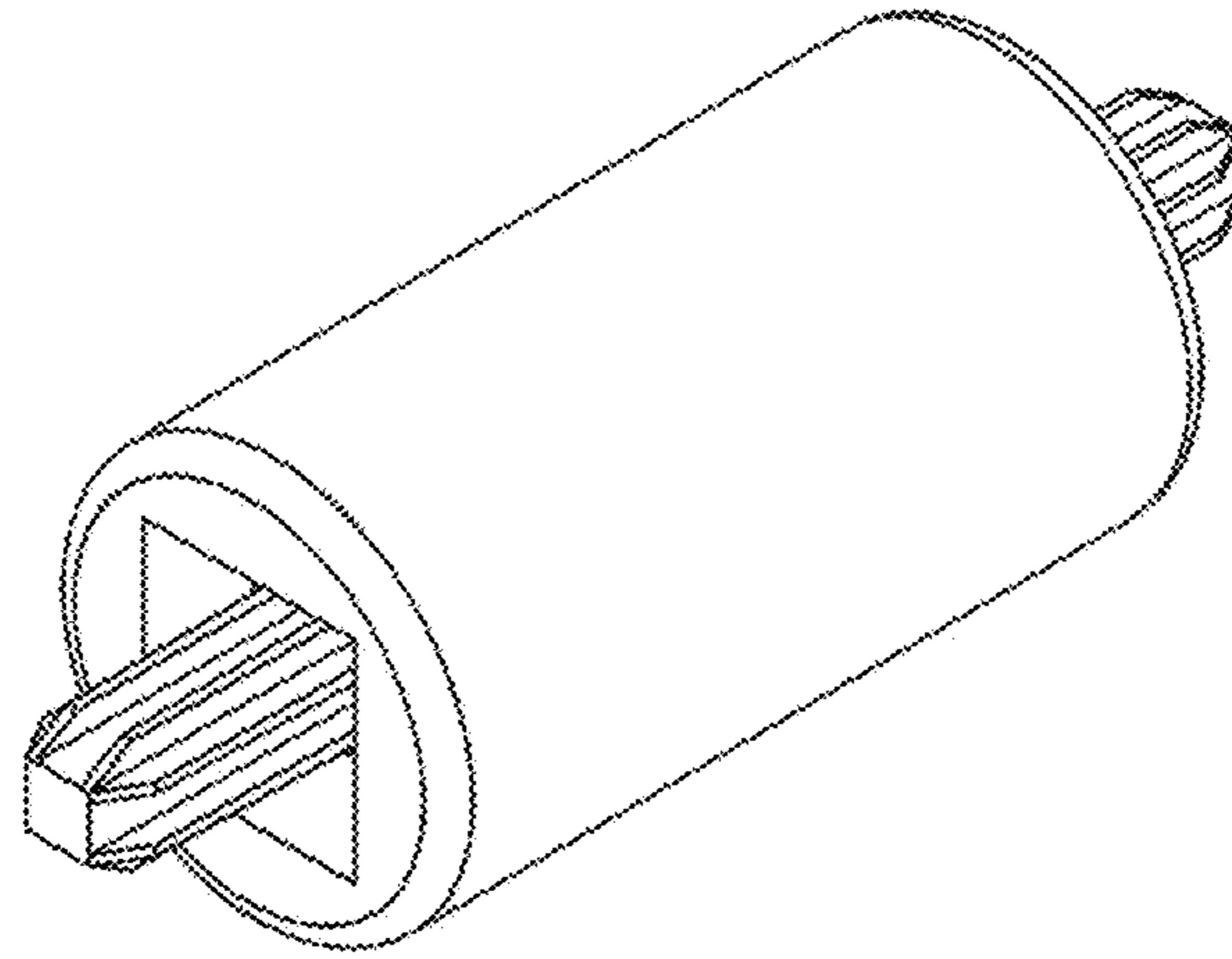


FIG. 1

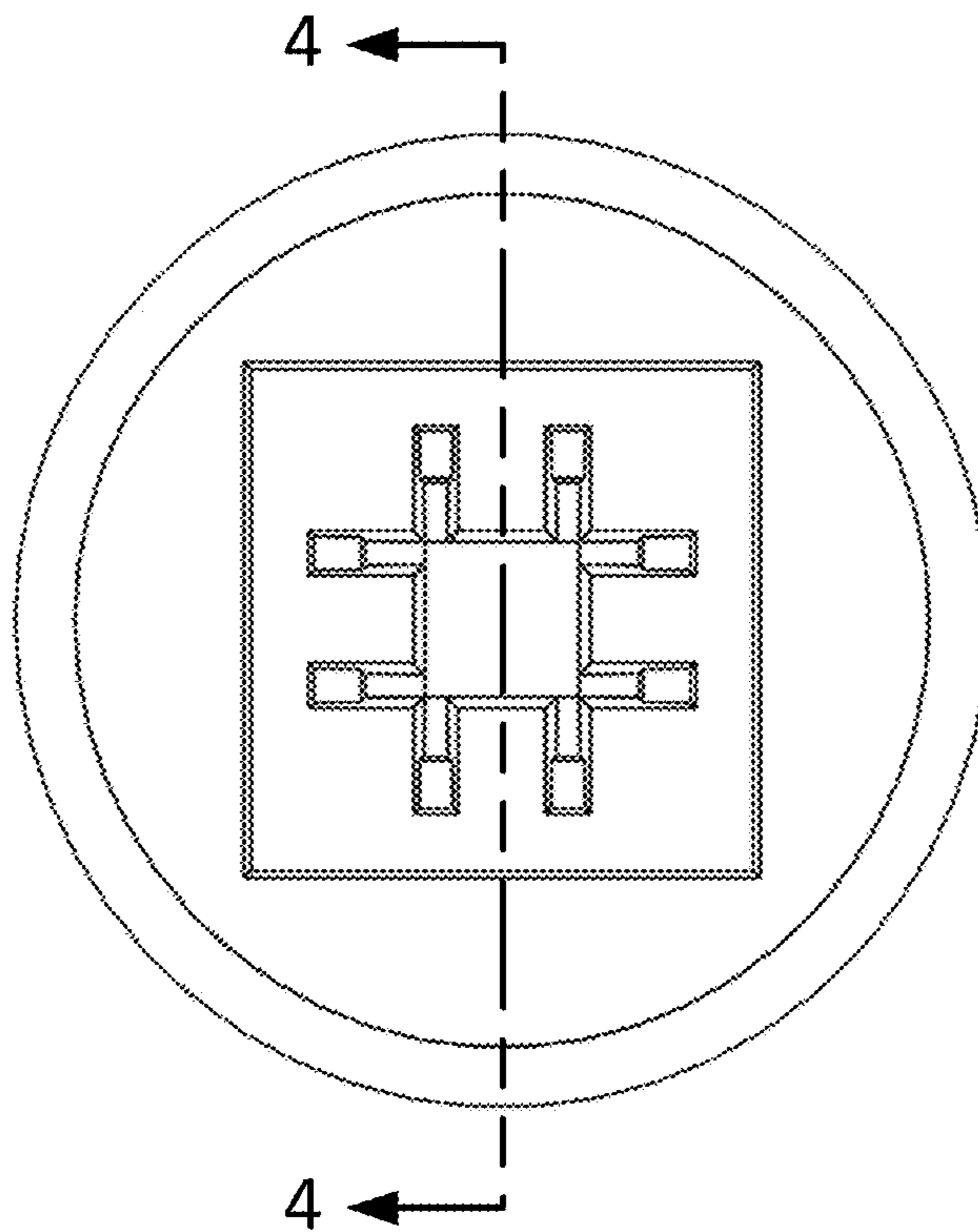


FIG. 2

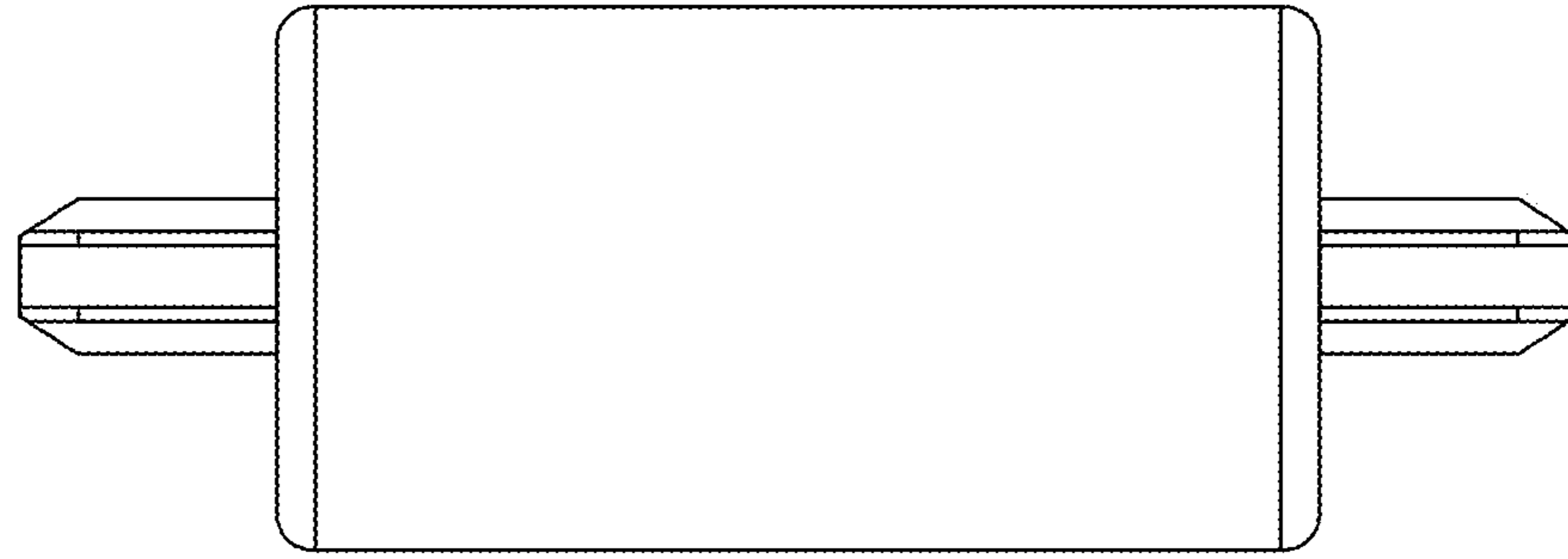


FIG. 3

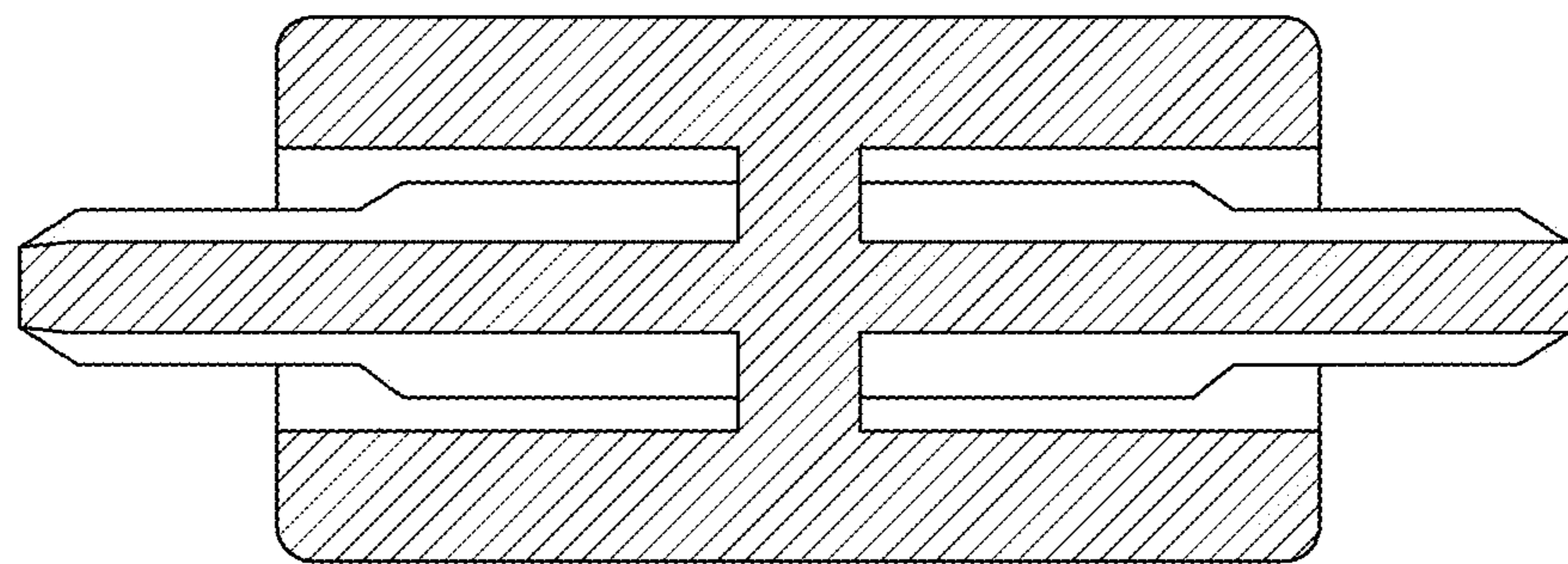


FIG. 4