



US00D902458S

(12) **United States Design Patent** (10) **Patent No.:** **US D902,458 S**
Kim et al. (45) **Date of Patent:** **** Nov. 17, 2020**

(54) **HEAD LAMP FOR VEHICLES**

(56) **References Cited**

(71) Applicants: **HYUNDAI MOTOR COMPANY**,
Seoul (KR); **KIA MOTORS**
CORPORATION, Seoul (KR)
(72) Inventors: **Gyu-Bong Kim**, Suwon-si (KR);
Chan-Hee Lee, Hwaseong-si (KR);
Duck-Hyun Hwang, Seoul (KR)
(73) Assignees: **Hyundai Motor Company**, Seoul
(KR); **Kia Motors Corporation**, Seoul
(KR)

U.S. PATENT DOCUMENTS

| | | | |
|--------------|---------|--------------|--------|
| D620,626 S * | 7/2010 | Shim | D26/28 |
| D681,852 S * | 5/2013 | Behmer | D26/28 |
| D759,865 S * | 6/2016 | Shim | D26/28 |
| D776,310 S * | 1/2017 | Mackay | D26/28 |
| D816,875 S * | 5/2018 | Kong | D26/28 |
| D834,225 S * | 11/2018 | Kwon | D26/28 |
| D842,510 S * | 3/2019 | Kang | D26/28 |
| D849,283 S * | 5/2019 | Lin | D26/28 |
| D855,848 S * | 8/2019 | Lai | D26/28 |
| D857,954 S * | 8/2019 | Han | D26/28 |
| D867,637 S * | 11/2019 | Kong | D26/28 |
| D878,644 S * | 3/2020 | Lai | D26/28 |

(**) Term: **15 Years**

* cited by examiner

(21) Appl. No.: **35/507,544**

Primary Examiner — Natasha Vujcic

(22) Filed: **Feb. 20, 2019**

(74) *Attorney, Agent, or Firm* — Mintz Levin Cohn Ferris
Glovsky and Popeo, P.C.; Peter F. Corless; Carolina E.
Säve

(80) **Hague Agreement Data**

Int. Filing Date: **Feb. 20, 2019**
Int. Reg. No.: **DM/203431**
Int. Reg. Date: **Feb. 20, 2019**
Int. Reg. Pub. Date: **Oct. 25, 2019**

(57) **CLAIM**

The ornamental design for a head lamp for vehicles, as
shown and described.

(51) **LOC (12) Cl.** **26-06**

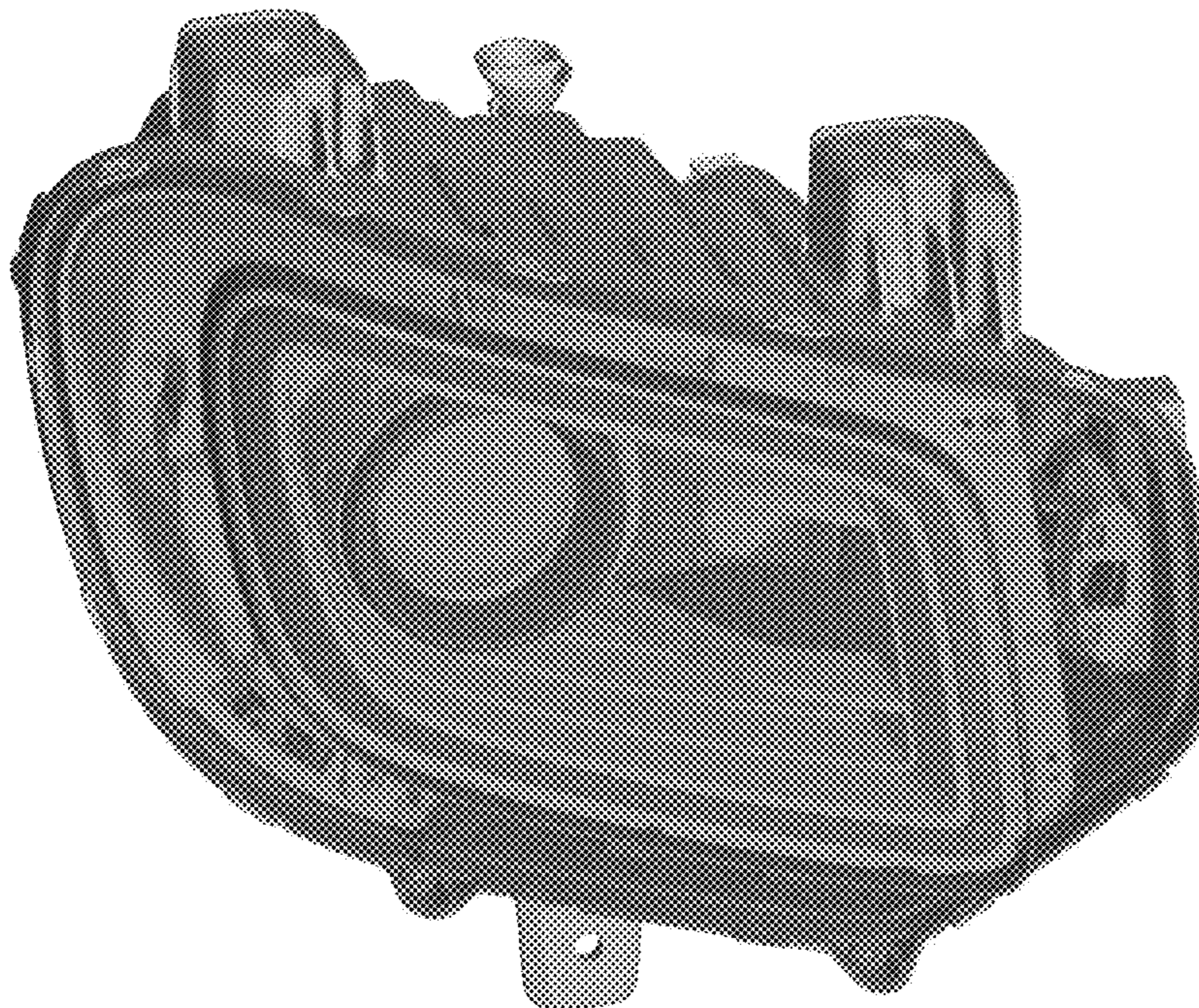
(52) **U.S. Cl.**
USPC **D26/28**

(58) **Field of Classification Search**
USPC D26/28
CPC F21S 48/00; F21S 48/10; F21S 48/115;
F21S 48/225; F21S 48/1233; F21S
48/1266; F21S 48/1388; F21S 48/2266;
F21V 21/04; B60Q 1/30; B60Q 1/2607;
B60Q 1/2696; B62J 6/00; B62J 6/04
See application file for complete search history.

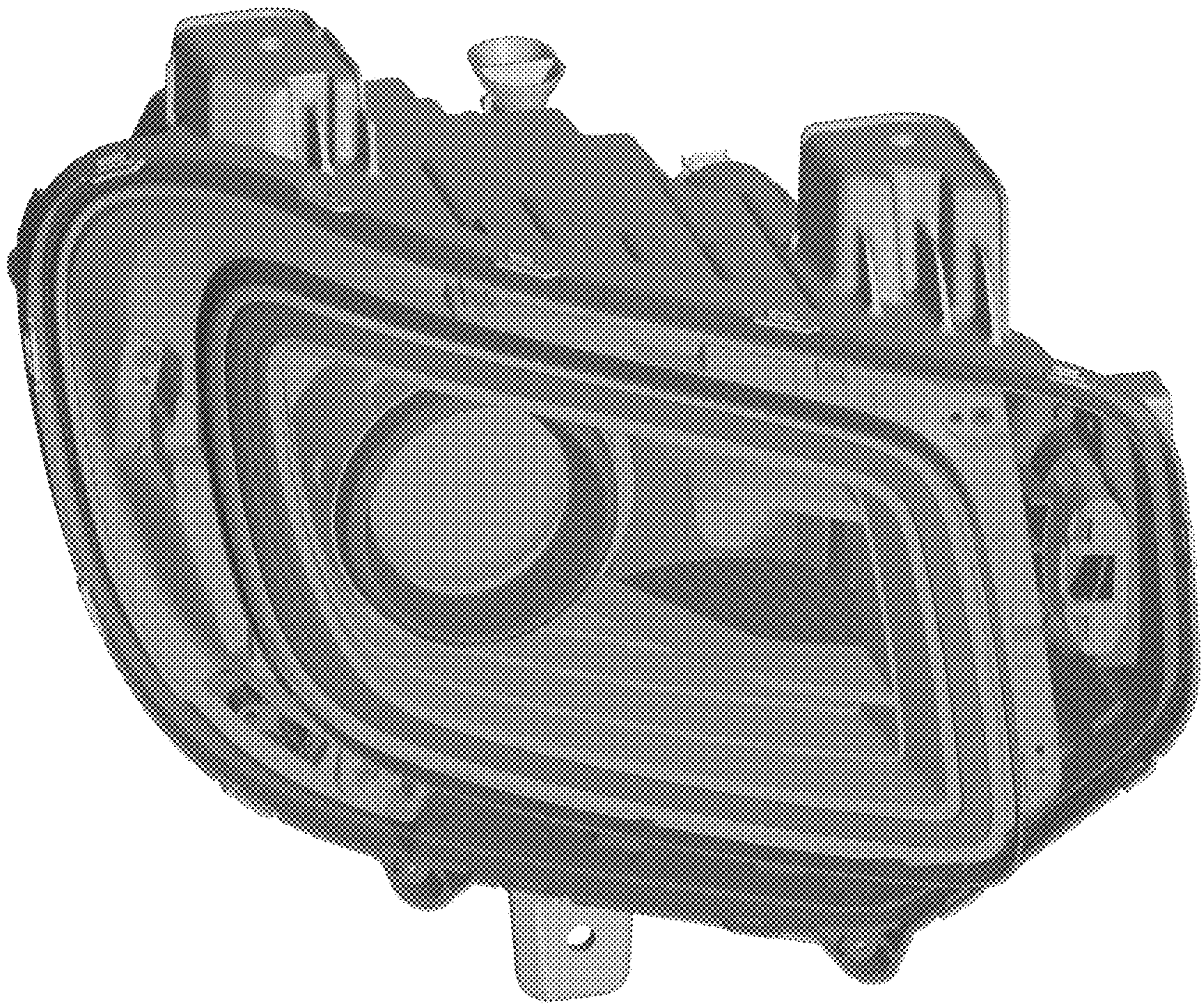
DESCRIPTION

- 1. Head lamp for vehicles
- 1.1 : Perspective
- 1.2 : Front
- 1.3 : Back
- 1.4 : Top
- 1.5 : Left
- 1.6 : Right
- 1.7 : Bottom

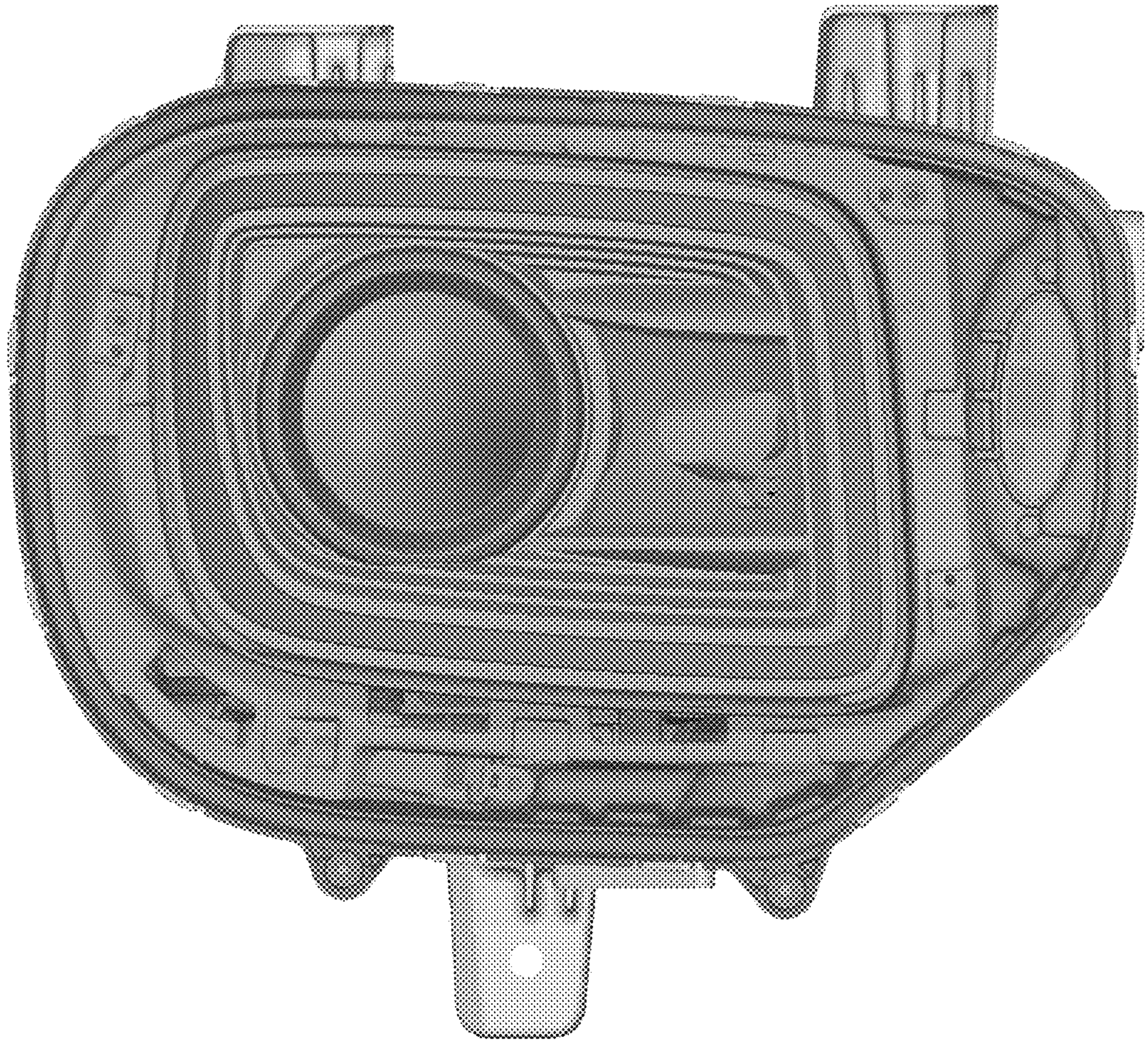
1 Claim, 7 Drawing Sheets



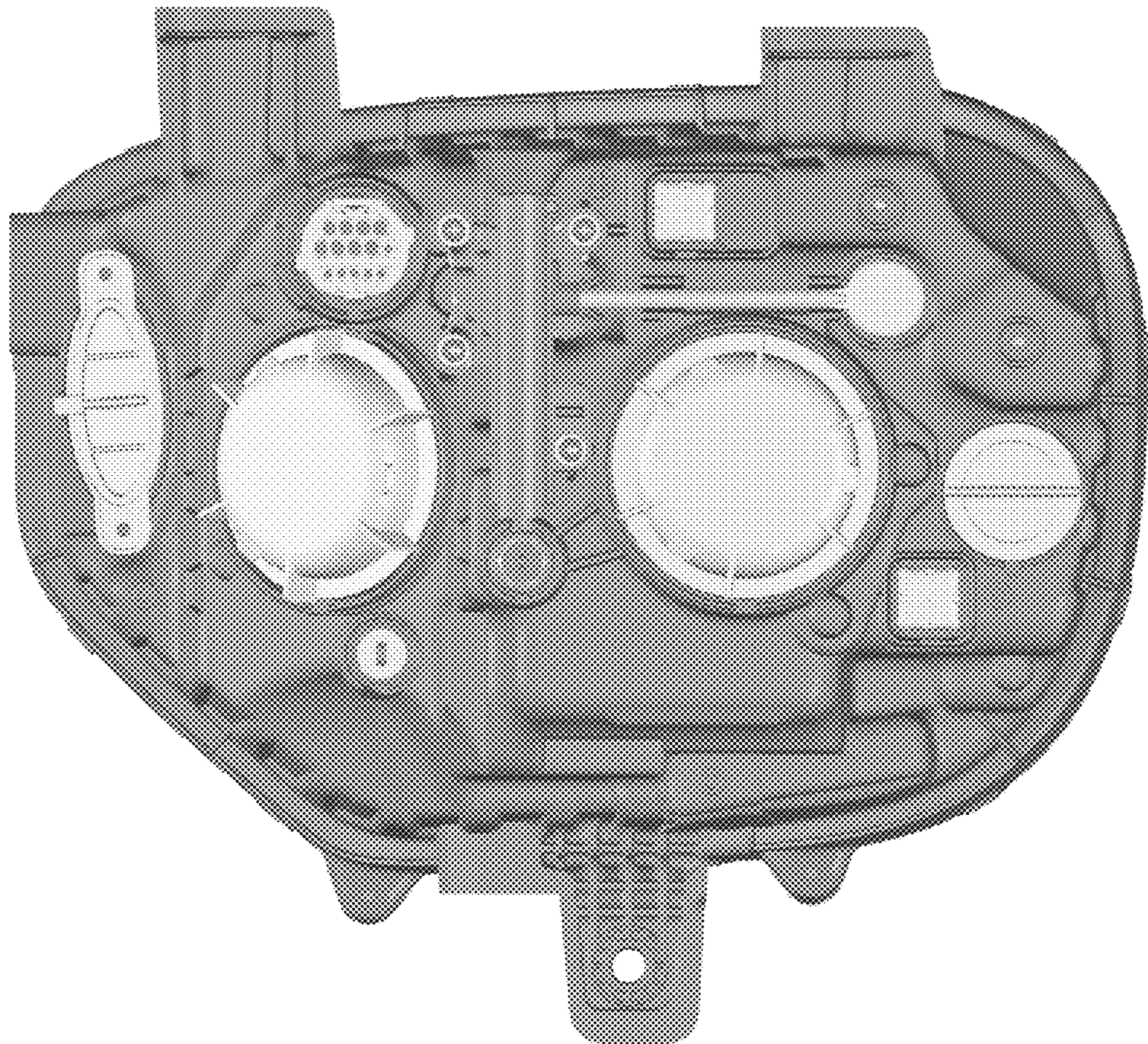
1.1



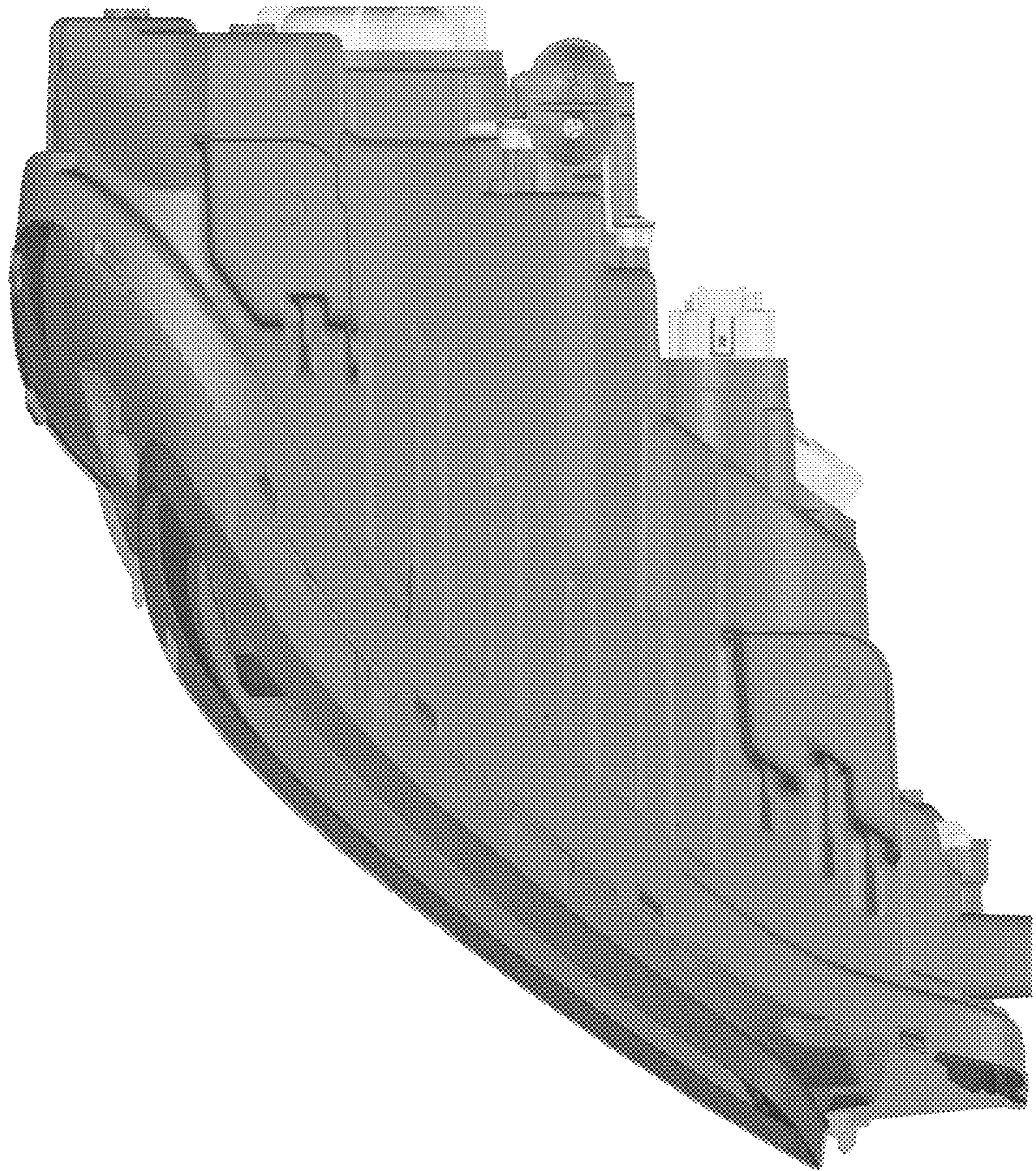
1.2



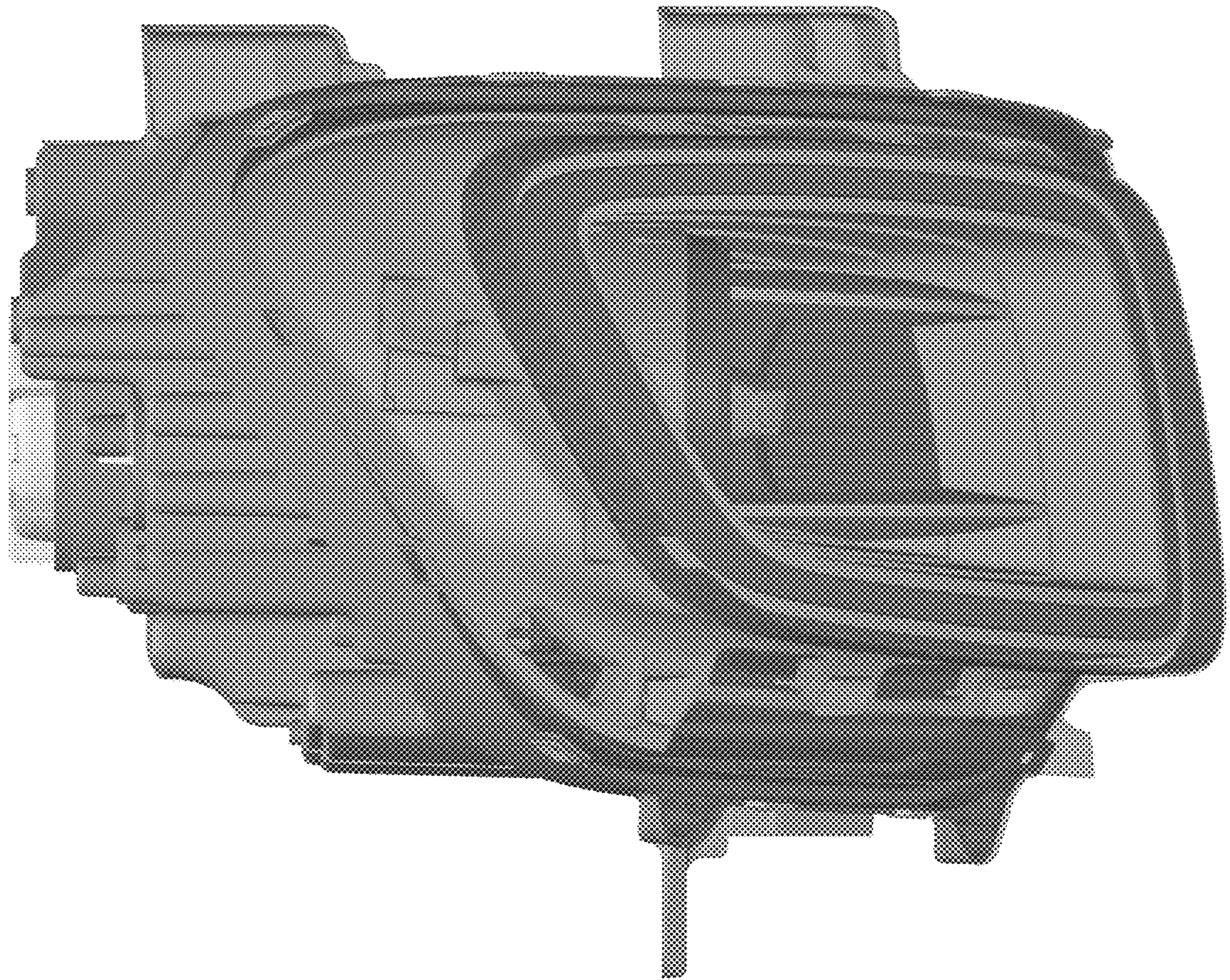
1.3



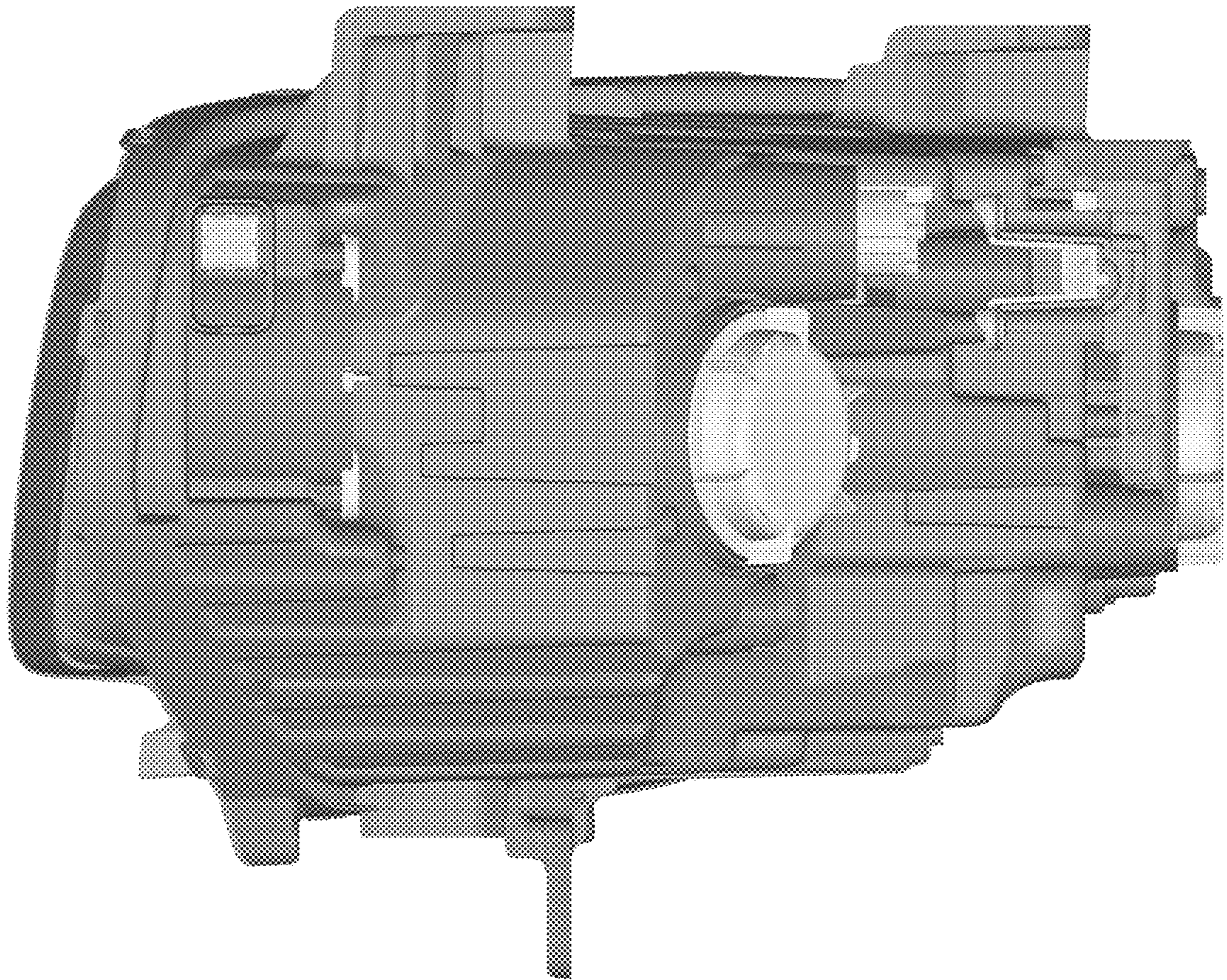
1.4



1.5



1.6



1.7

