



US00D902456S

(12) **United States Design Patent**  
**Nordmann**

(10) **Patent No.:** **US D902,456 S**

(45) **Date of Patent:** **\*\* Nov. 17, 2020**

(54) **TAILLIGHT FOR A VEHICLE**  
(71) Applicant: **Bayerische Motoren Werke**  
**Aktiengesellschaft, Munich (DE)**

D756,002 S \* 5/2016 Tsuchie ..... D26/28  
D756,003 S \* 5/2016 Kong ..... D26/28  
D764,083 S \* 8/2016 Davidson ..... D26/28  
D768,319 S \* 10/2016 Wheel ..... D26/28  
D769,485 S \* 10/2016 Morikawa ..... D26/28

(72) Inventor: **Christoph Nordmann, Munich (DE)**

**FOREIGN PATENT DOCUMENTS**

(73) Assignee: **Bayerische Motoren Werke**  
**Aktiengesellschaft, Munich (DE)**

WO WO DM/092771 3/2017  
WO WO DM/099114 6/2018  
WO WO DM/202728 5/2019  
WO WO DM/202616 6/2019

(\*\*) Term: **15 Years**

\* cited by examiner

(21) Appl. No.: **29/705,753**

*Primary Examiner* — Marcus A Jackson

(22) Filed: **Sep. 16, 2019**

(74) *Attorney, Agent, or Firm* — Crowell & Moring LLP

(30) **Foreign Application Priority Data**

(57) **CLAIM**

Mar. 25, 2019 (DE) ..... 40 2019 100 373

The ornamental design for a taillight for a vehicle, as shown and described.

(51) **LOC (12) Cl.** ..... **26-06**

**DESCRIPTION**

(52) **U.S. Cl.**  
USPC ..... **D26/28**

(58) **Field of Classification Search**  
USPC ..... D26/28-36, 139  
CPC ..... F21S 48/00; F21S 48/10; F21S 48/115;  
F21S 48/225; F21S 48/1233; F21S  
48/1266; F21S 48/1388; F21S 48/2268;  
F21V 21/04; F21V 29/004; B60Q 9/13;  
B60Q 9/135; B60Q 9/1375  
See application file for complete search history.

This application contains subject matter related to the following co-pending U.S. design patent applications:

Application Ser. No. 29/694,277, filed Jun. 10, 2019 and entitled "Taillight for a Vehicle"; and

Application Ser. No. 29/705,755, filed herewith and entitled "Vehicle, Toy, and/or Replicas Thereof".

FIG. 1 is a front view of a taillight for a vehicle according to the design;

FIG. 2 is a bottom, left perspective view thereof;

FIG. 3 is a top, right perspective view thereof;

FIG. 4 is a left side view thereof;

FIG. 5 is a right side view thereof;

FIG. 6 is a top view thereof;

FIG. 7 is a bottom view thereof; and,

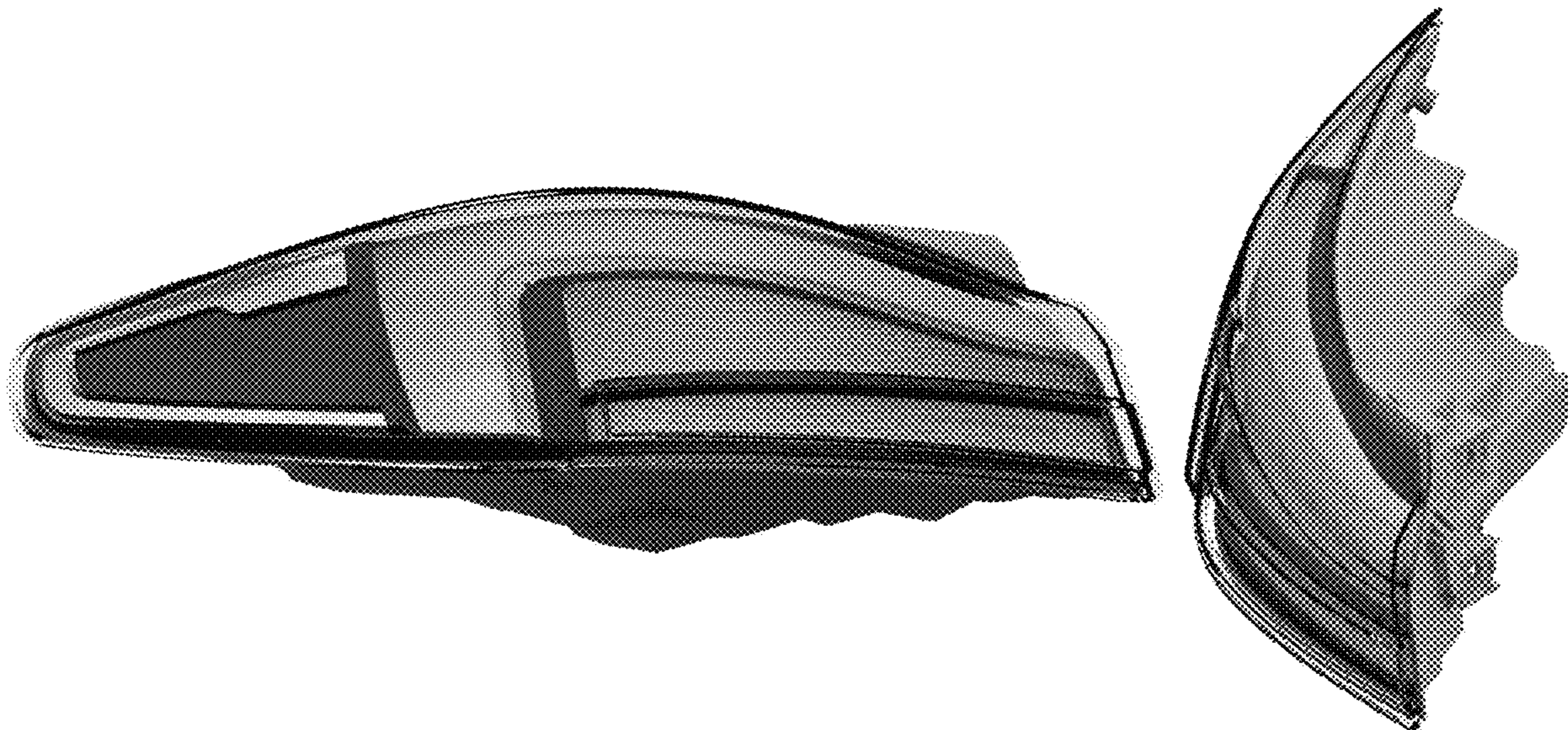
FIG. 8 is a rear view thereof.

(56) **References Cited**

**U.S. PATENT DOCUMENTS**

D678,569 S \* 3/2013 Brendel ..... D26/28  
D679,432 S \* 4/2013 Frenzel ..... D26/28  
D738,550 S \* 9/2015 Diephuis ..... D26/28  
D739,583 S \* 9/2015 Forsgren ..... D26/28

**1 Claim, 8 Drawing Sheets**



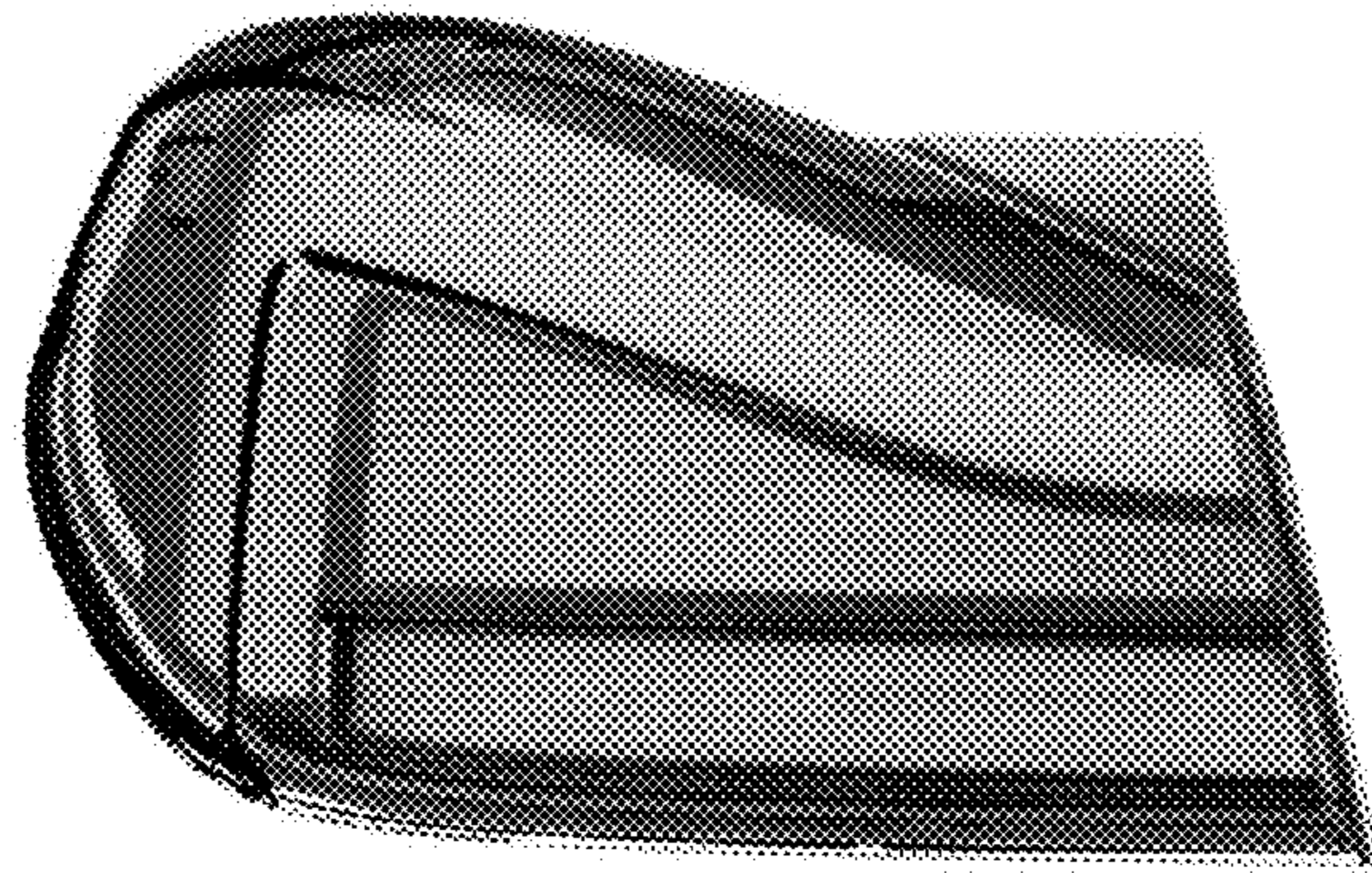


Fig. 1

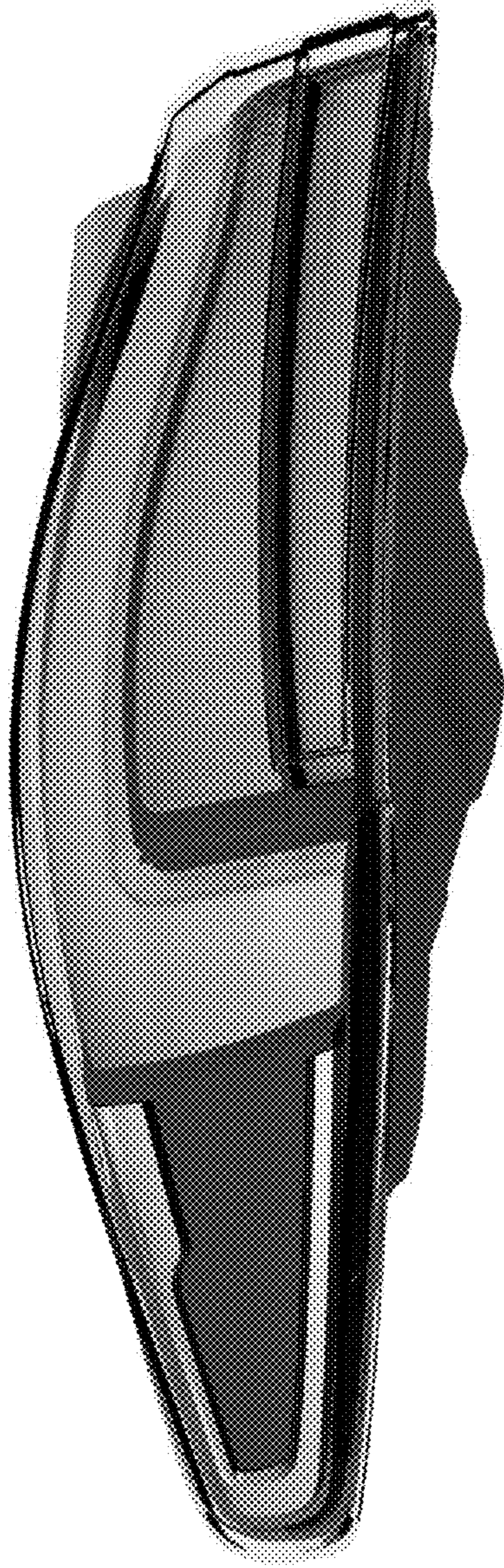


Fig. 2

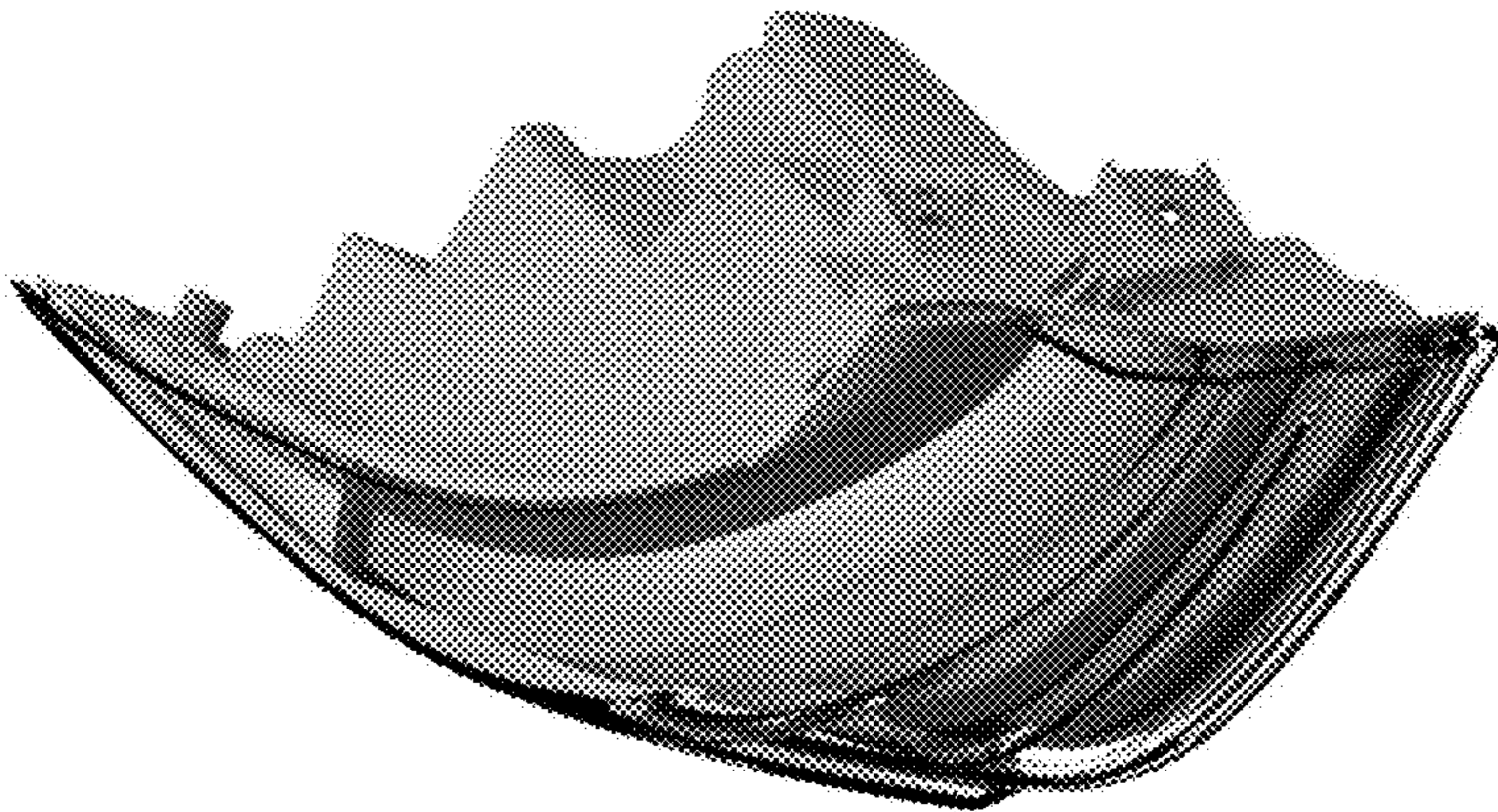


Fig. 3

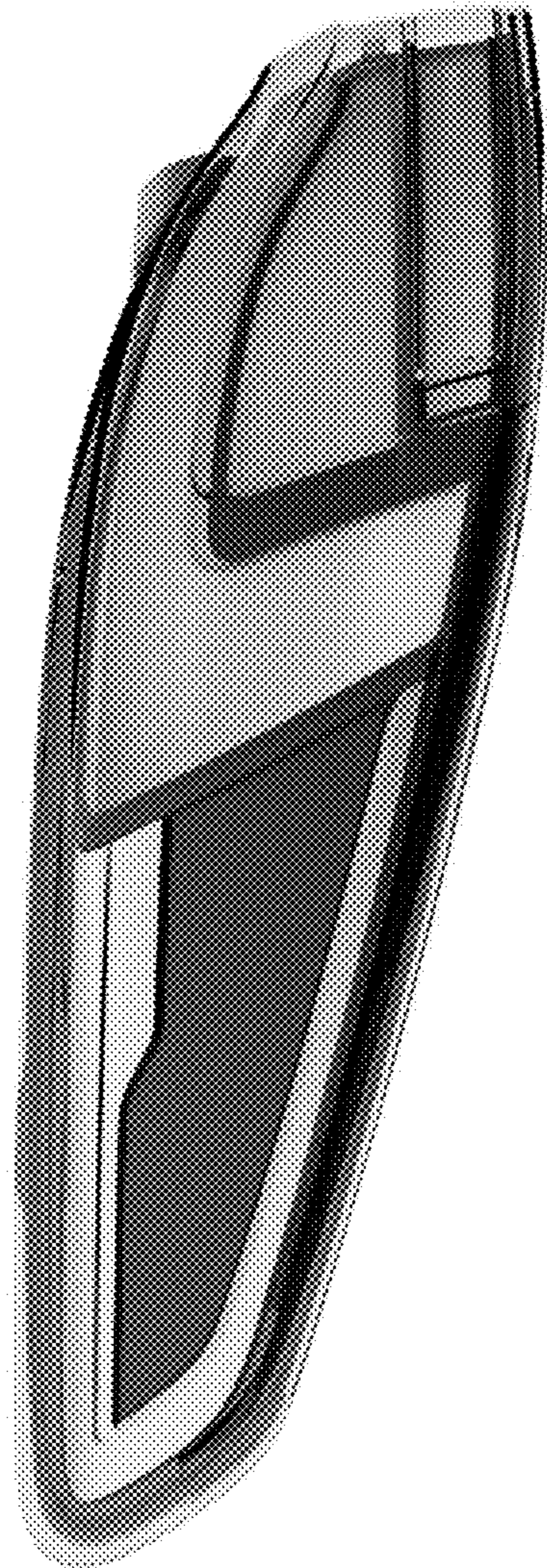


Fig. 4

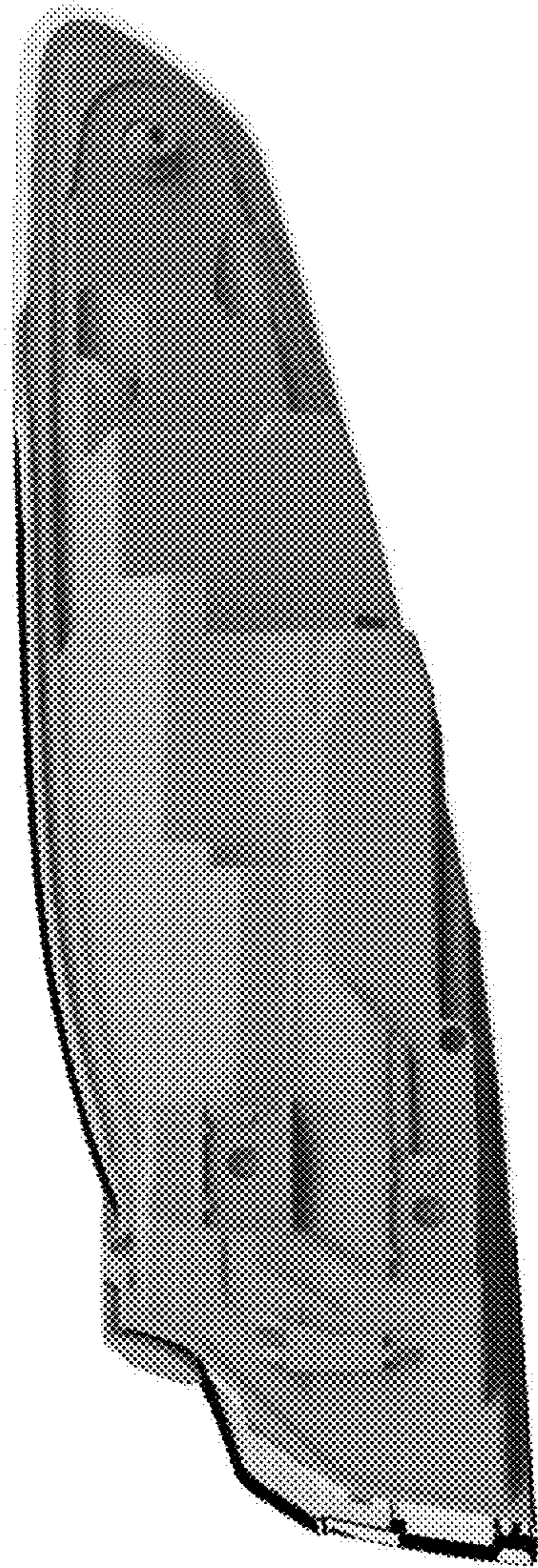


Fig. 5

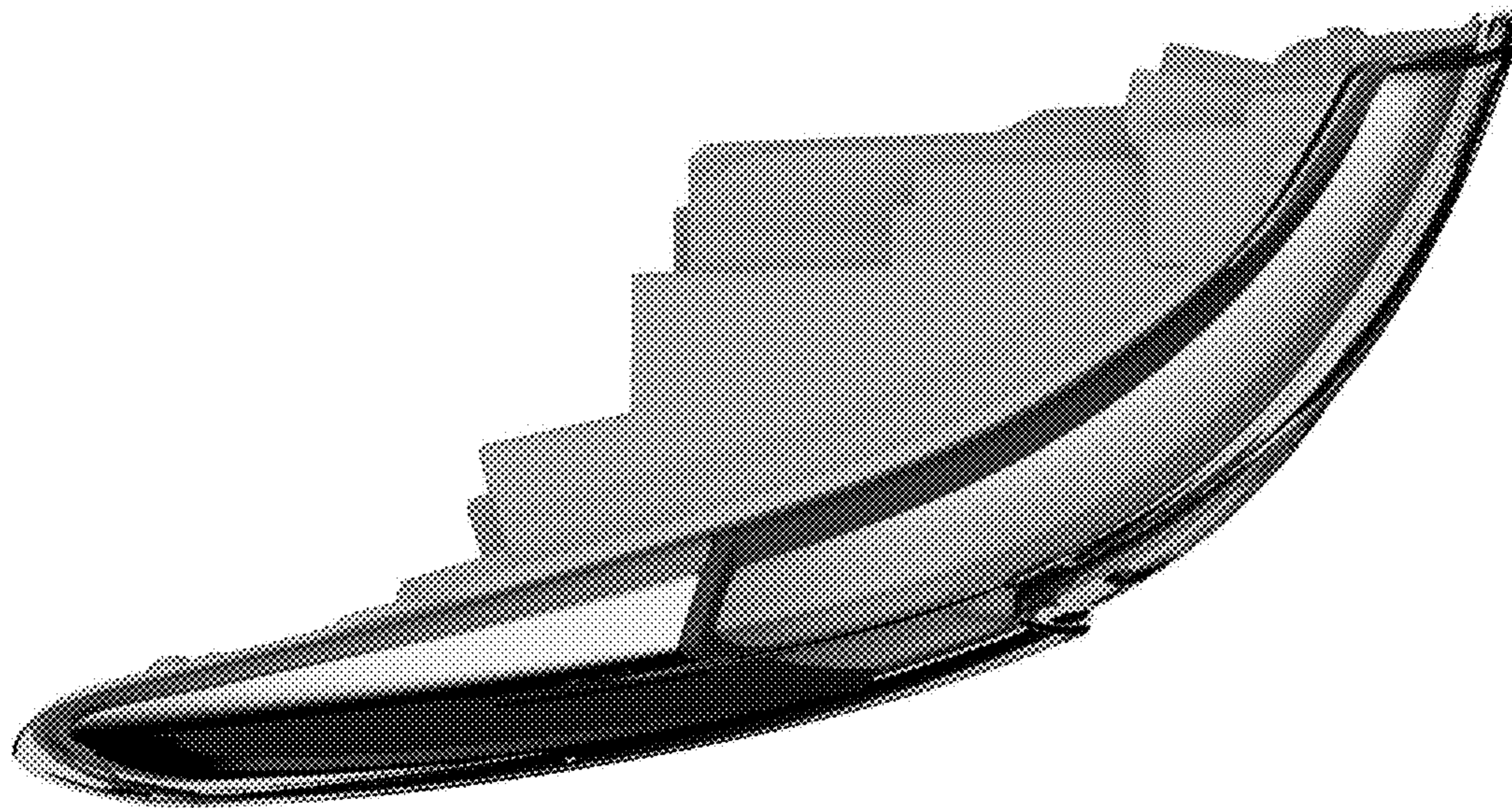


Fig. 6

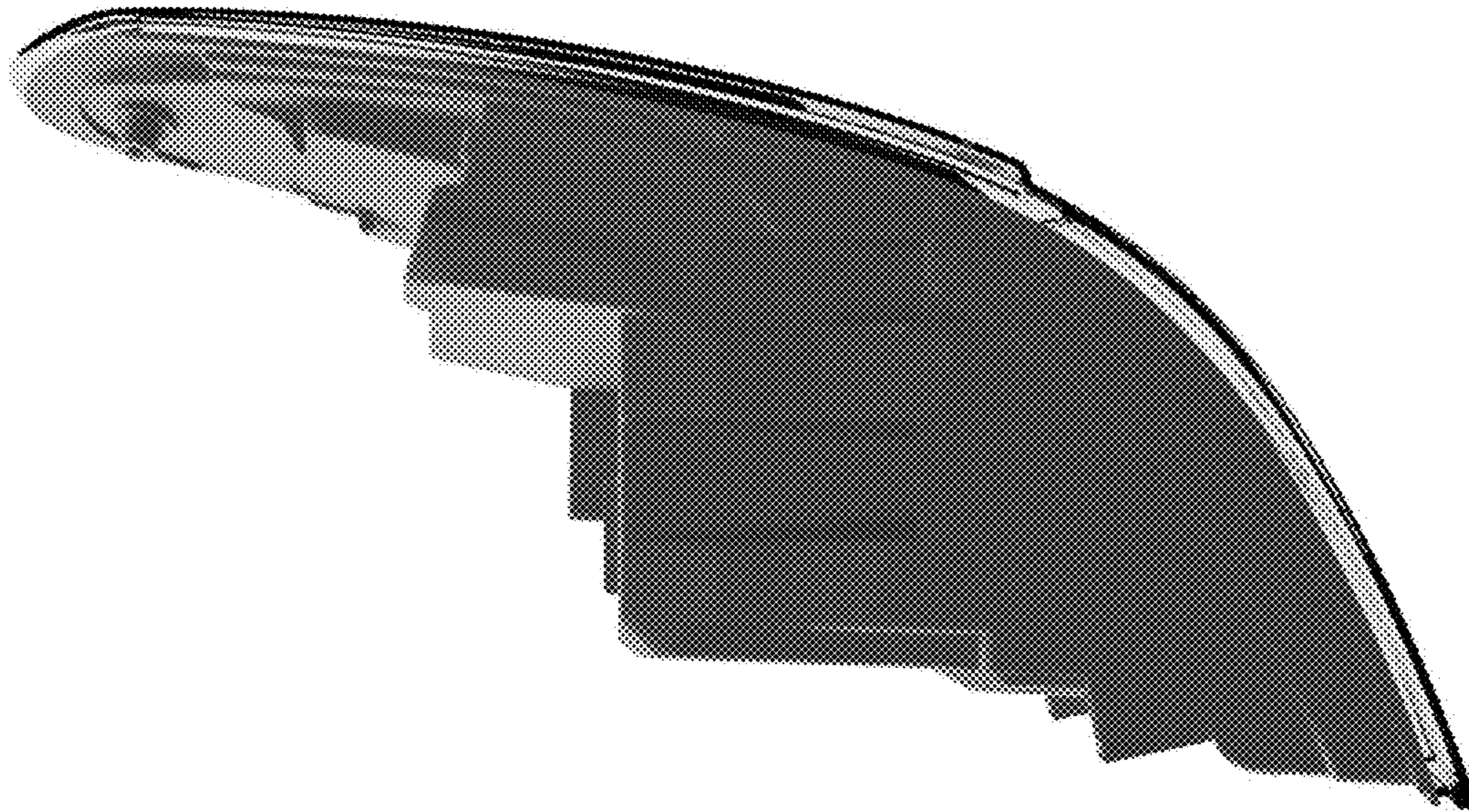


Fig. 7



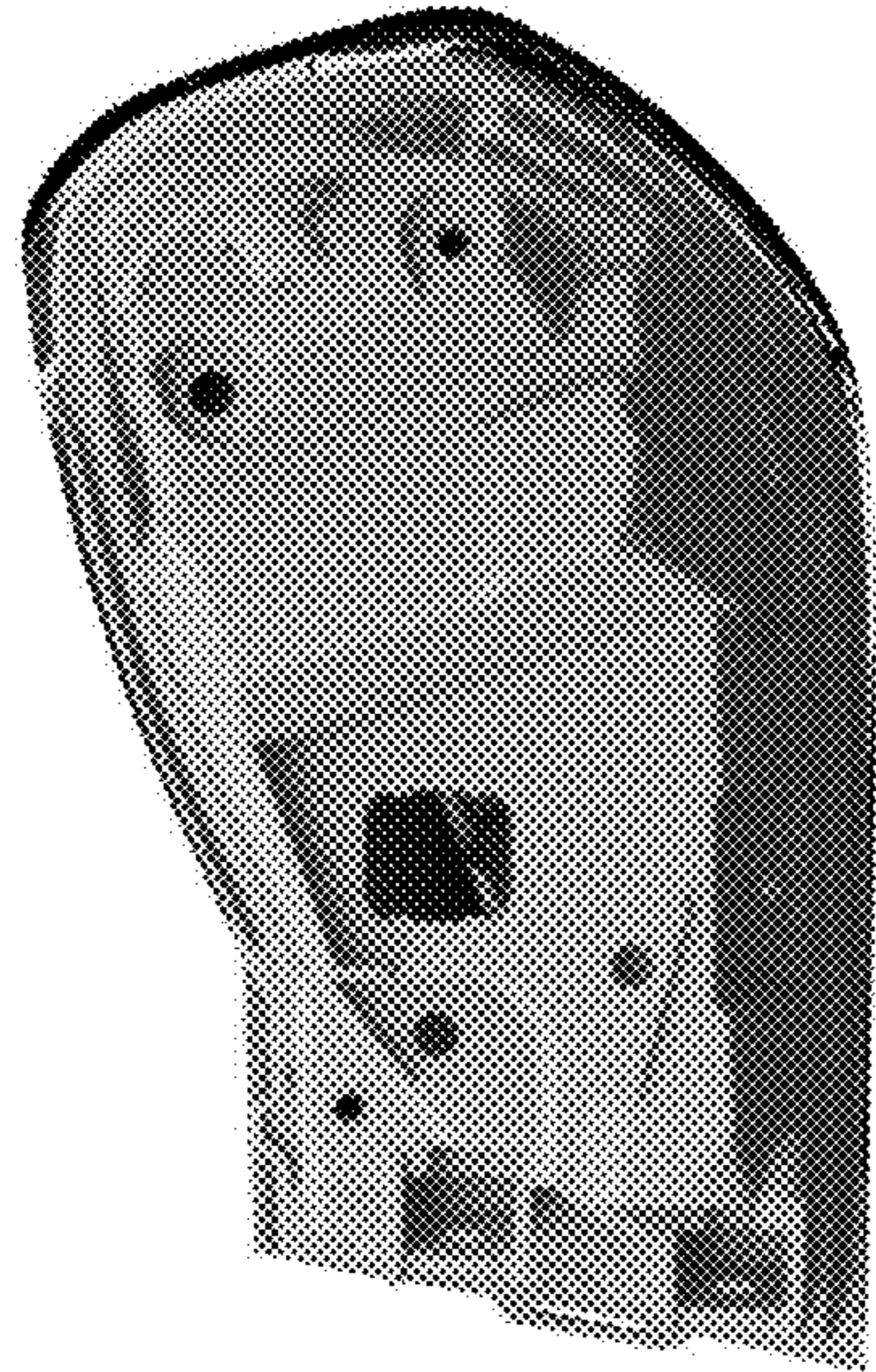


Fig. 8