

US00D902455S

(12) **United States Design Patent** (10) **Patent No.:** **US D902,455 S**
Lucas et al. (45) **Date of Patent:** **** Nov. 17, 2020**

(54) **VEHICLE HEADLIGHT**

(71) Applicant: **Ford Global Technologies, LLC,**
Dearborn, MI (US)

(72) Inventors: **Earl C. Lucas,** Southfield, MI (US);
Keith Rogman, Fenton, MI (US);
David Woodhouse, Troy, MI (US);
Solomon Song, Farmington Hills, MI
(US); **Viet Nguyen,** Madison Heights,
MI (US)

(73) Assignee: **Ford Global Technologies, LLC,**
Dearborn, MI (US)

(**) Term: **15 Years**

(21) Appl. No.: **29/701,715**

(22) Filed: **Aug. 14, 2019**

(51) **LOC (12) Cl.** **26-06**

(52) **U.S. Cl.**
USPC **D26/28**

(58) **Field of Classification Search**
USPC D26/28-36, 139
CPC F21S 48/00; F21S 48/10; F21S 48/115;
F21S 48/225; F21S 48/1233; F21S
48/1266; F21S 48/1388; F21S 48/2268;
F21V 21/04; F21V 29/004; B60Q 9/13;
B60Q 9/135; B60Q 9/1375
See application file for complete search history.

(56) **References Cited**

U.S. PATENT DOCUMENTS

D536,113 S	1/2007	Pfeiffer
D537,180 S	2/2007	Hsu
D558,906 S	1/2008	Golden
D612,961 S	3/2010	Lamm
D657,482 S	4/2012	Kong

D676,168 S	2/2013	Lai	
D708,375 S	* 7/2014	Endo	D26/28
D716,478 S	10/2014	Loeb	
D746,495 S	12/2015	Gorsten Schuenemann	
D760,408 S	* 6/2016	Arroba	D26/28
D765,894 S	9/2016	Lai	
D767,801 S	* 9/2016	Han	D26/28
D787,726 S	* 5/2017	Hong	D26/28
D796,715 S	9/2017	Lin	
D808,552 S	* 1/2018	Minamiyama	D26/28
D812,259 S	* 3/2018	Seo	D26/28
D814,081 S	3/2018	Ha	
D819,851 S	* 6/2018	Munakata	D26/28
D826,437 S	8/2018	Ito	
D829,947 S	* 10/2018	Jung	D26/28
D833,653 S	* 11/2018	Sakai	D26/28
D833,658 S	* 11/2018	Lee	D26/28
D835,308 S	12/2018	Metros	
D837,425 S	1/2019	Badstuebner	

* cited by examiner

Primary Examiner — Marcus A Jackson

(74) *Attorney, Agent, or Firm* — Vichit Chea

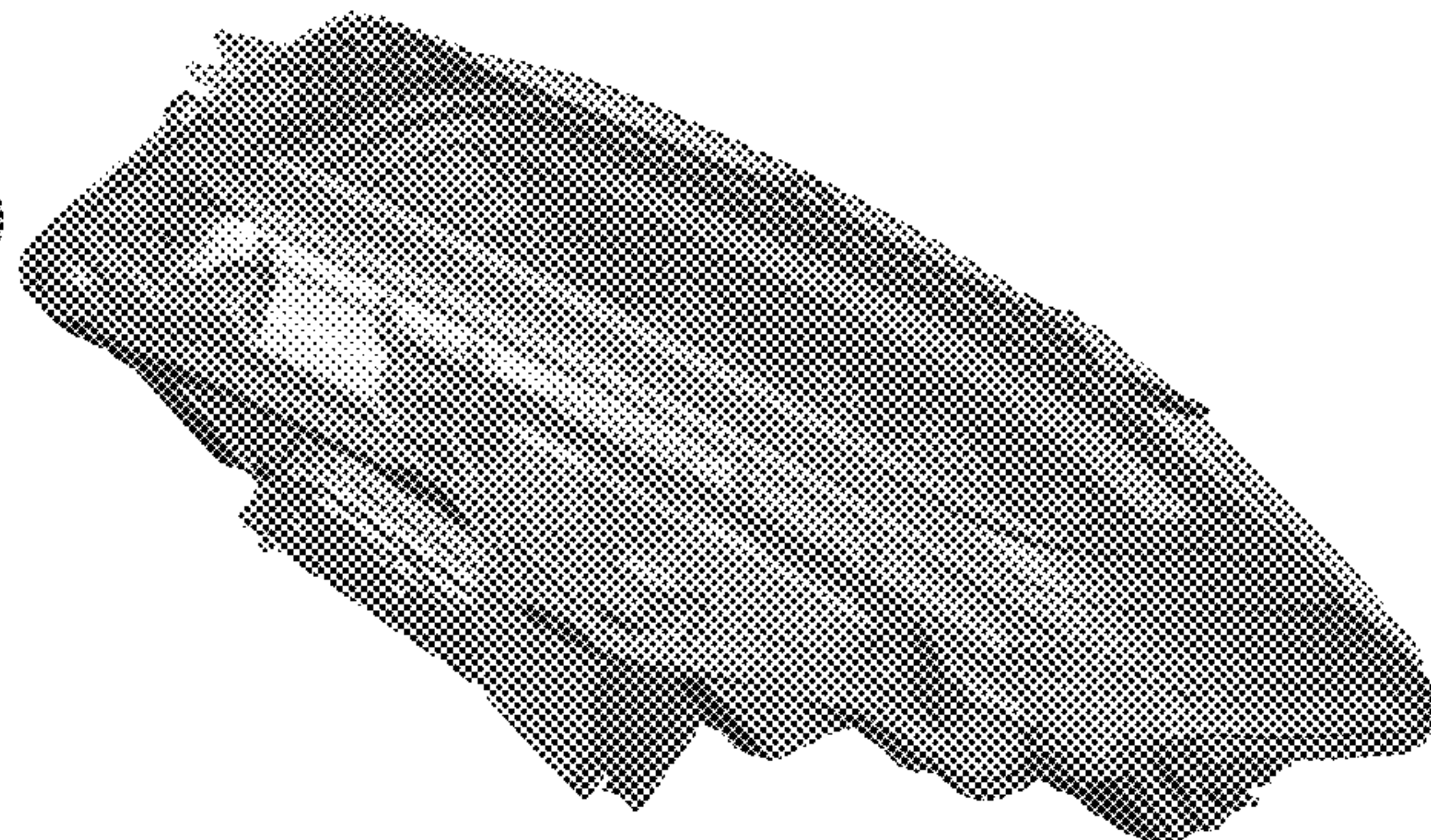
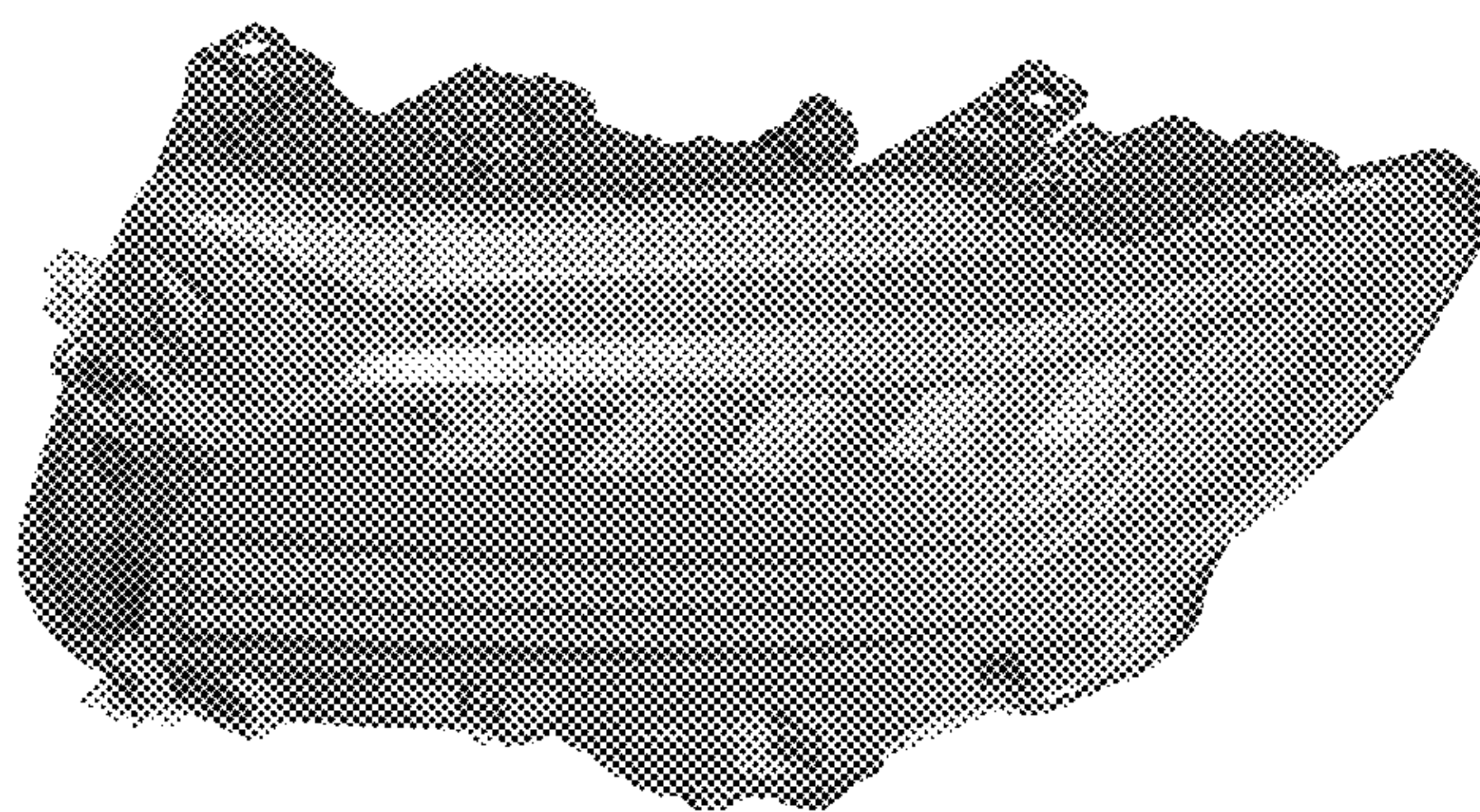
(57) **CLAIM**

The ornamental design for a vehicle headlight, as shown and described.

DESCRIPTION

FIG. 1 is a top, front, and left side perspective view a left vehicle headlight, showing our new design;
FIG. 2 is a bottom, front, and left side perspective view thereof;
FIG. 3 is a top, rear, and left side perspective view thereof;
FIG. 4 is a front elevational view thereof;
FIG. 5 is a rear elevational view thereof;
FIG. 6 is a left side elevational view thereof;
FIG. 7 is a right side elevational view thereof;
FIG. 8 is a top plan view thereof; and,
FIG. 9 is a bottom plan view thereof.

1 Claim, 9 Drawing Sheets



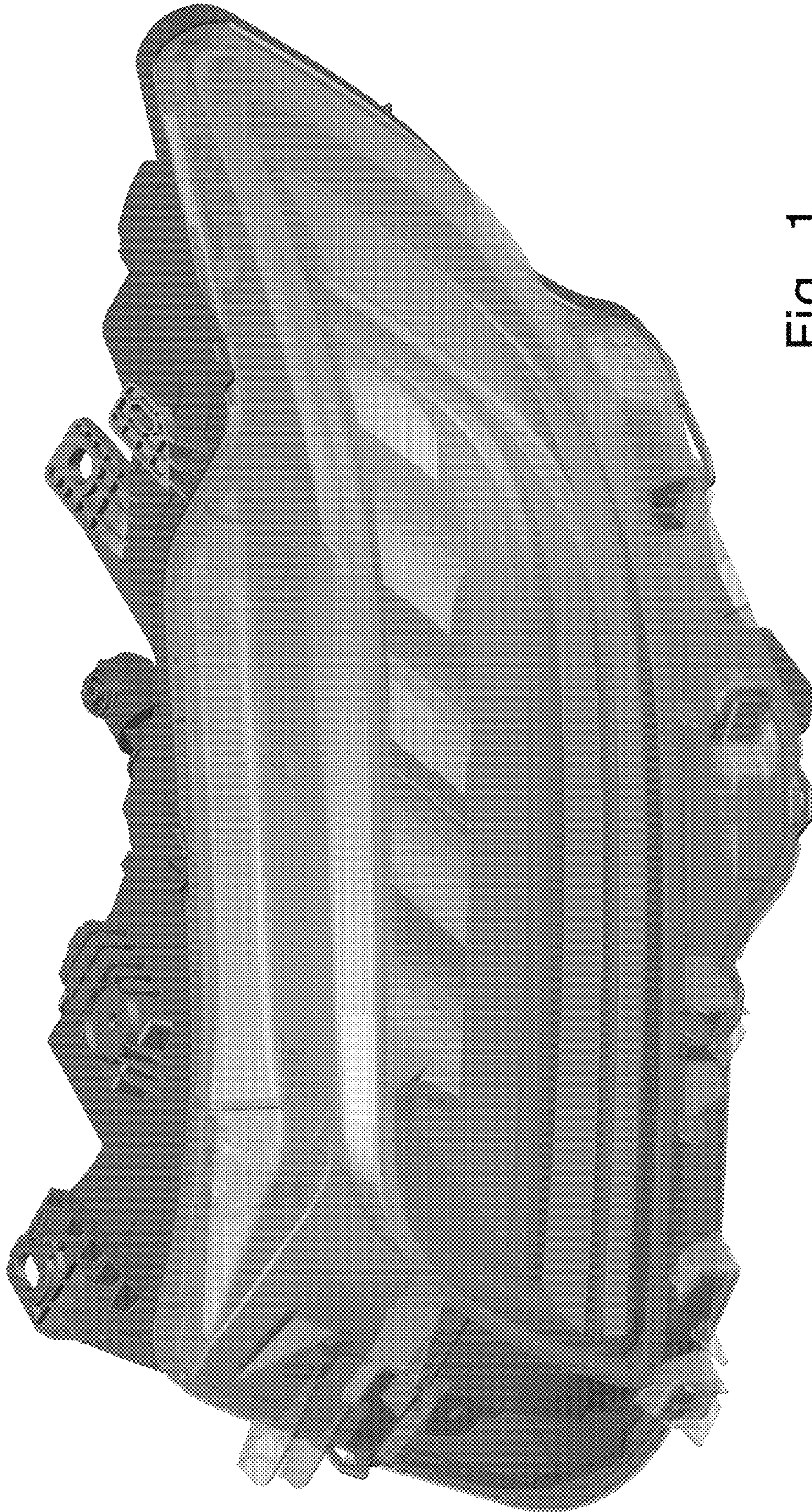


Fig. 1

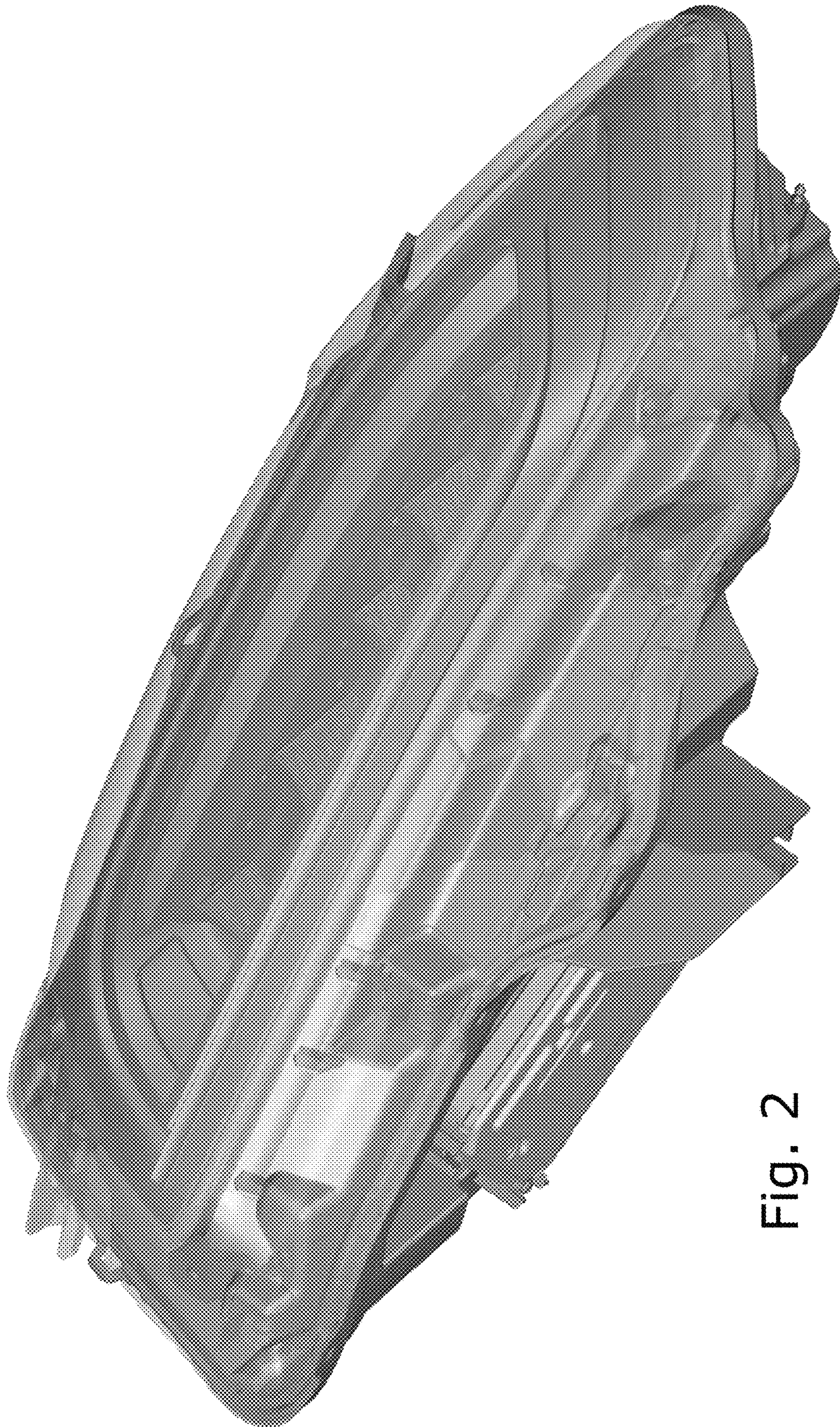


Fig. 2

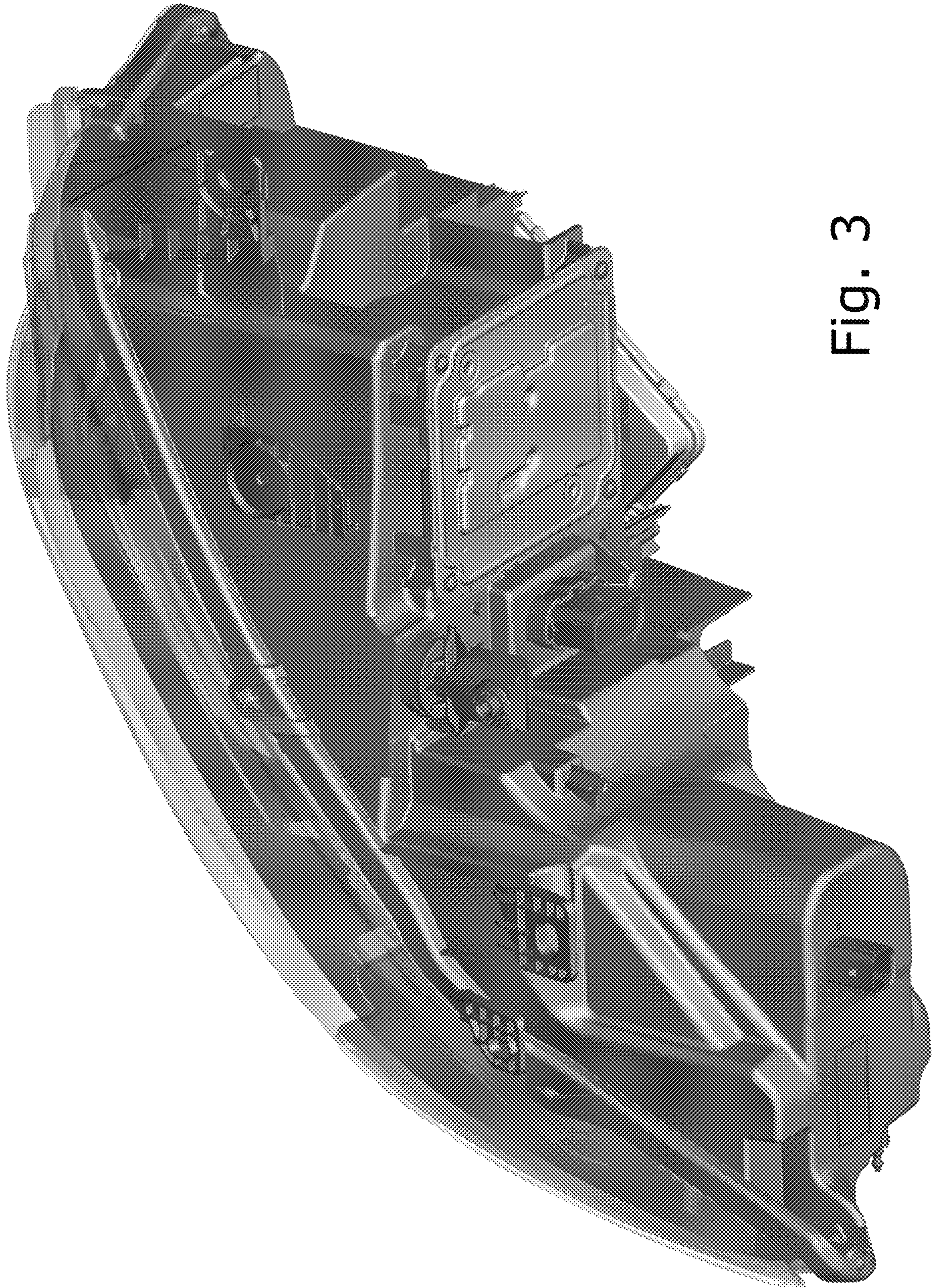


Fig. 3

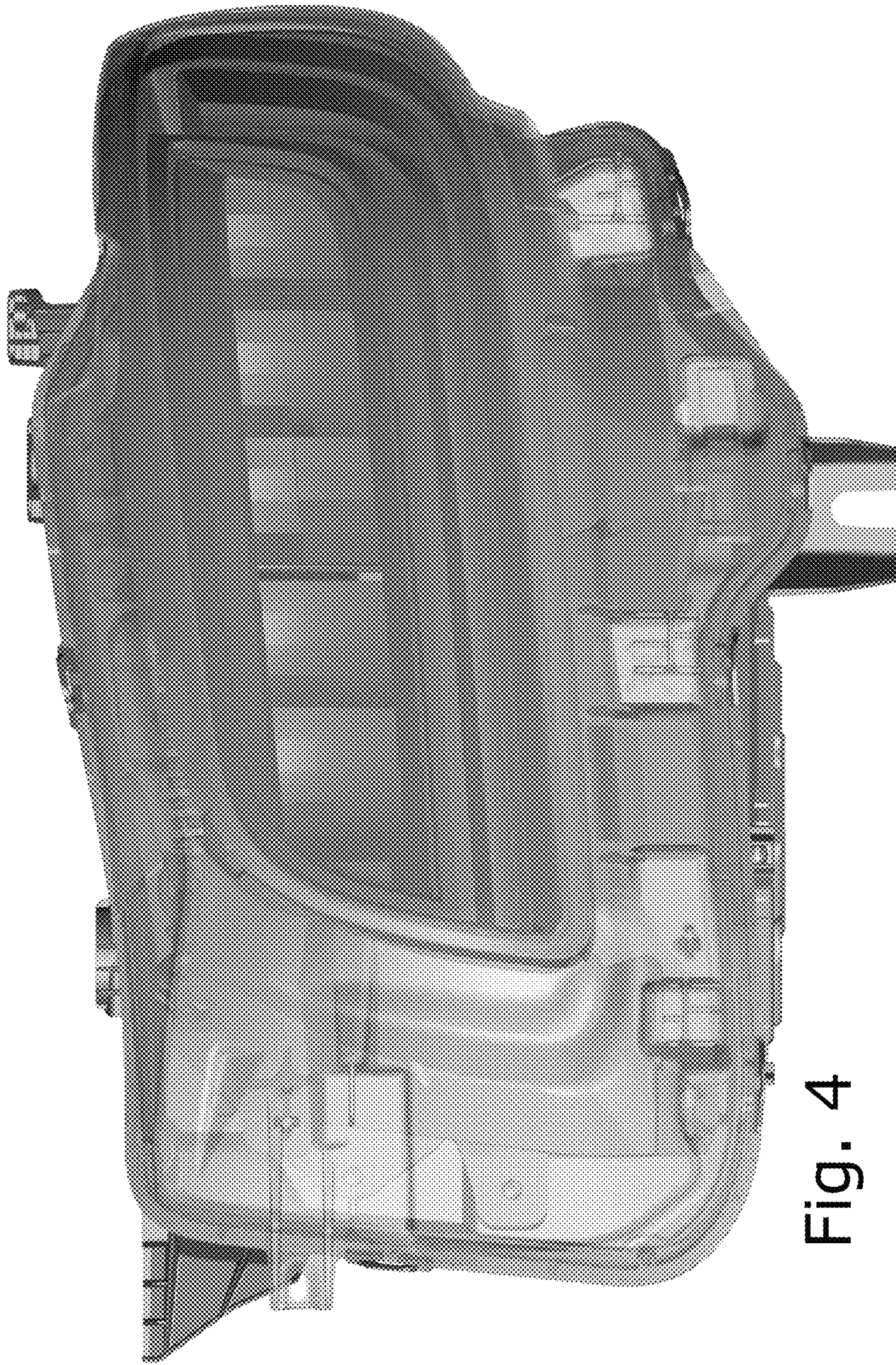


Fig. 4

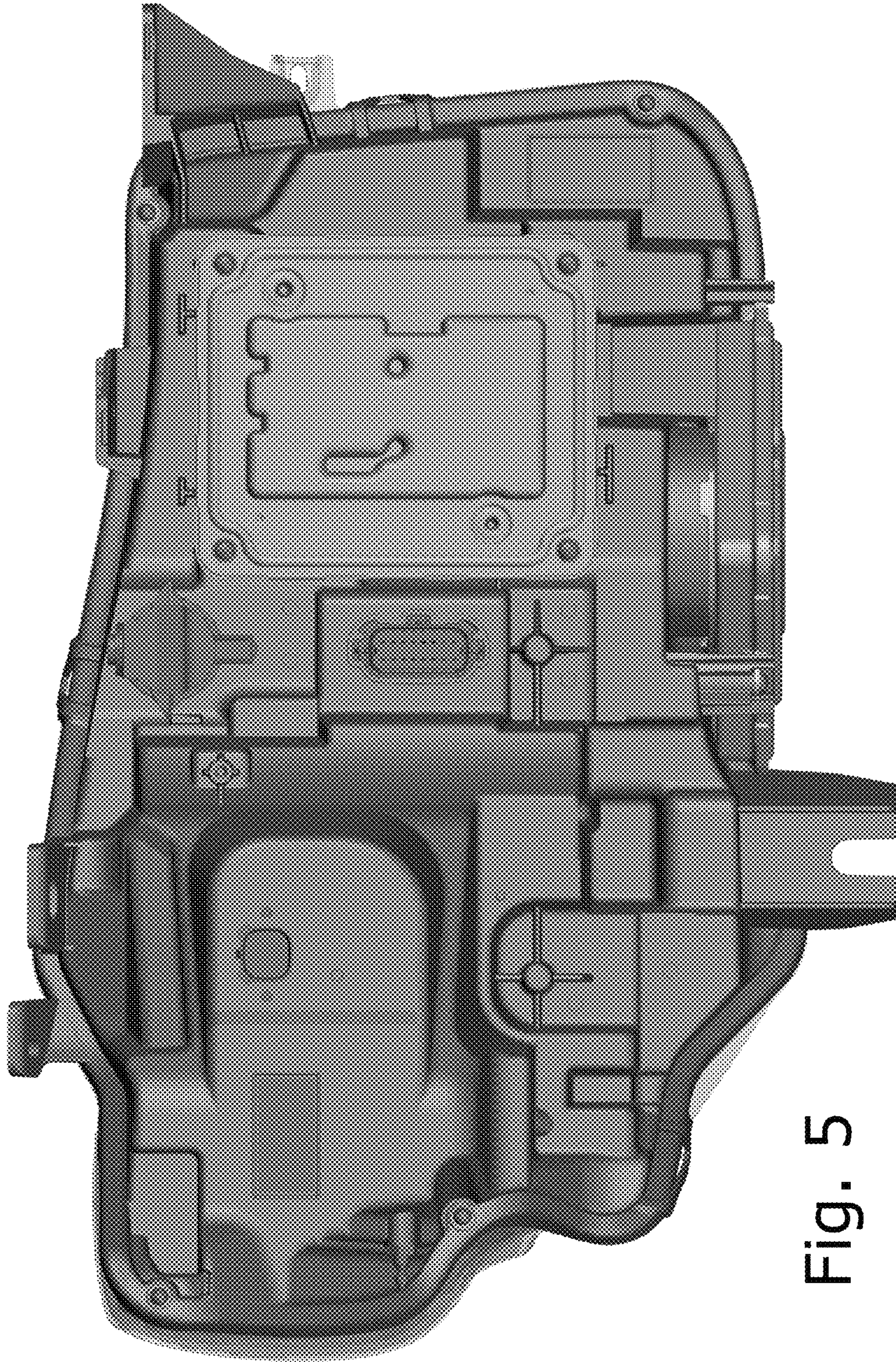


Fig. 5

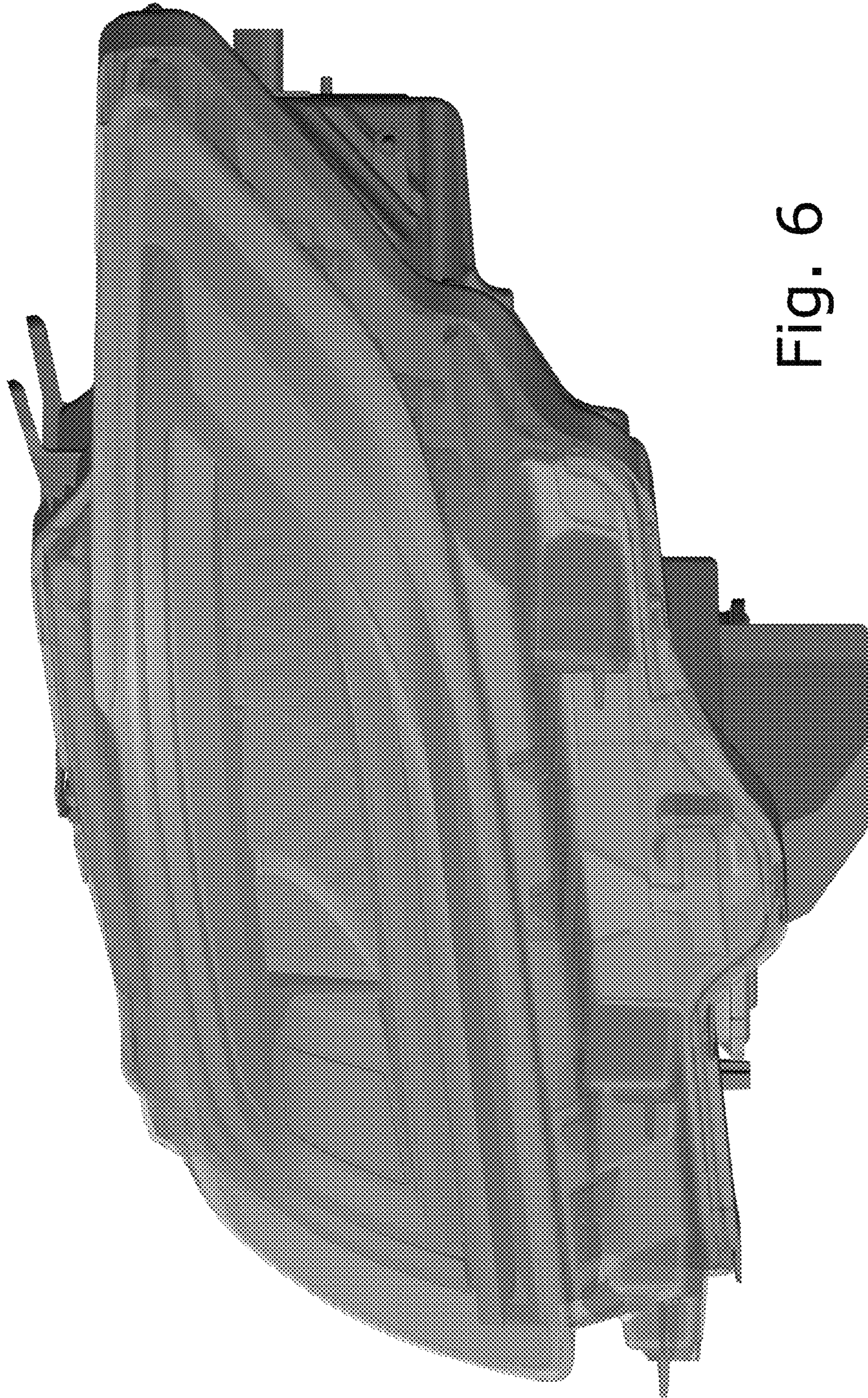


Fig. 6

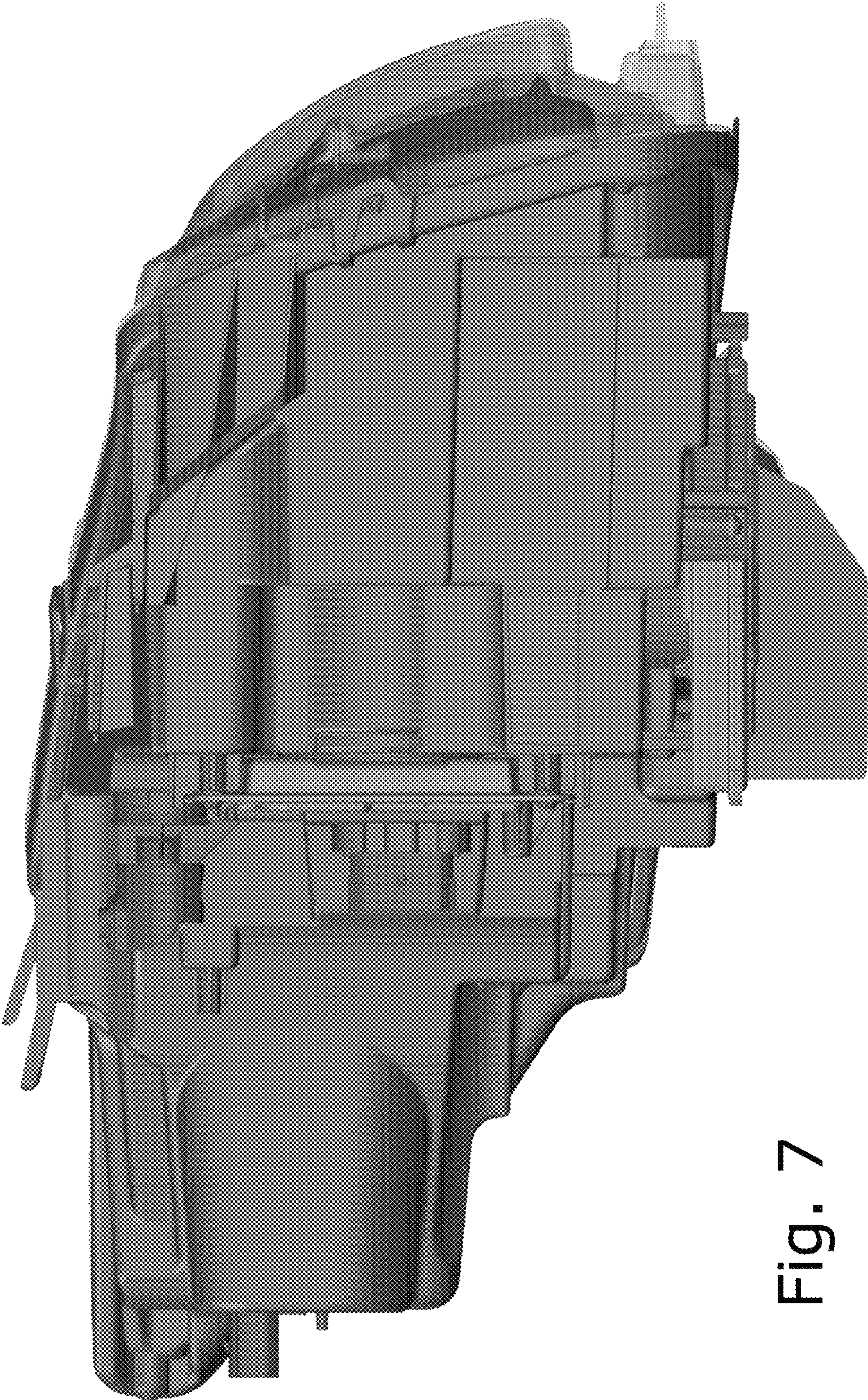


Fig. 7

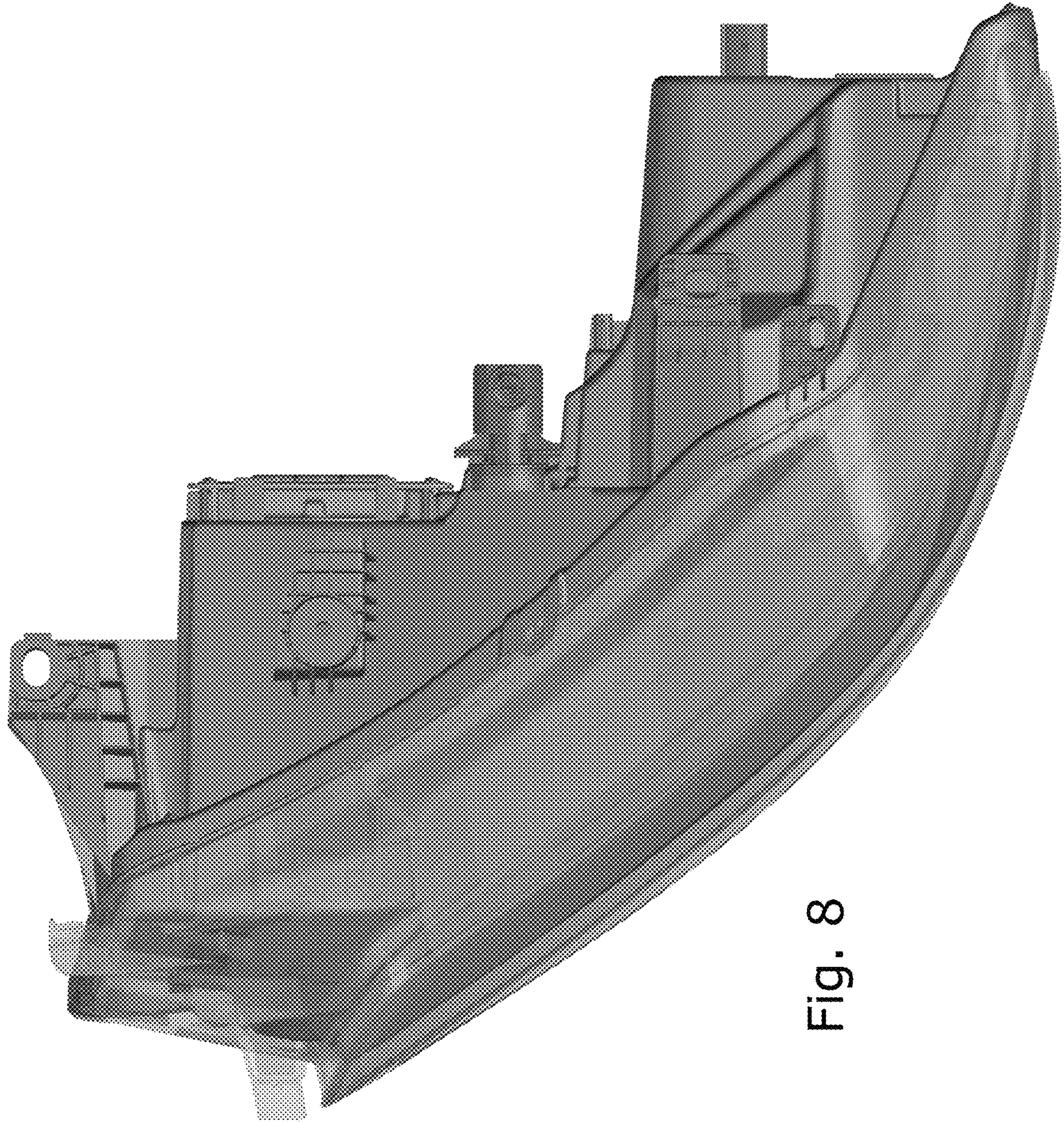


Fig. 8

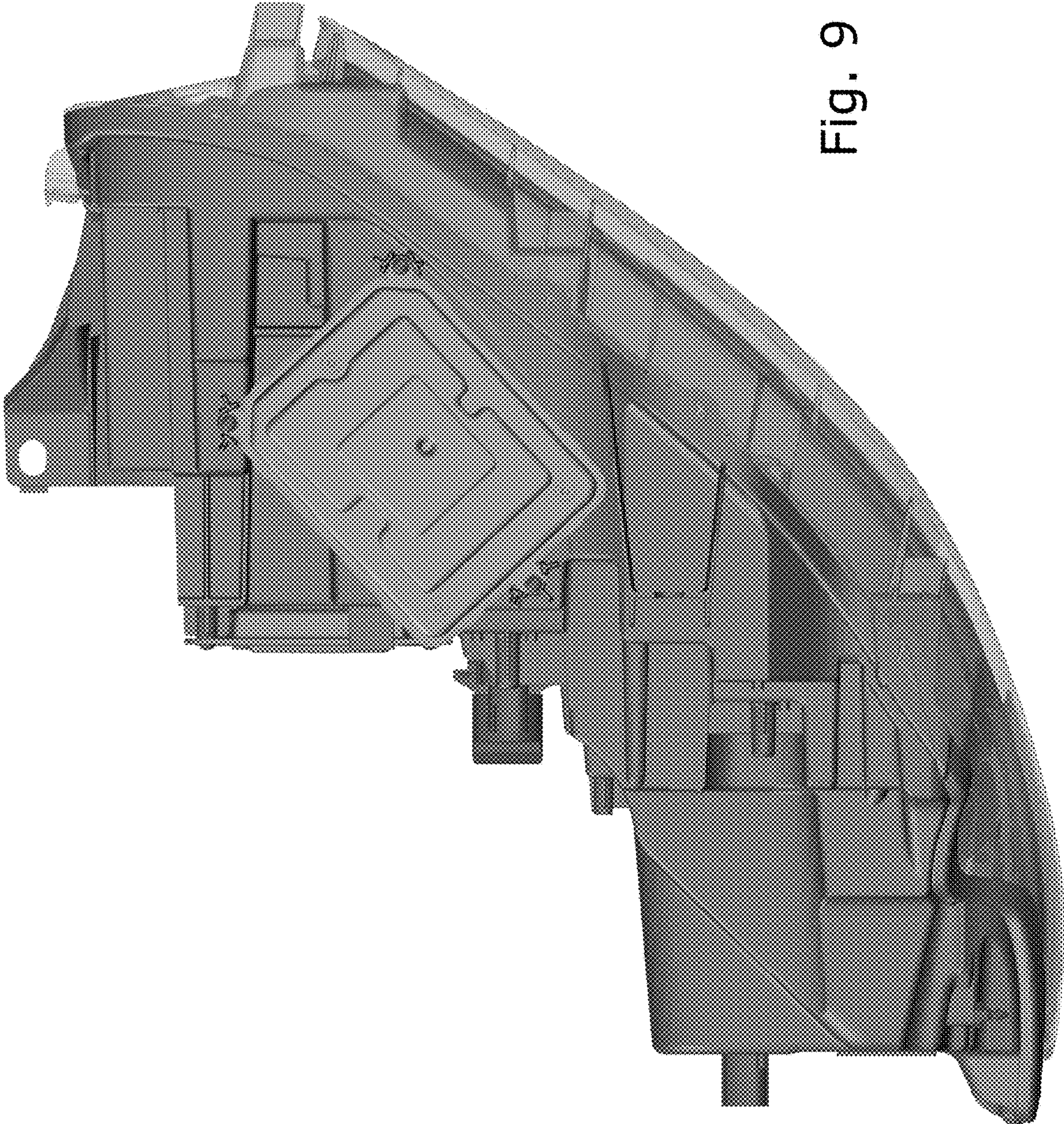


Fig. 9