



US00D902454S

(12) **United States Design Patent**
Lucas et al.

(10) **Patent No.:** **US D902,454 S**

(45) **Date of Patent:** **** Nov. 17, 2020**

(54) **VEHICLE HEADLIGHT**

(71) Applicant: **Ford Global Technologies, LLC,**
Dearborn, MI (US)

(72) Inventors: **Earl C. Lucas,** Southfield, MI (US);
Keith Rogman, Fenton, MI (US);
David Woodhouse, Troy, MI (US);
Solomon Song, Farmington Hills, MI
(US); **Viet Nguyen,** Madison Heights,
MI (US)

(73) Assignee: **Ford Global Technologies, LLC,**
Dearborn, MI (US)

(**) Term: **15 Years**

(21) Appl. No.: **29/701,714**

(22) Filed: **Aug. 14, 2019**

Related U.S. Application Data

(62) Division of application No. 29/624,505, filed on Nov.
1, 2017, now Pat. No. Des. 862,751.

(51) **LOC (12) Cl.** **26-06**

(52) **U.S. Cl.**
USPC **D26/28**

(58) **Field of Classification Search**

USPC D26/28-36, 139
CPC F21S 48/00; F21S 48/10; F21S 48/115;
F21S 48/225; F21S 48/1233; F21S
48/1266; F21S 48/1388; F21S 48/2268;
F21V 21/04; F21V 29/004; B60Q 9/13;
B60Q 9/135; B60Q 9/1375

See application file for complete search history.

(56) **References Cited**

U.S. PATENT DOCUMENTS

D536,113 S 1/2007 Pfeiffer
D537,180 S 2/2007 Hsu

D558,906 S 1/2008 Golden
D612,961 S 3/2010 Lamm
D657,482 S 4/2012 Kong
D676,168 S 2/2013 Lai
D708,375 S * 7/2014 Endo D26/28
D716,478 S 10/2014 Loeb
D740,463 S * 10/2015 Ko D26/28
D746,495 S 12/2015 Gorsten Schuenemann
D760,408 S * 6/2016 Arroba D26/28
D765,894 S 9/2016 Lai
D783,868 S * 4/2017 Munakata D26/28
D796,715 S 9/2017 Lin
D808,552 S * 1/2018 Minamiyama D26/28
D812,259 S * 3/2018 Seo D26/28
D814,080 S * 3/2018 Ha D26/28
D814,081 S 3/2018 Ha
D819,851 S * 6/2018 Munakata D26/28
D826,437 S 8/2018 Ito
D829,947 S * 10/2018 Jung D26/28

(Continued)

Primary Examiner — Marcus A Jackson

(74) *Attorney, Agent, or Firm* — Vichit Chea

(57)

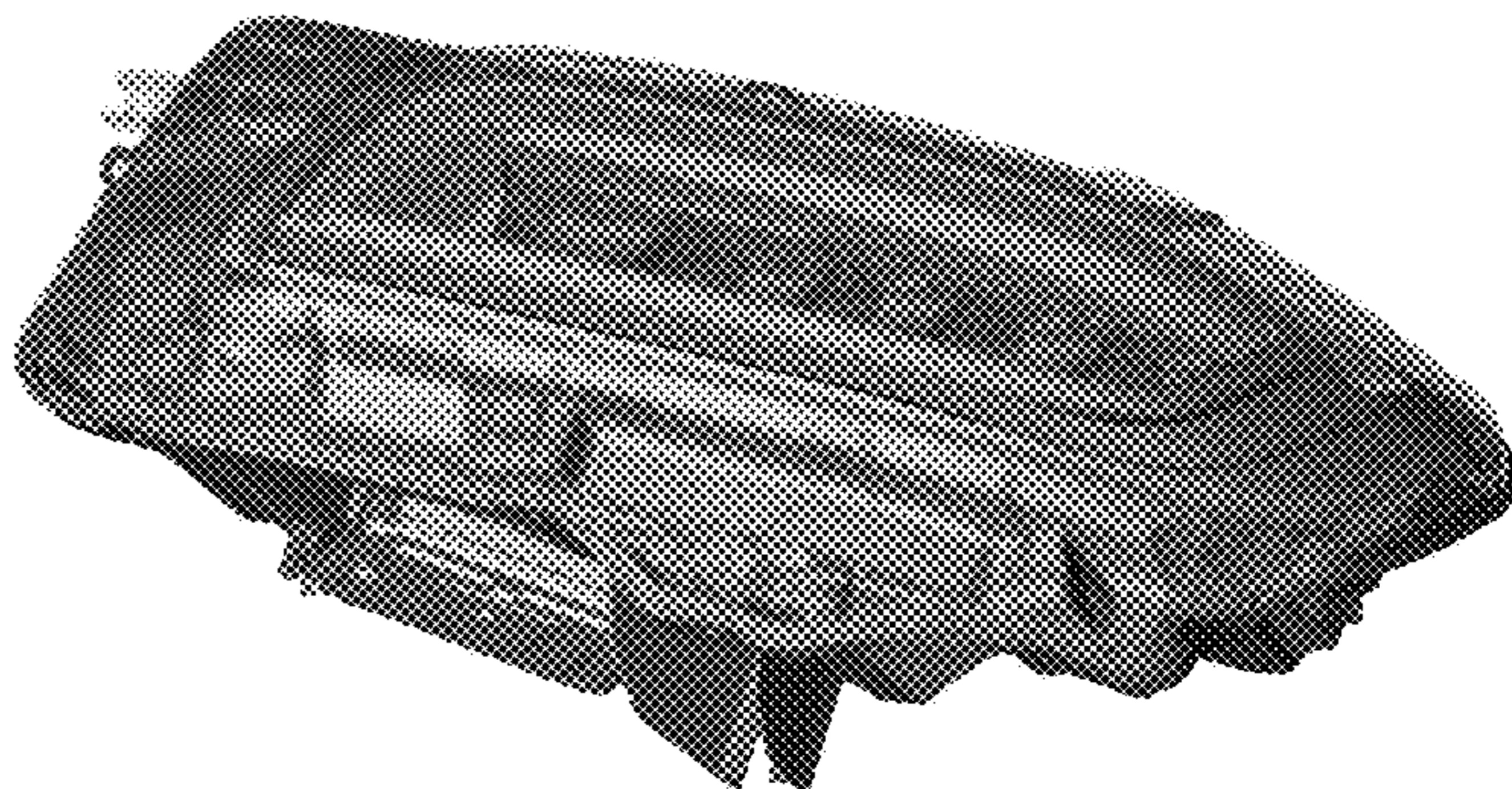
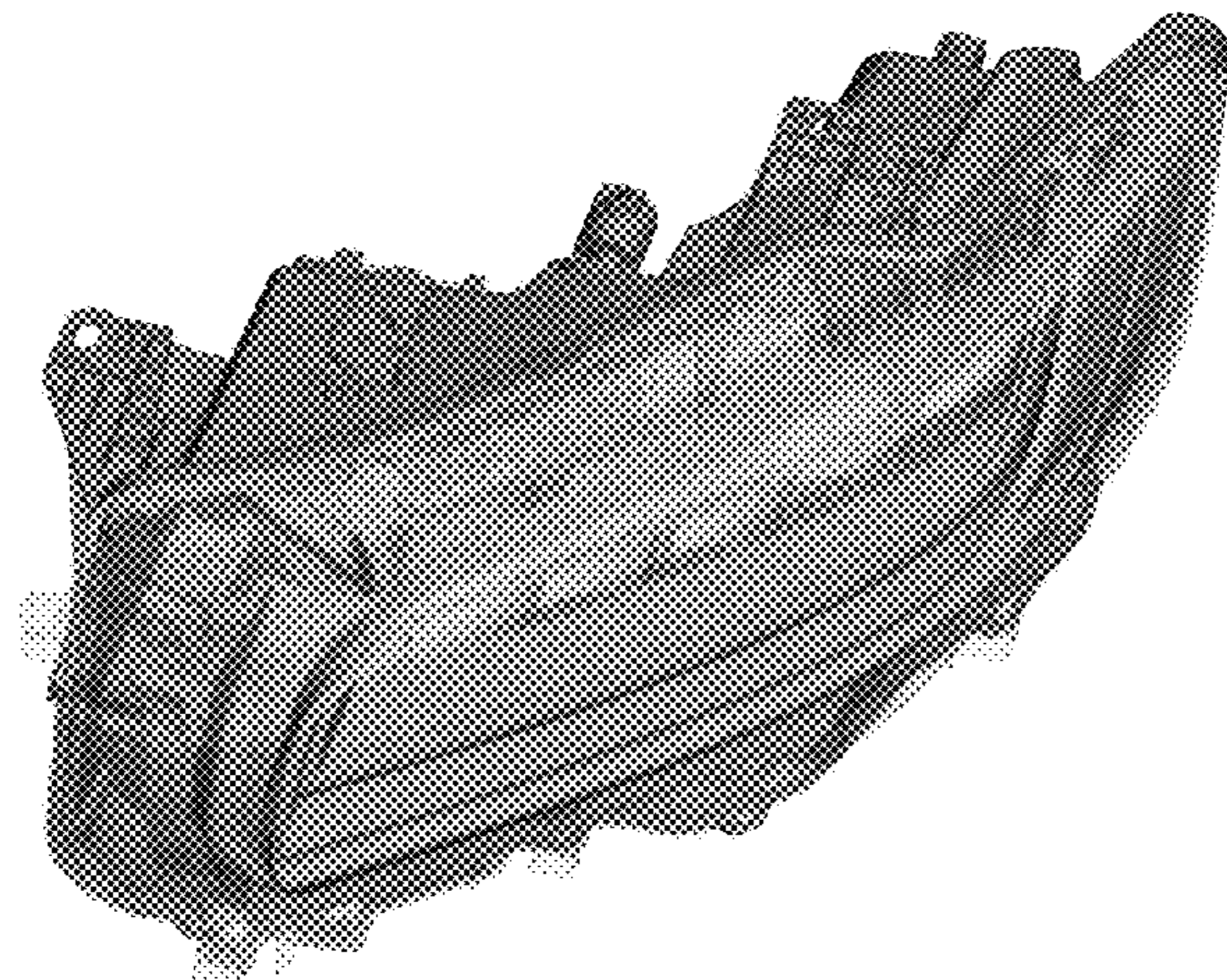
CLAIM

The ornamental design for a vehicle headlight, as shown and described.

DESCRIPTION

FIG. 1 is a top, front, and left side perspective view a left vehicle headlight, showing our new design;
FIG. 2 is a bottom, front, and left side perspective view thereof;
FIG. 3 is a top, rear, and left side perspective view thereof;
FIG. 4 is a front elevational view thereof;
FIG. 5 is a rear elevational view thereof;
FIG. 6 is a left side elevational view thereof;
FIG. 7 is a right side elevational view thereof;
FIG. 8 is a top plan view thereof; and,
FIG. 9 is a bottom plan view thereof.

1 Claim, 9 Drawing Sheets



(56)

References Cited

U.S. PATENT DOCUMENTS

D833,658 S * 11/2018 Lee D26/28
D835,308 S 12/2018 Metros
D837,425 S 1/2019 Badstuebner

* cited by examiner

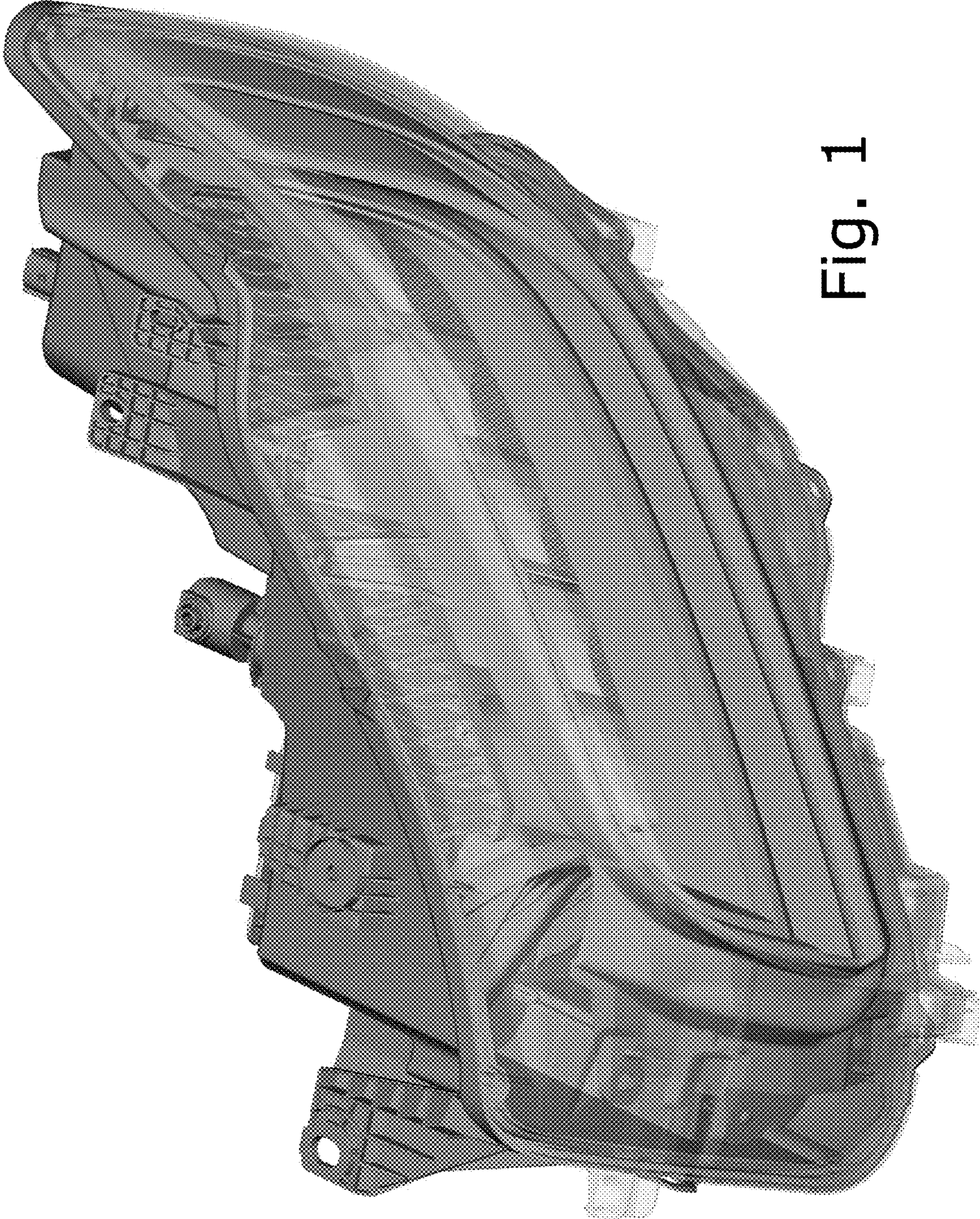


Fig. 1

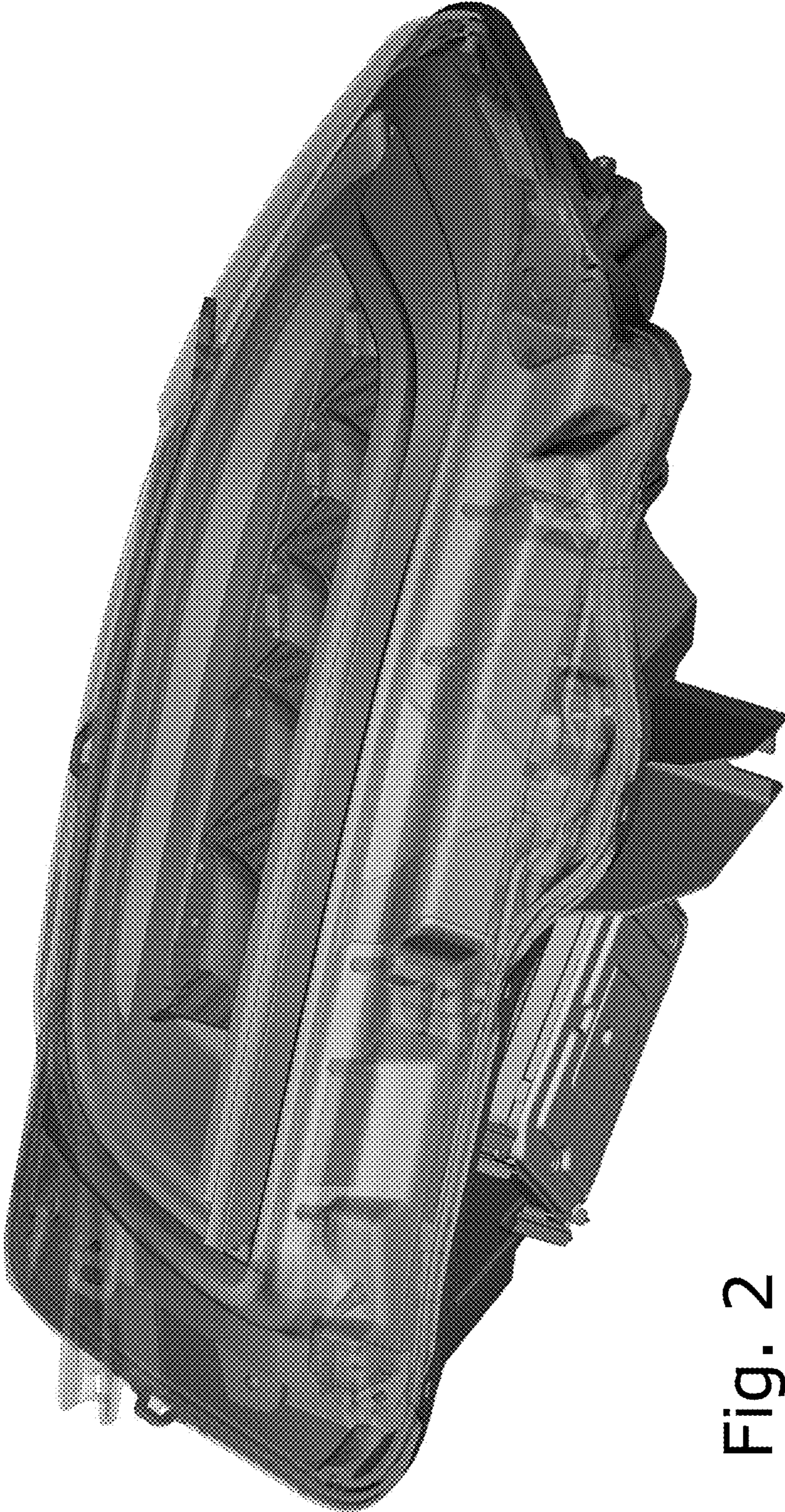


Fig. 2

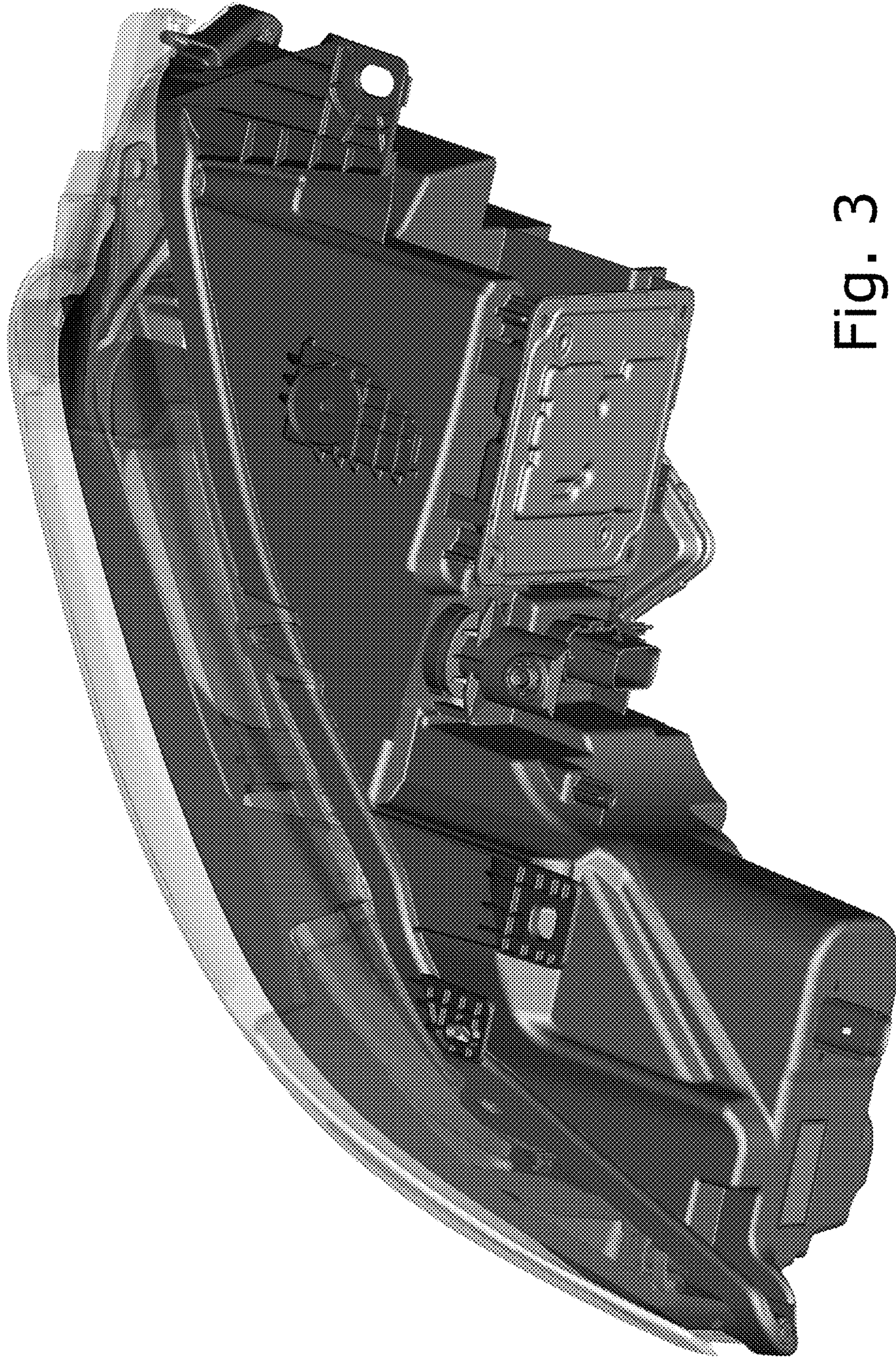


Fig. 3

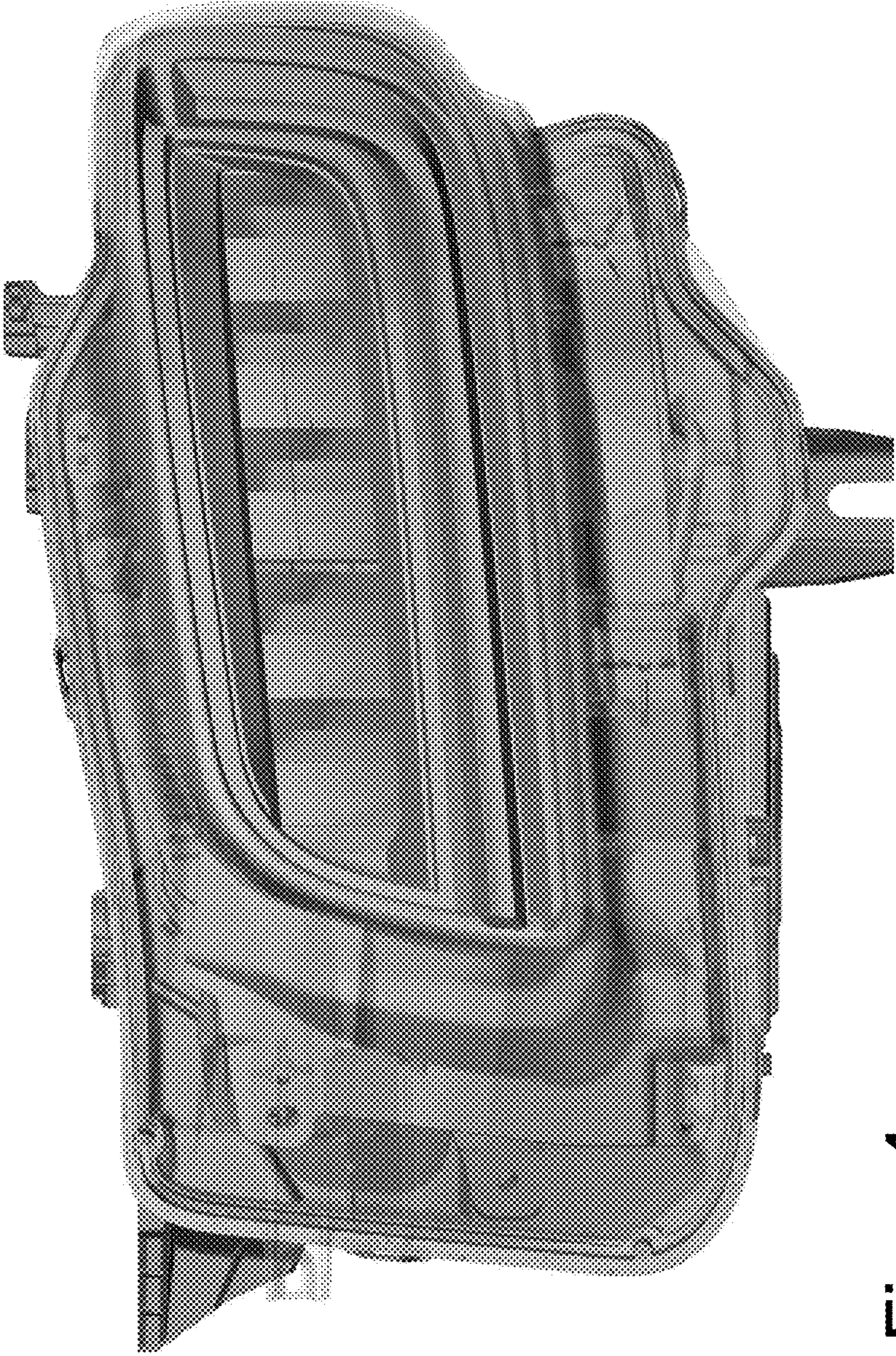


Fig. 4

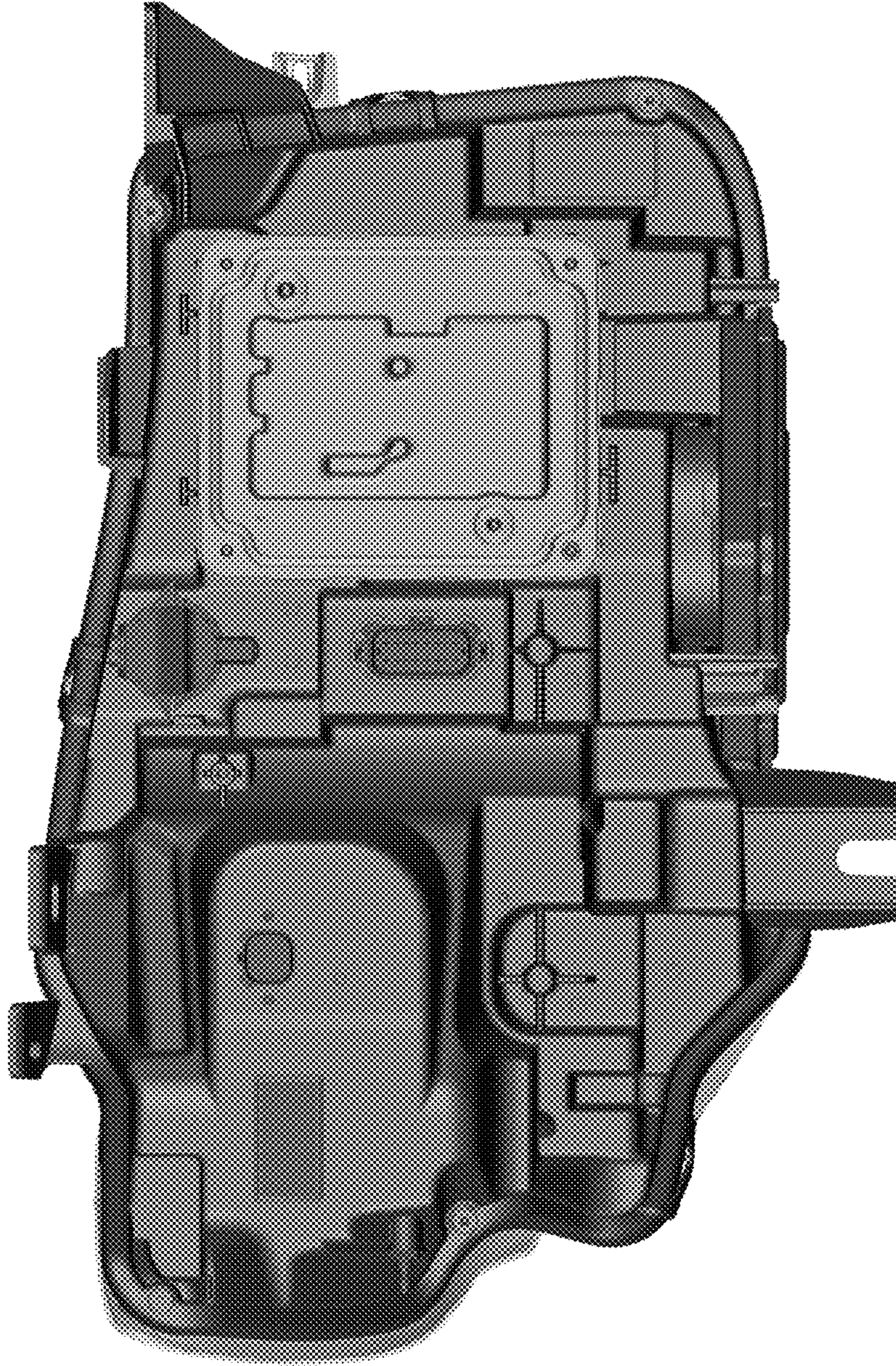


Fig. 5

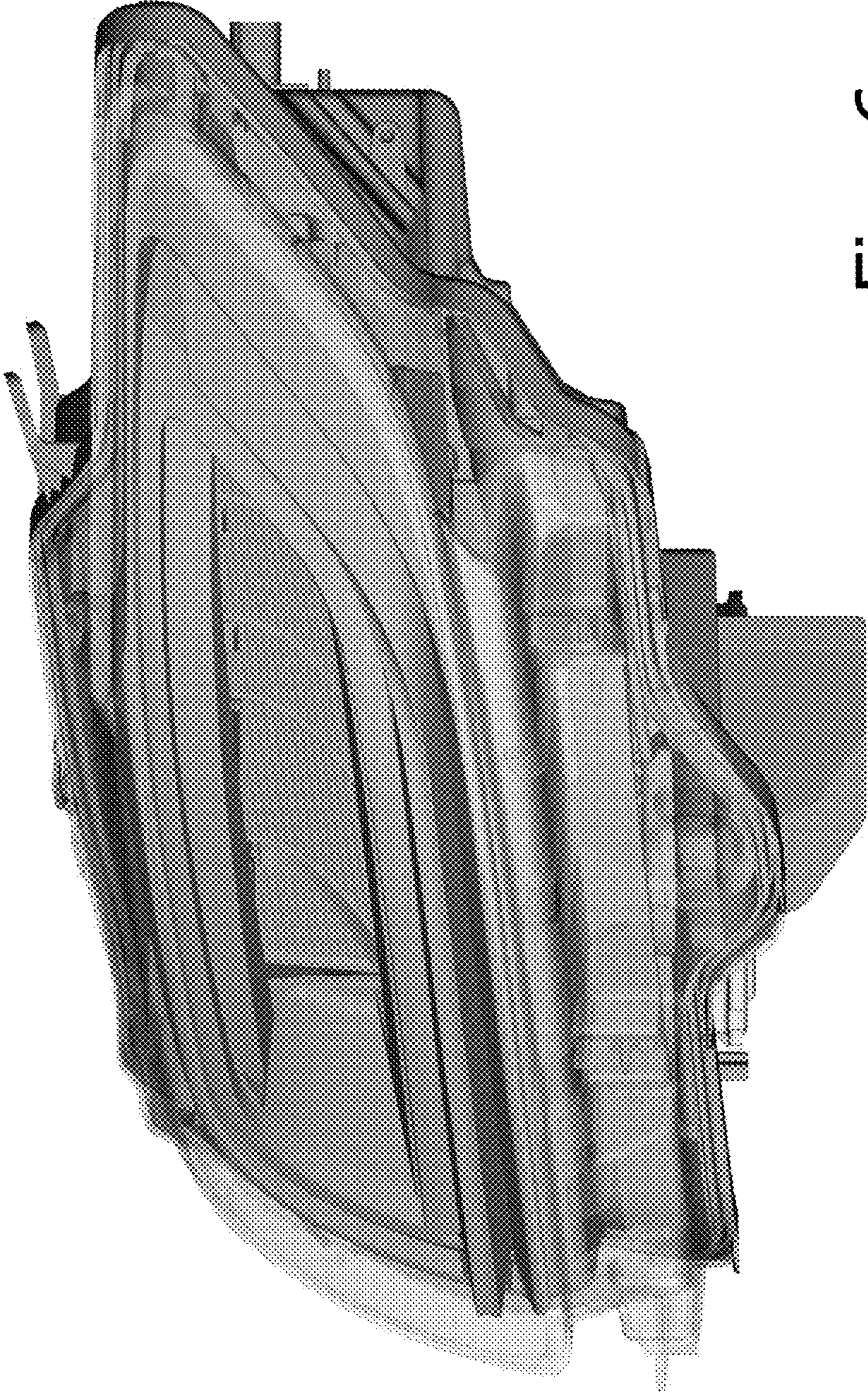


Fig. 6

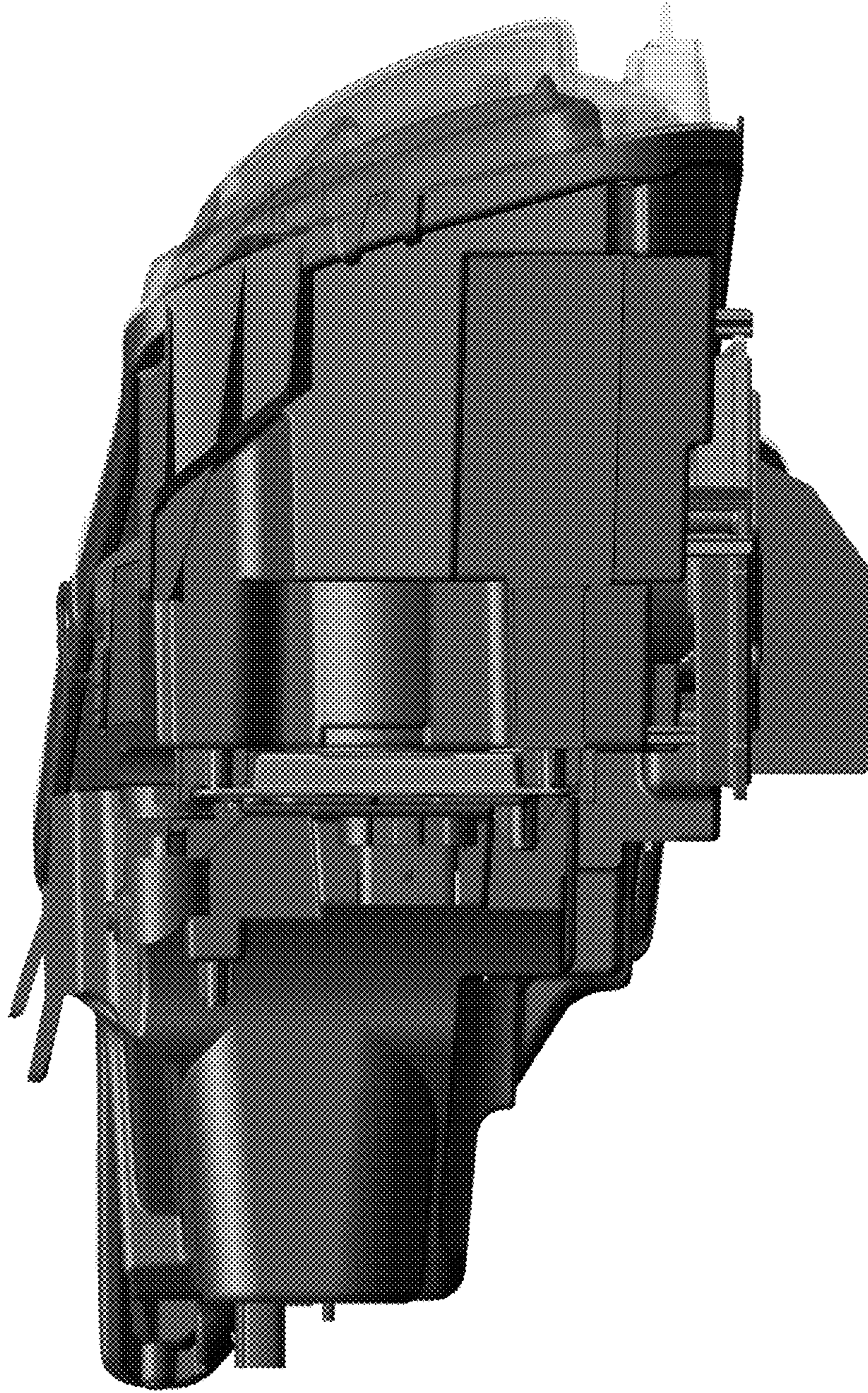


Fig. 7

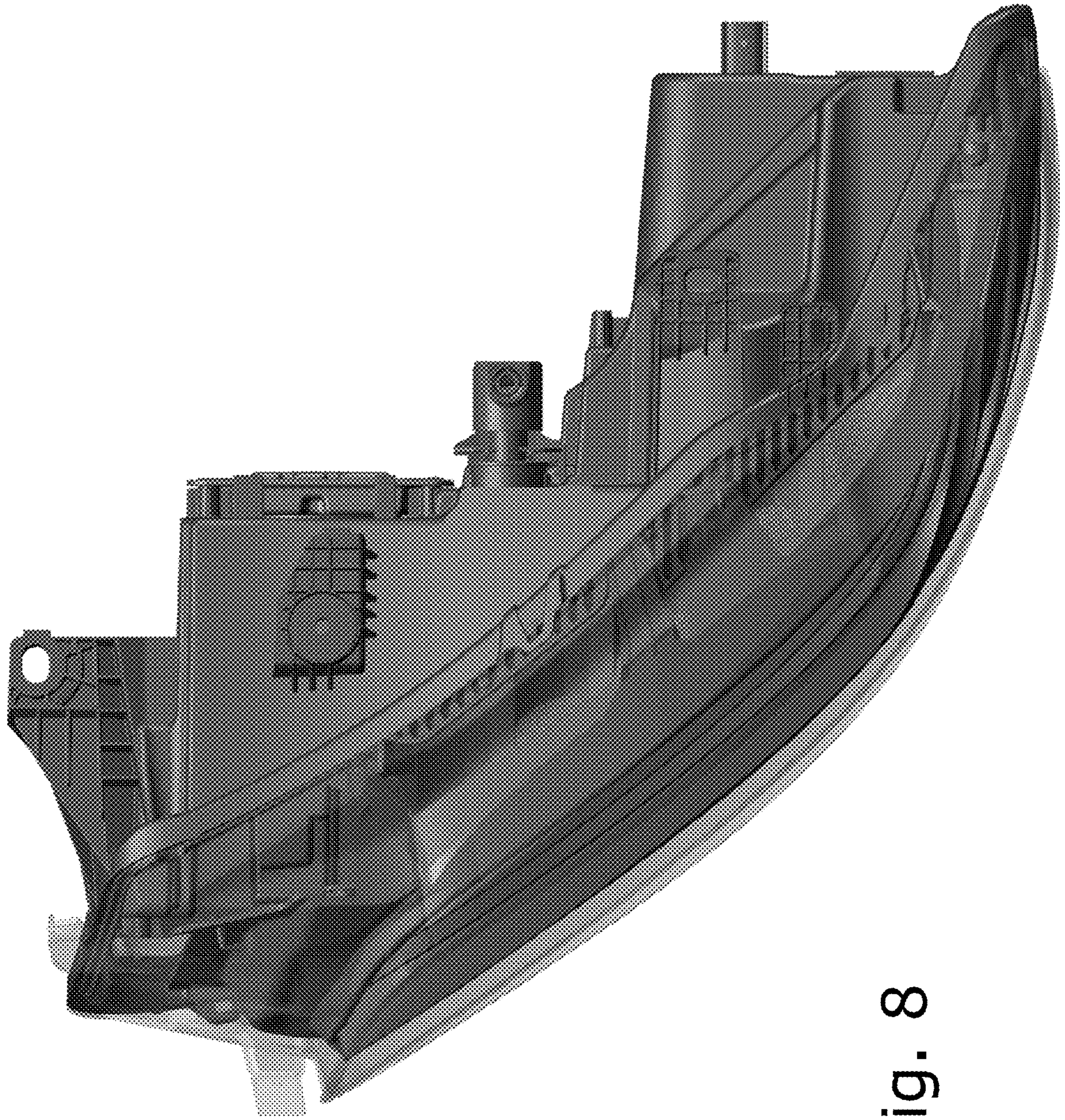


Fig. 8

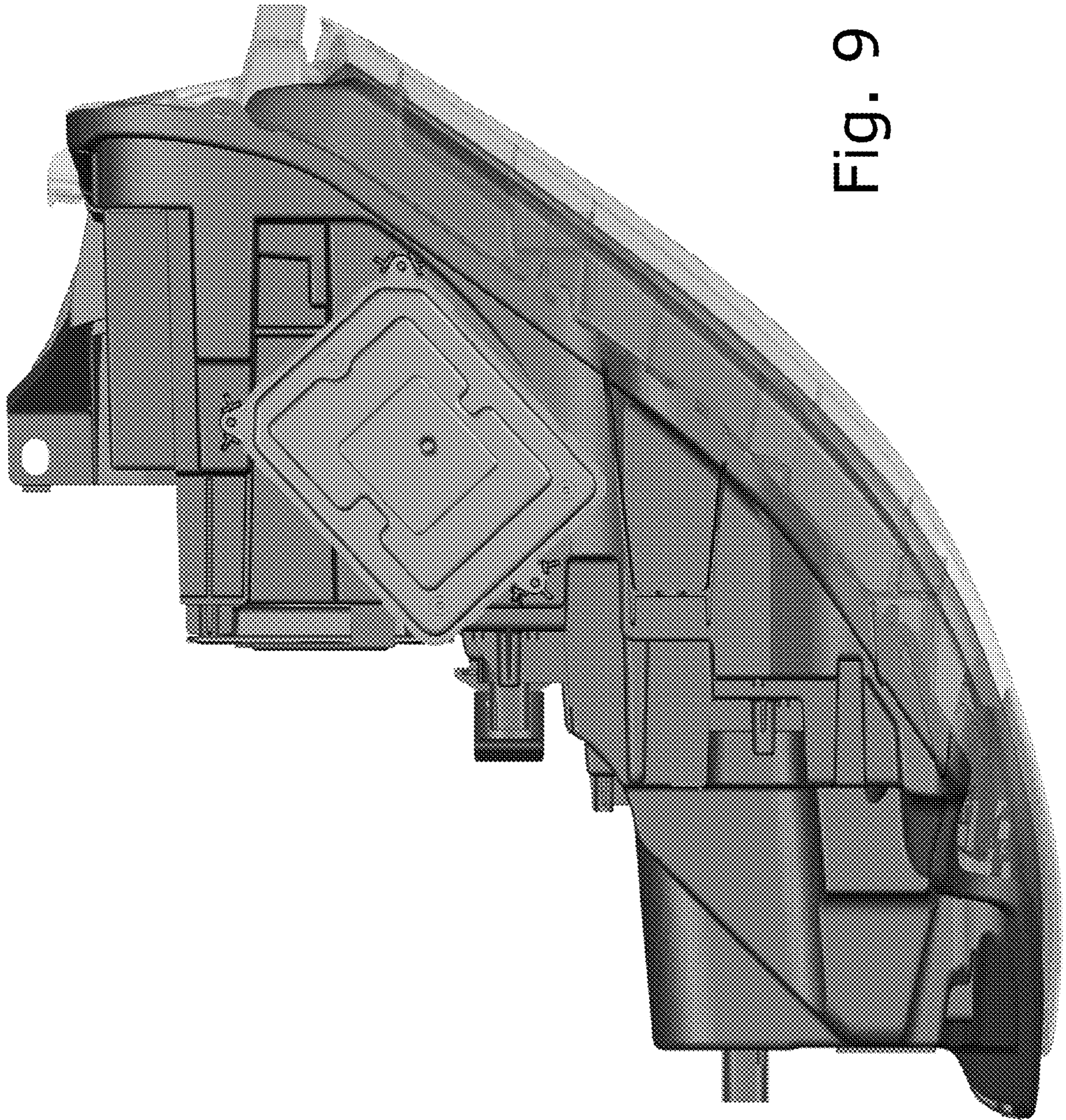


Fig. 9