



US00D902452S

(12) **United States Design Patent**  
**Huang**

(10) **Patent No.:** **US D902,452 S**

(45) **Date of Patent:** **\*\* Nov. 17, 2020**

(54) **BIKE TAIL LIGHT**

(71) Applicant: **Shenzhen Anpule Technology Co., Ltd.**, Shenzhen (CN)

(72) Inventor: **Xuhua Huang**, Guangdong (CN)

(\*\*) Term: **15 Years**

(21) Appl. No.: **29/697,420**

(22) Filed: **Jul. 8, 2019**

(51) **LOC (12) Cl.** ..... **26-06**

(52) **U.S. Cl.**

USPC ..... **D26/28**

(58) **Field of Classification Search**

USPC ..... D26/28-36, 139

CPC ..... F21S 48/00; F21S 48/10; F21S 48/115;

F21S 48/225; F21S 48/1233; F21S

48/1266; F21S 48/1388; F21S 48/2268;

F21V 21/04; F21V 29/004; B60Q 9/13;

B60Q 9/135; B60Q 9/1375

See application file for complete search history.

(56) **References Cited**

**U.S. PATENT DOCUMENTS**

D540,481 S \* 4/2007 Okuda ..... D26/28

D541,447 S \* 4/2007 Ueda ..... D26/28

D560,833 S \* 1/2008 Ueda ..... D26/28

D560,834 S \* 1/2008 Nagano ..... D26/28

D605,790 S \* 12/2009 Hsing-Tsun ..... D26/28

D629,538 S \* 12/2010 Nagano ..... D26/28

D678,563 S \* 3/2013 Liao ..... D26/28

D831,244 S \* 10/2018 Lai ..... D26/28

\* cited by examiner

*Primary Examiner* — Marcus A Jackson

(57) **CLAIM**

The ornamental design for a bike tail light, as shown and described.

**DESCRIPTION**

FIG. 1 is a top perspective view of a bike tail light showing my new design;

FIG. 2 is a bottom perspective view thereof;

FIG. 3 is a front view thereof;

FIG. 4 is a back view thereof;

FIG. 5 is a left side view thereof;

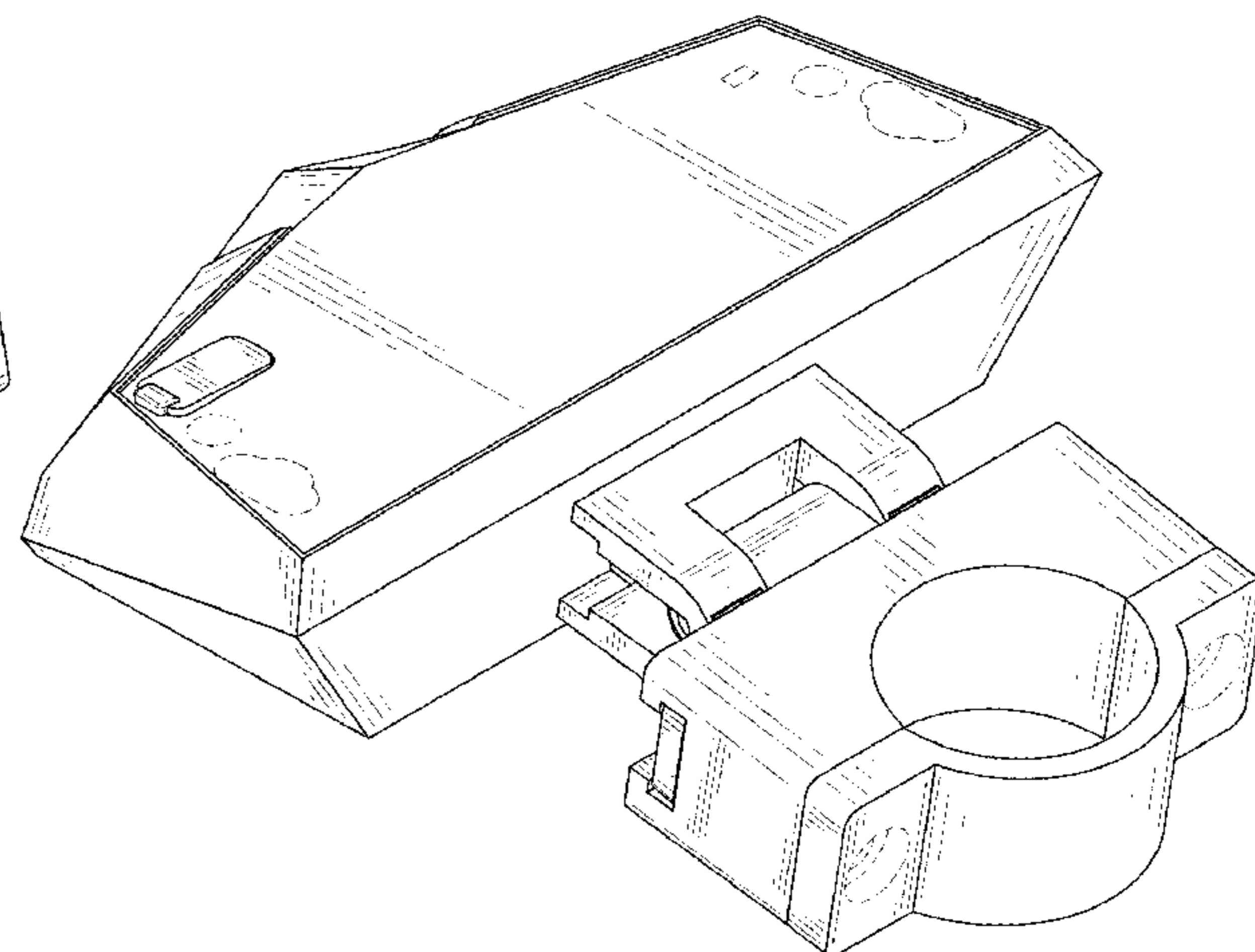
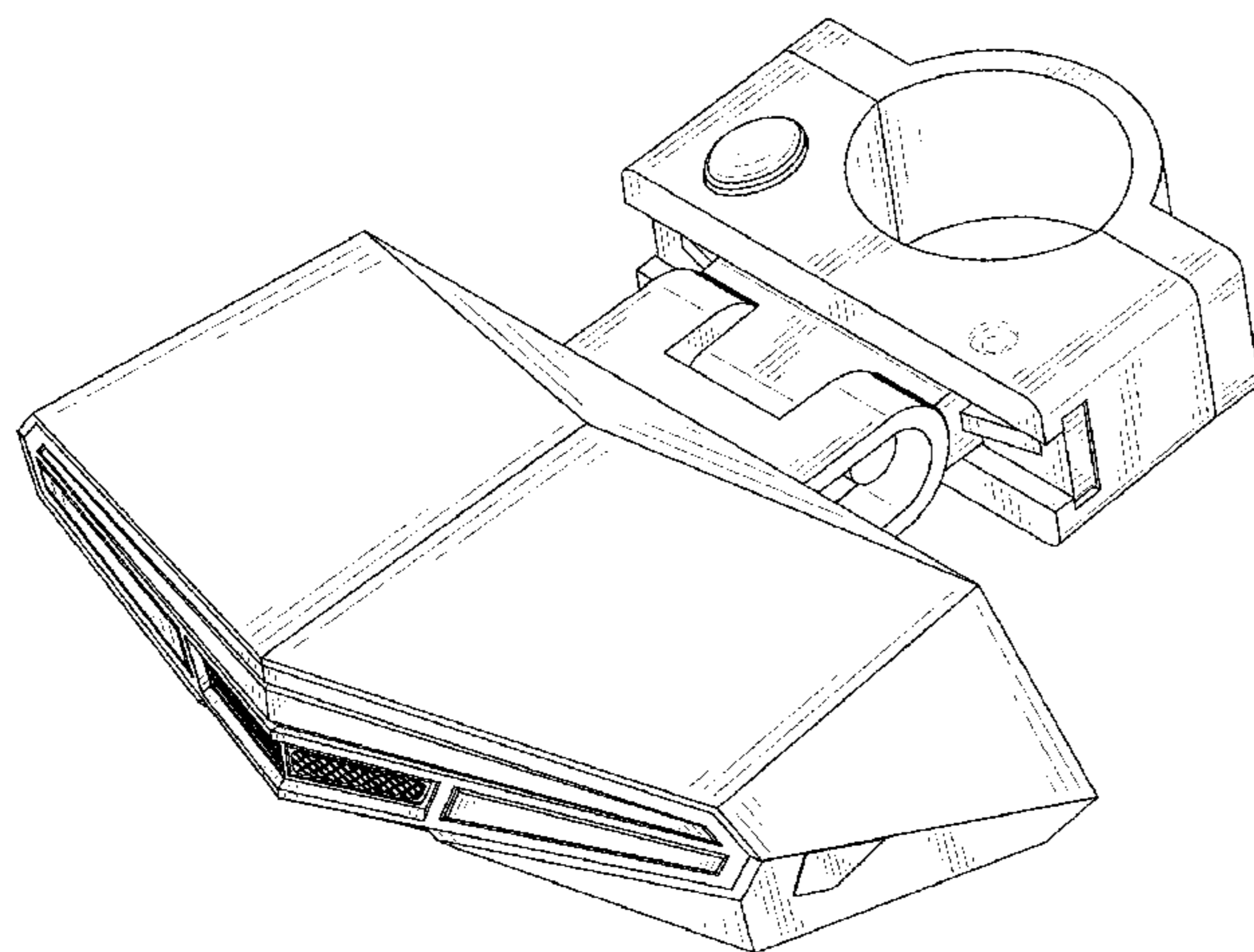
FIG. 6 is a right side view thereof;

FIG. 7 is a top view thereof; and,

FIG. 8 is a bottom view thereof.

The broken lines in the figures illustrate portions of the bike tail light that form no part of the claimed design.

**1 Claim, 8 Drawing Sheets**



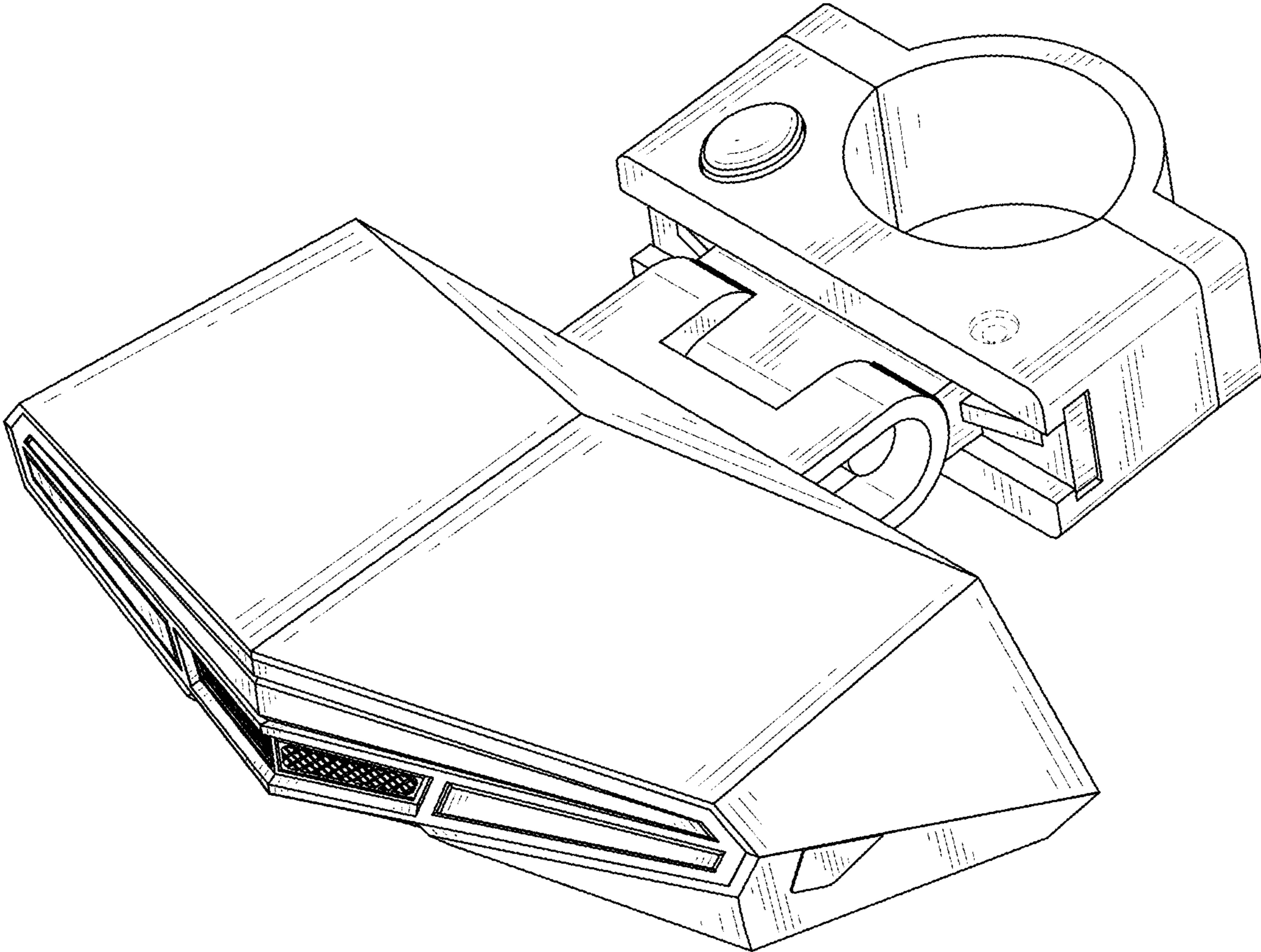


FIG. 1

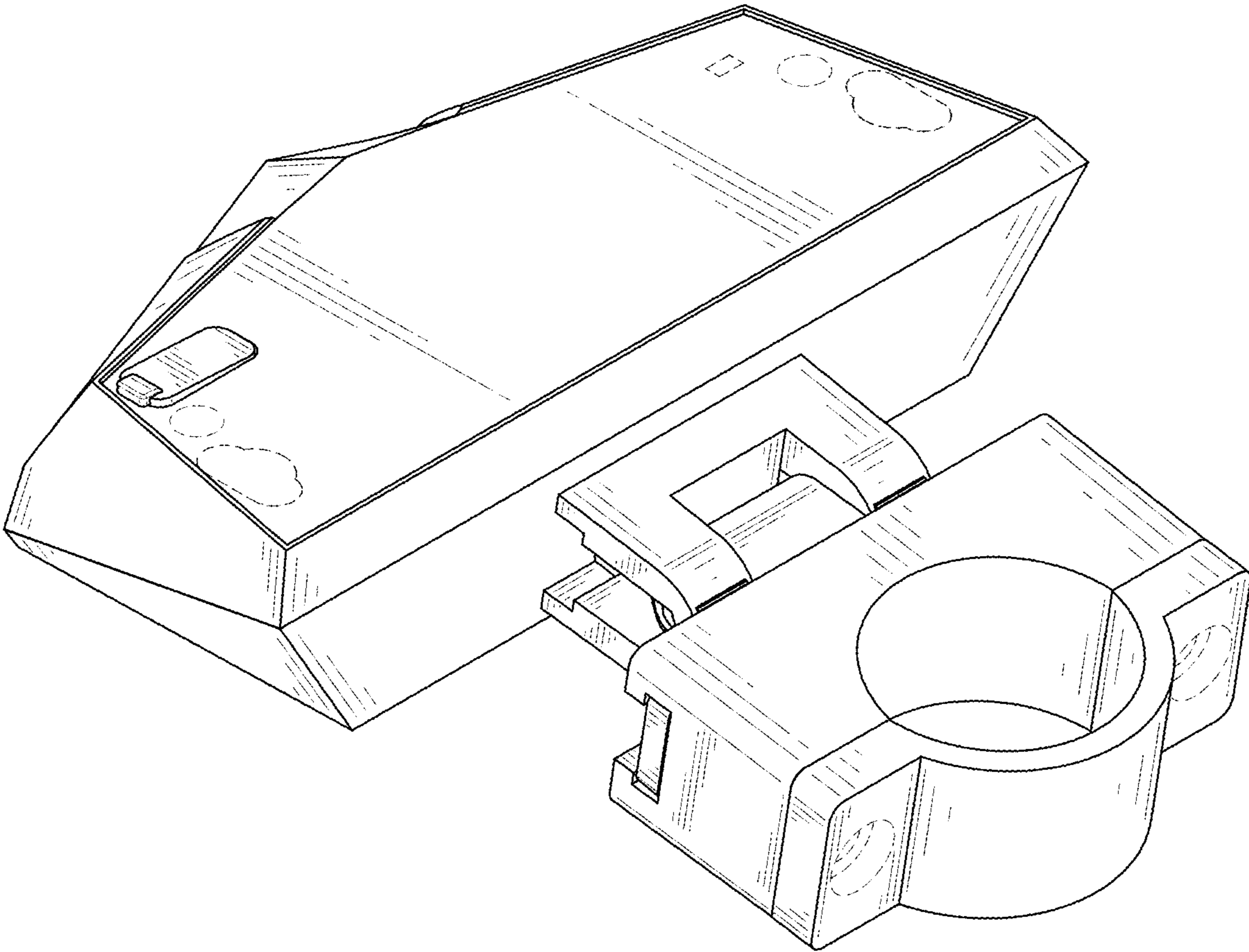


FIG. 2

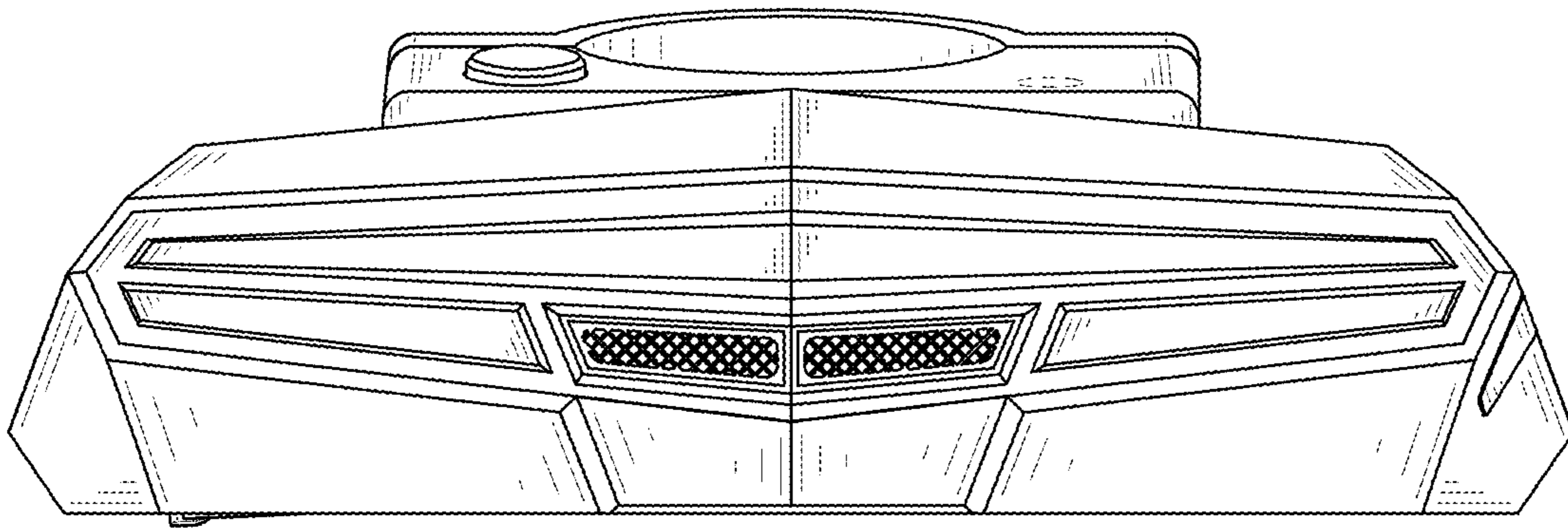


FIG. 3



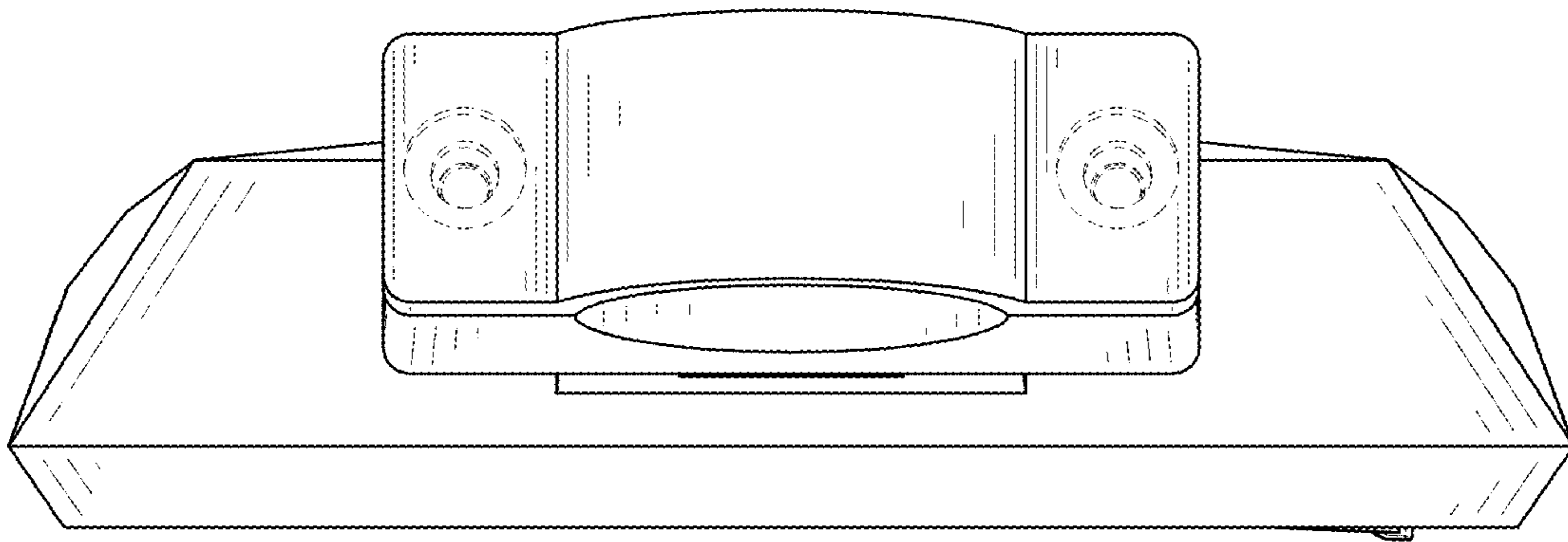


FIG. 4

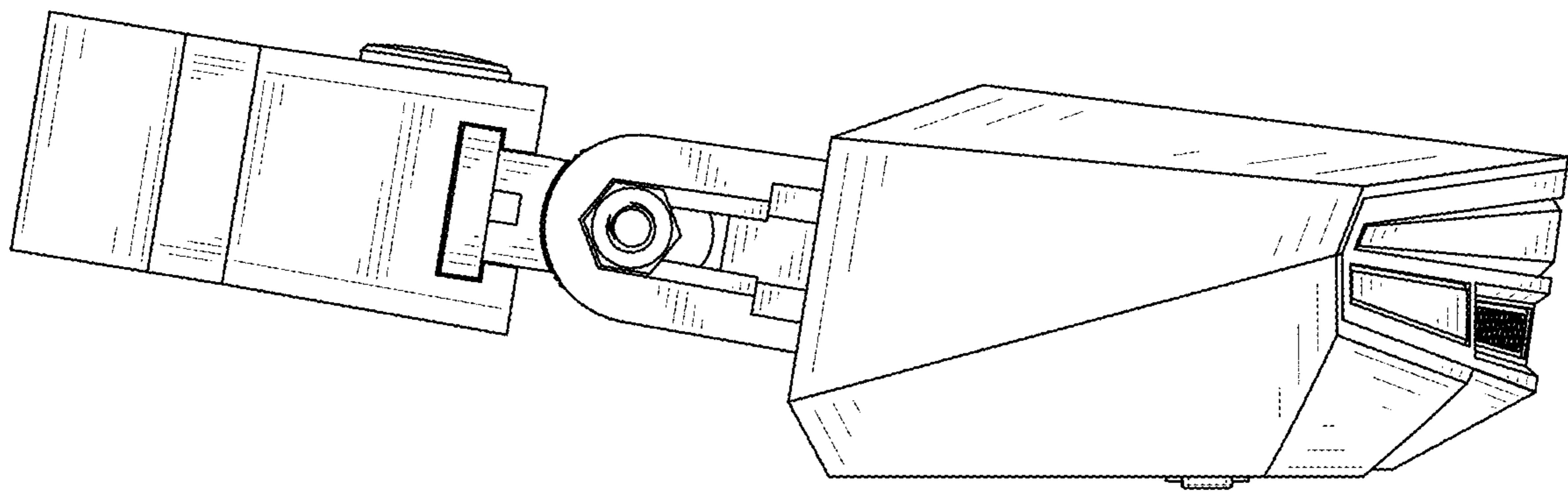


FIG. 5

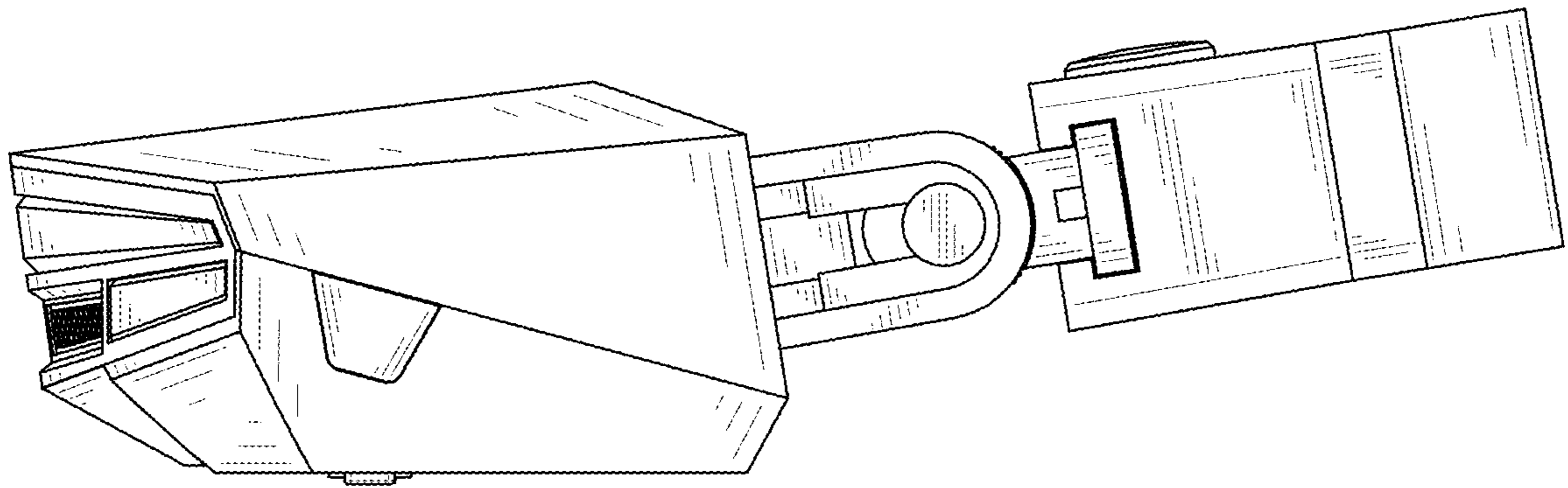


FIG. 6

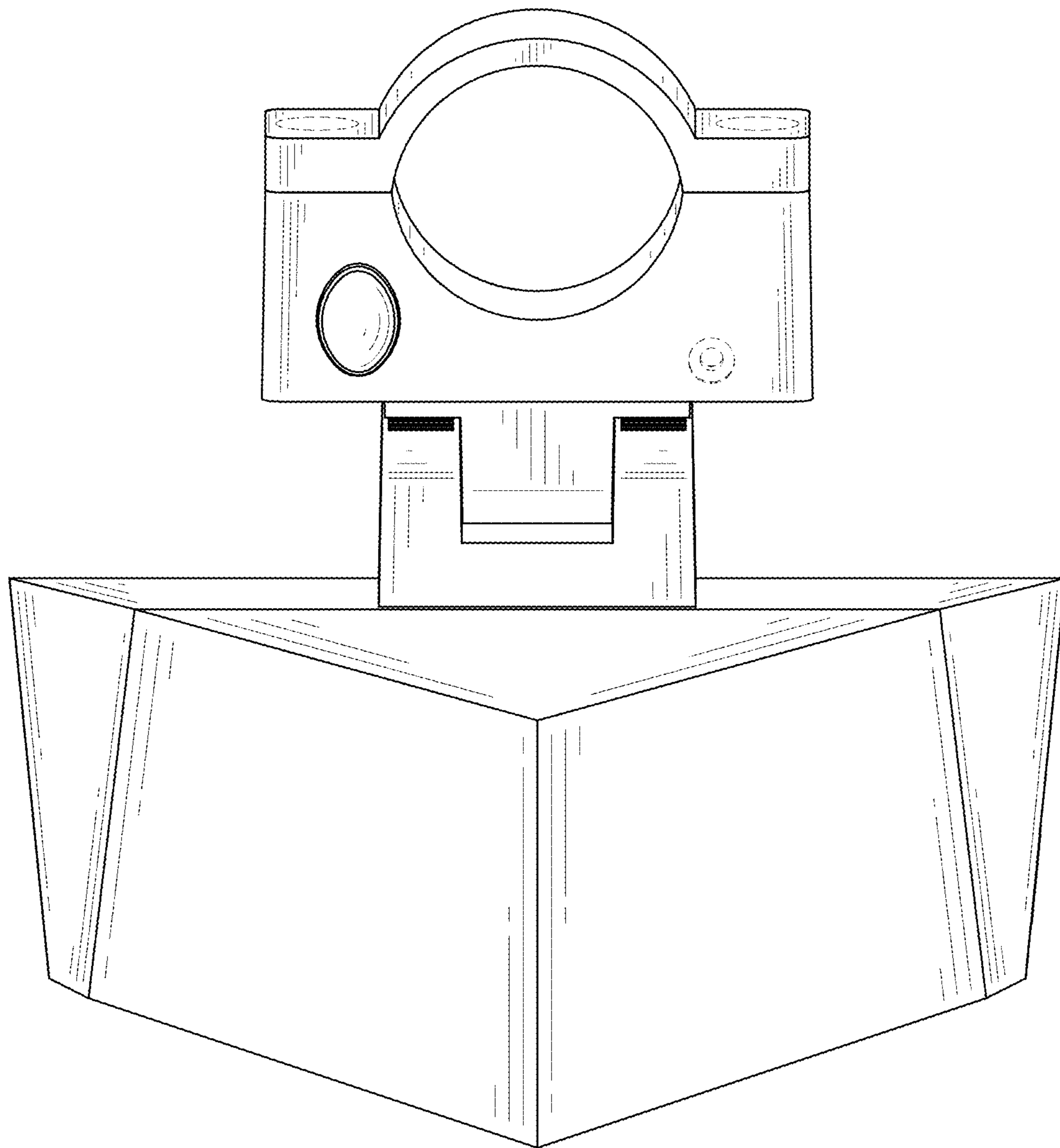


FIG. 7



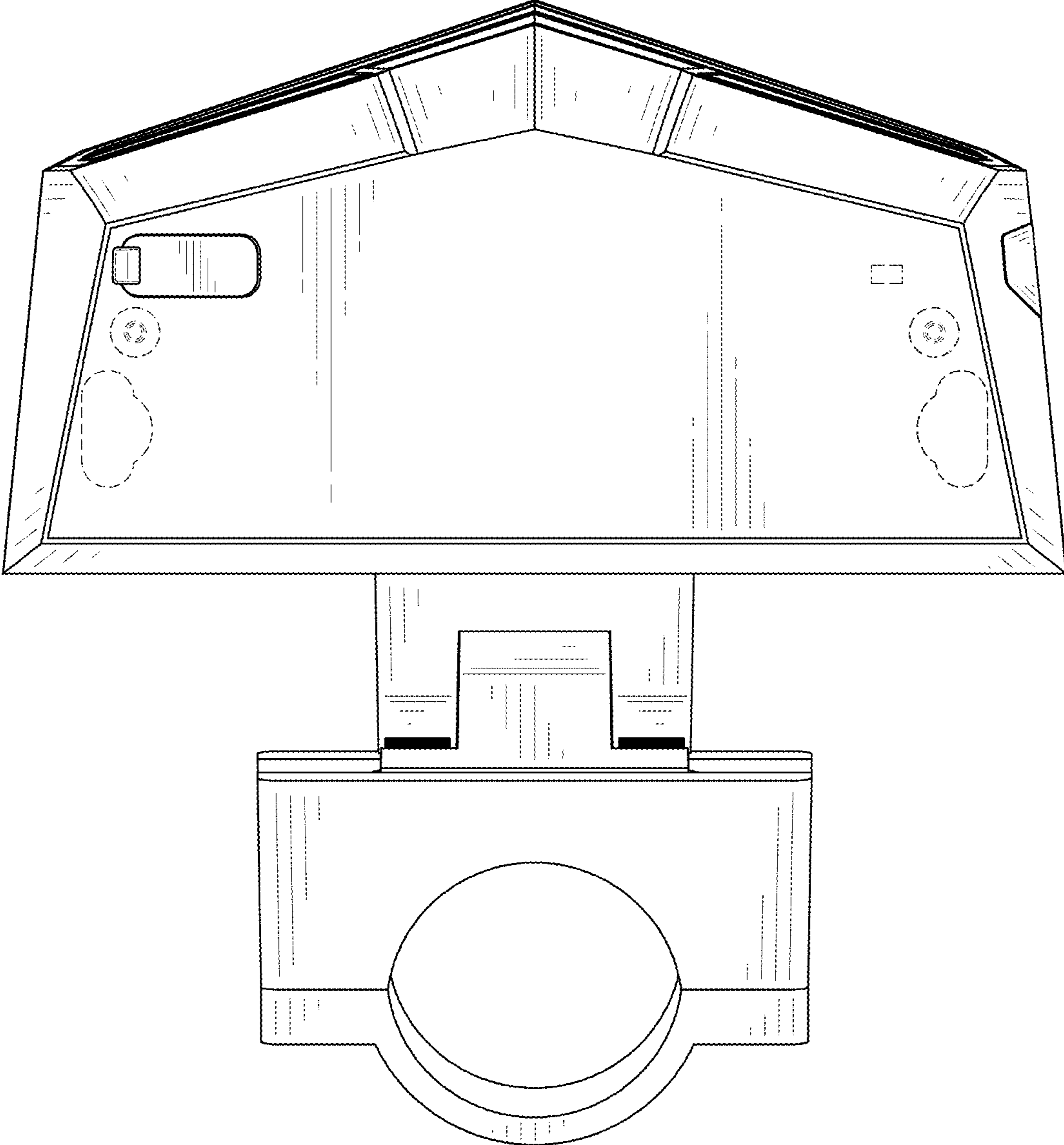


FIG. 8