

US00D902449S

(12) **United States Design Patent**
Thomas

(10) **Patent No.:** **US D902,449 S**

(45) **Date of Patent:** **** Nov. 17, 2020**

(54) **HEADLAMP FOR A VEHICLE**

(71) Applicant: **Jaguar Land Rover Limited**, Coventry (GB)

(72) Inventor: **Gareth Thomas**, Coventry (GB)

(73) Assignee: **Jaguar Land Rover Limited**, Coventry (GB)

(**) Term: **15 Years**

(21) Appl. No.: **29/656,191**

(22) Filed: **Jul. 11, 2018**

(30) **Foreign Application Priority Data**

Jan. 12, 2018 (EM) 004663839
Apr. 25, 2018 (EM) 005248606
Jul. 5, 2018 (EM) 005436011

(51) **LOC (12) Cl.** **26-06**

(52) **U.S. Cl.**
USPC **D26/28**

(58) **Field of Classification Search**
USPC D26/28-36, 139
CPC F21S 48/00; F21S 48/10; F21S 48/115;
F21S 48/225; F21S 48/1233; F21S
48/1266; F21S 48/1388; F21S 48/2268;
F21V 21/04; F21V 29/004; B60Q 9/13;
B60Q 9/135; B60Q 9/1375

See application file for complete search history.

(56) **References Cited**

U.S. PATENT DOCUMENTS

| | | | | |
|------------|---|---------|----------------|--------|
| D490,172 S | * | 5/2004 | Yamamoto | D26/28 |
| D564,683 S | * | 3/2008 | Roach | D26/28 |
| D626,670 S | * | 11/2010 | Metzger | D26/28 |
| D688,400 S | * | 8/2013 | Haumann | D26/28 |
| D716,477 S | * | 10/2014 | Chu | D26/28 |
| D718,478 S | * | 11/2014 | Adams | D26/28 |

* cited by examiner

Primary Examiner — Marcus A Jackson

(74) *Attorney, Agent, or Firm* — Wood Herron & Evans LLP

(57) **CLAIM**

The ornamental design for a headlamp for a vehicle, as shown and described.

DESCRIPTION

FIG. 1 is a front left elevated perspective view of a headlamp for a vehicle according to the present invention.

FIG. 2 is a front left perspective view of the headlamp for a vehicle shown in FIG. 1.

FIG. 3 is a rear right elevated perspective view thereof.

FIG. 4 is a rear right perspective view thereof.

FIG. 5 is a front view thereof.

FIG. 6 is a rear view thereof.

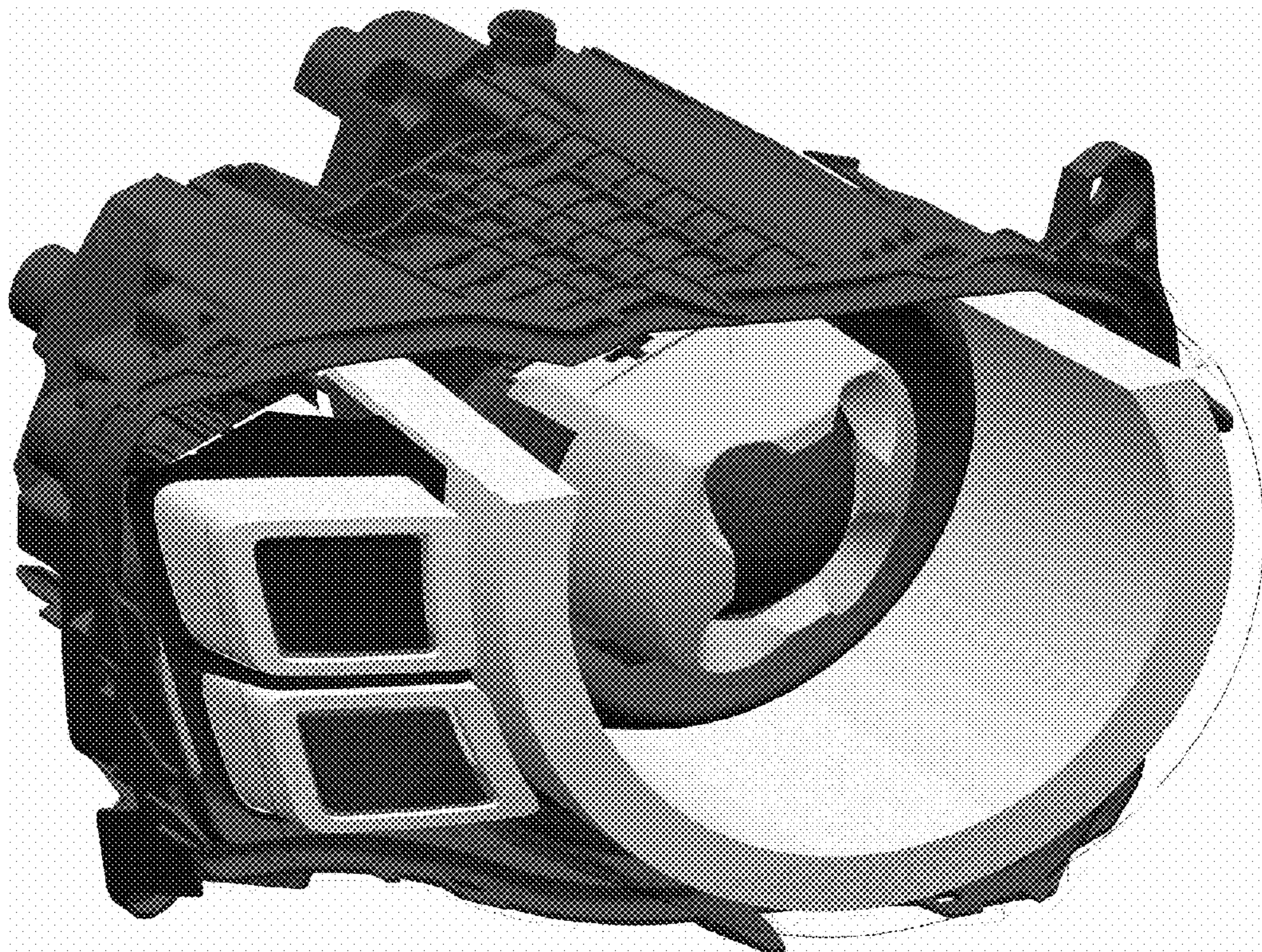
FIG. 7 is a left side view thereof.

FIG. 8 is a right side view thereof.

FIG. 9 is a top view thereof; and,

FIG. 10 is a bottom view thereof.

1 Claim, 10 Drawing Sheets



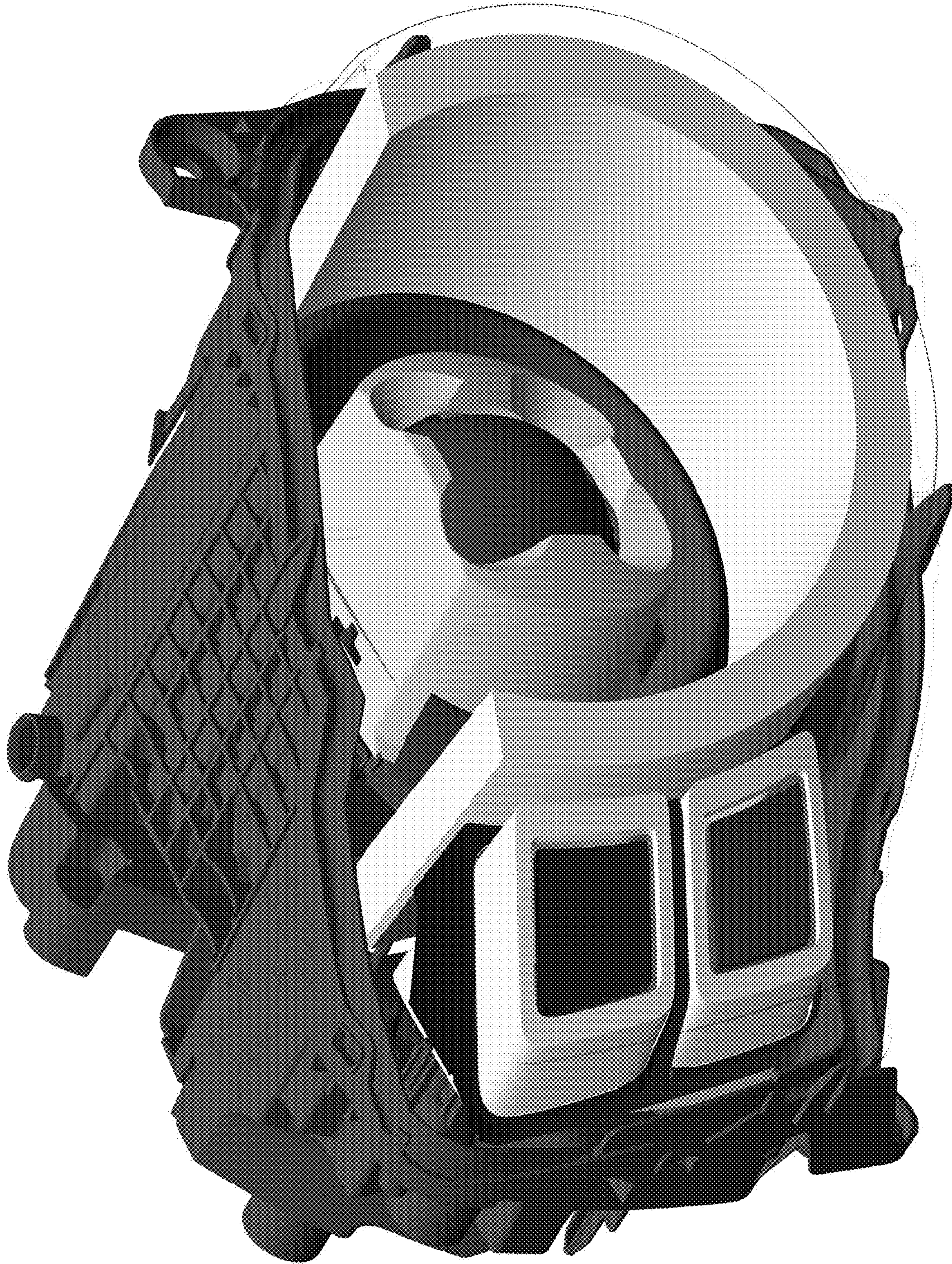


FIG. 1



FIG. 2

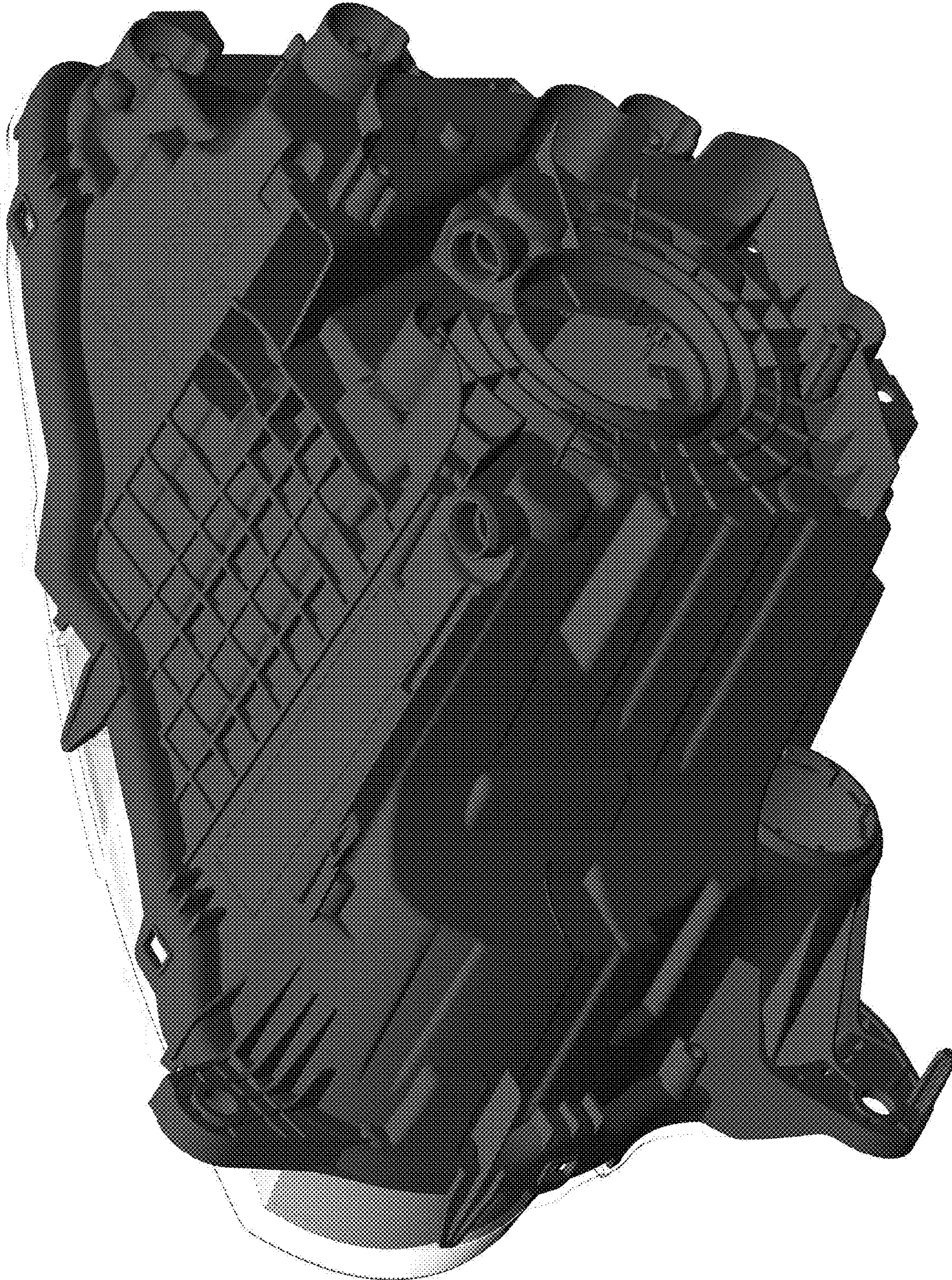


FIG. 3

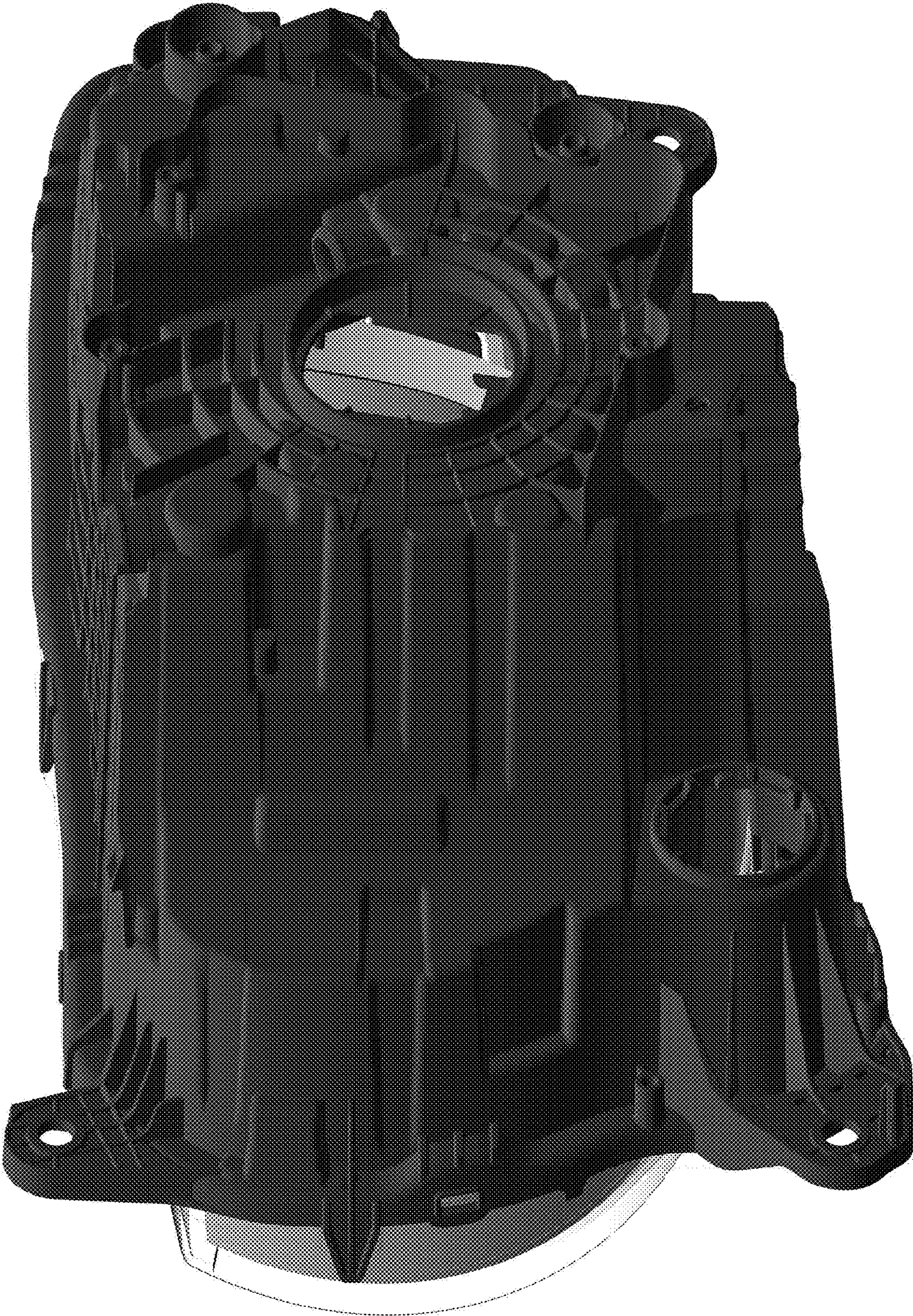


FIG. 4



FIG. 5



FIG. 6

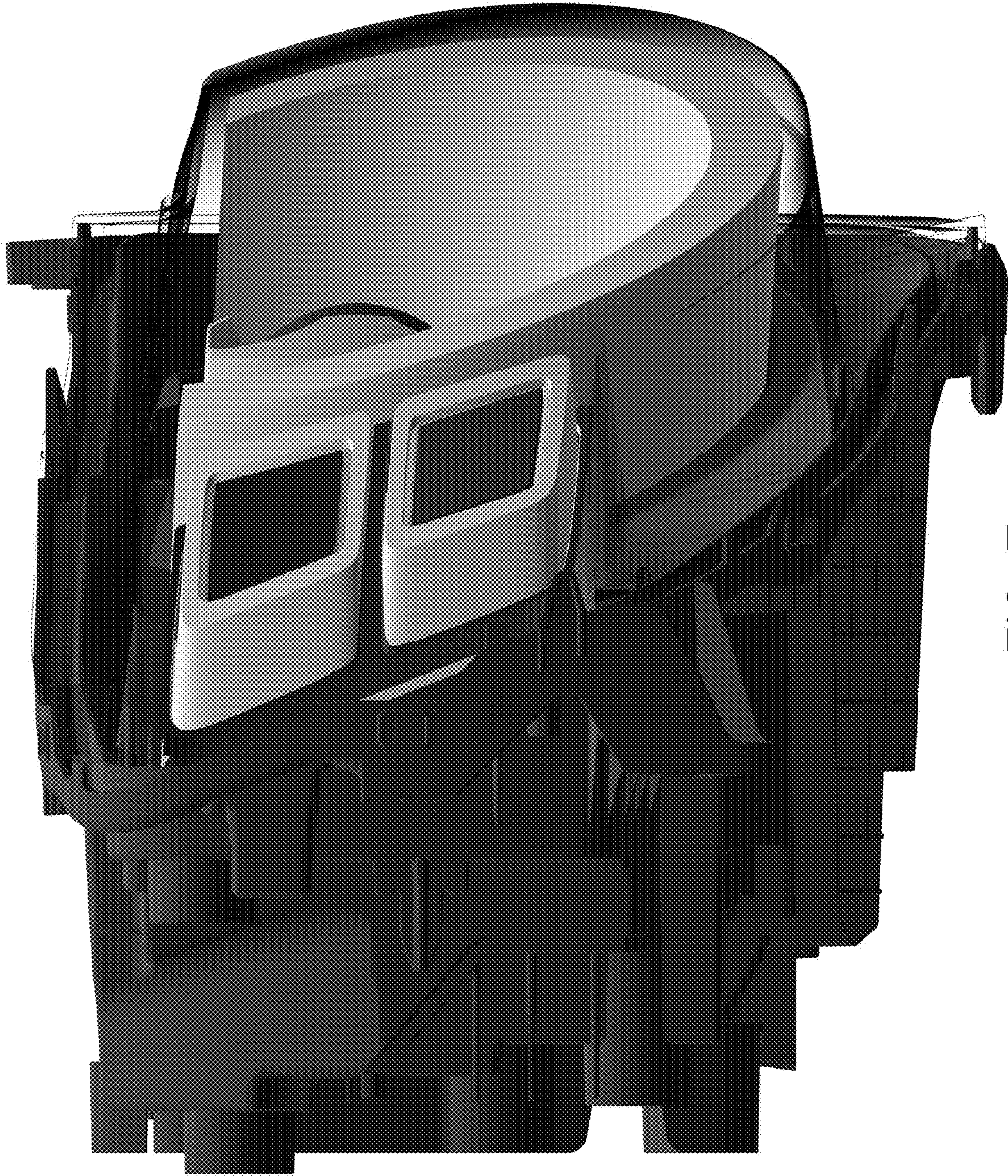


FIG. 7

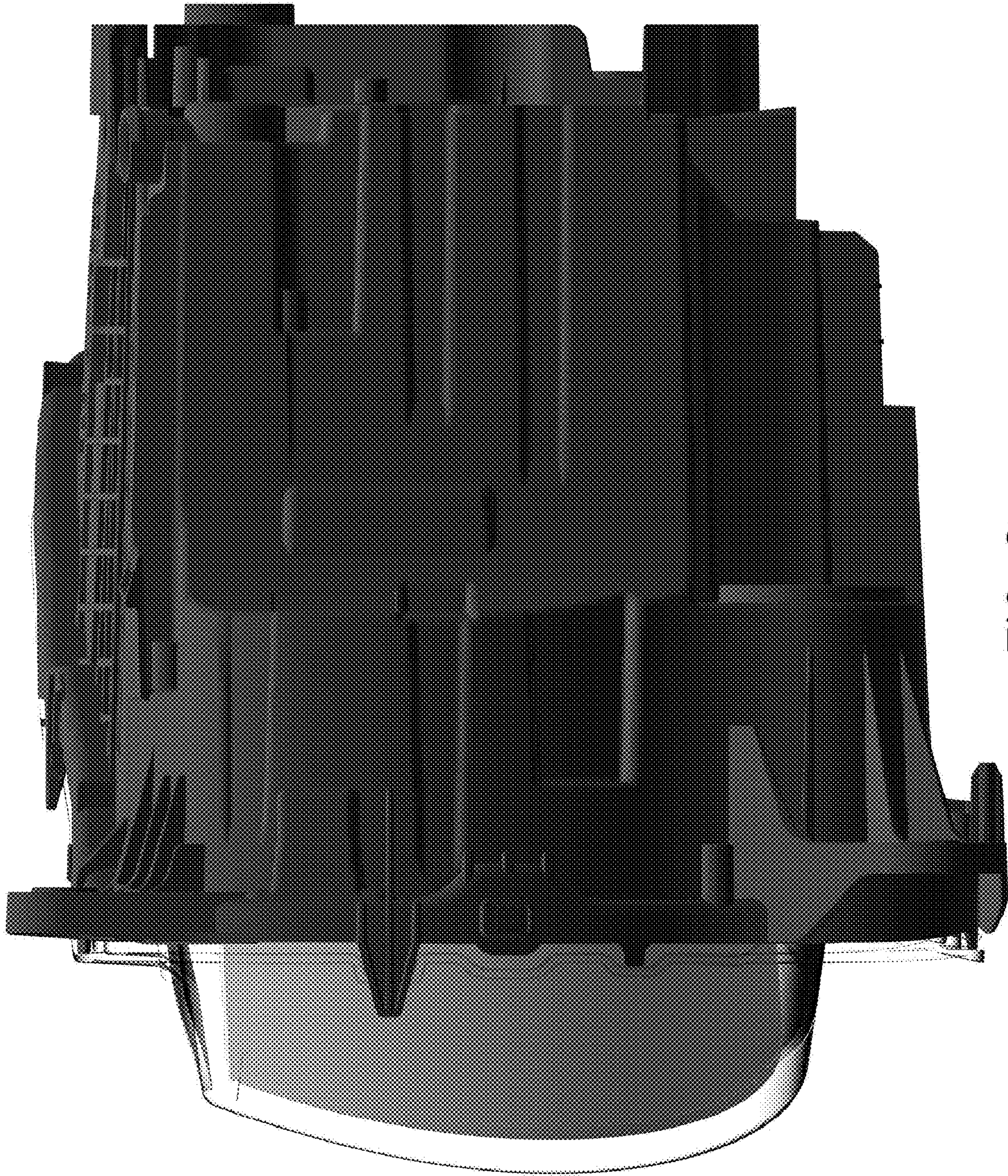


FIG. 8

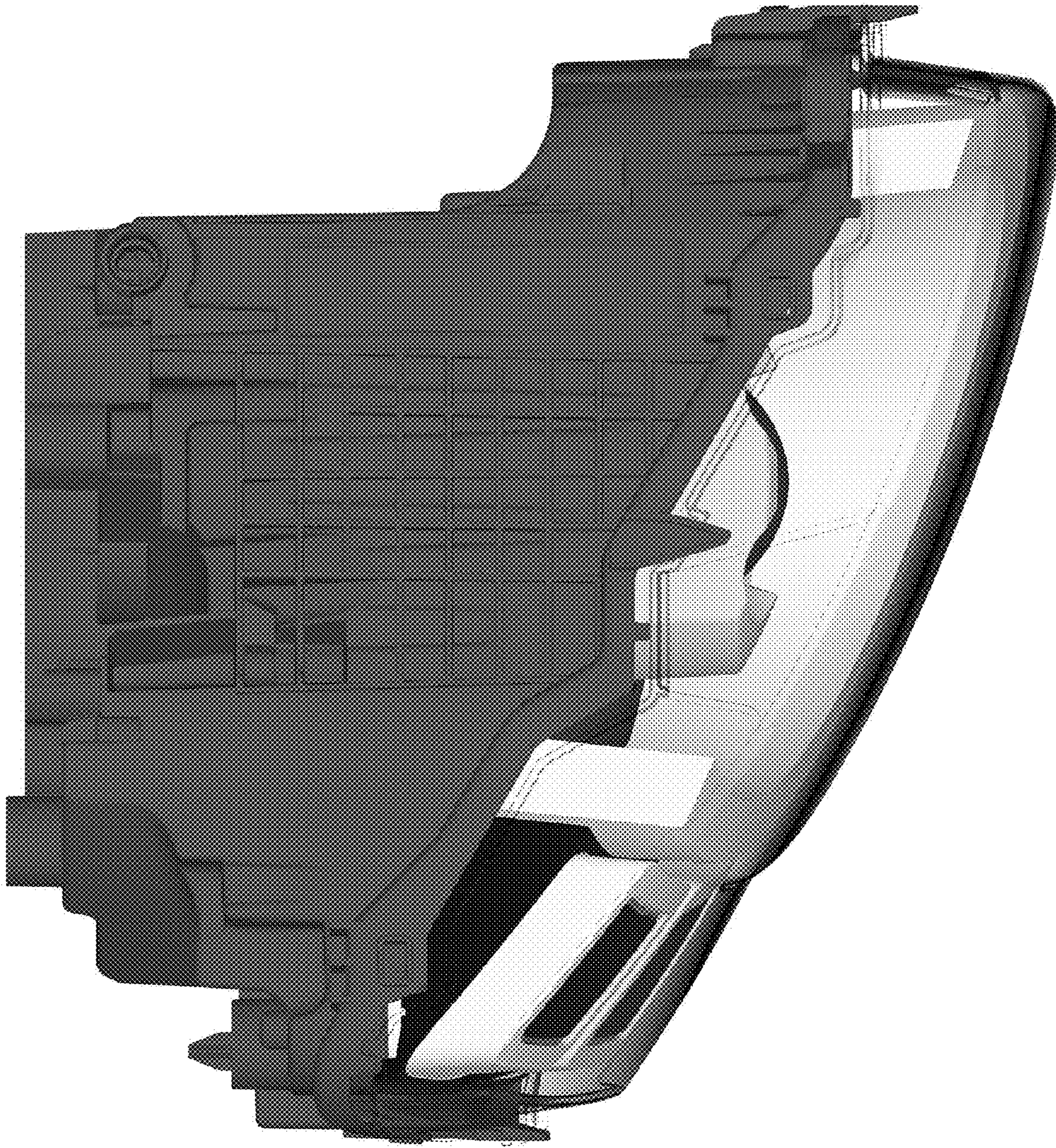


FIG. 9

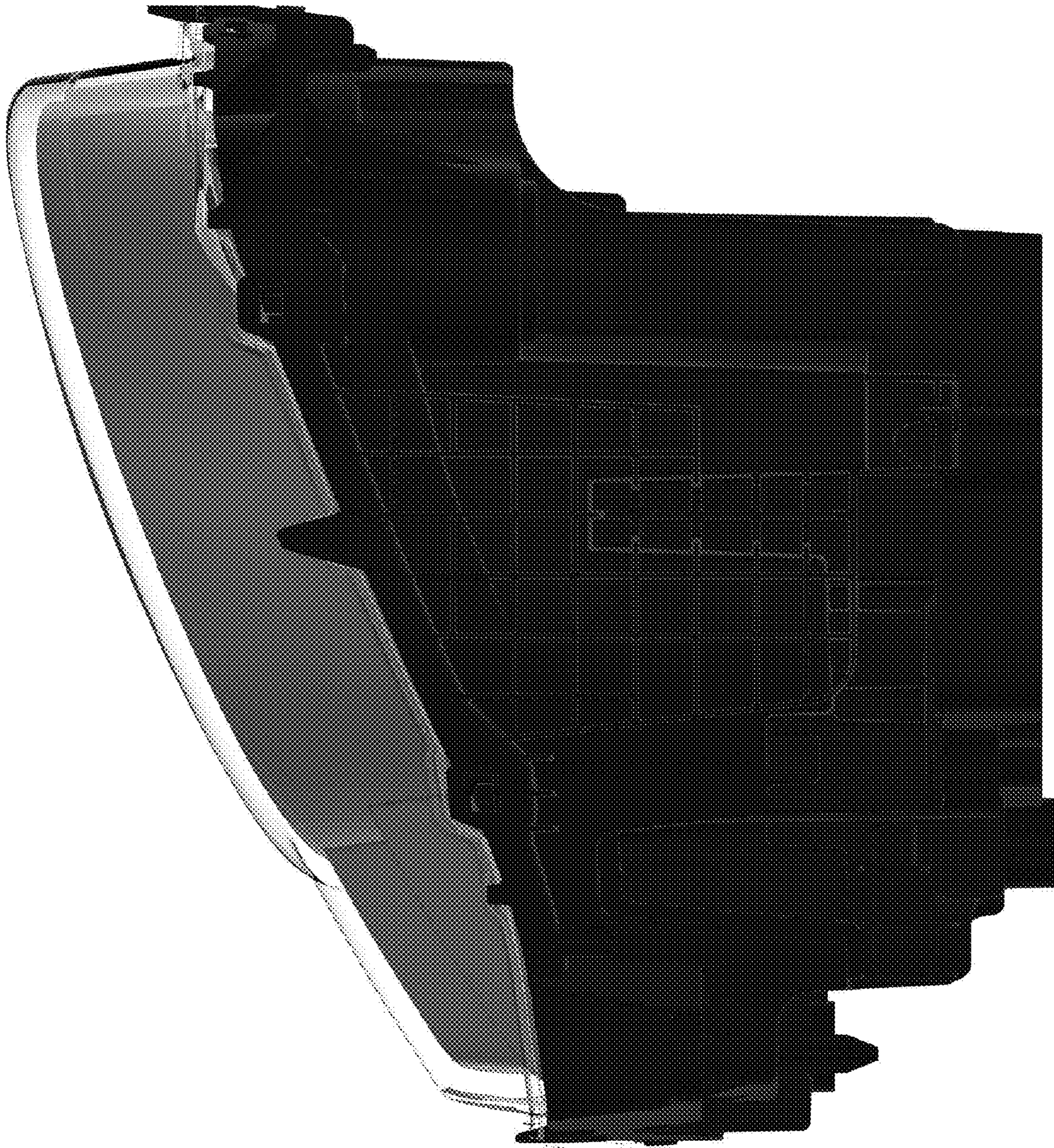


FIG. 10