



US00D902447S

(12) **United States Design Patent**  
**Li et al.**

(10) **Patent No.:** **US D902,447 S**

(45) **Date of Patent:** **\*\* Nov. 17, 2020**

(54) **LED BULB**

5/48; H01J 5/50; H01J 19/54; F21V 5/00;  
F21K 9/00; F21K 13/00

(71) Applicant: **SIGNIFY HOLDING B.V.**, Eindhoven  
(NL)

See application file for complete search history.

(72) Inventors: **Wang Li**, Shanghai (CN); **Xiaoqing Duan**, Shanghai (CN); **Mo Ling Gen**, Shanghai (CN); **Yun Fei Duan**, Shanghai (CN); **Wang Tzu Wei**, Shanghai (CN); **Yong Joon Hwang**, Shanghai (CN); **Zhong Wang**, Shanghai (CN); **Steven Fei**, Shanghai (CN)

(56) **References Cited**

U.S. PATENT DOCUMENTS

D553,267	S	*	10/2007	Yuen	.....	D26/2
D590,523	S	*	4/2009	Takahashi	.....	D26/2
D600,368	S	*	9/2009	Bertram	.....	D26/2
D605,786	S	*	12/2009	Lim	.....	D26/2
D628,321	S	*	11/2010	Yoshinobu	.....	D26/2
D648,461	S	*	11/2011	Kim	.....	D26/2
D651,327	S	*	12/2011	Hsiao	.....	D26/2

(73) Assignee: **SIGNIFY HOLDING B.V.**, Eindhoven  
(NL)

\* cited by examiner

(\*\*) Term: **15 Years**

*Primary Examiner* — Marcus A Jackson

(21) Appl. No.: **29/689,946**

(74) *Attorney, Agent, or Firm* — Daniel J. Piotrowski

(22) Filed: **May 3, 2019**

(57) **CLAIM**

The ornamental design for a “LED bulb”, as shown and described.

(30) **Foreign Application Priority Data**

**DESCRIPTION**

Nov. 6, 2018 (EM) ..... 005817699-0001

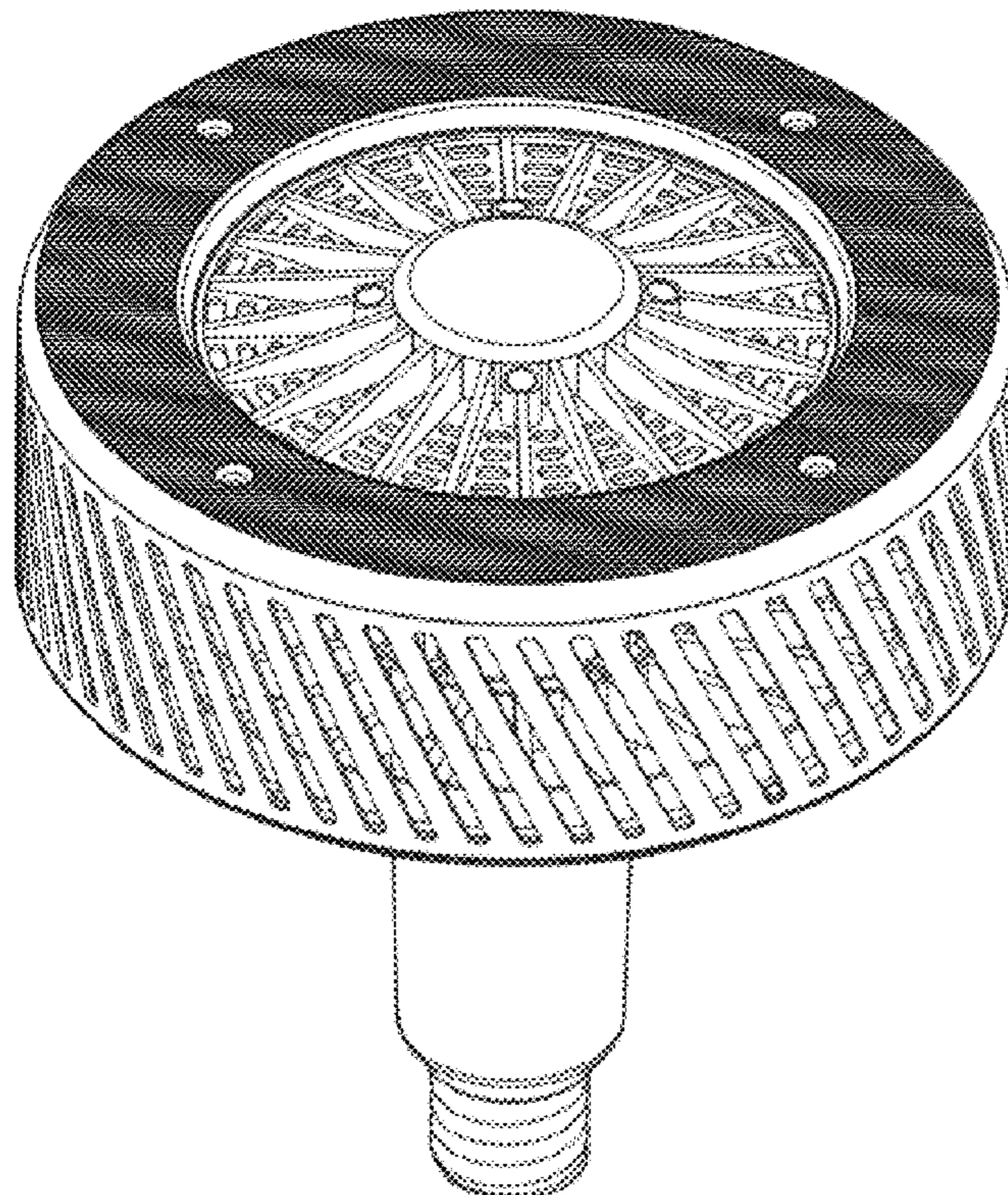
(51) **LOC (12) Cl.** ..... **26-04**

(52) **U.S. Cl.**  
USPC ..... **D26/2**

(58) **Field of Classification Search**  
USPC ..... D26/1–4  
CPC ..... H01R 5/00; H01R 13/46; H01R 13/514;  
H01R 31/048; H01R 31/02; H01J 5/00;  
H01J 5/16; H01J 1/02; H01J 15/00; H01J

FIG. 1 is a perspective view of a lighting fixture showing our design;  
FIG. 2 is a front elevational view thereof;  
FIG. 3 is a rear elevational view thereof;  
FIG. 4 is a right side elevational view thereof;  
FIG. 5 is a left side elevational view thereof;  
FIG. 6 is a top plan view thereof; and,  
FIG. 7 is a bottom plan view thereof.

**1 Claim, 7 Drawing Sheets**





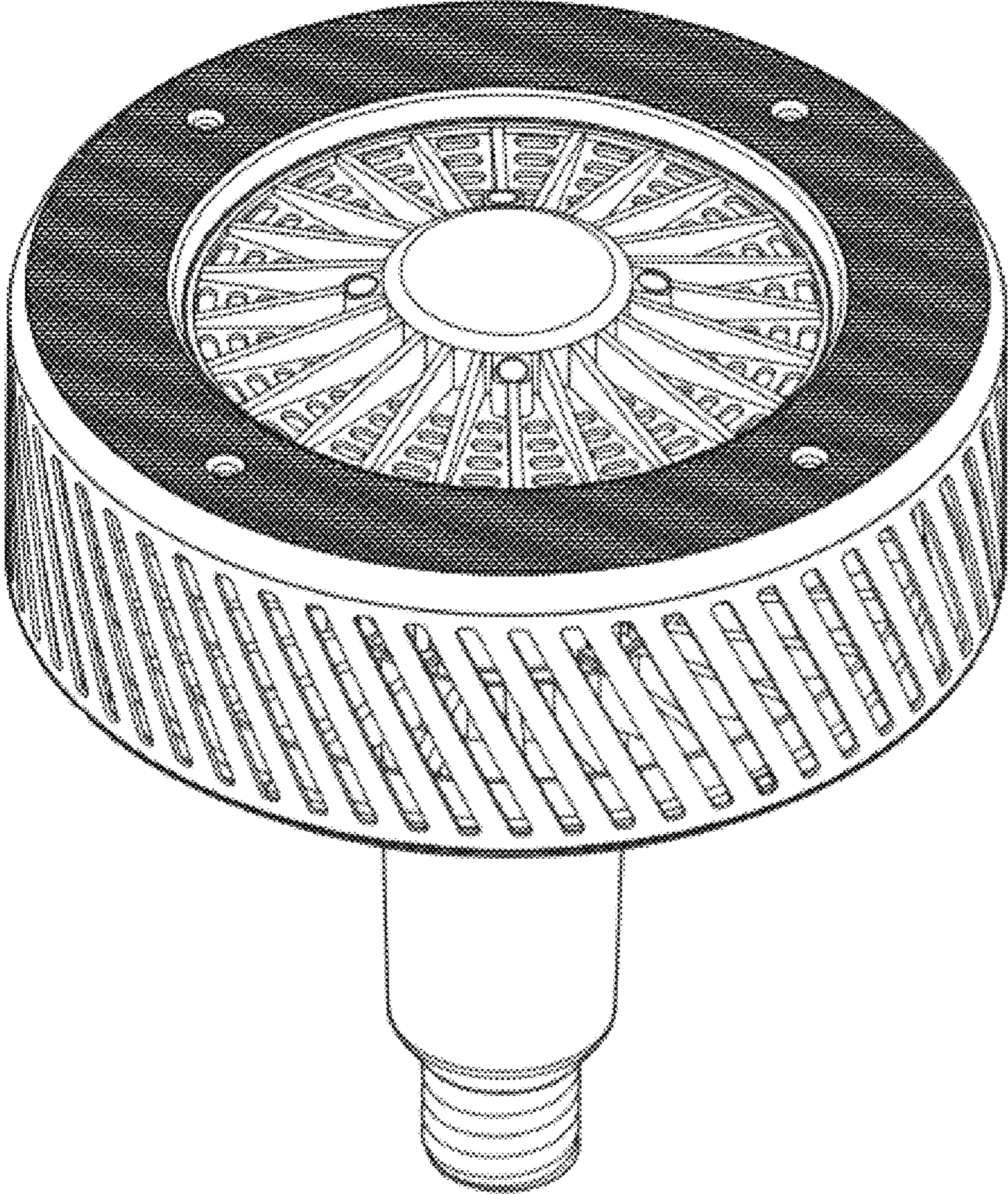


Fig. 1



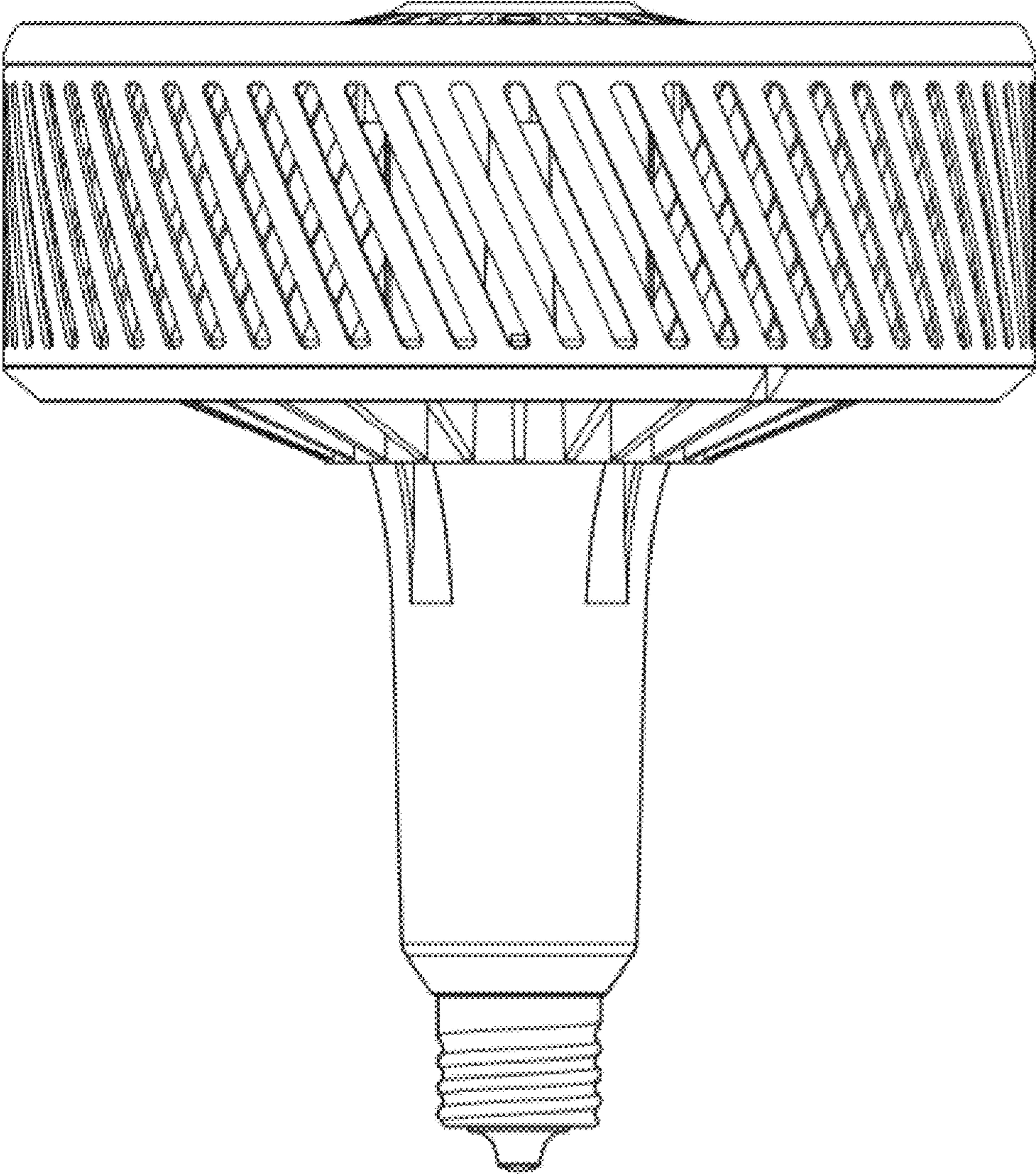


Fig. 2

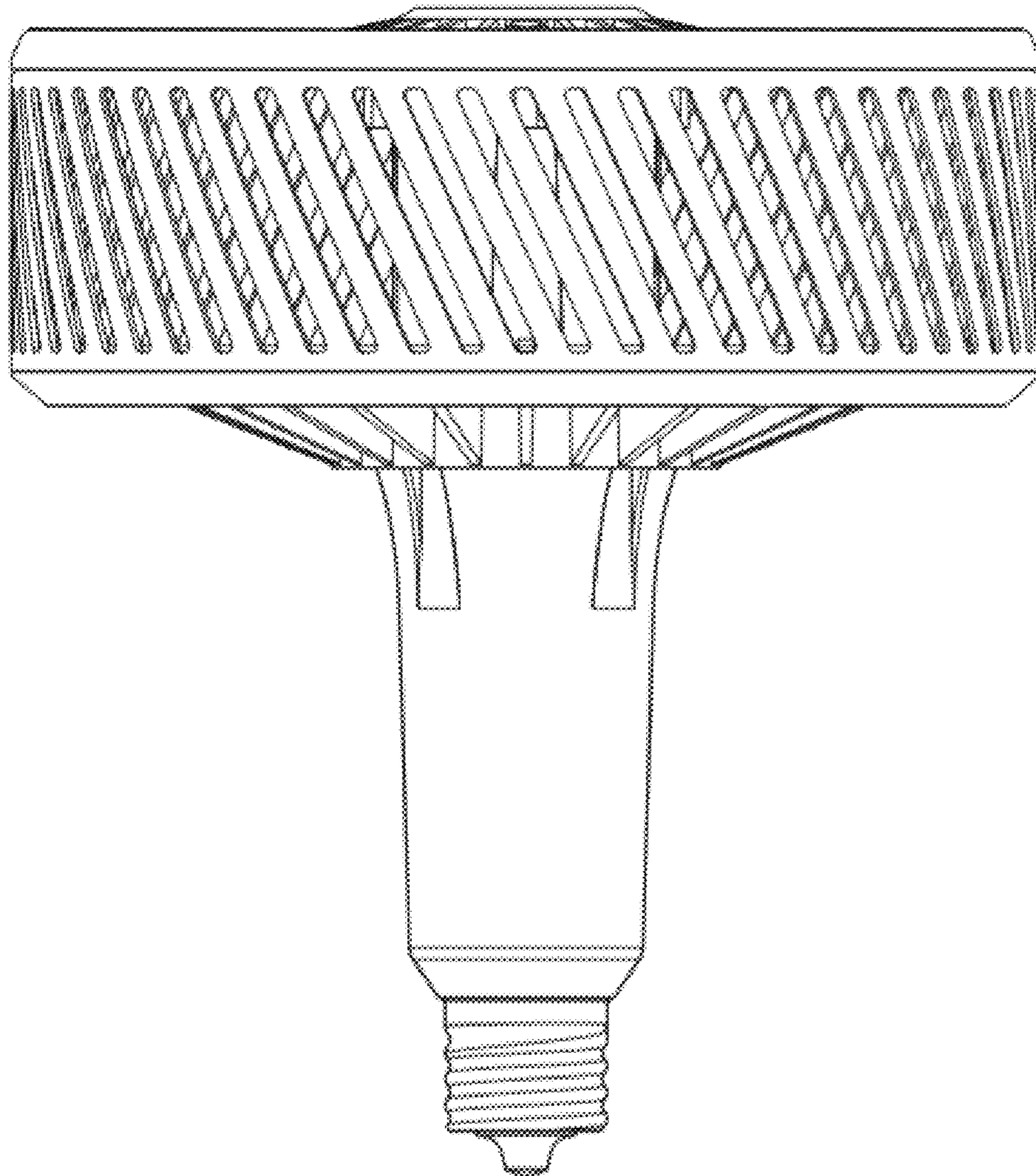


Fig. 3

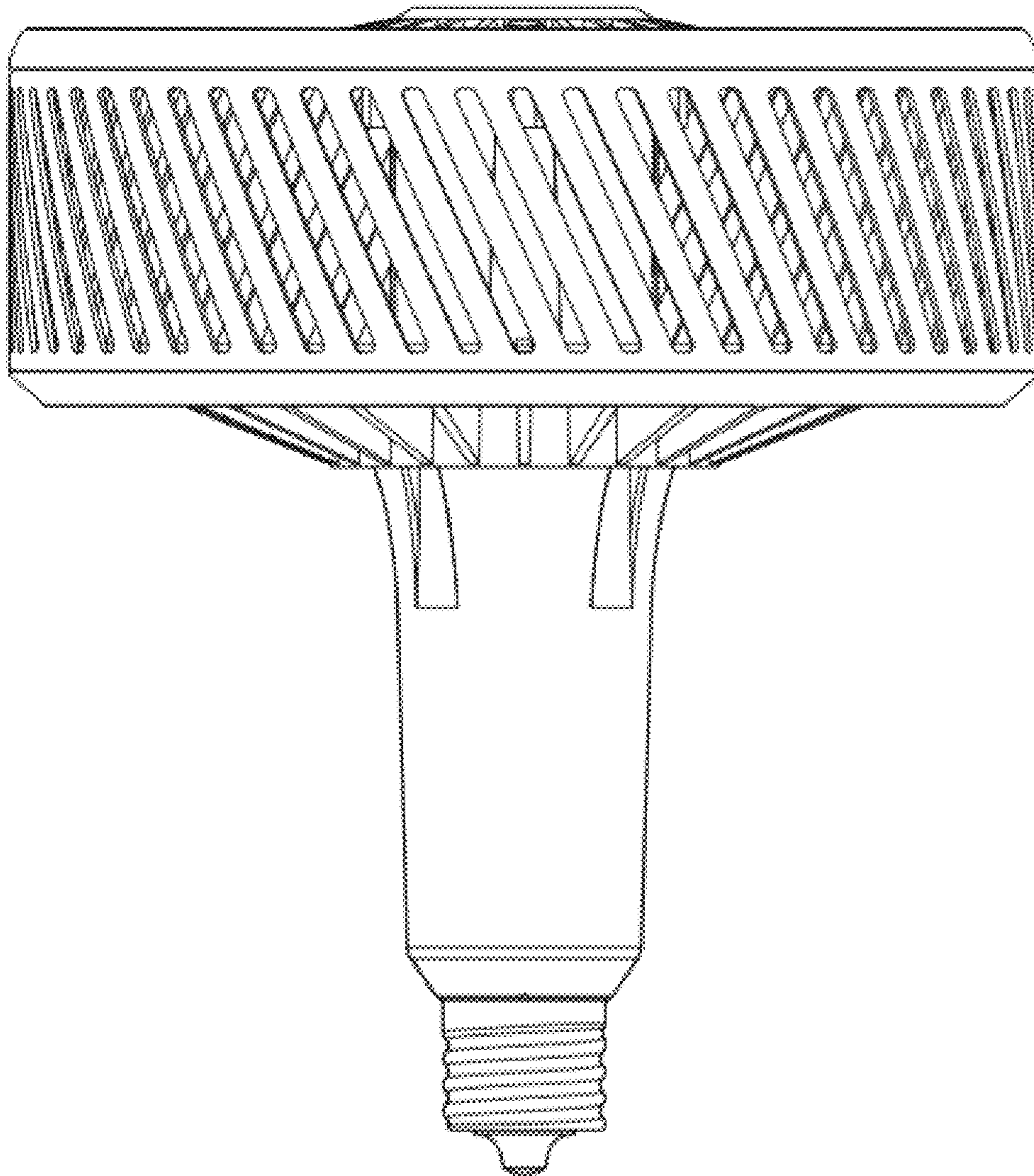


Fig. 4



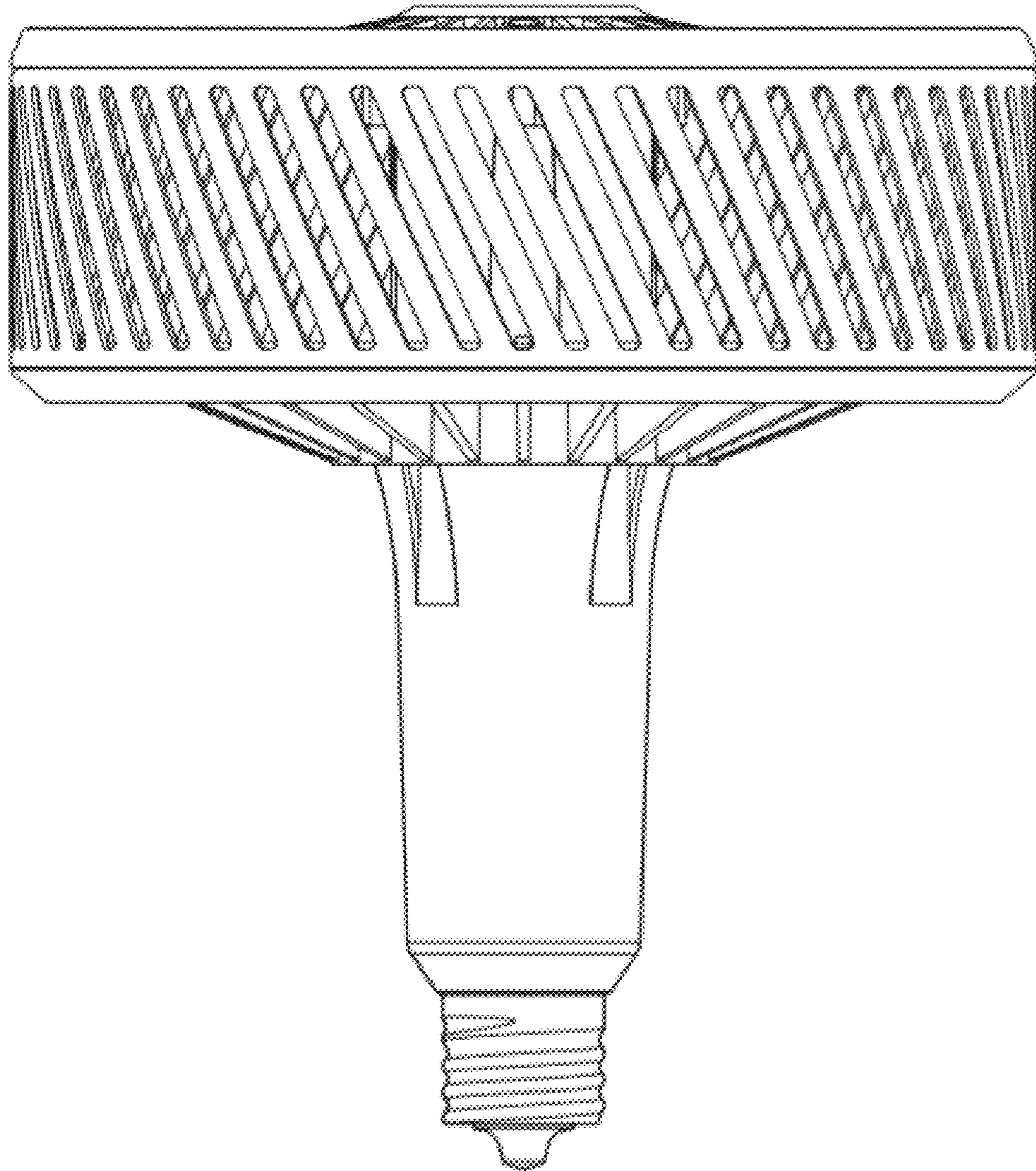


Fig. 5



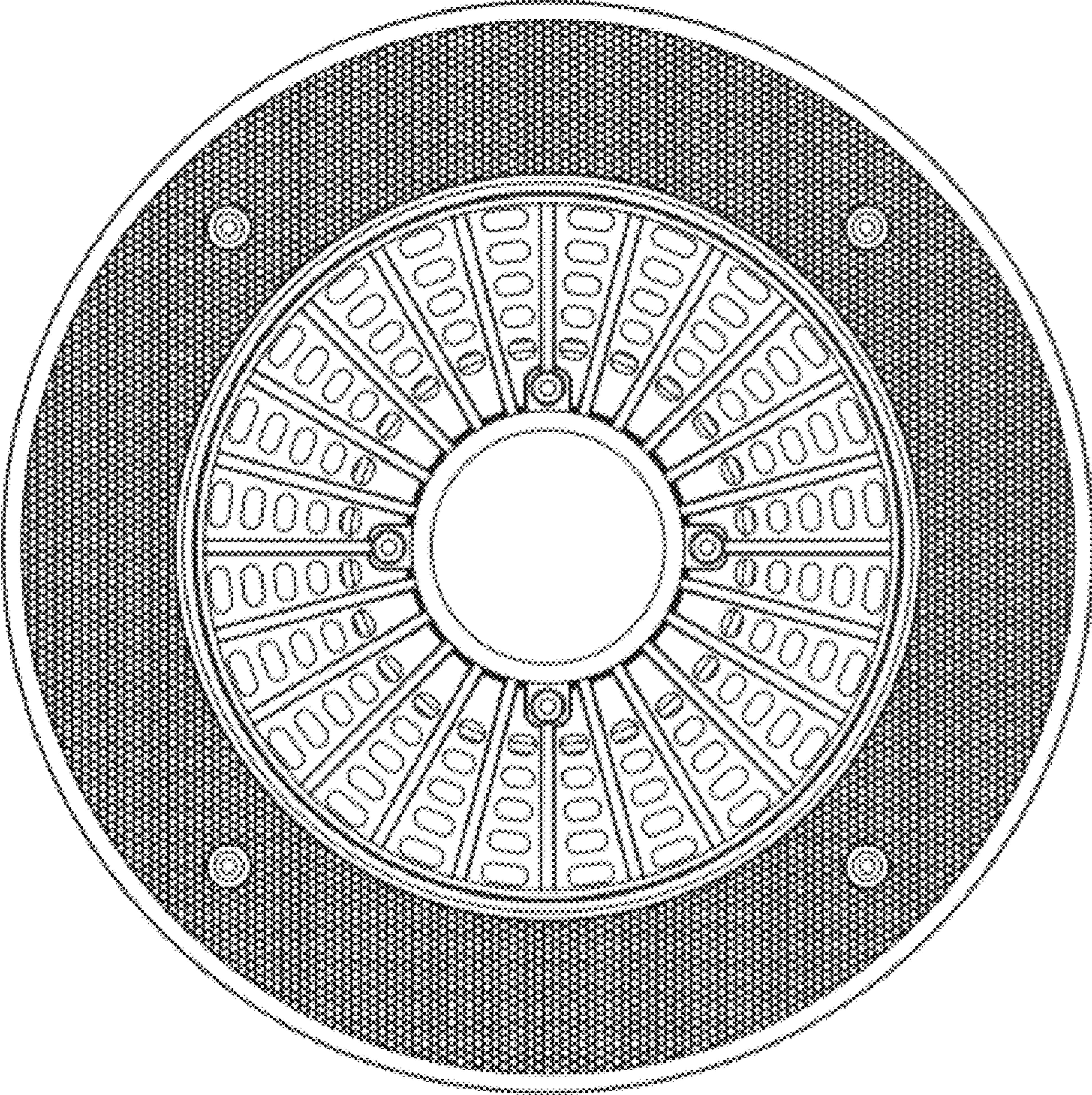


Fig. 6



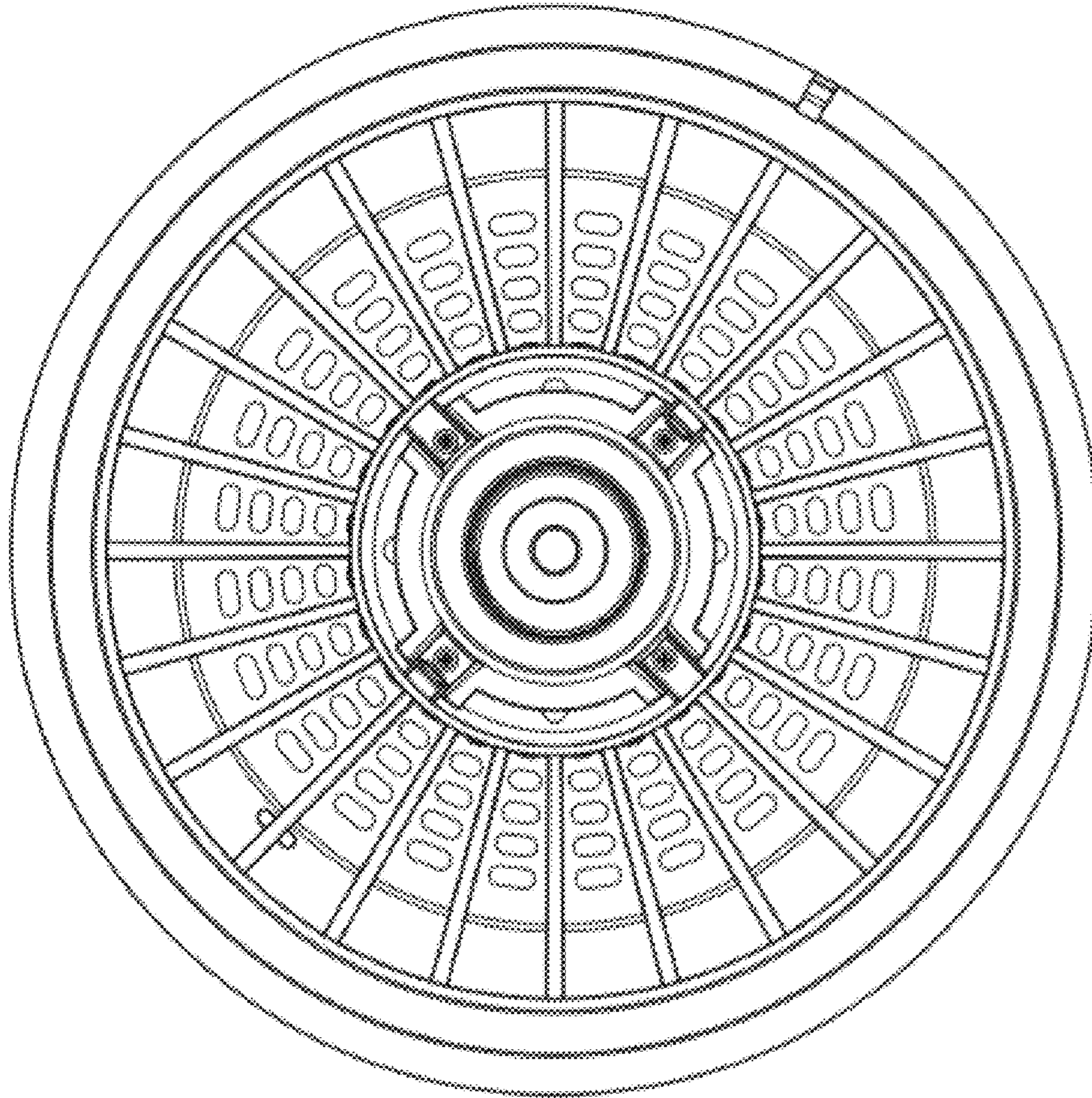


Fig. 7