



US00D902444S

(12) **United States Design Patent** (10) **Patent No.:** **US D902,444 S**
Suga (45) **Date of Patent:** **** Nov. 17, 2020**

(54) **CONCRETE BUILDING BLOCK**

(71) Applicant: **ASURO Co., LTD.**, Saitama (JP)

(72) Inventor: **Masaaki Suga**, Shiraoka (JP)

(**) Term: **15 Years**

(21) Appl. No.: **35/507,126**

(22) Filed: **Jan. 24, 2019**

(80) **Hague Agreement Data**

Int. Filing Date: **Jan. 24, 2019**

Int. Reg. No.: **DM/201487**

Int. Reg. Date: **Jan. 24, 2019**

Int. Reg. Pub. Date: **Aug. 2, 2019**

(30) **Foreign Application Priority Data**

Jul. 24, 2018 (JP) 2018-016153

(51) **LOC (12) Cl.** **25-01**

(52) **U.S. Cl.**
USPC **D25/115**

(58) **Field of Classification Search**

USPC D25/119, 35, 60, 61, 113, 114, 115, 118,
D25/120, 121, 122, 123, 124, 125, 126,
D25/127, 128, 129, 130, 131, 132, 133,
D25/134, 135, 136, 164, 199; D6/702,
D6/709.2, 709.21, 712; D8/354, 373,
D8/374, 375, 376, 377, 380, 381, 382,
D8/400, 402, 403, 499; D21/468, 470,
D21/471, 478, 479, 484-505

CPC A47B 2210/0091; A47B 2210/0094; E04B
1/82; E04B 1/84; E04B 2001/747; E04B
2009/186; E04B 77/38; E04B 77/42;
E04C 3/00; E04C 3/005; E04C 3/02;
E04C 3/12; E04C 3/20; E04C 3/28; E04C
3/30; B65G 1/0464; B65G 1/0492; B65G
1/1373

See application file for complete search history.

(56) **References Cited**

U.S. PATENT DOCUMENTS

D244,201	S	*	5/1977	Muse	D25/115
4,426,815	A	*	1/1984	Brown	A63H 33/088 52/100
D368,313	S	*	3/1996	Schulz, Jr.	D25/118
D408,930	S	*	4/1999	Behunin	D25/114
D472,455	S	*	4/2003	Wall	D25/119
D484,616	S	*	12/2003	Stenekes	D25/118
D596,319	S	*	7/2009	Koehn	D25/122
D602,171	S	*	10/2009	Rodebaugh	D25/113
D603,063	S	*	10/2009	Arnold	D25/114
D655,021	S	*	2/2012	Oetlinger	D25/119
D706,125	S	*	6/2014	Wendt	D25/119
D827,156	S	*	8/2018	Rossi	D25/113
D855,835	S	*	8/2019	Pivac	D25/114

* cited by examiner

Primary Examiner — Samantha Q Lawrence

(57) **CLAIM**

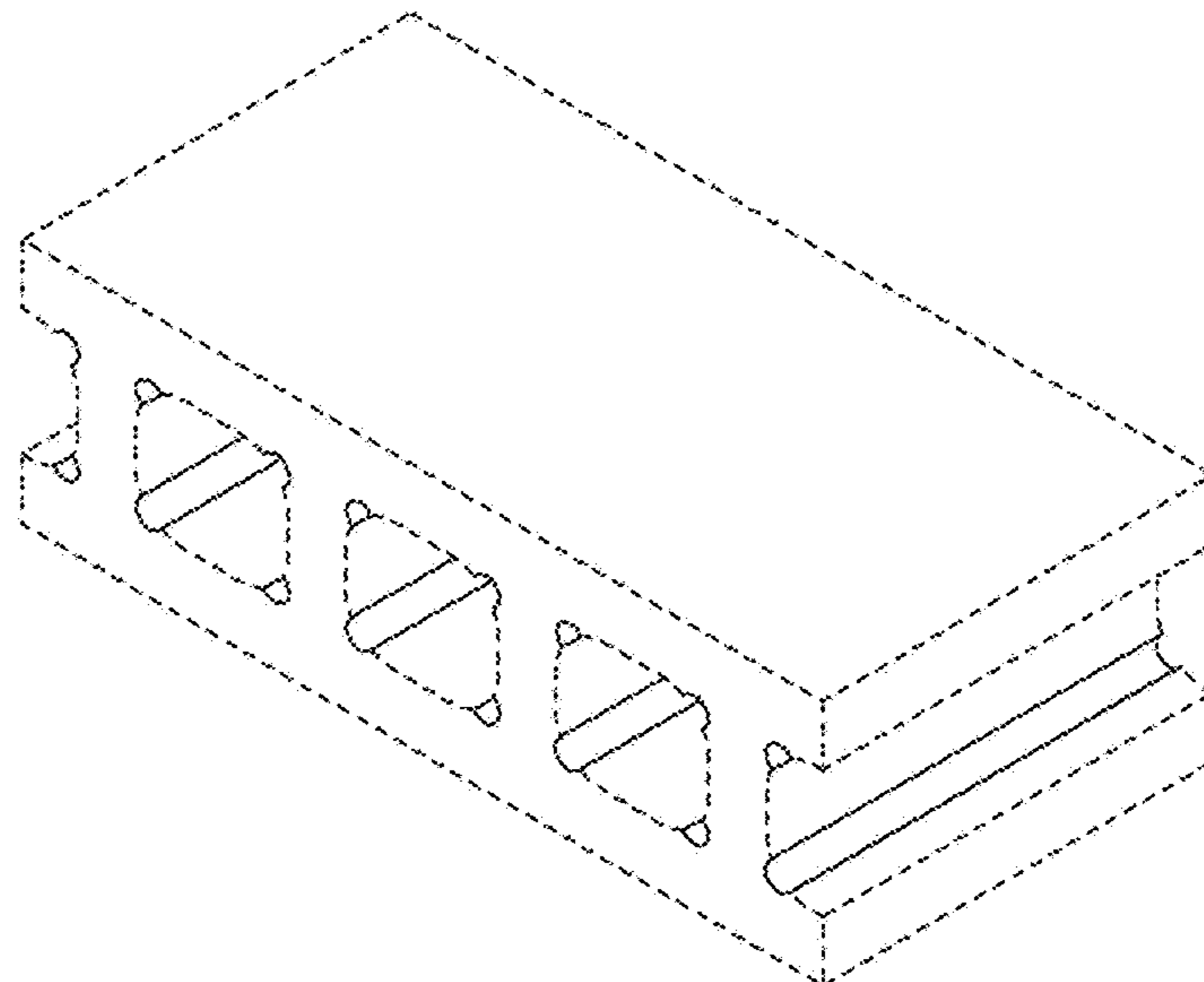
The ornamental design for a concrete building block, as shown and described.

DESCRIPTION

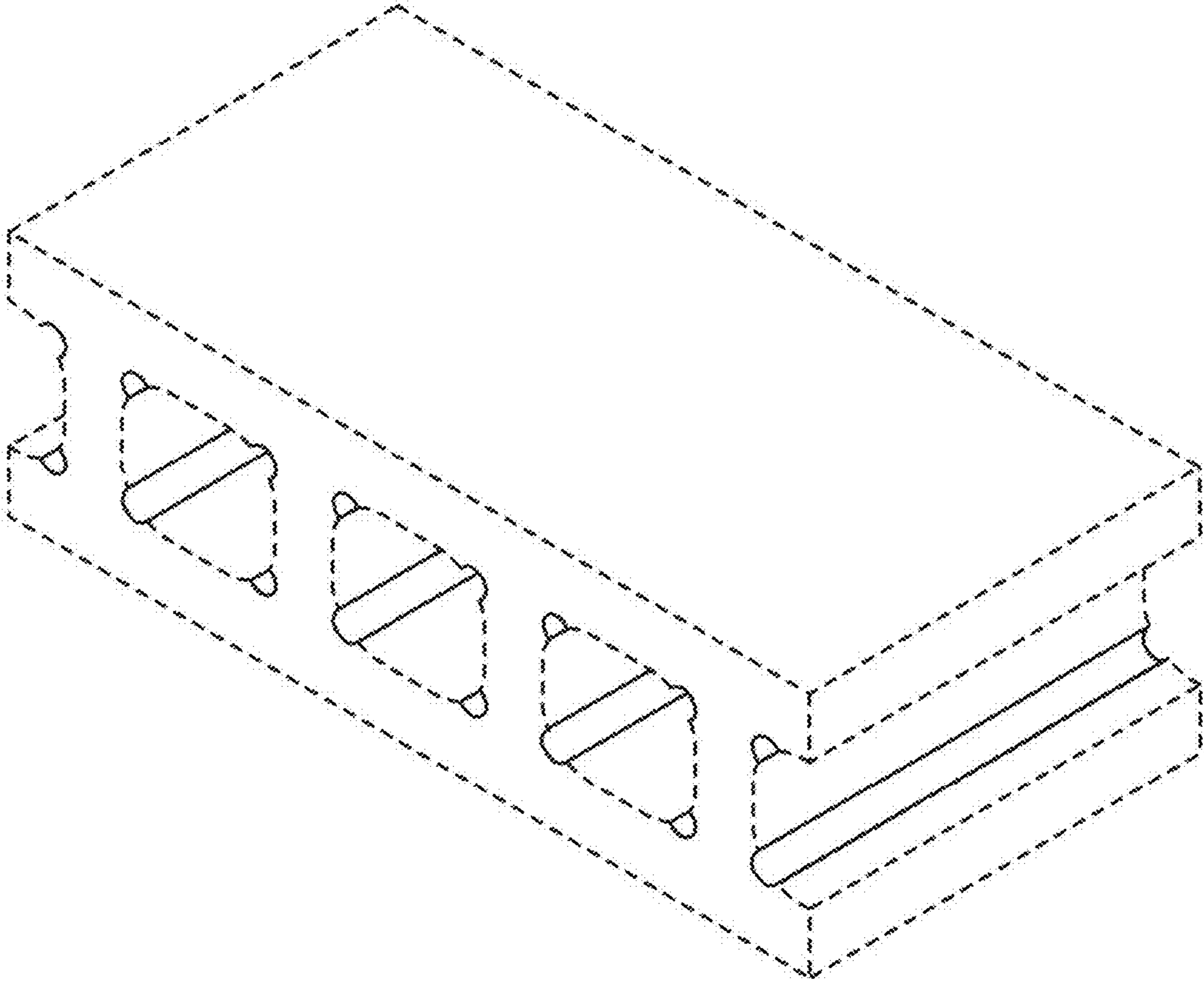
1. Concrete building block
FIG. 1.1 is a perspective view of a concrete building block;
FIG. 1.2 is a front view thereof;
FIG. 1.3 is a back view thereof;
FIG. 1.4 is a top view thereof;
FIG. 1.5 is a bottom view thereof;
FIG. 1.6 is a right side view thereof;
FIG. 1.7 is a left side view thereof; and
FIG. 1.8 is a cross-sectional view thereof taken along line 1.8 in FIG. 1.2.

The broken lines shown in FIGS. 1.1-1.8 illustrate portions of the concrete building block that form no part of the claimed design.

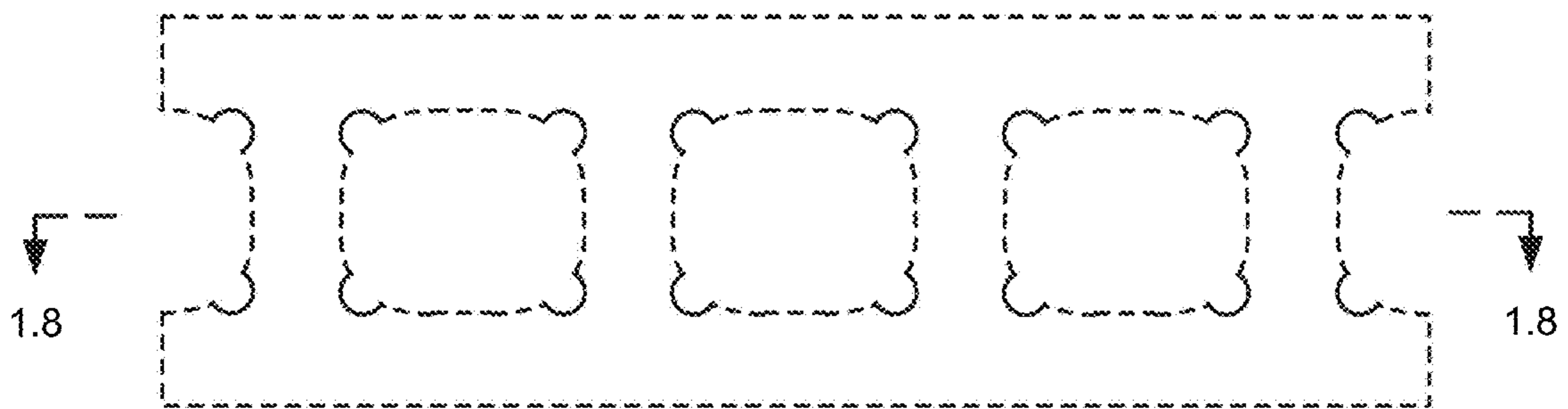
1 Claim, 8 Drawing Sheets



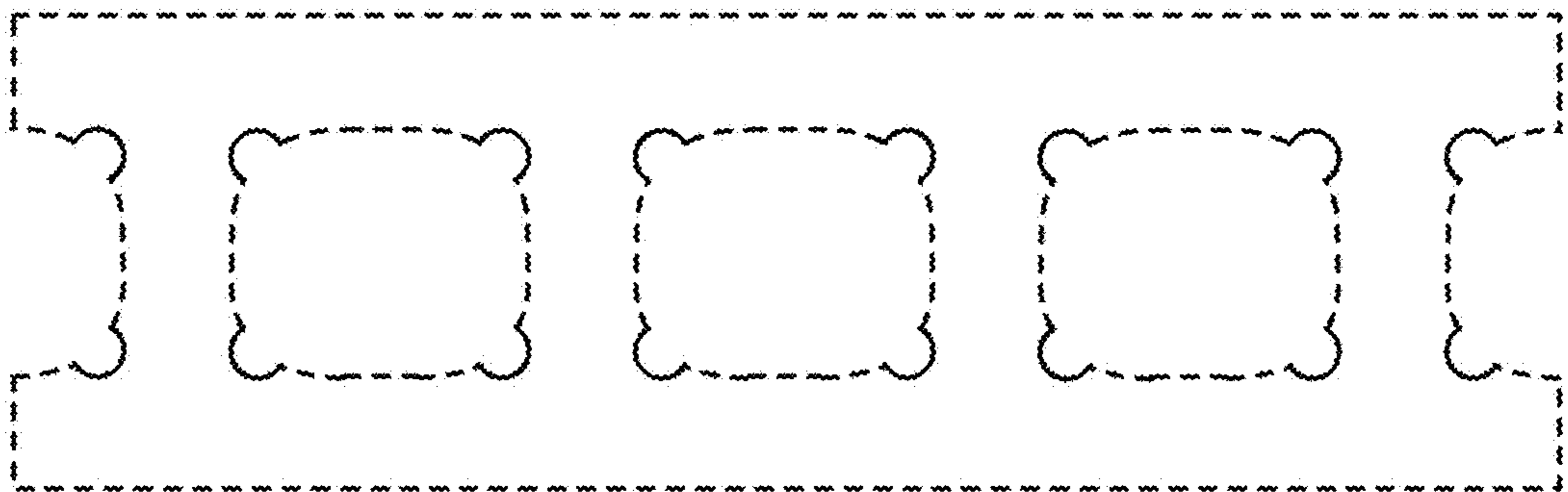
1.1



1.2



1.3



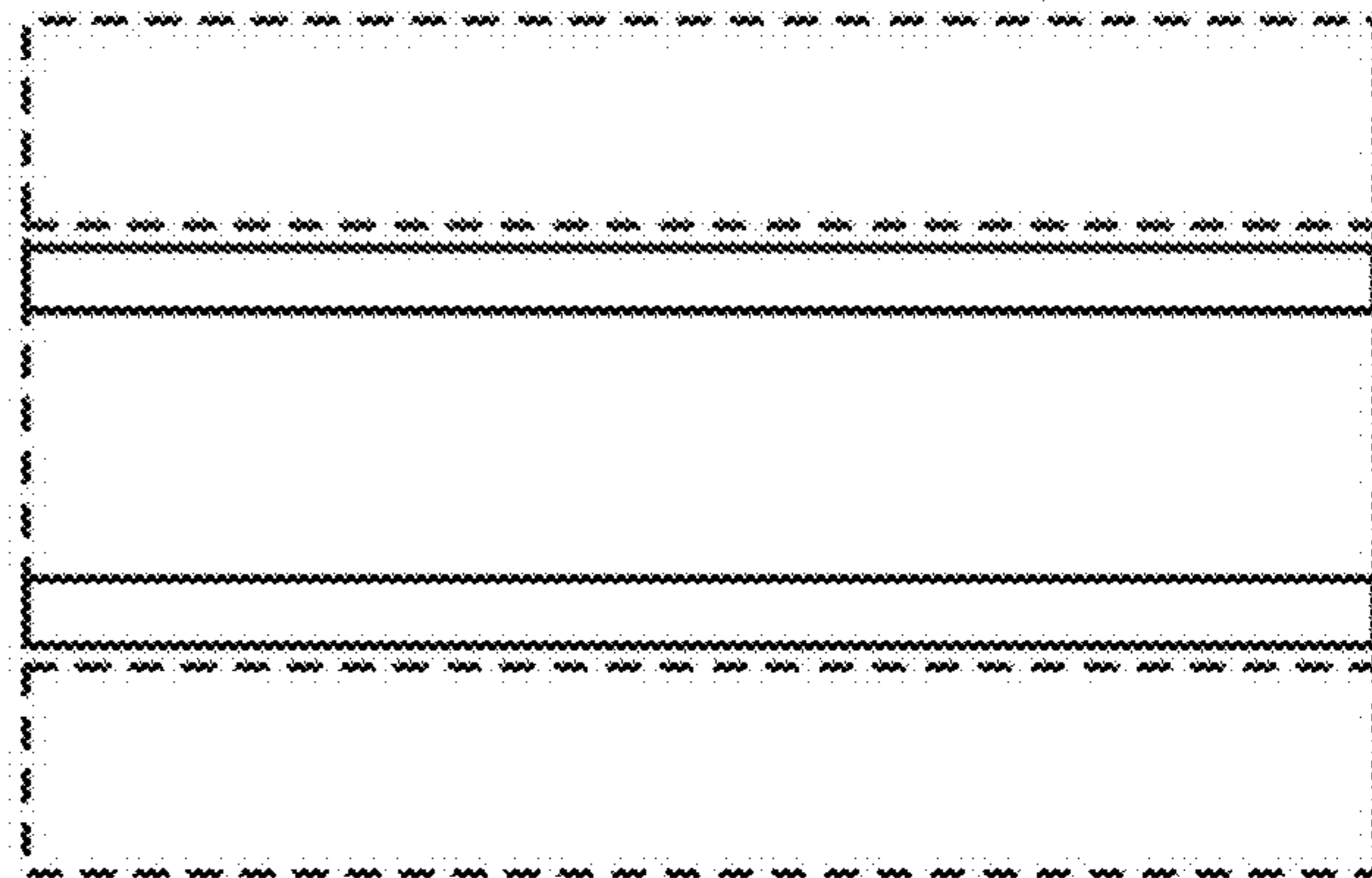
1.4



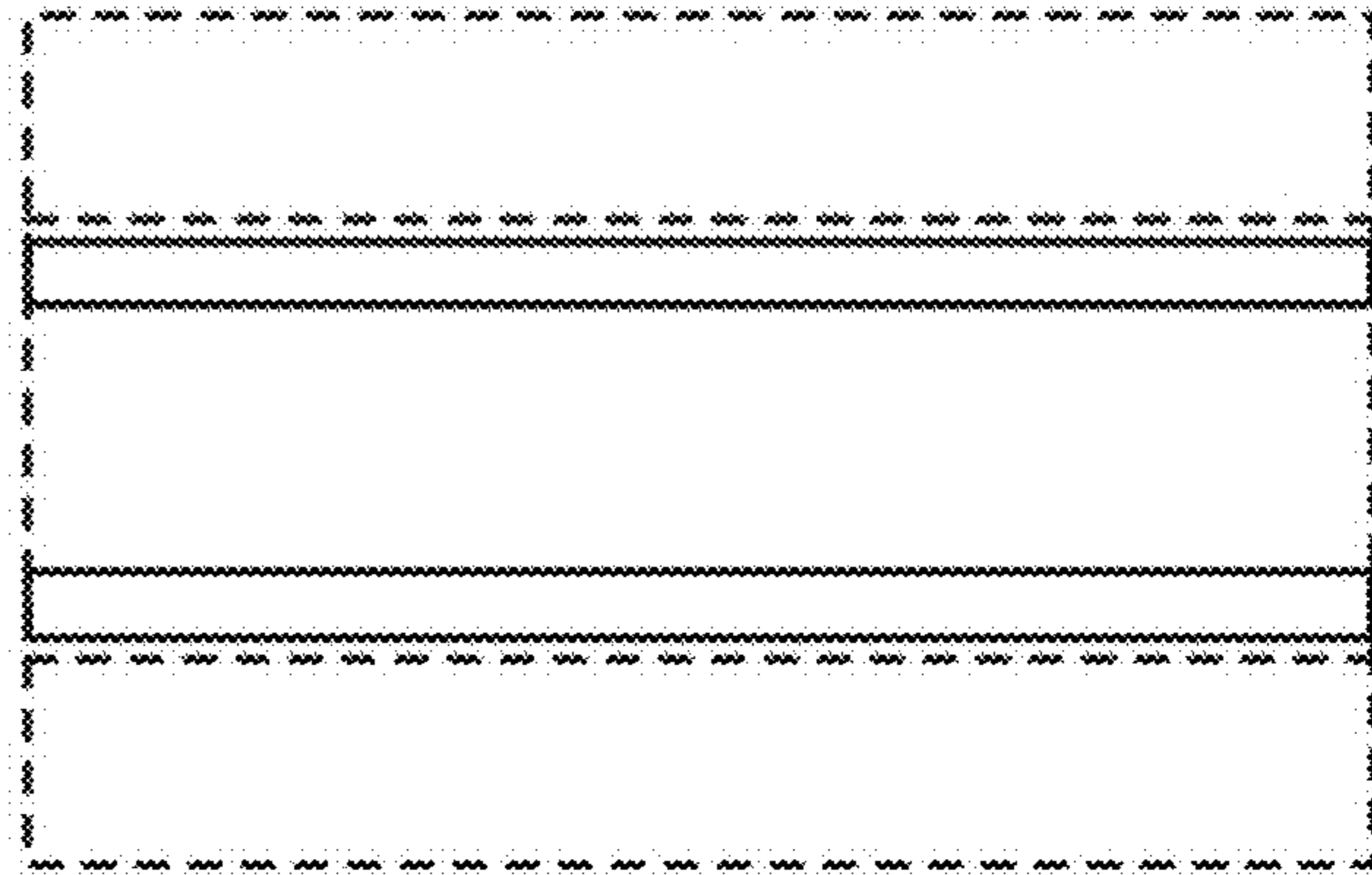
1.5



1.6



1.7



1.8

