



US00D902443S

(12) **United States Design Patent** (10) **Patent No.:** **US D902,443 S**  
**Baltz, Jr.** (45) **Date of Patent:** **\*\* Nov. 17, 2020**

- (54) **EXTENDED DRAIN SCREED**
- (71) Applicant: **Alabama Metal Industries Corporation**, Birmingham, AL (US)
- (72) Inventor: **Gary George Baltz, Jr.**, Mountain Brook, AL (US)
- (73) Assignee: **ALABAMA METAL INDUSTRIES CORPORATION**
- (\*\*) Term: **15 Years**
- (21) Appl. No.: **29/707,283**
- (22) Filed: **Sep. 27, 2019**
- (51) **LOC (12) Cl.** ..... **25-01**
- (52) **U.S. Cl.**  
USPC ..... **D25/102; D25/164**
- (58) **Field of Classification Search**  
USPC ..... D25/102, 119-123, 136, 137, 164, 199;  
D23/259, 267, 268  
CPC ..... E04F 19/02; E04F 19/04; E04F 2019/044;  
E04F 2019/0445; E04F 13/00; E04F 13/007; E04B 1/7038; E04B 1/7069;  
E04B 1/7076; E04B 1/70; E04D 13/152;  
E04D 13/00; E04D 13/0445; E04D 13/0459; E04D 13/0481; E04D 13/064;  
E04D 13/0468; E06B 1/00; E06B 1/34;  
E06B 1/56; E06B 1/62; E06B 1/64; E06B 1/68; E06B 2001/628  
See application file for complete search history.

- D792,609 S \* 7/2017 Smith ..... D25/119
- D815,757 S \* 4/2018 Braun ..... E04F 19/064
- D25/119
- 10,196,812 B1 \* 2/2019 Duffy ..... E04F 13/06
- D861,196 S \* 9/2019 Apanovich ..... D25/164
- 10,533,324 B2 \* 1/2020 Baltz, Jr. .... E04F 19/04
- 10,669,721 B2 \* 6/2020 Baltz, Jr. .... E04D 13/178
- D893,051 S \* 8/2020 Baltz, Jr. .... D25/102

(Continued)

*Primary Examiner* — Mark A Goodwin  
(74) *Attorney, Agent, or Firm* — Jennifer Meredith;  
Lippes Mathias Wexler Friedman LLP

(57) **CLAIM**

I claim the ornamental design for the extended drain screed, as shown and described.

**DESCRIPTION**

FIG. 1 is a top front perspective view of the extended drain screed;  
 FIG. 2 is a top rear perspective view of the extended drain screed;  
 FIG. 3 is a front view of the extended drain screed;  
 FIG. 4 is a back view of the extended drain screed;  
 FIG. 5 is a side view of the extended drain screed;  
 FIG. 6 is a side view of the extended drain screed;  
 FIG. 7 is a top view of the extended drain screed;  
 FIG. 8 is a bottom view of the extended drain screed;  
 FIG. 9 is a side view of the extended drain screed with a dotted cutaway depicting the cutaway of FIG. 10;  
 FIG. 10 is a perspective cutaway view of the extended drain screed shown in lines 10-10 in FIG. 9;  
 FIG. 11 is a side view of the extended drain screed showing a highlighted dotted line area depicted in FIG. 12; and  
 FIG. 12 is a close up view of the extended drain screed shown in the circular broken line area 12 depicted in FIG. 11.

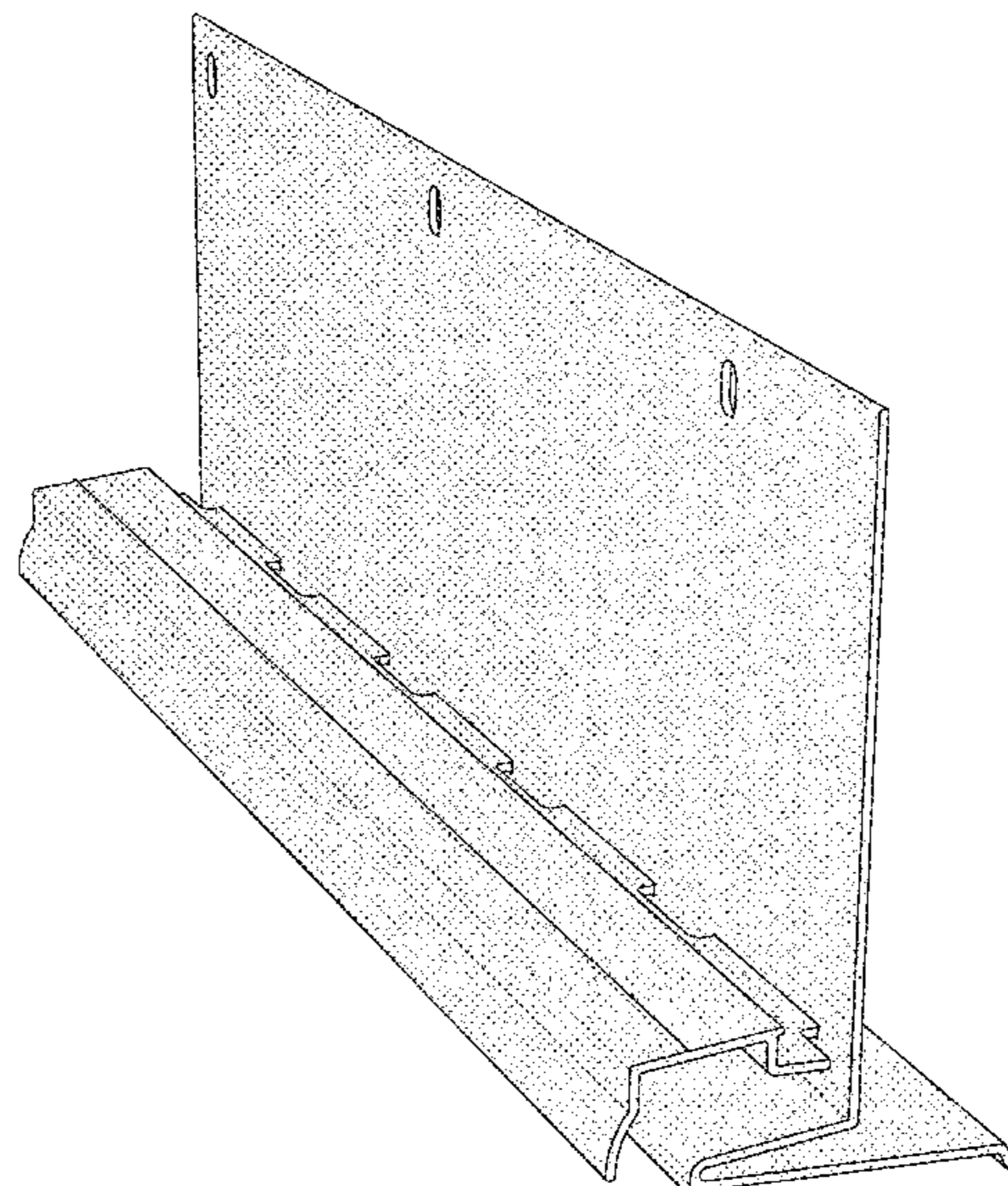
The broken line drawing indicators form no part of the claimed design.

**1 Claim, 12 Drawing Sheets**

(56) **References Cited**

**U.S. PATENT DOCUMENTS**

- 5,836,135 A \* 11/1998 Hagan ..... E04B 1/762  
52/836
- D624,212 S \* 9/2010 Sawyer ..... D25/136
- D700,717 S \* 3/2014 Campacci ..... D25/119
- D703,306 S \* 4/2014 Little ..... D23/393
- D703,307 S \* 4/2014 Little ..... D23/393



(56)

**References Cited**

U.S. PATENT DOCUMENTS

10,753,083	B2 *	8/2020	Baltz, Jr. ....	E04B 1/7038
D896,993	S *	9/2020	Baltz, Jr. ....	D25/102
2009/0183453	A1 *	7/2009	Koessler .....	E04F 17/04 52/302.3
2012/0174495	A1 *	7/2012	Nolan .....	E04F 19/045 52/58
2019/0186147	A1 *	6/2019	Baltz, Jr. ....	E04B 1/70
2020/0157798	A1 *	5/2020	Baltz, Jr. ....	E04F 19/061

\* cited by examiner

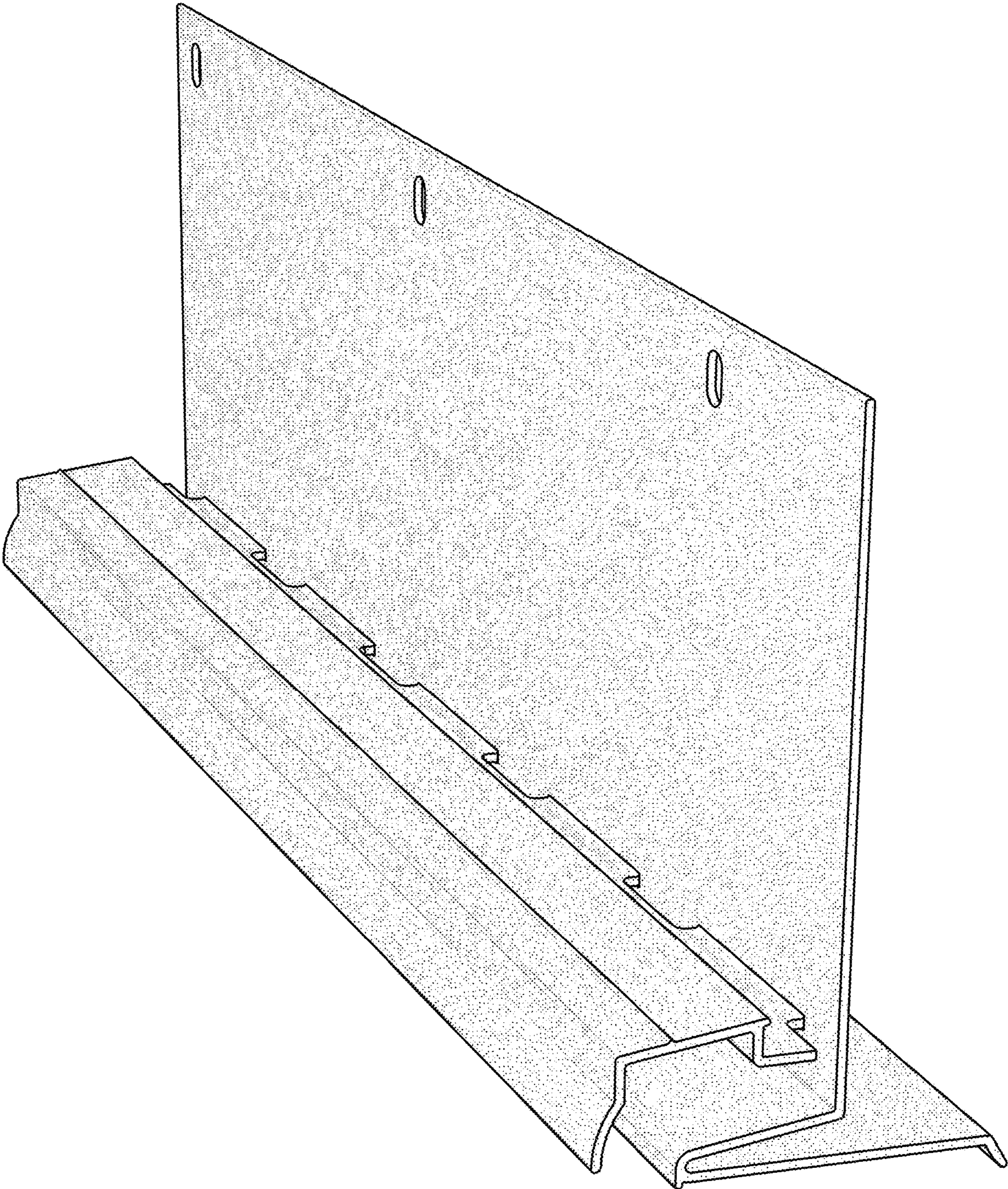


FIG.1

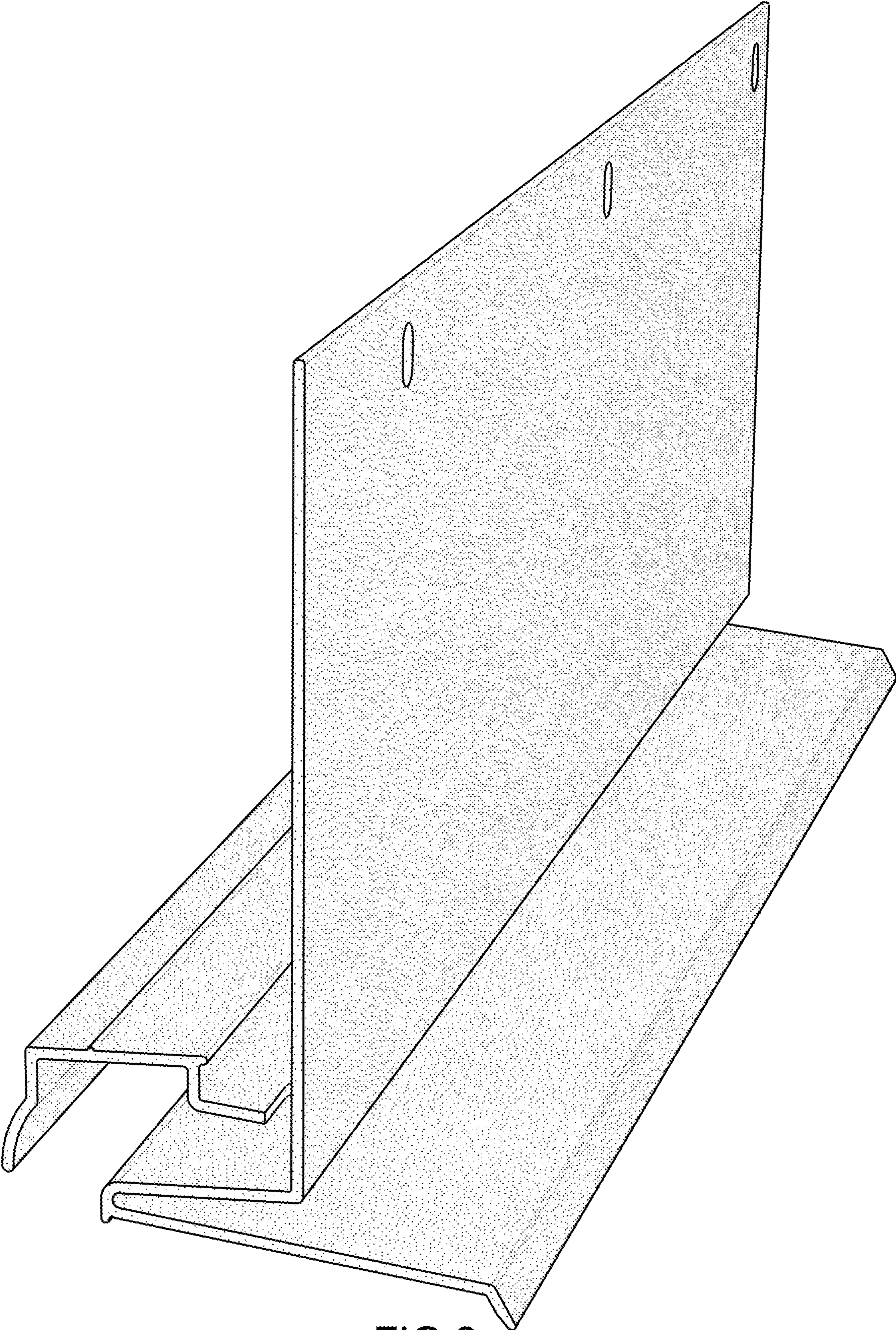


FIG.2

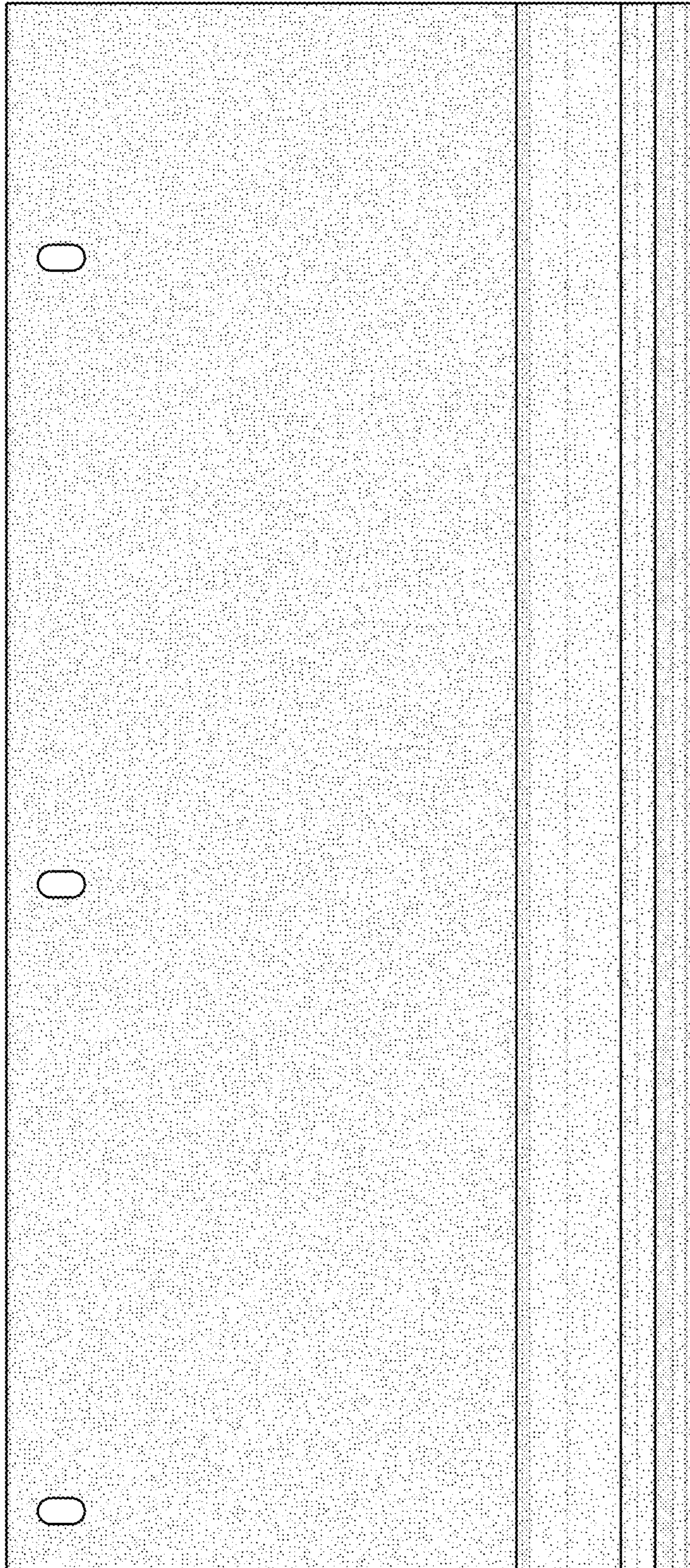


FIG.3

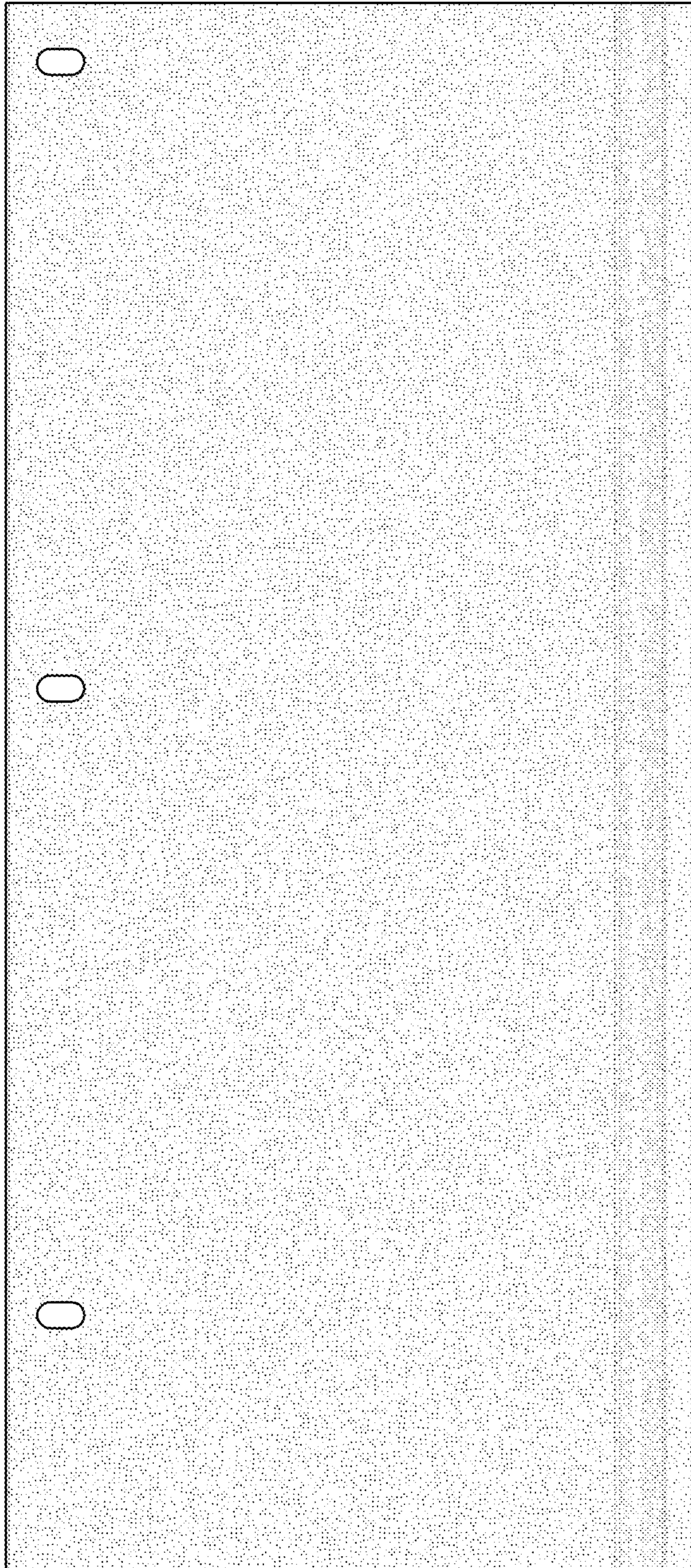


FIG.4

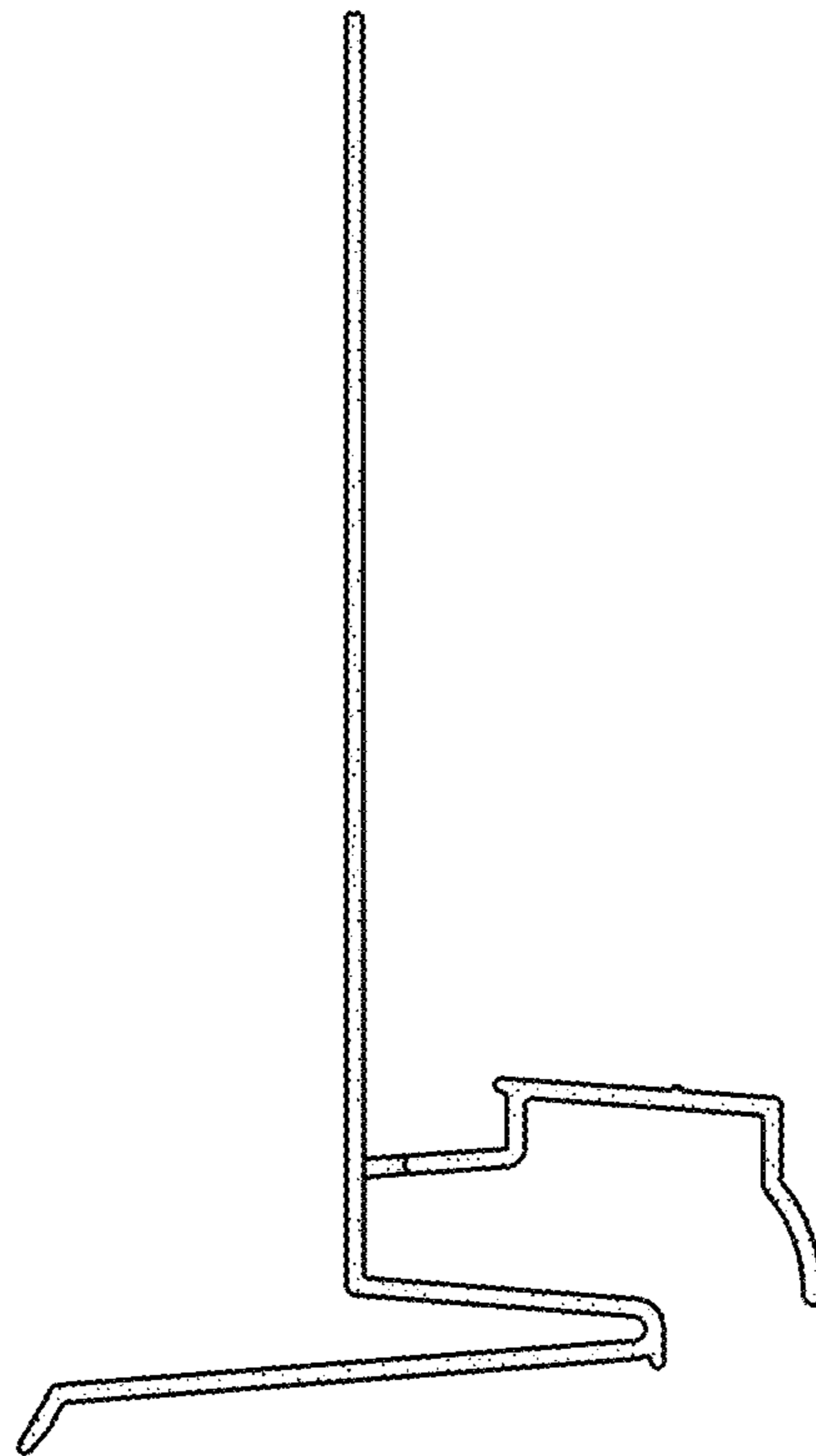


FIG.5

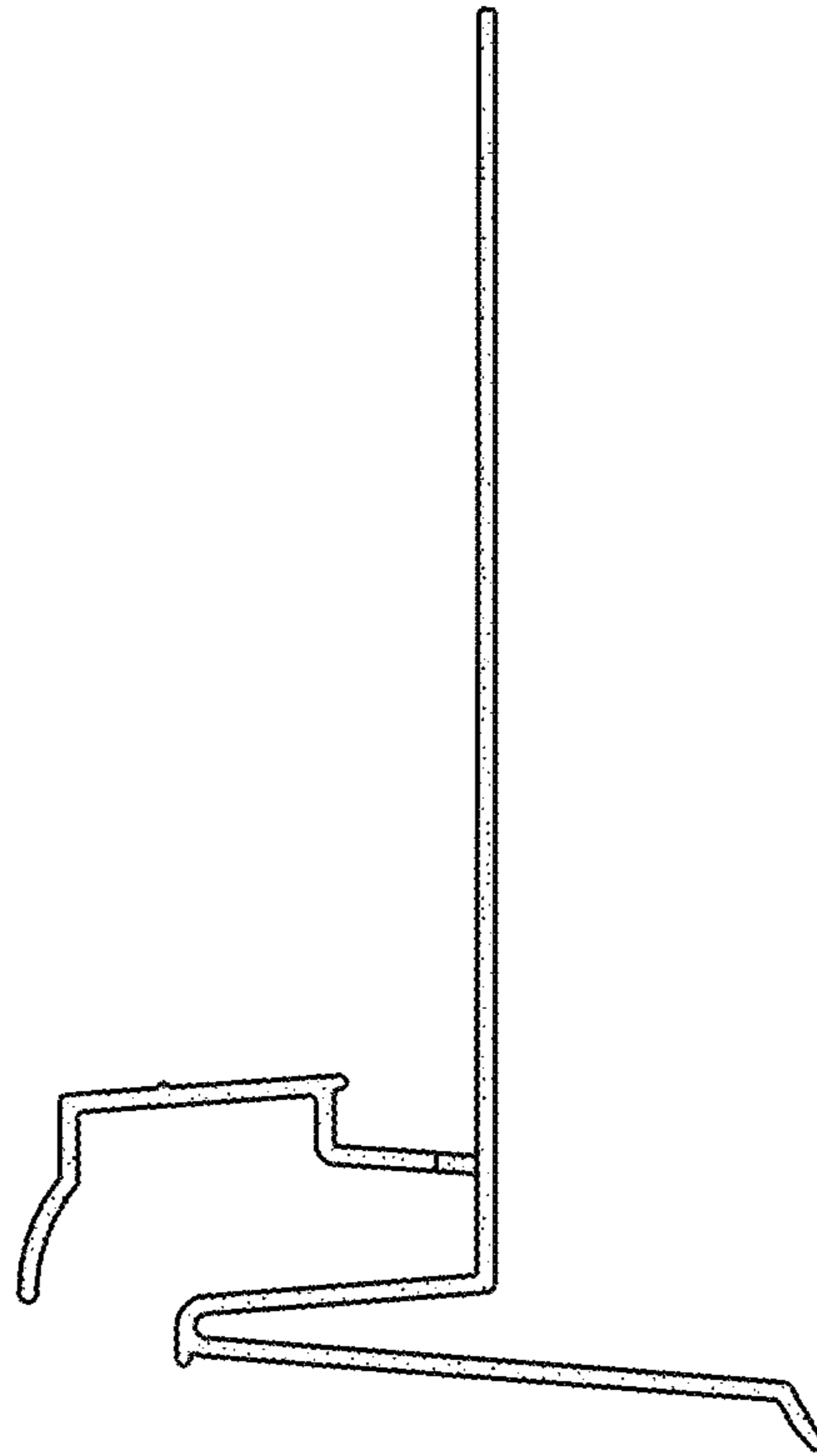


FIG.6



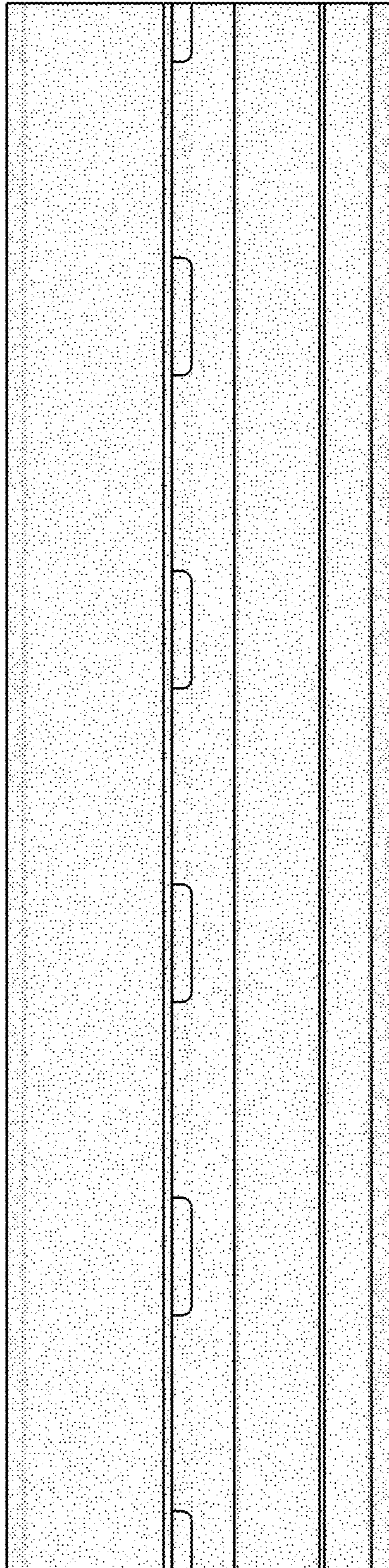


FIG.7

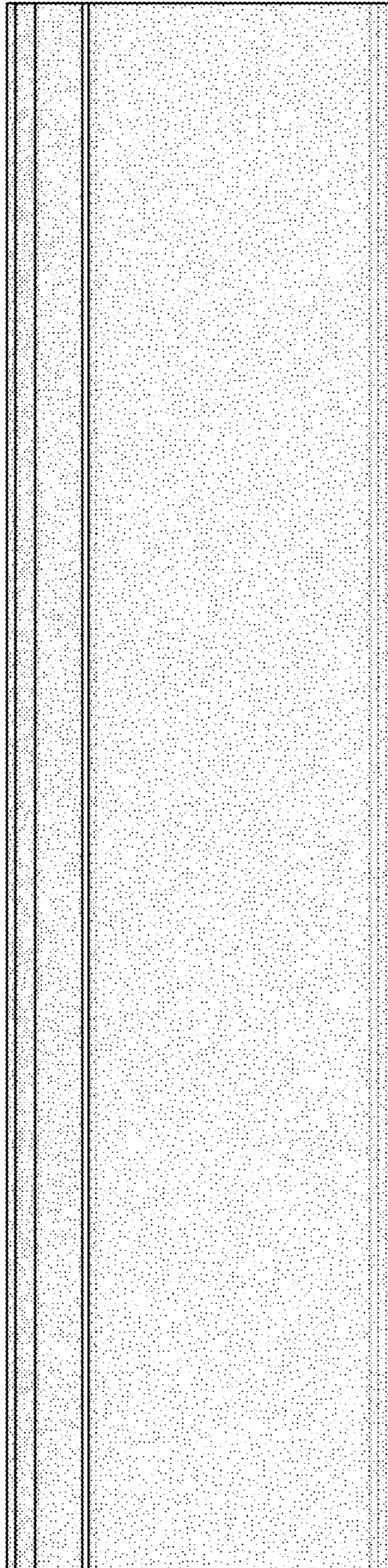


FIG.8

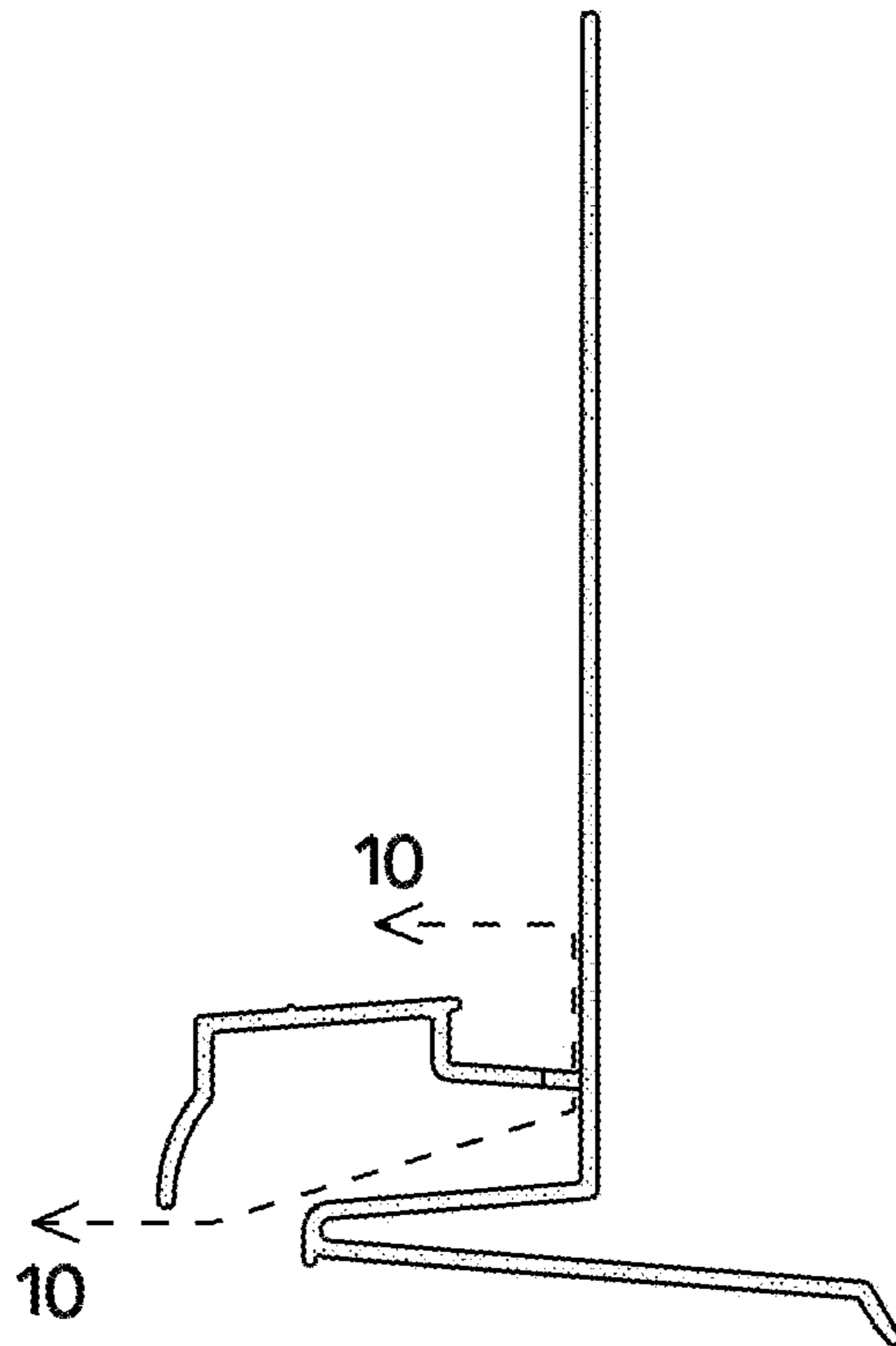


FIG.9

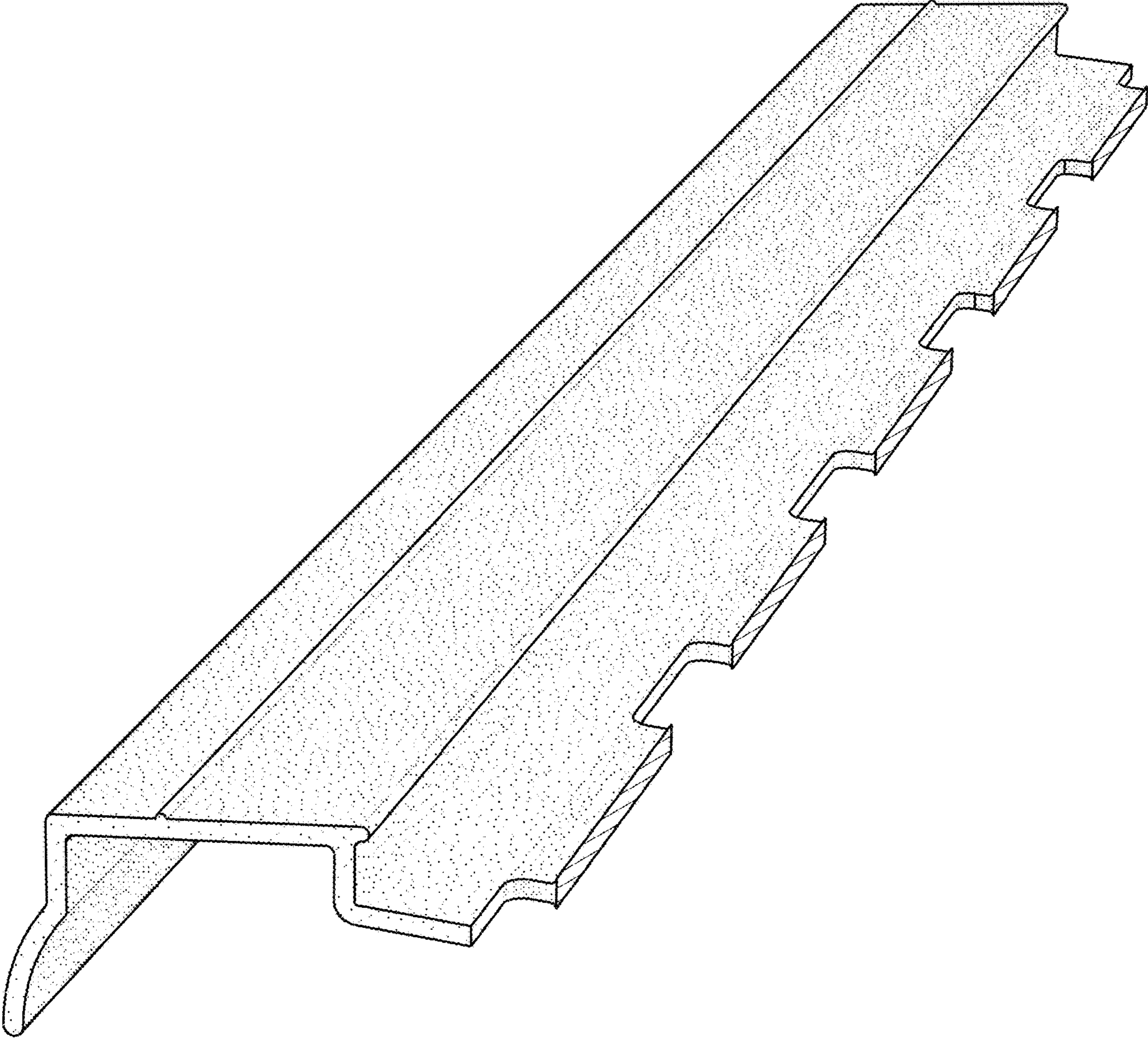


FIG.10

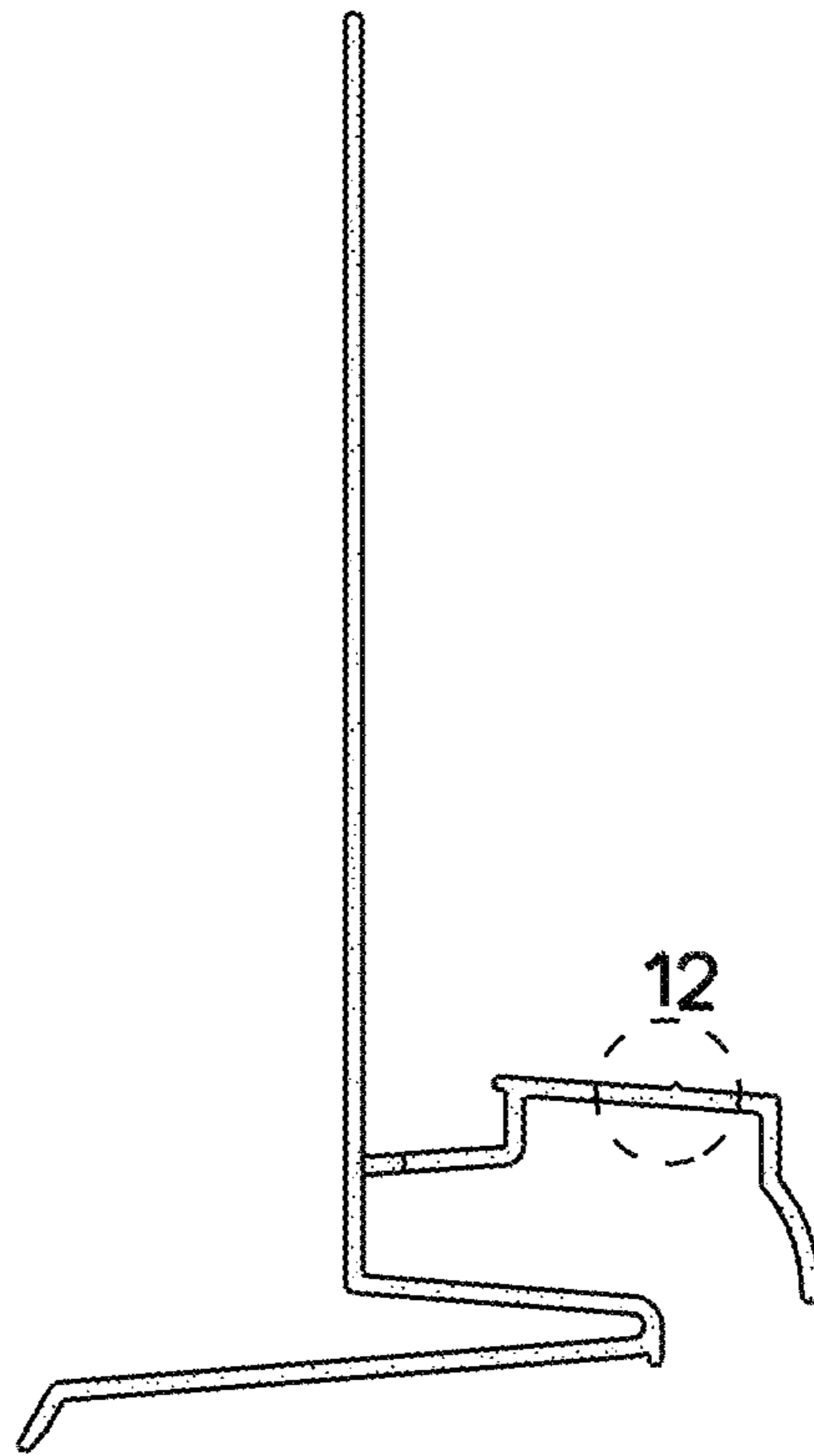


FIG.11

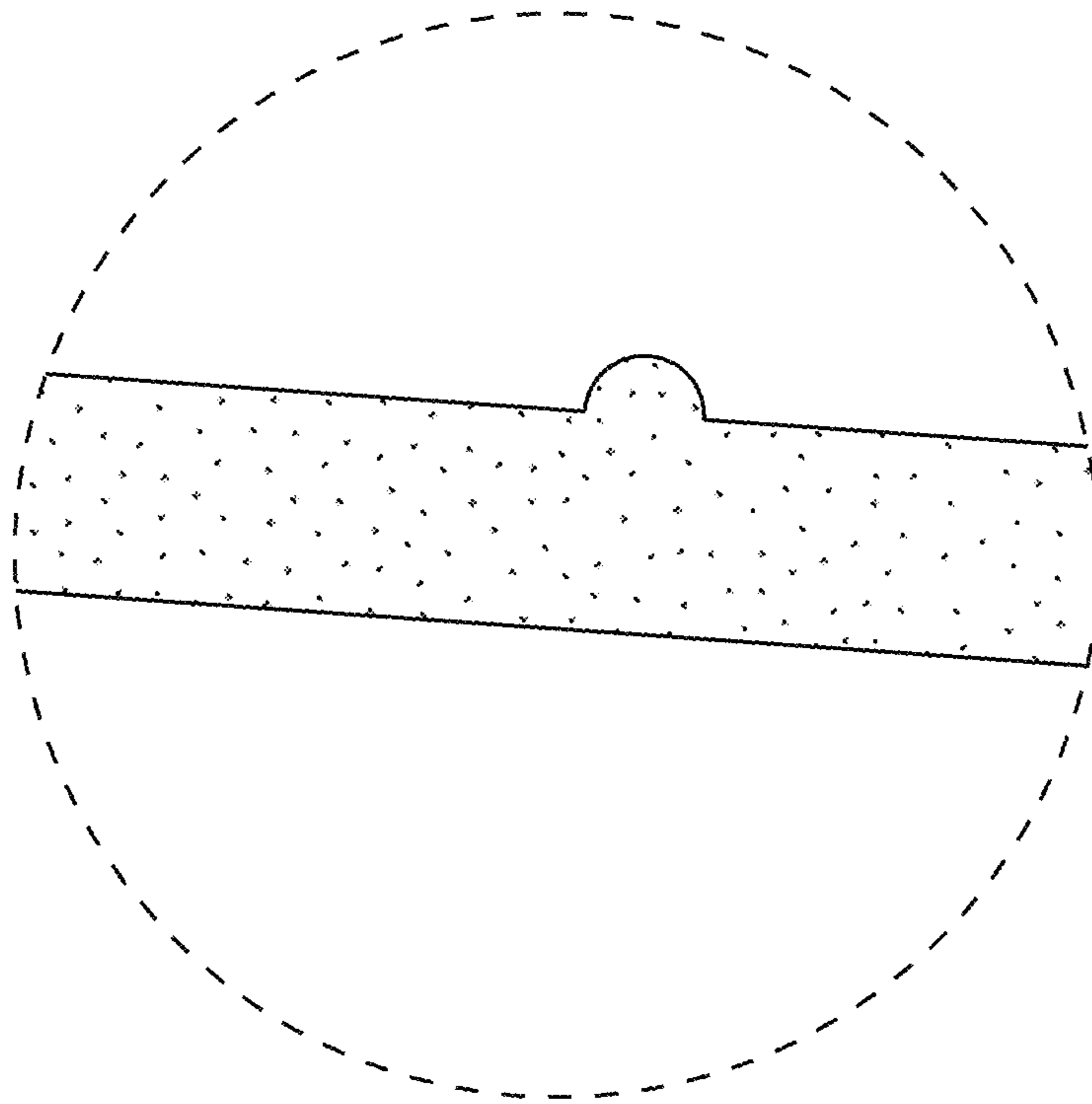


FIG.12