



US00D902442S

(12) **United States Design Patent**
Wolff

(10) **Patent No.:** **US D902,442 S**

(45) **Date of Patent:** **** Nov. 17, 2020**

(54) **LIFTED INSTALLATION SYSTEM ADAPTER FOR MODULAR SHIPPING CONTAINER BUILDINGS**

(71) Applicant: **James L. Wolff**, Pompano Beach, FL (US)

(72) Inventor: **James L. Wolff**, Pompano Beach, FL (US)

(**) Term: **15 Years**

(21) Appl. No.: **29/740,749**

(22) Filed: **Jul. 7, 2020**

(51) **LOC (12) Cl.** **25-04**

(52) **U.S. Cl.**
USPC **D25/68**; D34/38; D25/61

(58) **Field of Classification Search**
USPC D25/1, 4, 32, 35, 38.1, 43, 44, 61, 62, D25/66, 199, 14, 68; D34/28, 38, 39
CPC B65D 2519/00059; B65D 2519/00024; B65D 88/121; B65D 88/129; E04H 3/28; E04H 2001/1283
See application file for complete search history.

(56) **References Cited**

U.S. PATENT DOCUMENTS

D331,304 S *	11/1992	Rice	D34/28
D354,575 S *	1/1995	Cusimano	D25/199
D366,531 S *	1/1996	Wedge	D25/66
D395,117 S *	6/1998	Persson	D34/38
5,829,364 A *	11/1998	Urbach	B65D 19/0091 108/56.1
D456,583 S *	4/2002	Schmidt	D34/28
D466,269 S *	11/2002	Falland	D34/38
D502,271 S *	2/2005	Stensrud	D25/61
D628,353 S *	11/2010	Garton	D34/38
D637,785 S *	5/2011	Miller	D34/28
D645,635 S *	9/2011	Moore	D34/38
D737,464 S *	8/2015	Edlington	D25/62
D781,453 S *	3/2017	Gomez	D25/68
D847,374 S *	4/2019	Trudell	D25/14

2007/0215568 A1 *	9/2007	Heinrichs	B65D 88/129 211/191
2015/0257530 A1 *	9/2015	Naka	A47B 47/0091 211/188
2017/0051526 A1 *	2/2017	Francis	E04H 3/28
2018/0118409 A1 *	5/2018	Bradley	B65D 88/129

FOREIGN PATENT DOCUMENTS

JP D1660991 * 6/2020

* cited by examiner

Primary Examiner — Brett Miller

(74) *Attorney, Agent, or Firm* — Nancy J. Flint, Attorney At Law, P.A.; Nancy J. Flint, Esq.

(57) **CLAIM**

The ornamental design for a lifted installation system adapter for modular shipping container buildings, as shown and described.

DESCRIPTION

FIG. 1 is a perspective view of a lifted installation system adapter for modular shipping container buildings showing my new design;

FIG. 2 is a left side view of the lifted installation system adapter for modular shipping container buildings;

FIG. 3 is a front view of the lifted installation system adapter for modular shipping container buildings;

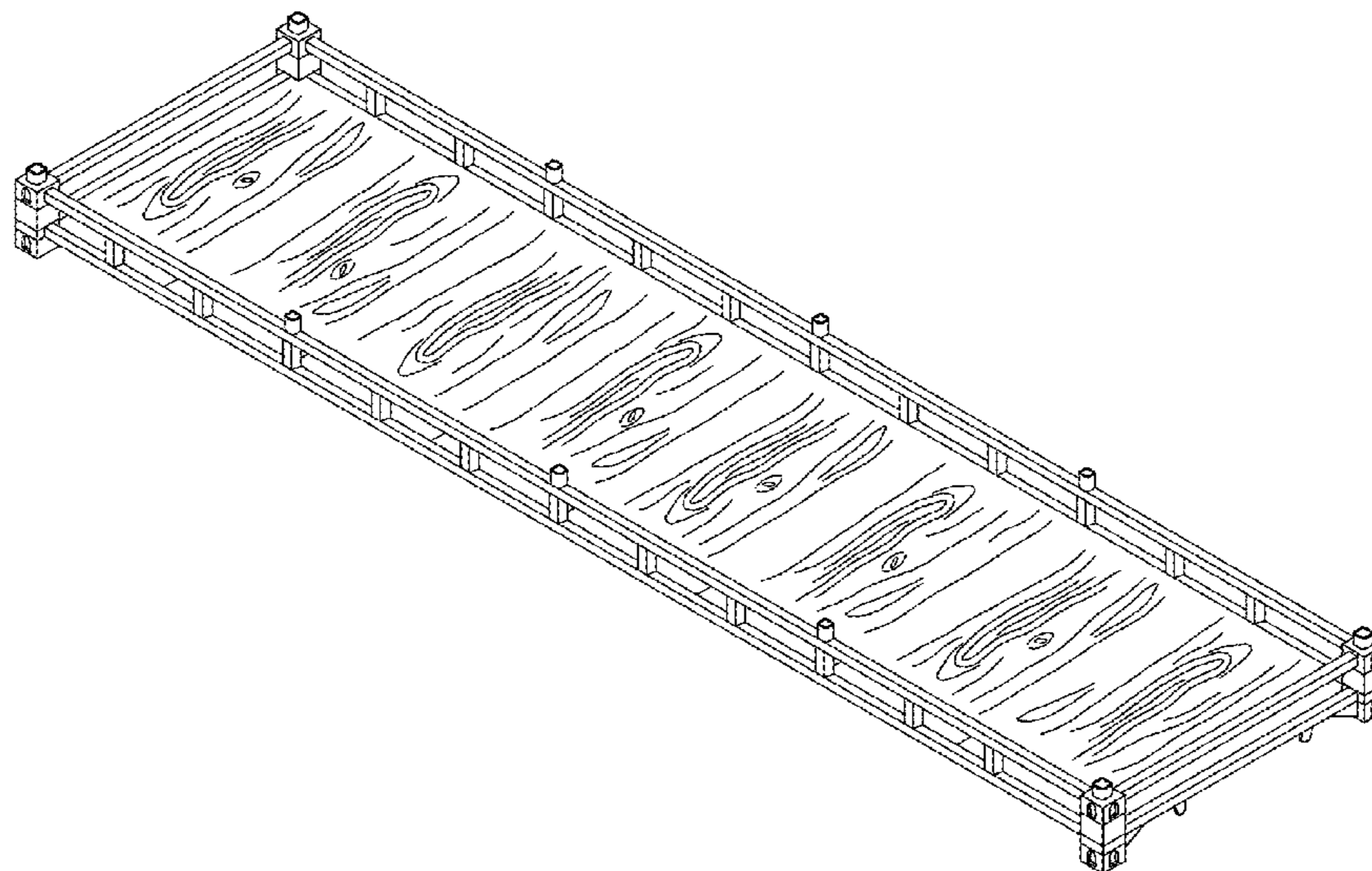
FIG. 4 is a top view of the lifted installation system adapter for modular shipping container buildings;

FIG. 5 is a bottom view of the s lifted installation system adapter for modular shipping container buildings; and,

FIG. 6 is a perspective view of the lifted installation system adapter for modular shipping container buildings as used to support a modular shipping container building.

The right side view not shown is a mirror image of the left side view. The rear view not shown is a mirror image of the front view. Broken lines in FIG. 6 depict environment that is not part of the claimed design.

1 Claim, 4 Drawing Sheets



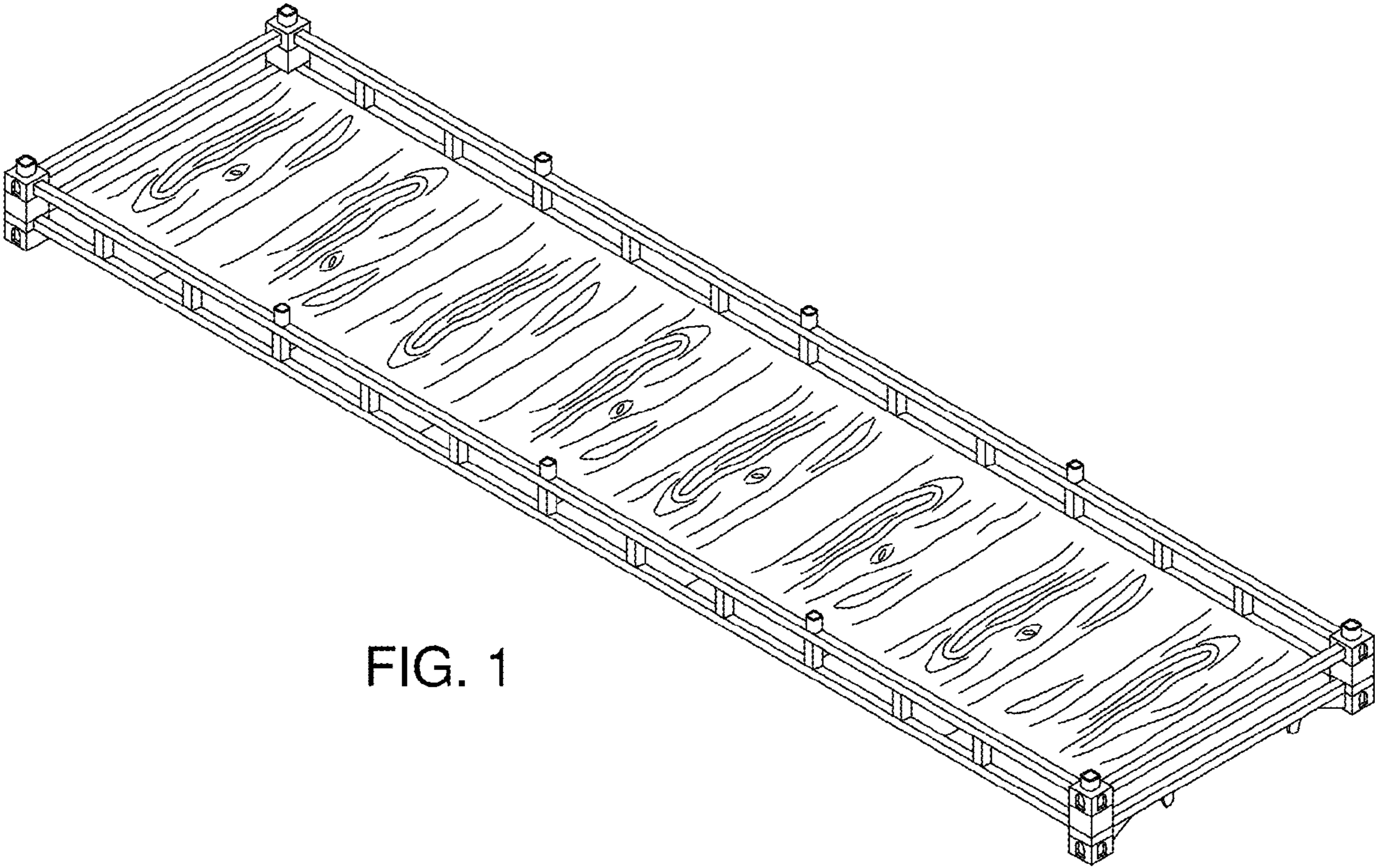


FIG. 1

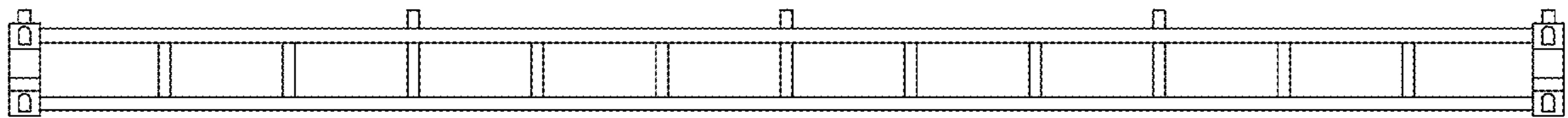


FIG. 2

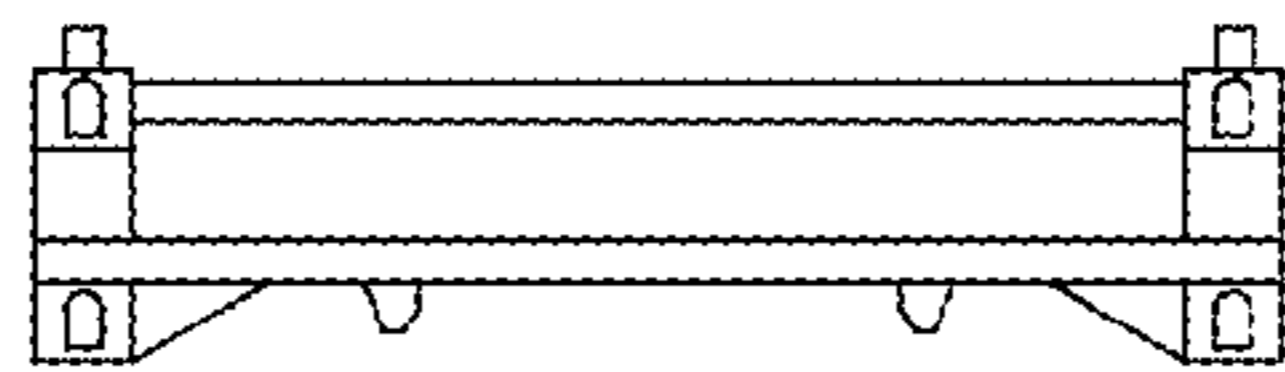


FIG. 3

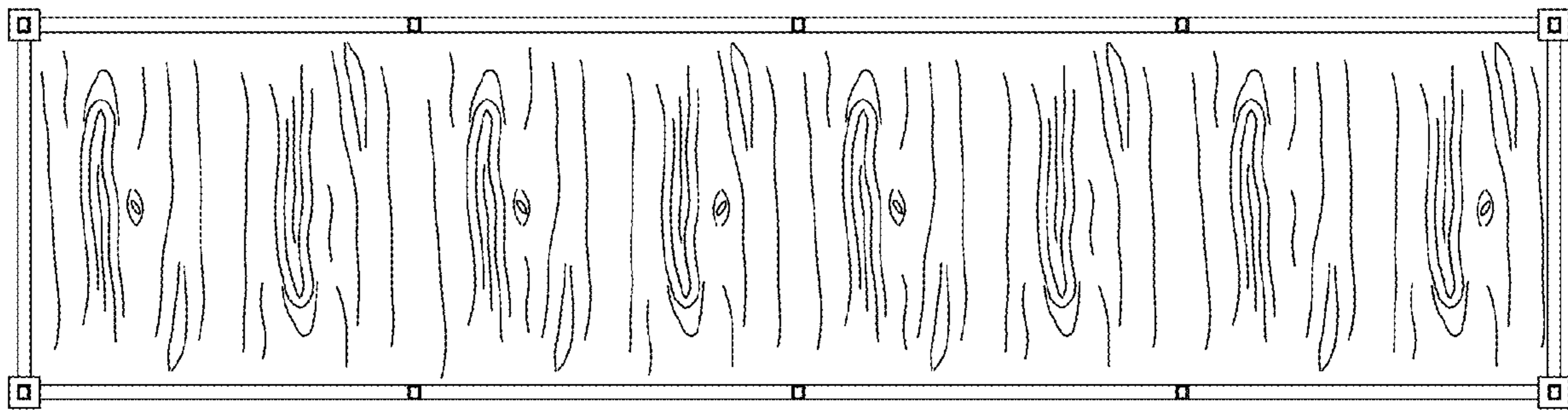


FIG. 4

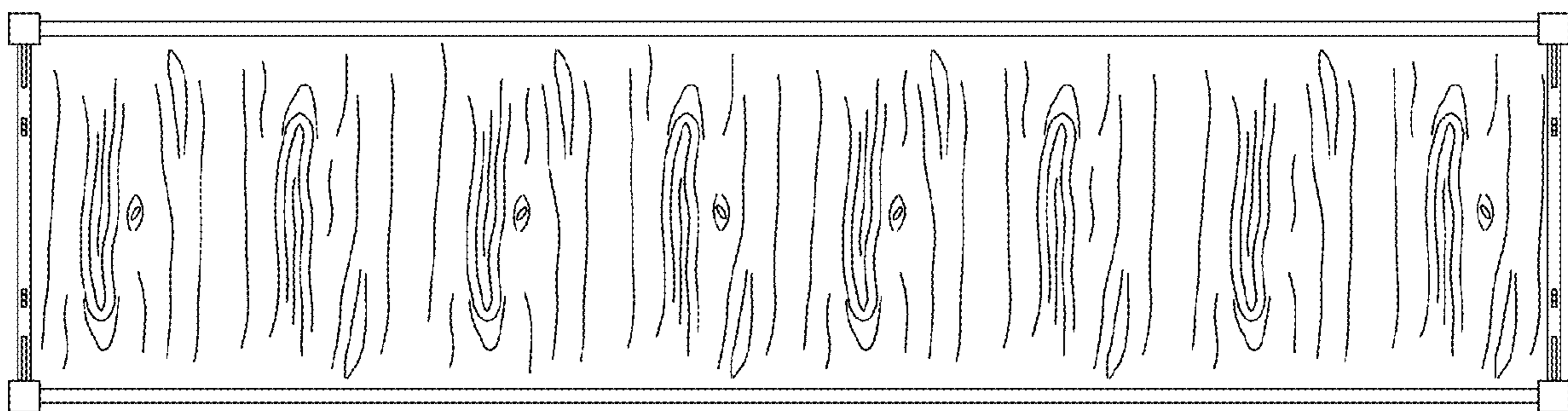


FIG. 5

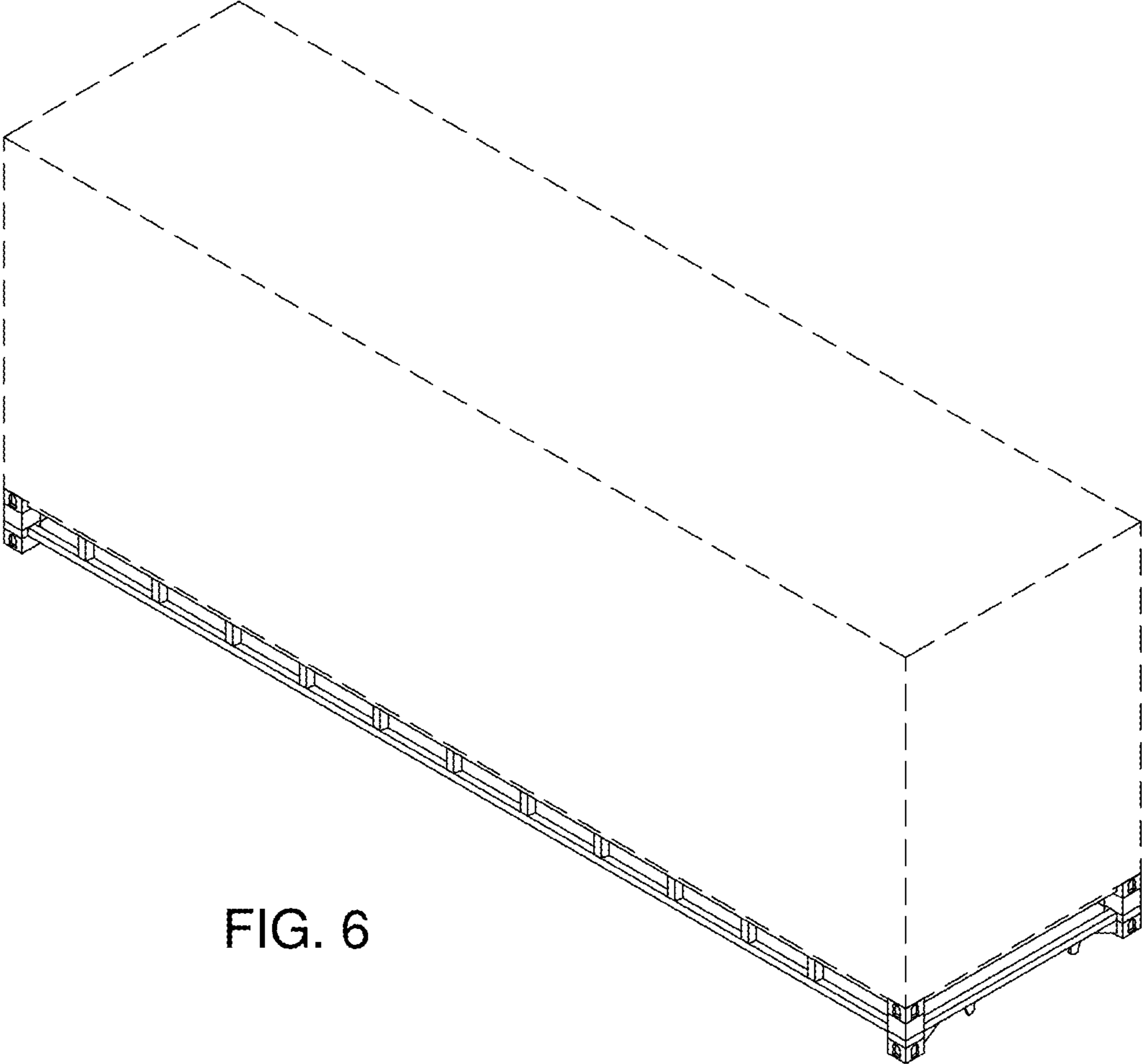


FIG. 6