



US00D902435S

(12) **United States Design Patent**
Dutra et al.

(10) **Patent No.:** **US D902,435 S**

(45) **Date of Patent:** **** Nov. 17, 2020**

(54) **FLUIDIC PROCESSING WORKSTATION**

(71) Applicant: **FloDesign Sonics, Inc.**, Wilbraham, MA (US)

(72) Inventors: **Brian Dutra**, Granby, CT (US); **Christopher Jurkiewicz**, Burlington, CT (US); **Brian McCarthy**, East Longmeadow, MA (US); **Richard Grant**, Hampden, MA (US); **Jeffrey King**, Coventry, CT (US); **Bart Lipkens**, Bloomfield, CT (US)

(73) Assignee: **FloDesign Sonics, Inc.**, Wilbraham, MA (US)

(**) Term: **15 Years**

(21) Appl. No.: **29/677,487**

(22) Filed: **Jan. 21, 2019**

(51) **LOC (12) Cl.** **24-01**

(52) **U.S. Cl.**
USPC **D24/232**

(58) **Field of Classification Search**
USPC D24/107, 186, 216, 219, 220, 221, D24/223–227, 231, 232; D10/81
CPC G01N 2035/00306; G01N 2035/00326; G01N 2035/00336; G01N 2035/00366; G01N 21/6428; G01N 21/645; G01N 2201/068; C12Q 1/686; B01L 7/52
See application file for complete search history.

(56) **References Cited**

U.S. PATENT DOCUMENTS

D649,075 S * 11/2011 Chan D10/81
9,205,379 B2 * 12/2015 Latham B01D 57/02

D759,519 S * 6/2016 Apotheloz D24/232
D822,847 S * 7/2018 Boo D24/232
D838,198 S * 1/2019 Kimura D24/216
D848,020 S * 5/2019 Kobeli D24/216
D855,823 S * 8/2019 Williamson D24/216
D875,963 S * 2/2020 Gruen D24/216
2002/0176801 A1 * 11/2002 Giebeler G01N 21/253
422/82.05

* cited by examiner

Primary Examiner — Anhdao Doan

(74) *Attorney, Agent, or Firm* — FloDesign Sonics, Inc.

(57) **CLAIM**

The ornamental design for a fluidic processing workstation, as shown and described.

DESCRIPTION

FIG. 1 is a front isometric view of a fluidic processing workstation;

FIG. 2 is a rear isometric view thereof;

FIG. 3 is a front elevation view thereof;

FIG. 4 is a right side elevation view thereof;

FIG. 5 is a left side elevation view thereof;

FIG. 6 is a top plan view thereof;

FIG. 7 is a rear elevation view thereof;

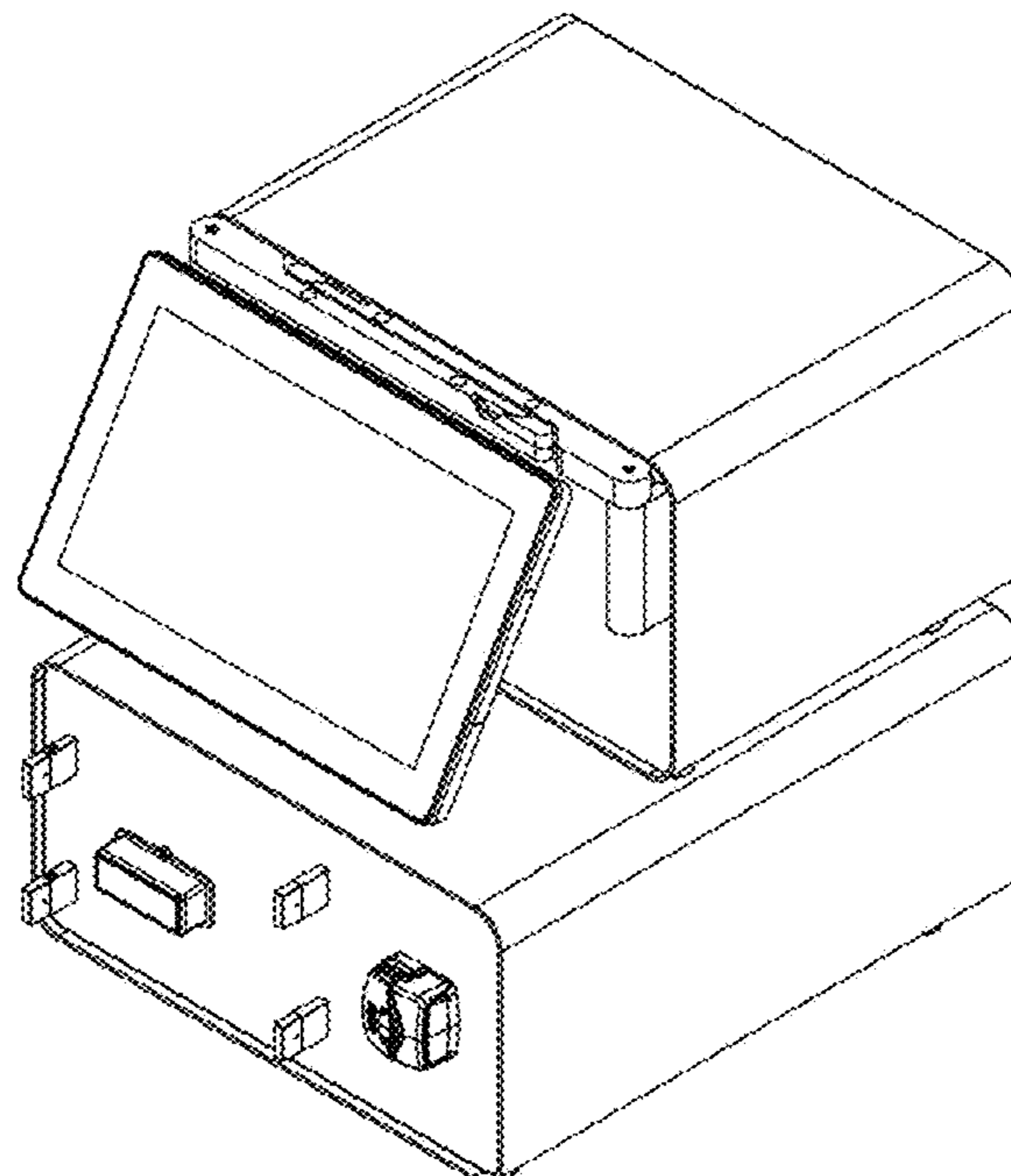
FIG. 8 is a front isometric view thereof with an environmental structure

FIG. 9 is a front isometric view thereof showing bag suspension arms in an alternative position; and,

FIG. 10 is a rear isometric view thereof showing bag suspension arms in an alternative position.

The broken lines of FIG. 8 depict environmental subject matter and form no part of the claimed design, and the remaining broken lines depict portions of the fluidic processing workstation that form no part of the claimed design.

1 Claim, 10 Drawing Sheets



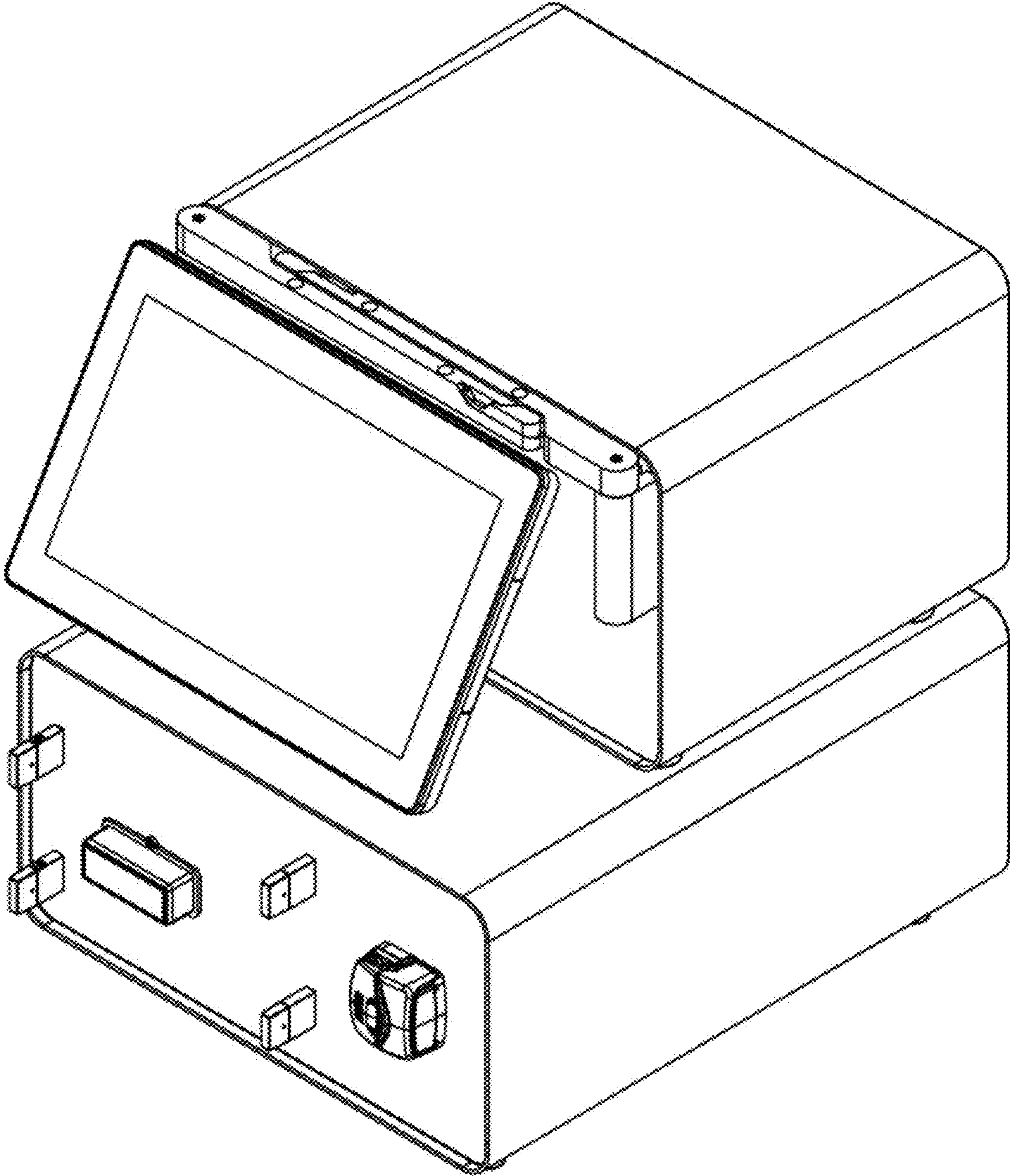


Fig. 1

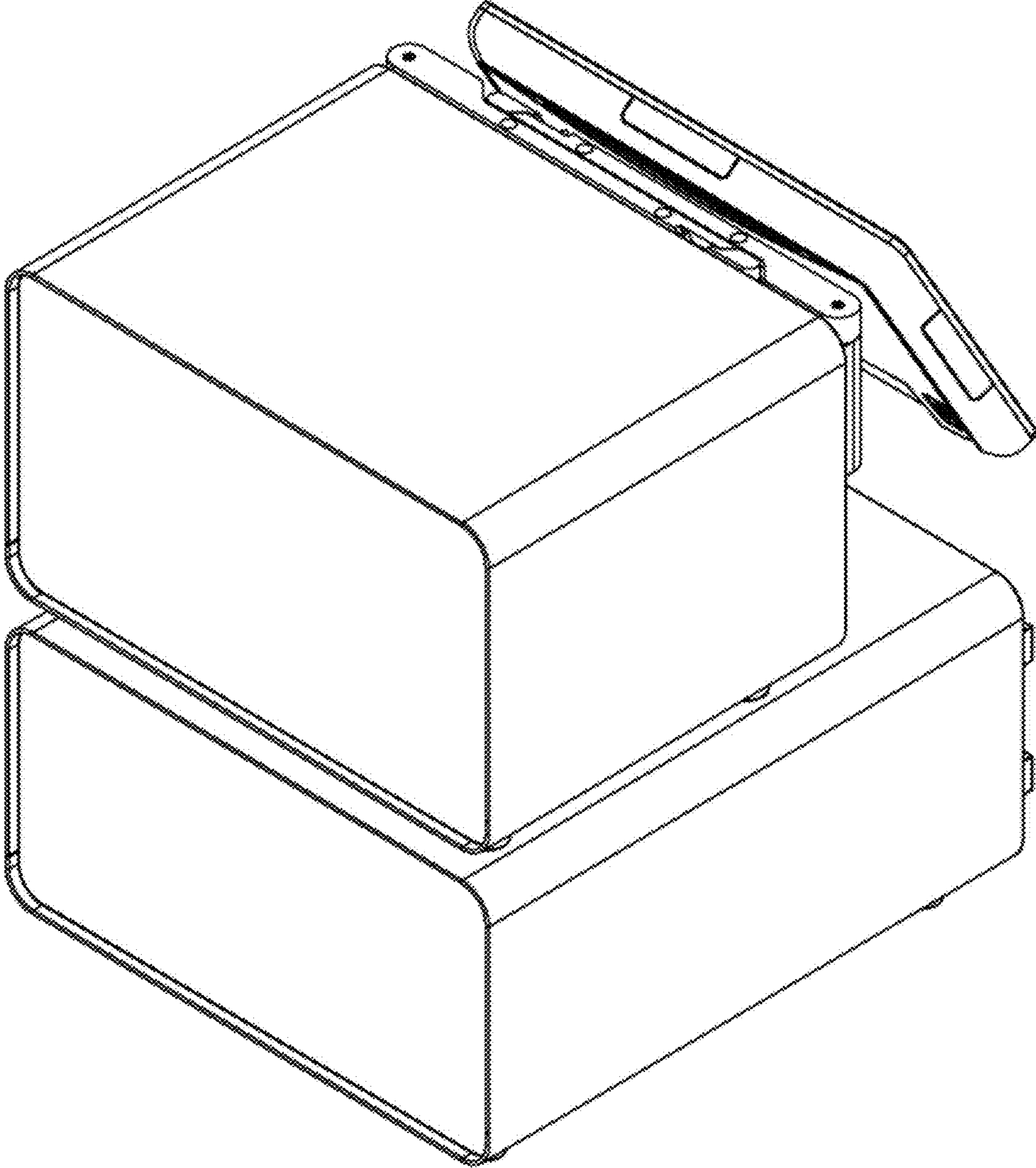


Fig. 2

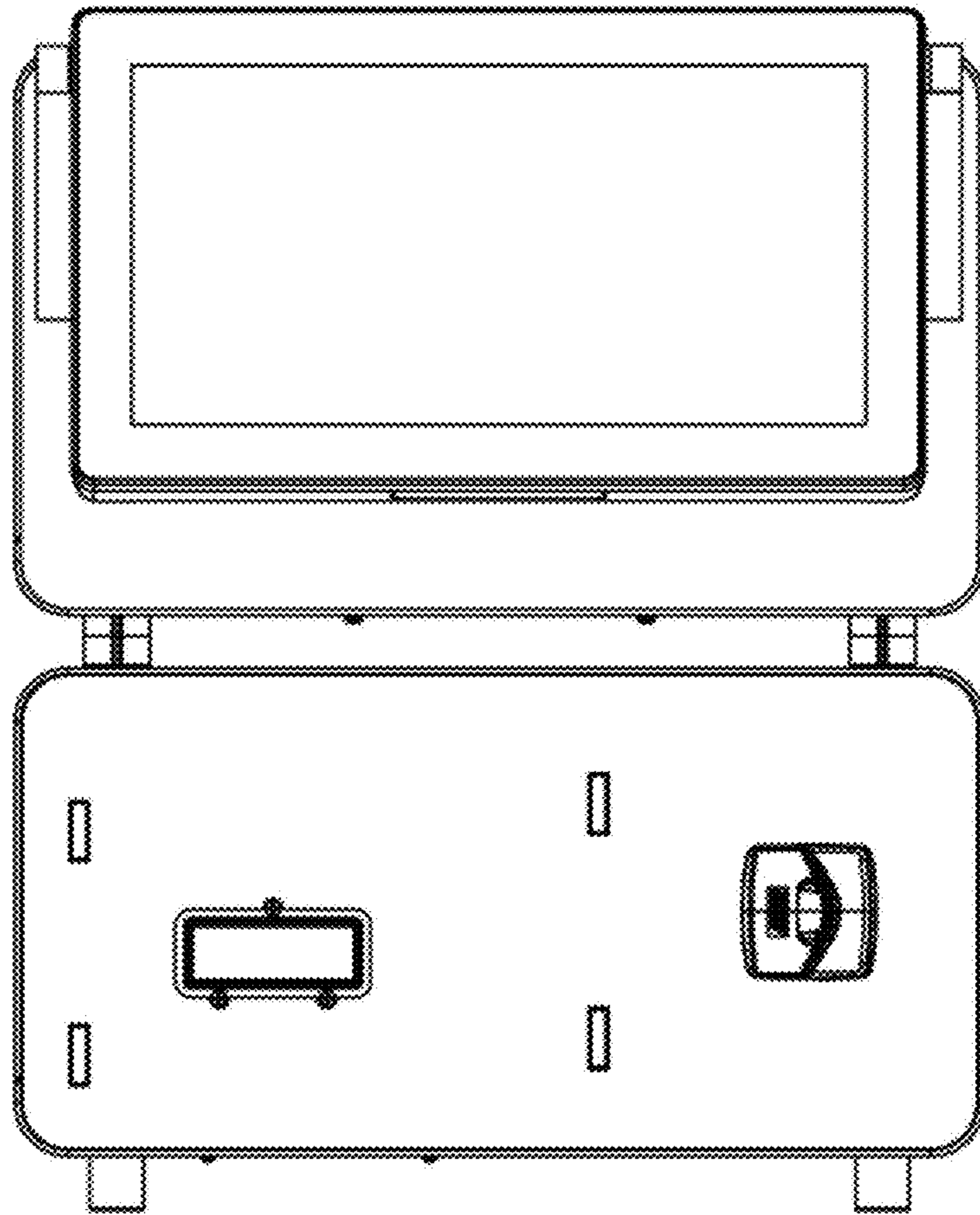


Fig. 3

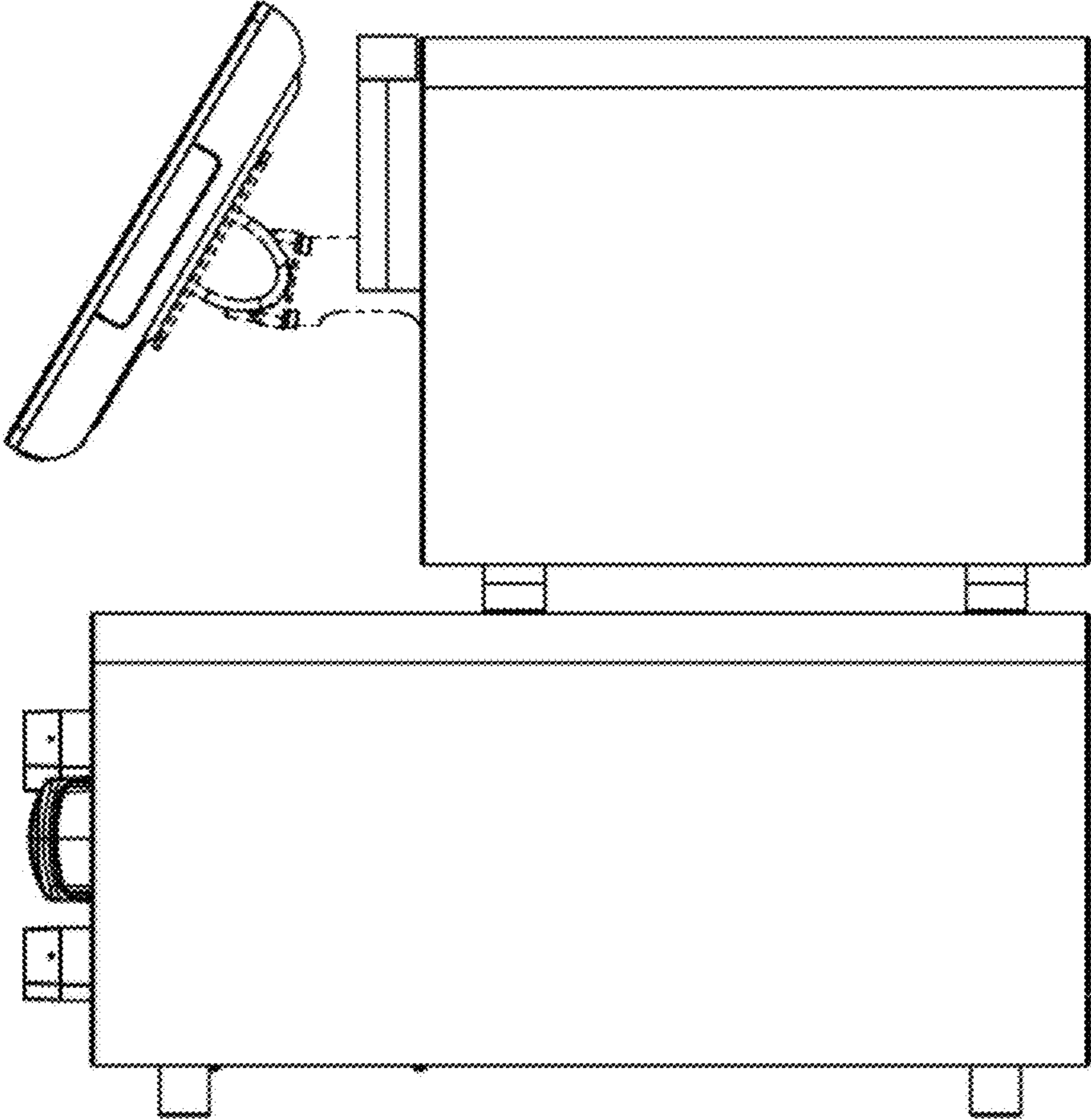


Fig. 4

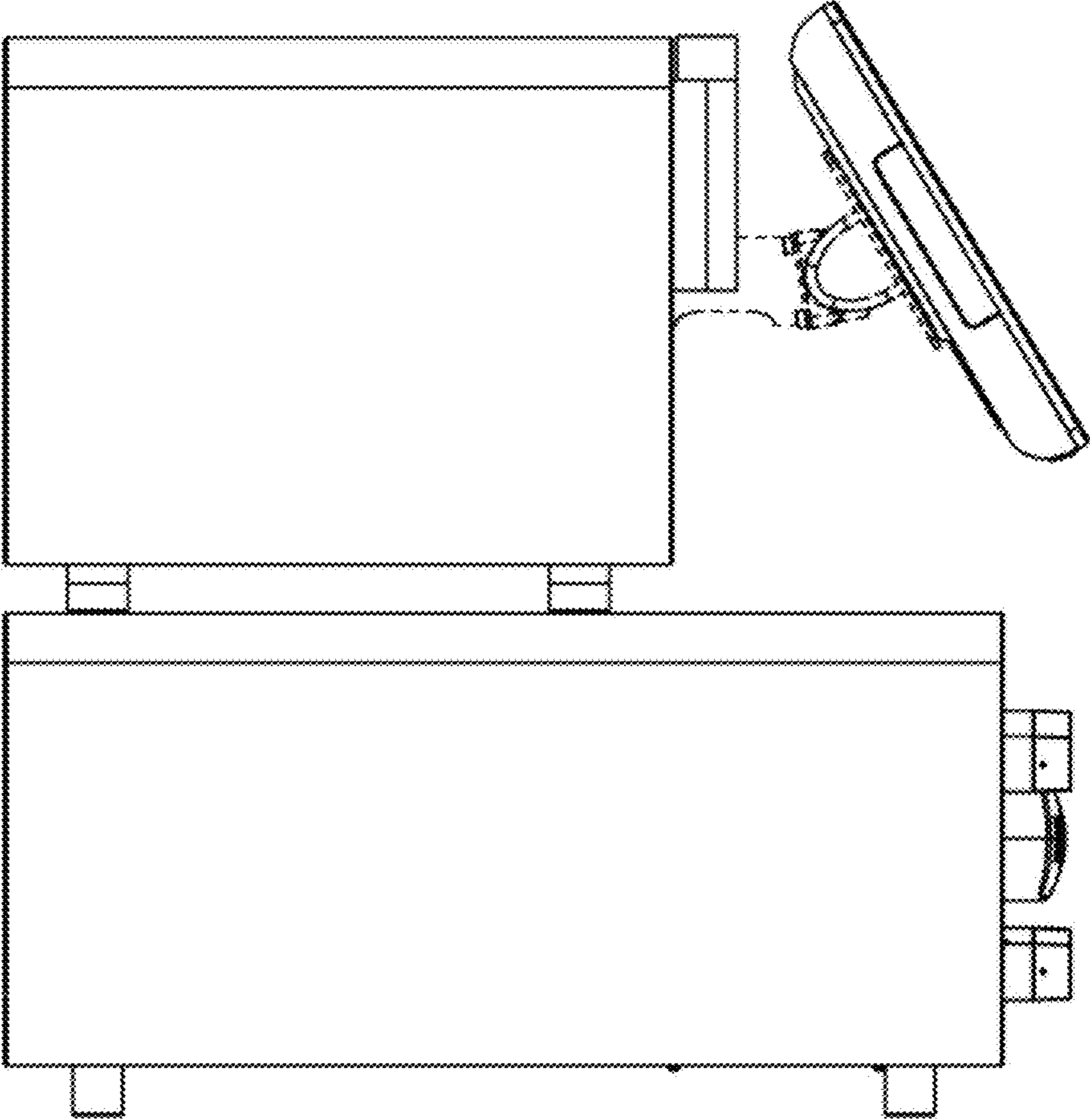


Fig. 5

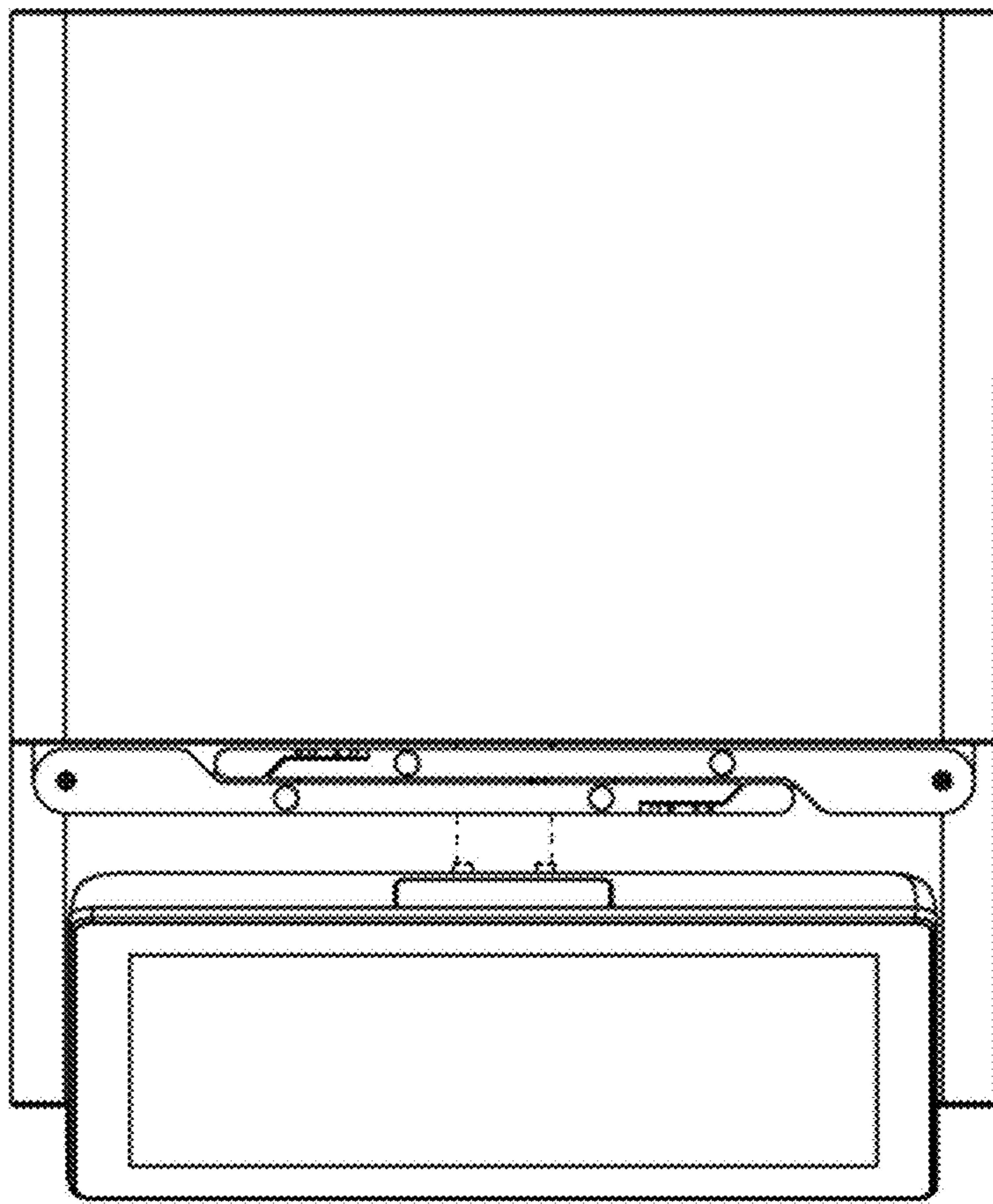


Fig. 6

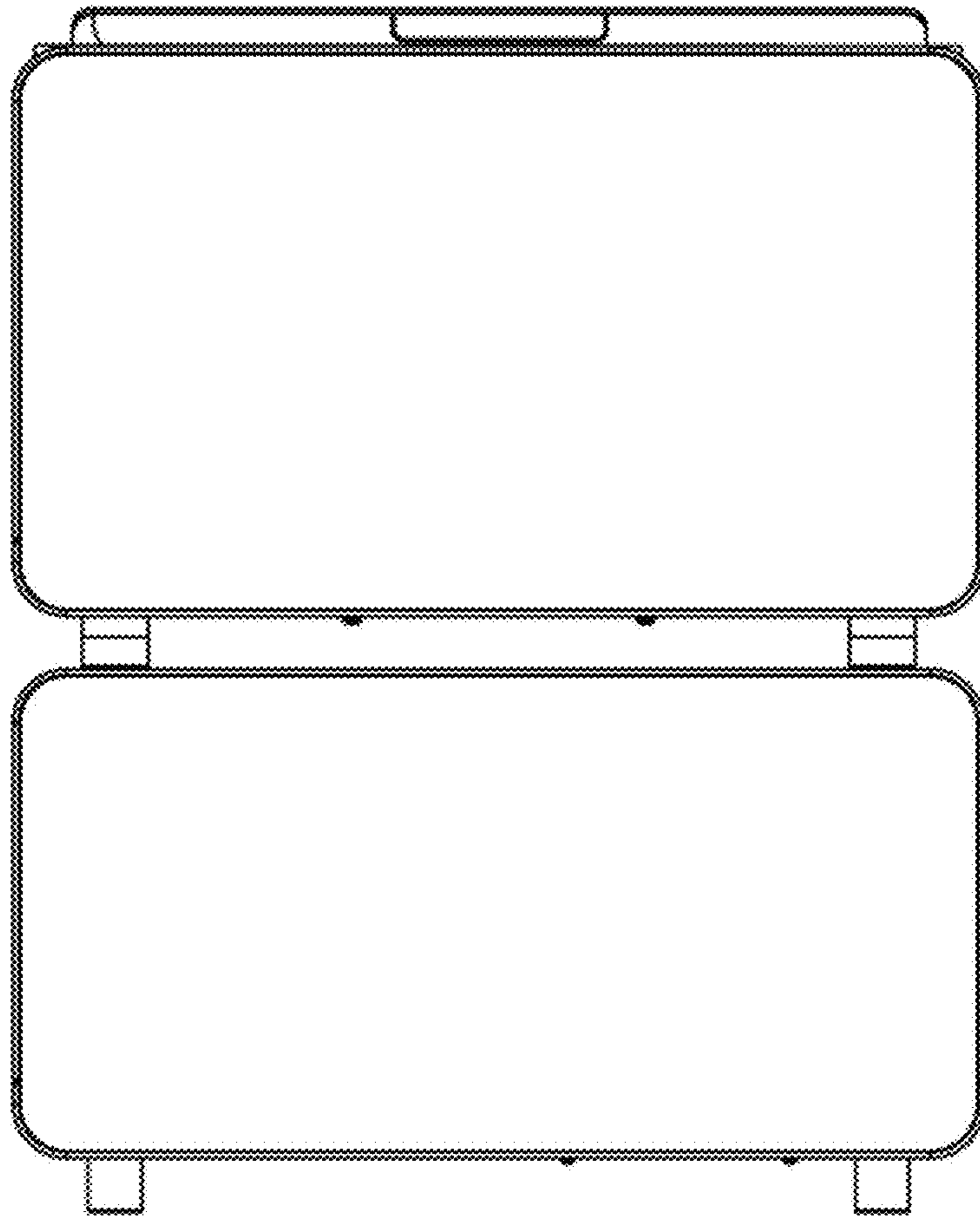


Fig. 7

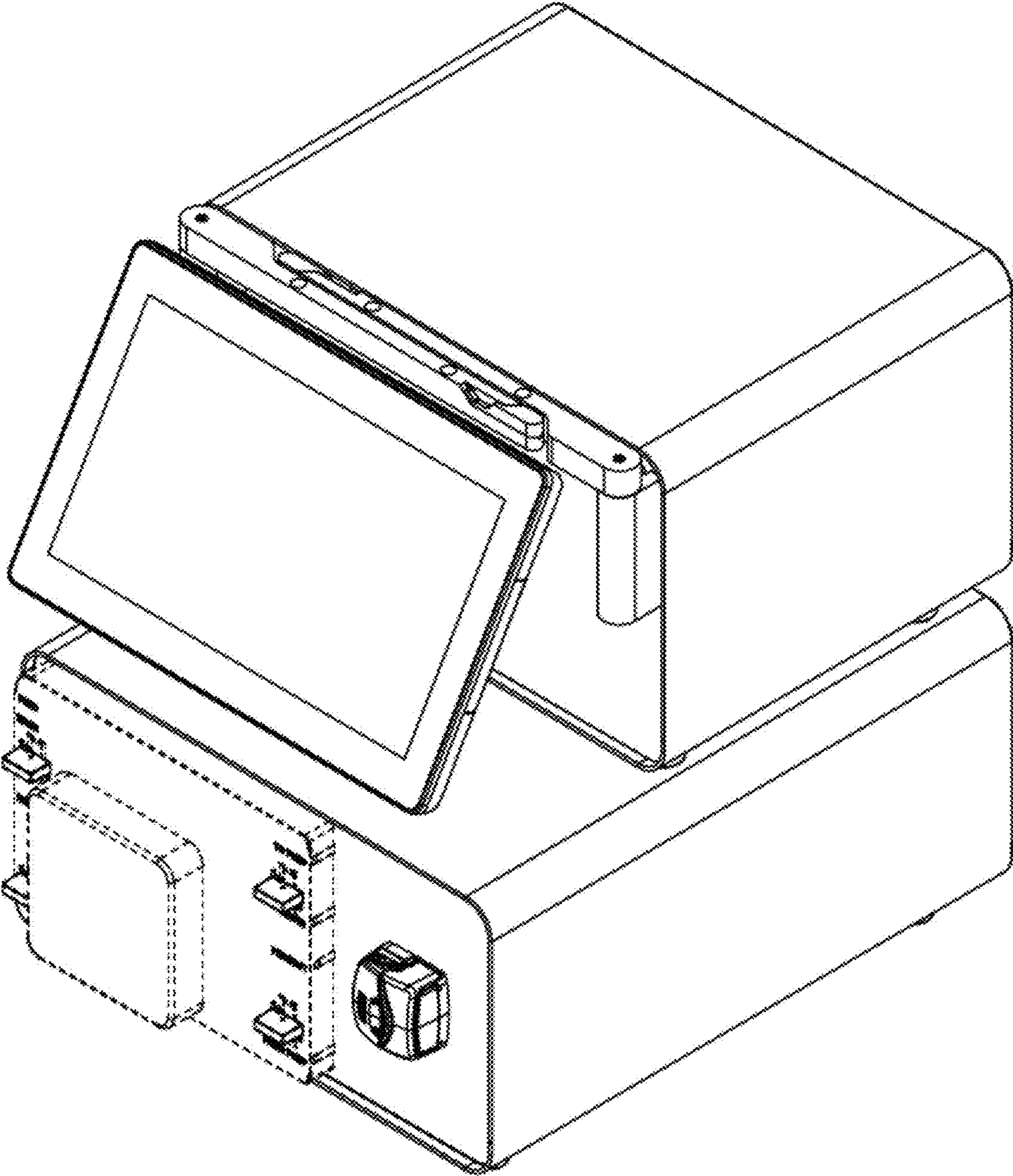


Fig. 8

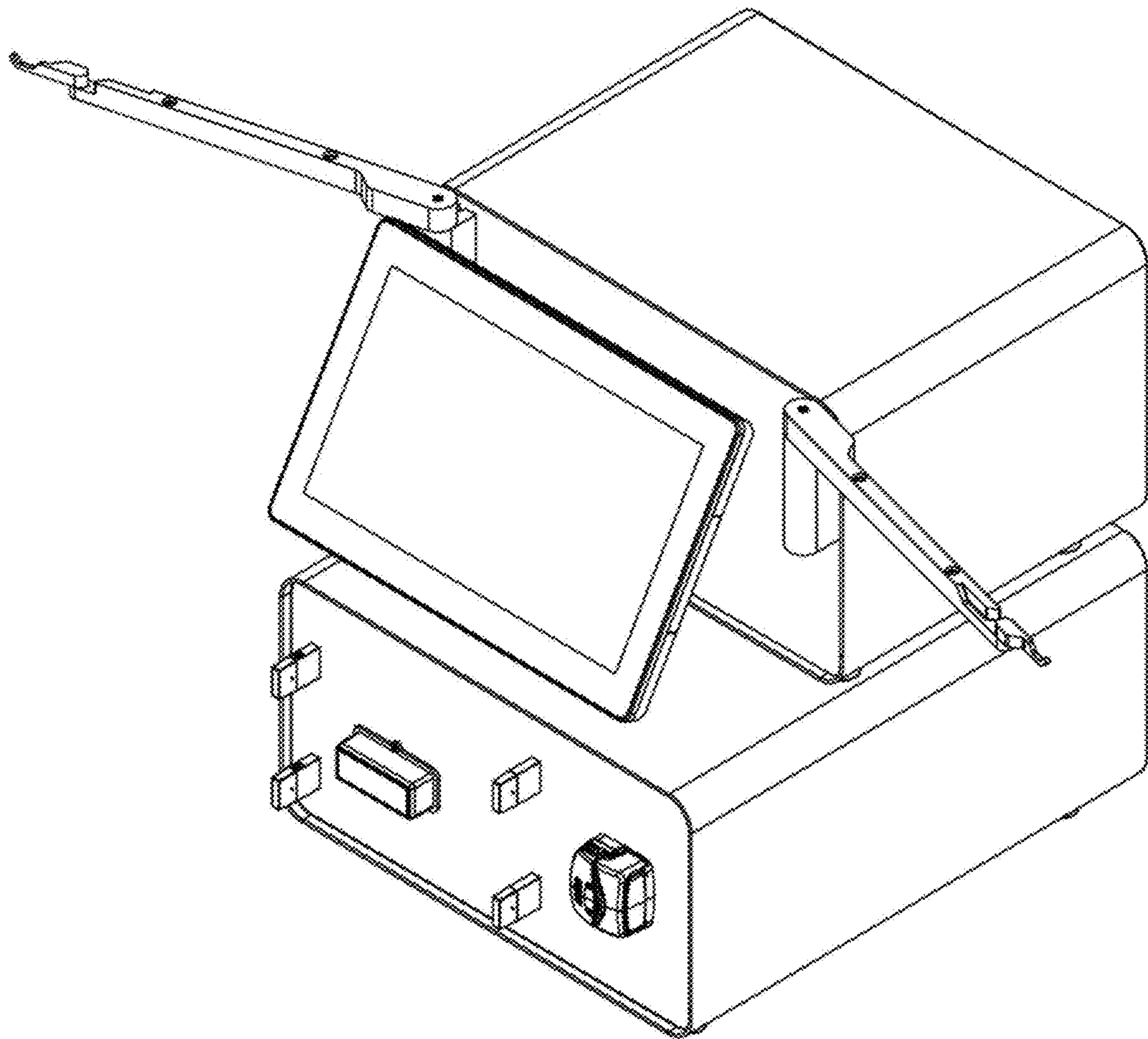


Fig. 9

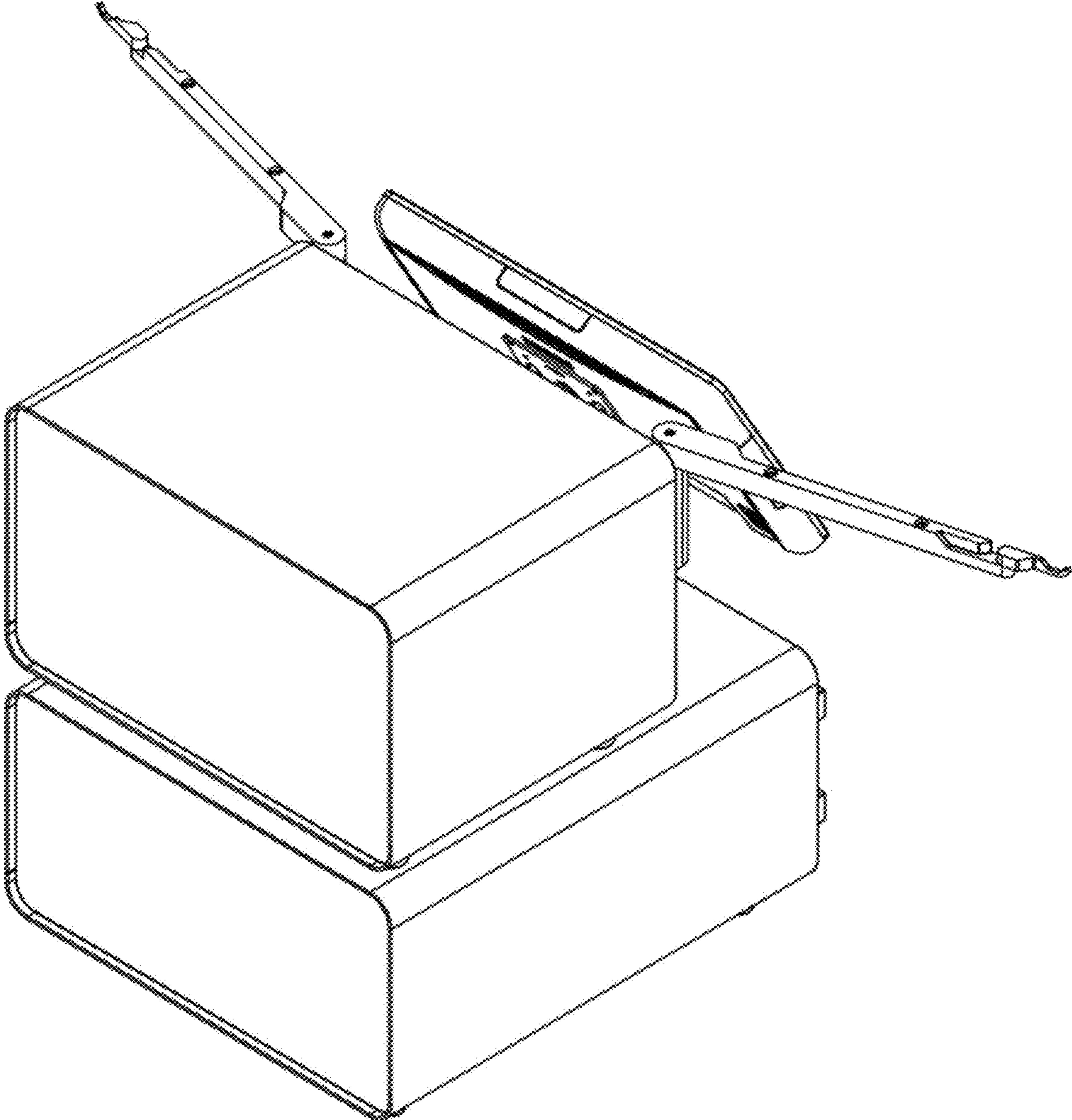


Fig. 10