



US00D902431S

(12) **United States Design Patent**
Sims et al.

(10) **Patent No.:** **US D902,431 S**

(45) **Date of Patent:** **** Nov. 17, 2020**

- (54) **TUBE STRIP WITH CAPS**
- (71) Applicant: **ABGENE UK LTD.**, Ashford (GB)
- (72) Inventors: **Daniel Sims**, Ashford (GB); **Clive Harrison**, Ashford (GB); **Nicola Burbidge**, Carlsbad, CA (US)
- (73) Assignee: **ABGENE UK LTD.**, Ashford (GB)

- D703,345 S * 4/2014 Tajima D24/224
- D709,625 S * 7/2014 Baum D24/224
- D717,468 S * 11/2014 Tsai B01L 3/50855
D24/224
- D718,465 S * 11/2014 Tajima D24/224
- D742,027 S * 10/2015 Lentz D24/224
- D759,835 S * 6/2016 Baum D24/224
- D778,459 S * 2/2017 Tajima D24/224
- D792,981 S * 7/2017 Tajima D24/224

(Continued)

- (**) Term: **15 Years**
- (21) Appl. No.: **29/703,313**
- (22) Filed: **Aug. 26, 2019**

Related U.S. Application Data

- (62) Division of application No. 29/565,448, filed on May 20, 2016, now Pat. No. Des. 862,724.
- (51) **LOC (12) Cl.** **24-02**
- (52) **U.S. Cl.**
USPC **D24/224**
- (58) **Field of Classification Search**
USPC D24/224-230, 216; 422/562, 561, 560,
422/568, 500; 435/288.1, 288.4, 305.2
CPC B01L 3/00; B01L 3/02; B01L 3/14; B01L
3/50; B01L 3/50825; B01L 3/5085; B01L
3/50853
See application file for complete search history.

(56) **References Cited**

U.S. PATENT DOCUMENTS

- 6,001,310 A * 12/1999 Shaffer B01L 3/5085
422/548
- D439,673 S * 3/2001 Brophy D24/226
- D445,907 S * 7/2001 Monks D24/216
- D453,573 S * 2/2002 Lafond D24/216
- 6,601,725 B2 * 8/2003 Lafond B01L 3/50853
220/23.4
- D608,013 S * 1/2010 Coulling D24/224
- D679,830 S * 4/2013 May D24/224
- D687,567 S * 8/2013 Jungheim D24/224

OTHER PUBLICATIONS

<https://www.southernlabware.com/pure-amptm-pcr-tubes-strips-0-2ml-qpcr-8-strip-with-separate-optical-strip-caps-natural-clear-120-pkg.html?gclid=> (Mar. 2, 2020).*

(Continued)

Primary Examiner — Janice Hallmark
Assistant Examiner — Rebecca Tsehaye

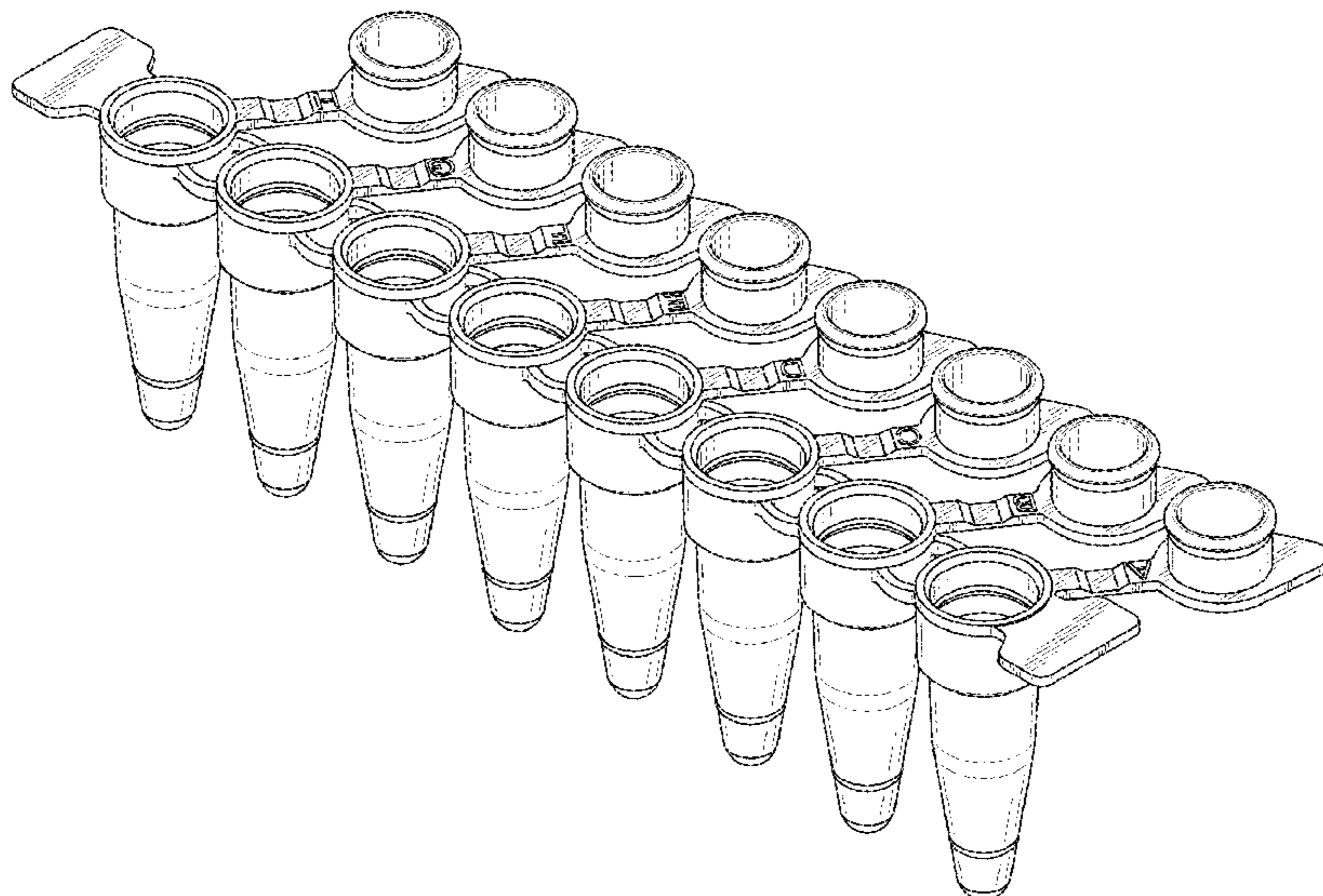
(57) **CLAIM**

The ornamental design for a tube strip with caps, as shown and described.

DESCRIPTION

FIG. 1 is a perspective view of a tube strip with caps showing our new design.
FIG. 2 is a front side view thereof;
FIG. 3 is a back side view thereof;
FIG. 4 is a right side view thereof;
FIG. 5 is a left side view thereof;
FIG. 6 is a top view thereof;
FIG. 7 is a bottom view thereof;
FIG. 8 is a top view thereof;
FIG. 9 is a bottom view thereof; and,
FIG. 10 is a top view thereof.
The broken lines shown in the drawings depict portions of the tube strip with caps that form no part of the claimed design.

1 Claim, 9 Drawing Sheets



(56)

References Cited

U.S. PATENT DOCUMENTS

9,802,196 B2 * 10/2017 Taunk B01L 3/50825
D862,724 S * 10/2019 Sims D24/224

OTHER PUBLICATIONS

<https://dnalandsci.com/product/0-2ml-thin-wall-pcr-strip-with-individual-flat-cap-8-tube/> (Mar. 2, 2020).*

* cited by examiner

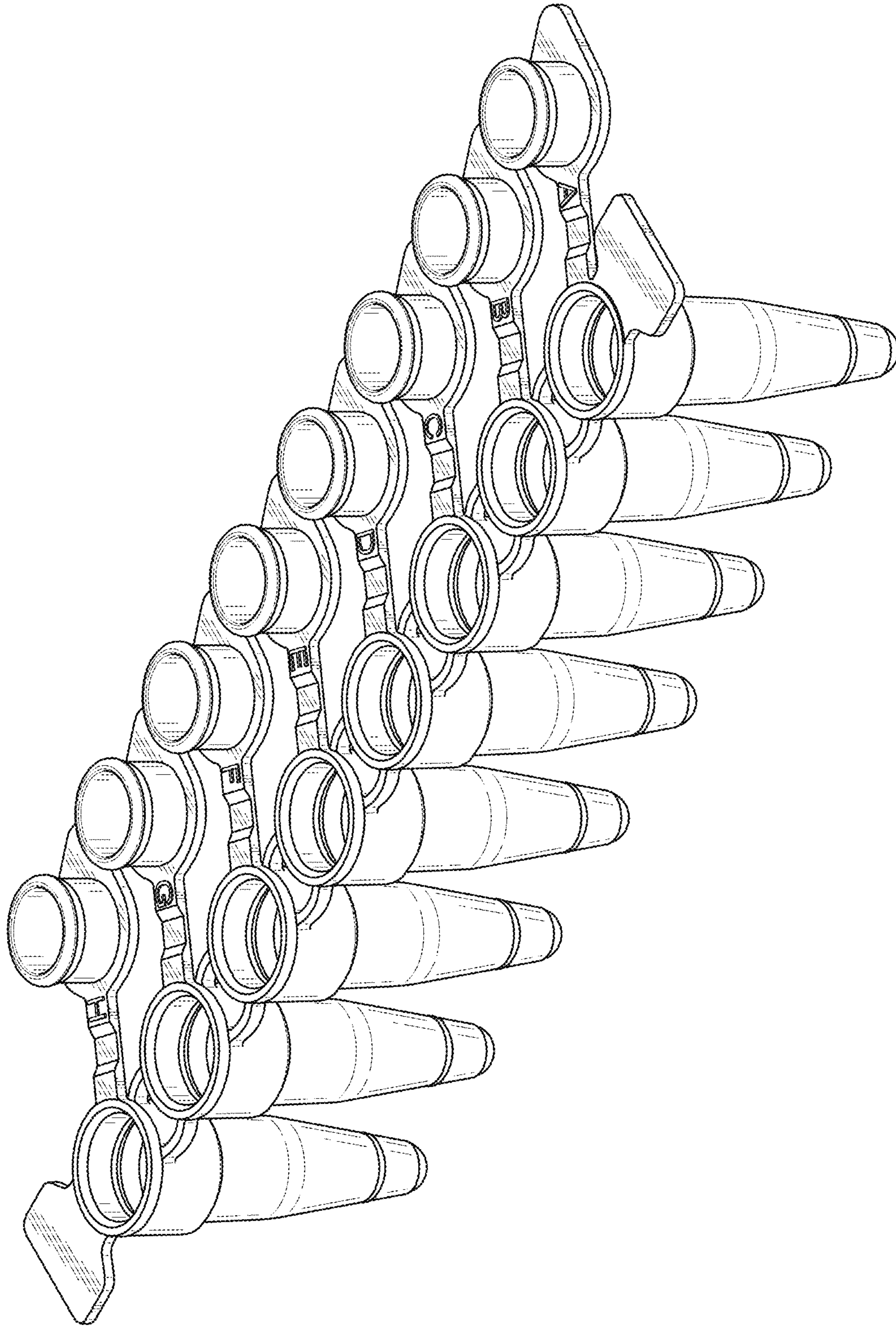


FIG. 1

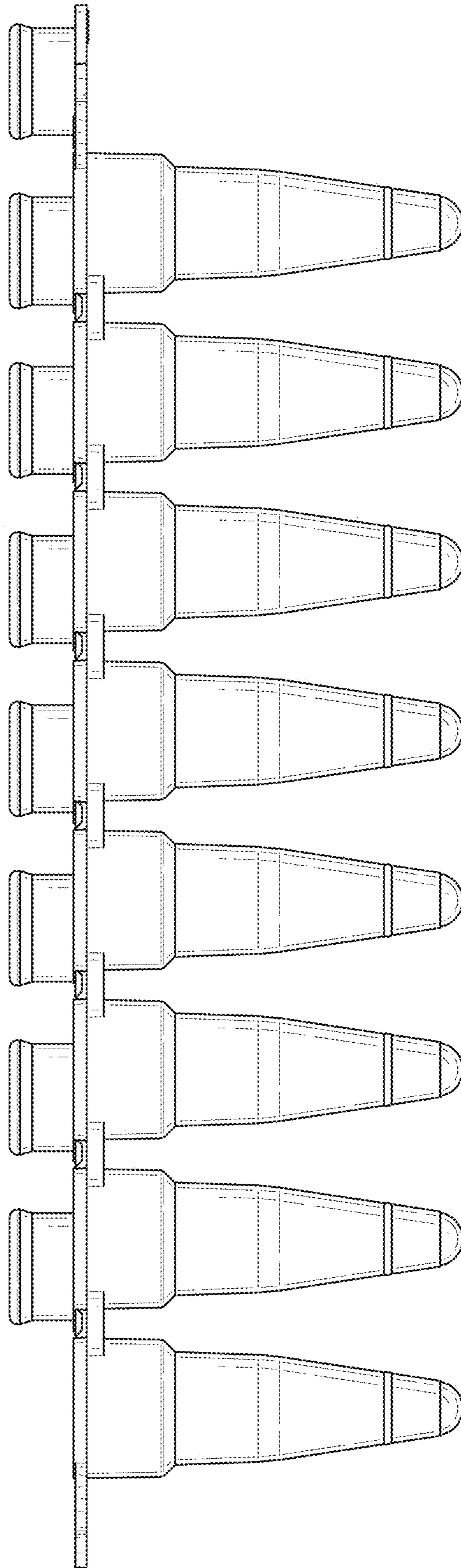


FIG. 2

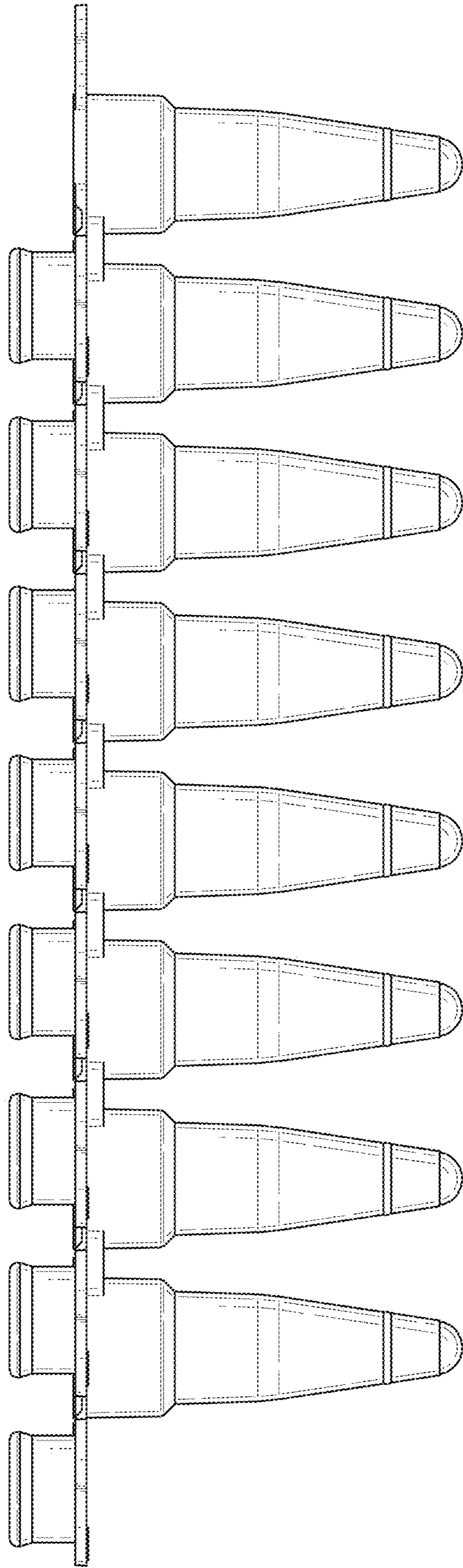


FIG. 3

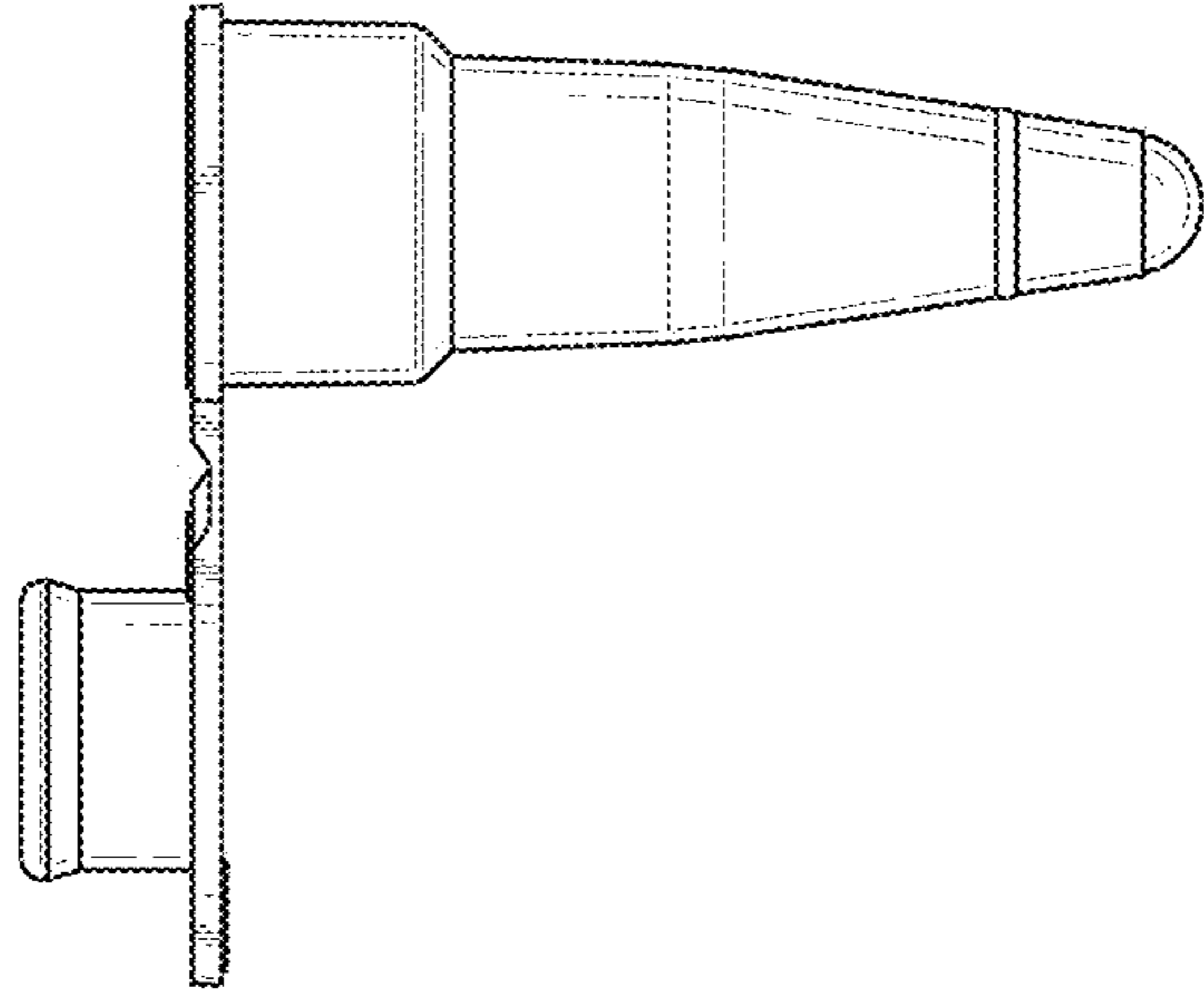


FIG. 4

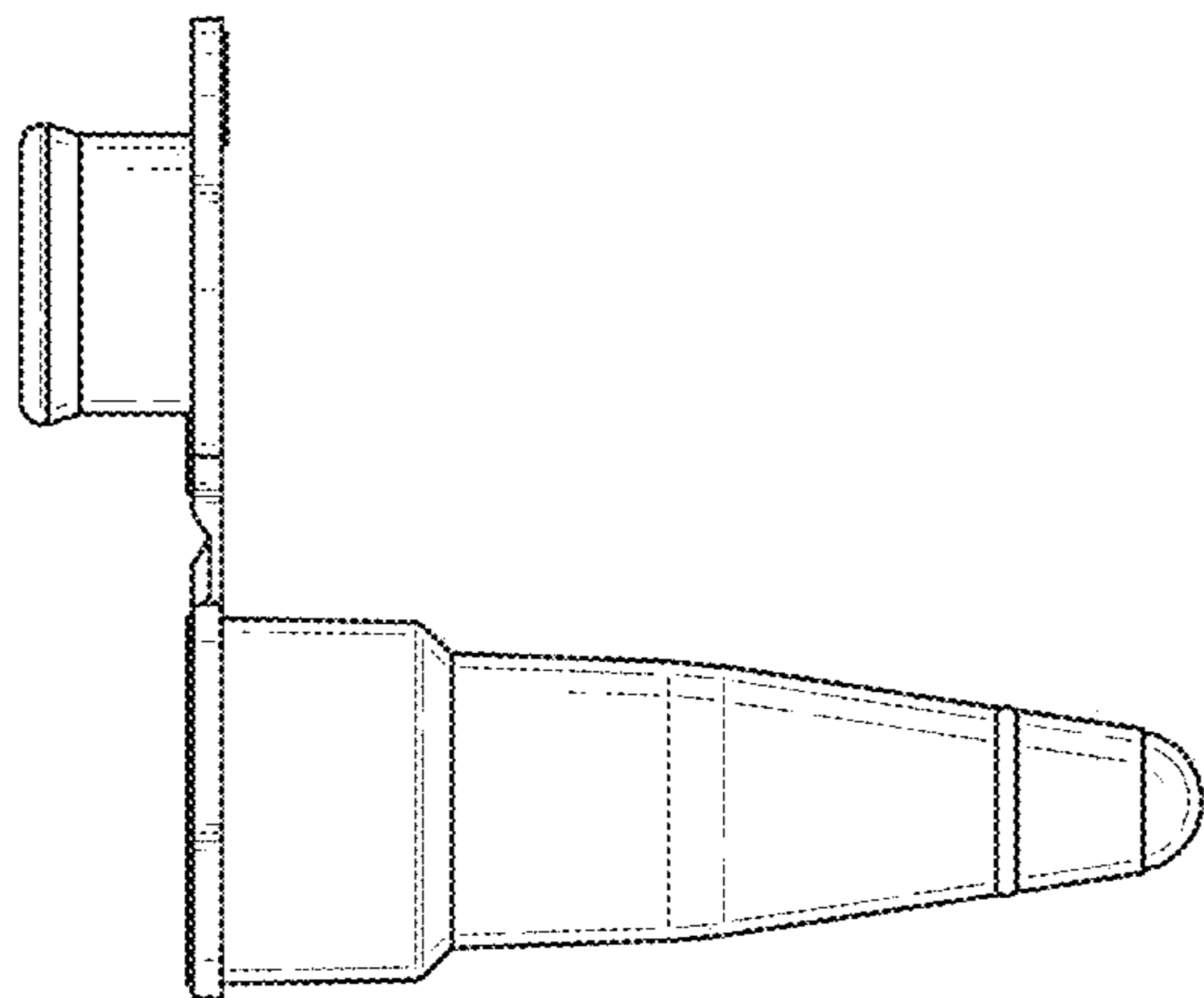


FIG. 5

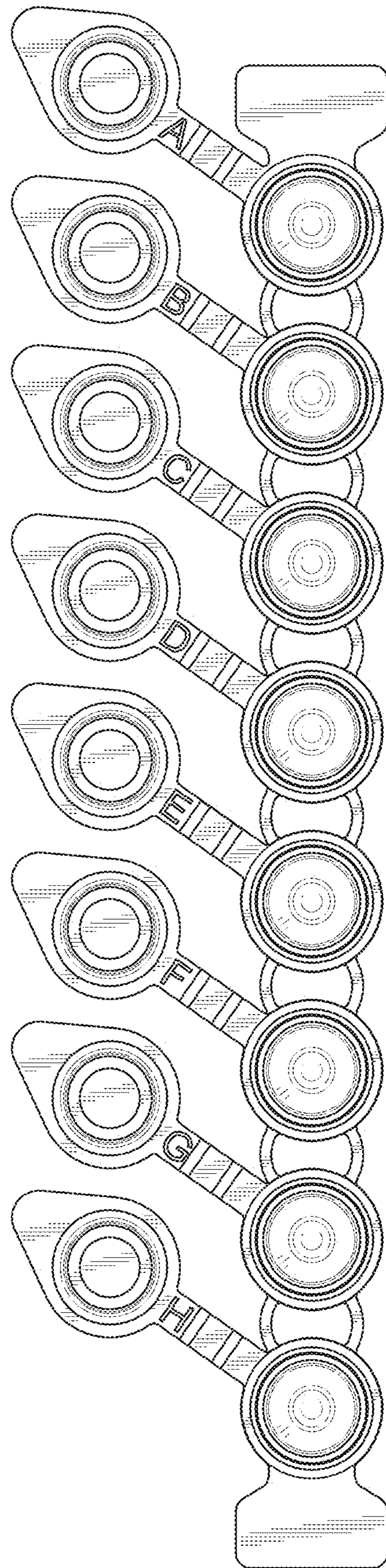


FIG. 6

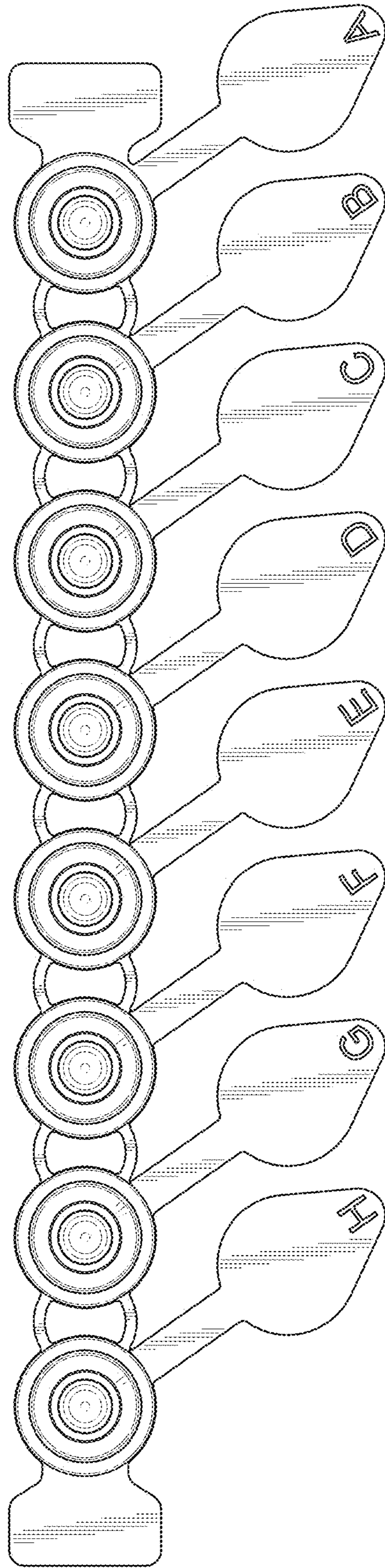


FIG. 7

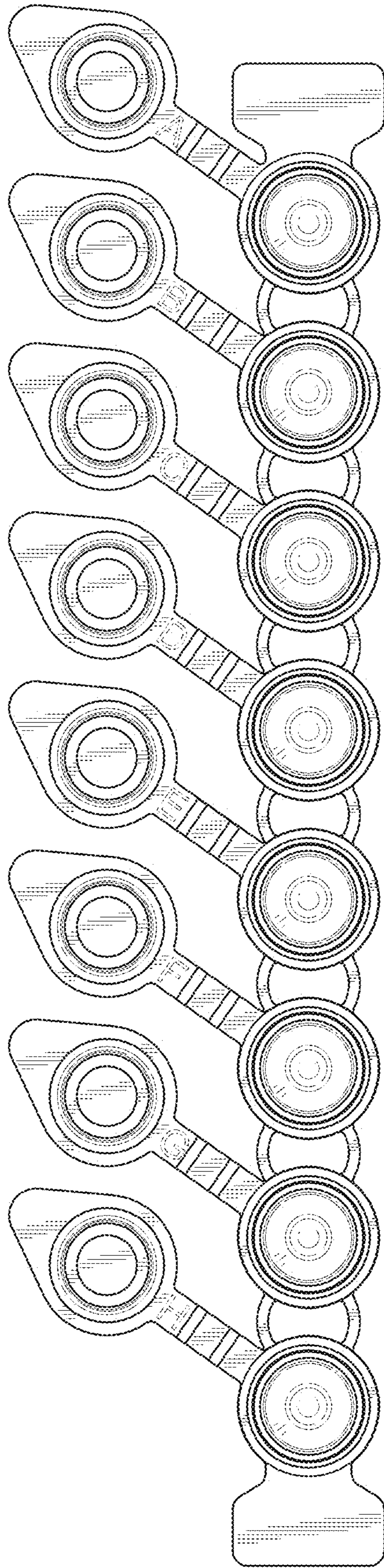


FIG. 8

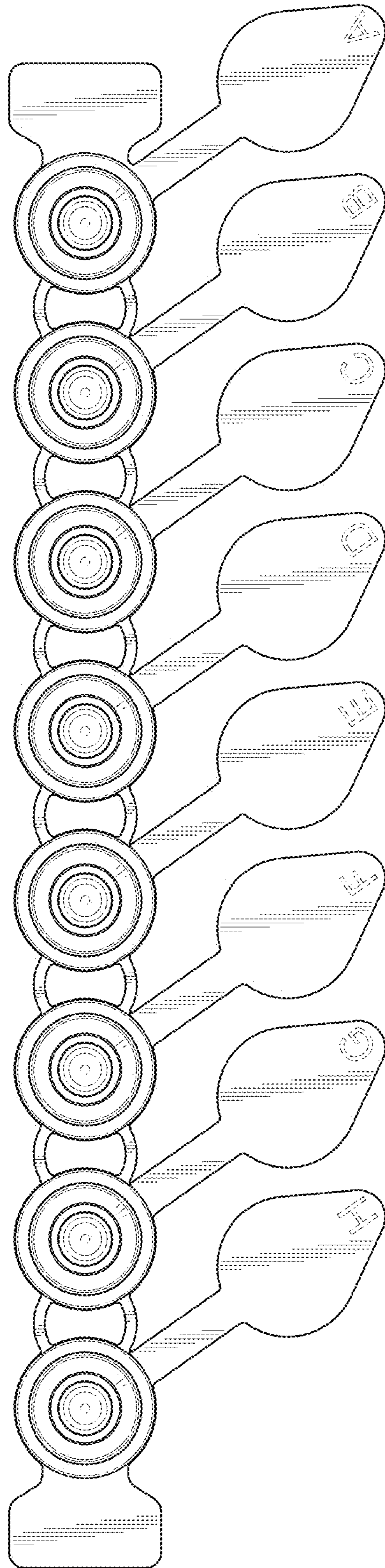


FIG. 9

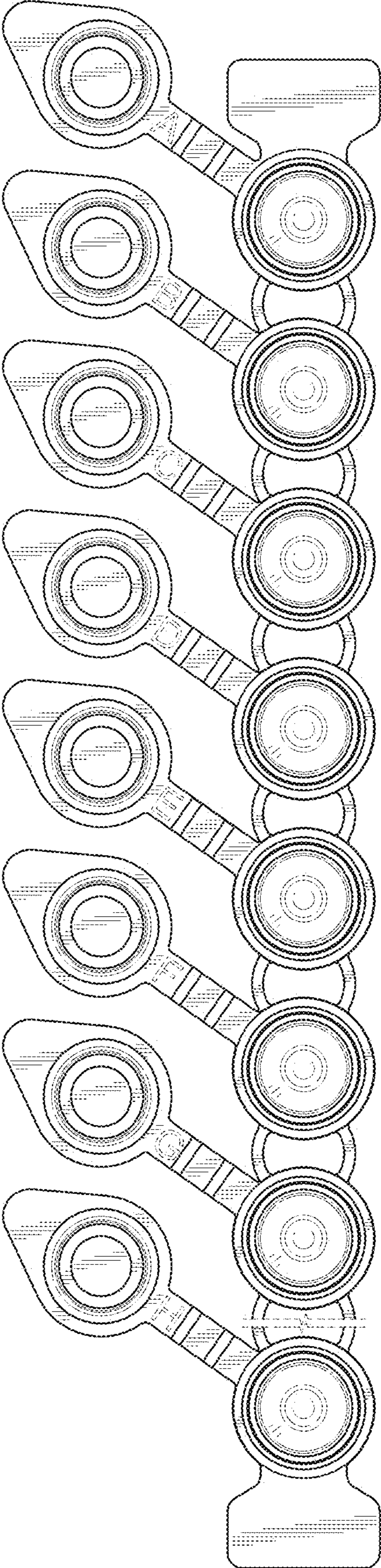


FIG. 10