



US00D902429S

(12) **United States Design Patent** (10) **Patent No.:** **US D902,429 S**
Ganeshan (45) **Date of Patent:** **** Nov. 17, 2020**

(54) **VIAL FOR SAMPLING ASSEMBLY**

(71) Applicant: **Quest Diagnostics Investments LLC**,
Secaucus, NJ (US)

(72) Inventor: **Nikita Ganeshan**, Irvine, CA (US)

(73) Assignee: **Quest Diagnostics Investments LLC**,
Secaucus, NJ (US)

(**) Term: **15 Years**

(21) Appl. No.: **29/660,831**

(22) Filed: **Aug. 22, 2018**

(51) **LOC (12) Cl.** **24-02**

(52) **U.S. Cl.**
USPC **D24/224**

(58) **Field of Classification Search**
USPC D24/186, 108, 112, 119, 121, 127, 129,
D24/216, 223-225, 231, 232, 107, 122,
D24/123; D3/230.1; D9/420, 503, 516,
D9/519-521, 542, 558
CPC B01L 3/5021; B01L 3/50825
See application file for complete search history.

(56) **References Cited**

U.S. PATENT DOCUMENTS

| | | | | | | | |
|-----------|---|---|---------|-----------|-------|-----------|----------|
| 3,521,785 | A | * | 7/1970 | Dieter | | B01L 9/06 | 220/23.4 |
| D229,748 | S | * | 1/1974 | White | | D24/224 | |
| D272,184 | S | * | 1/1984 | Karpowicz | | D24/110 | |
| D301,117 | S | * | 5/1989 | Baxter | | D24/224 | |
| D311,249 | S | * | 10/1990 | Kasai | | D24/121 | |
| 5,470,537 | A | * | 11/1995 | Siegel | | B01L 9/06 | 215/12.1 |
| D445,907 | S | * | 7/2001 | Monks | | D24/216 | |
| D583,481 | S | * | 12/2008 | Yamamoto | | D24/224 | |
| D651,322 | S | * | 12/2011 | Svard | | D24/224 | |
| D665,919 | S | * | 8/2012 | Newman | | D20/28 | |
| D687,567 | S | * | 8/2013 | Jungheim | | D24/224 | |

| | | | | | | |
|----------|---|---|---------|------------|-------|----------|
| D709,624 | S | * | 7/2014 | Baum | | D24/224 |
| D750,228 | S | * | 2/2016 | Strong | | D24/127 |
| D762,873 | S | * | 8/2016 | Baum | | D24/224 |
| D769,653 | S | | 10/2016 | Peltosaari | | |
| D801,545 | S | * | 10/2017 | Wiesli | | D24/224 |
| D826,549 | S | * | 8/2018 | Lospinoso | | D3/203.1 |
| D854,707 | S | * | 7/2019 | Jakobsen | | D24/230 |

(Continued)

FOREIGN PATENT DOCUMENTS

| | | | |
|----|--------|---|---------|
| FR | 611344 | * | 10/2000 |
| IN | 226502 | * | 12/2009 |

(Continued)

OTHER PUBLICATIONS

Microwave Reaction Vials. Online, published date Feb. 9, 2014.
Retrieved on Nov. 22, 2019 from URL: <https://www.biotage.com/product-page/microwave-reaction-vials>.*

(Continued)

Primary Examiner — Susan Bennett Hattan
Assistant Examiner — Omeed Agilee
(74) *Attorney, Agent, or Firm* — Foley & Lardner LLP

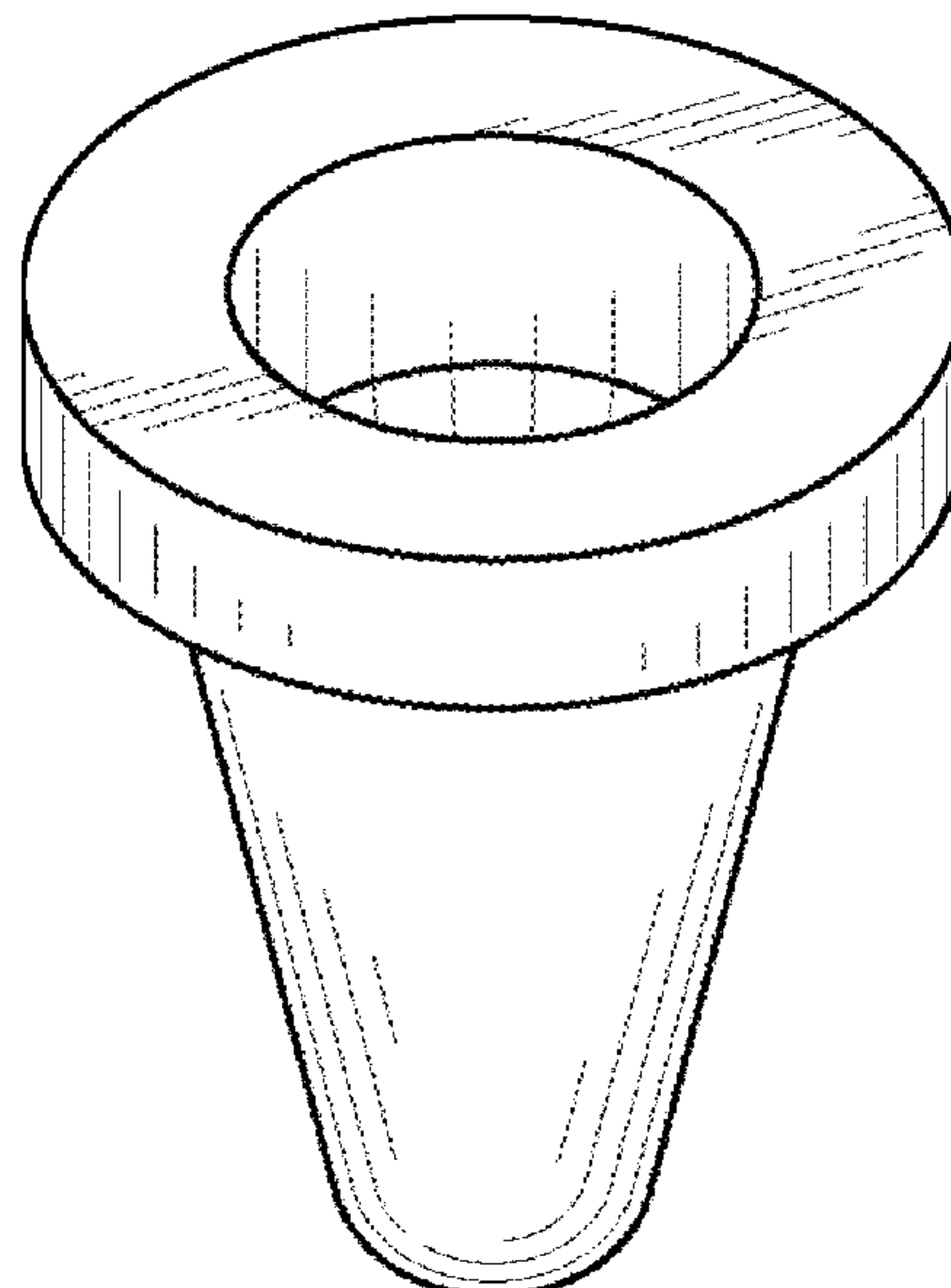
(57) **CLAIM**

I claim the ornamental design for a vial for sampling assembly, as shown and described.

DESCRIPTION

FIG. 1 is a front perspective view of the claimed design; FIG. 2 is a front view of the claimed design of FIG. 1. The rear view, the left side view, and the right side view are identical to the front view; FIG. 3 is a top view of the claimed design of FIG. 1; FIG. 4 is a bottom view of the claimed design of FIG. 1; and, FIG. 5 is a cross-sectional view of the claimed design through the line 5-5 of FIG. 3.

1 Claim, 1 Drawing Sheet



(56)

References Cited

U.S. PATENT DOCUMENTS

2002/0051734 A1* 5/2002 Dean B01F 7/1605
422/63
2008/0287585 A1* 11/2008 Brown B01L 3/50851
524/424
2014/0105796 A1* 4/2014 Nagy G01N 1/02
422/550
2014/0271409 A1* 9/2014 Knight G01N 35/1079
422/554
2015/0376562 A1* 12/2015 Baum B01L 9/06
435/304.1
2019/0291101 A1* 9/2019 Ambartsoumian ... B01L 3/5453

FOREIGN PATENT DOCUMENTS

JP 1399501 S 10/2010
JP 1419810 S 8/2011

OTHER PUBLICATIONS

KX Microwave Reaction Vials for Organic Synthesis. Online, published date Oct. 2, 2014. Retrieved on Nov. 22, 2019 from URL: <https://kinesis-usa.com/knowledgebase/kx-microwave-reaction-vials-for-organic-synthesis>.*

Office Action dated Jun. 25, 2019 received in corresponding Japanese Application No. 2018-003485 (1 page) and English translation (1 page).

Office Action dated Oct. 8, 2019 received in corresponding Brazilian application No. 3220190042455 and English translation (1 page).

Office Action dated Oct. 8, 2019, received in corresponding Brazilian application No. 3220190042447 and English translation (1 page).

Office Action dated Dec. 31, 2019 received in corresponding Brazilian application No. 3220190042447 and English translation (1 page).

Office Action dated Dec. 31, 2019 received in corresponding Brazilian application No. 3220190042455 and English translation (1 page).

Office Action dated Jul. 9, 2019, received in corresponding Brazilian application No. 30 2019 000685 5 and English translation (3 pages).

Office Action dated Dec. 31, 2019 received in corresponding Brazilian application No. 32 2019 004244 7 (1 page) and English translation (1 page).

Beckman Coulter, Inc.—Direct Inject Plate (96-well Plate), published Mar. 9, 2009, <http://www.beckmancoulter.com/ecatalog/catalogitemdetails.do?productID=190658> (dead link), Reference Number of JPO: HJ20069092.

Office Action dated Jan. 21, 2020, in JP 2019-003485, with English translation.

Office Action dated Jan. 21, 2020, in JP 2019-023676, with English translation.

Office Action dated Jan. 21, 2020, in JP 2019-023677, with English translation.

Office Action dated Jan. 21, 2020, in JP 2019-023678, with English translation.

Office Action dated Jan. 21, 2020, in JP 2019-023679, with English translation.

Office Action dated Jan. 7, 2020 in JP 2019-023675, with English translation.

Product Update Spring 2004 High Performance Apollo Ovens, Jun. 30, 2004, HD16008224, 2 pages.

* cited by examiner

FIG. 1

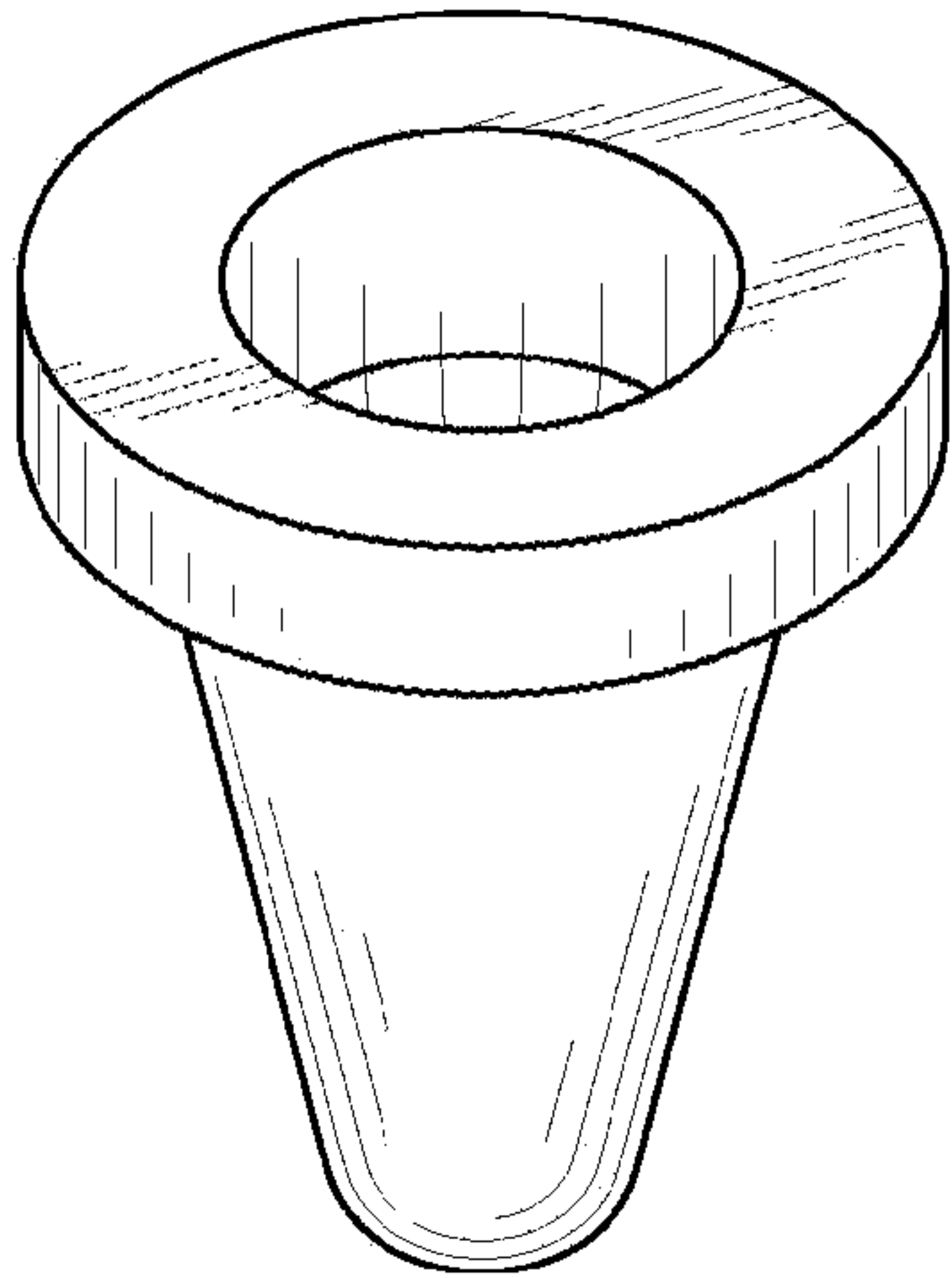


FIG. 2

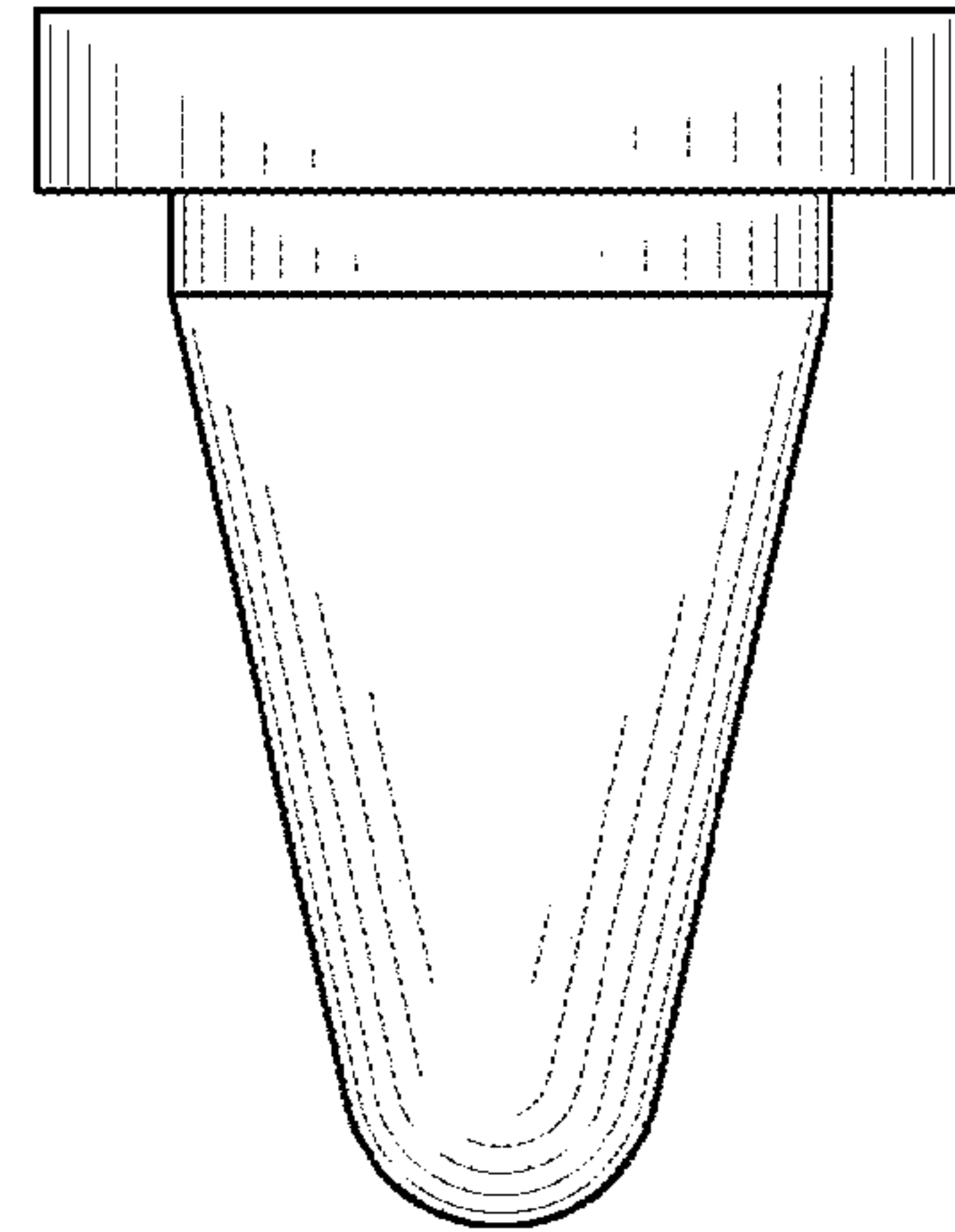


FIG. 3

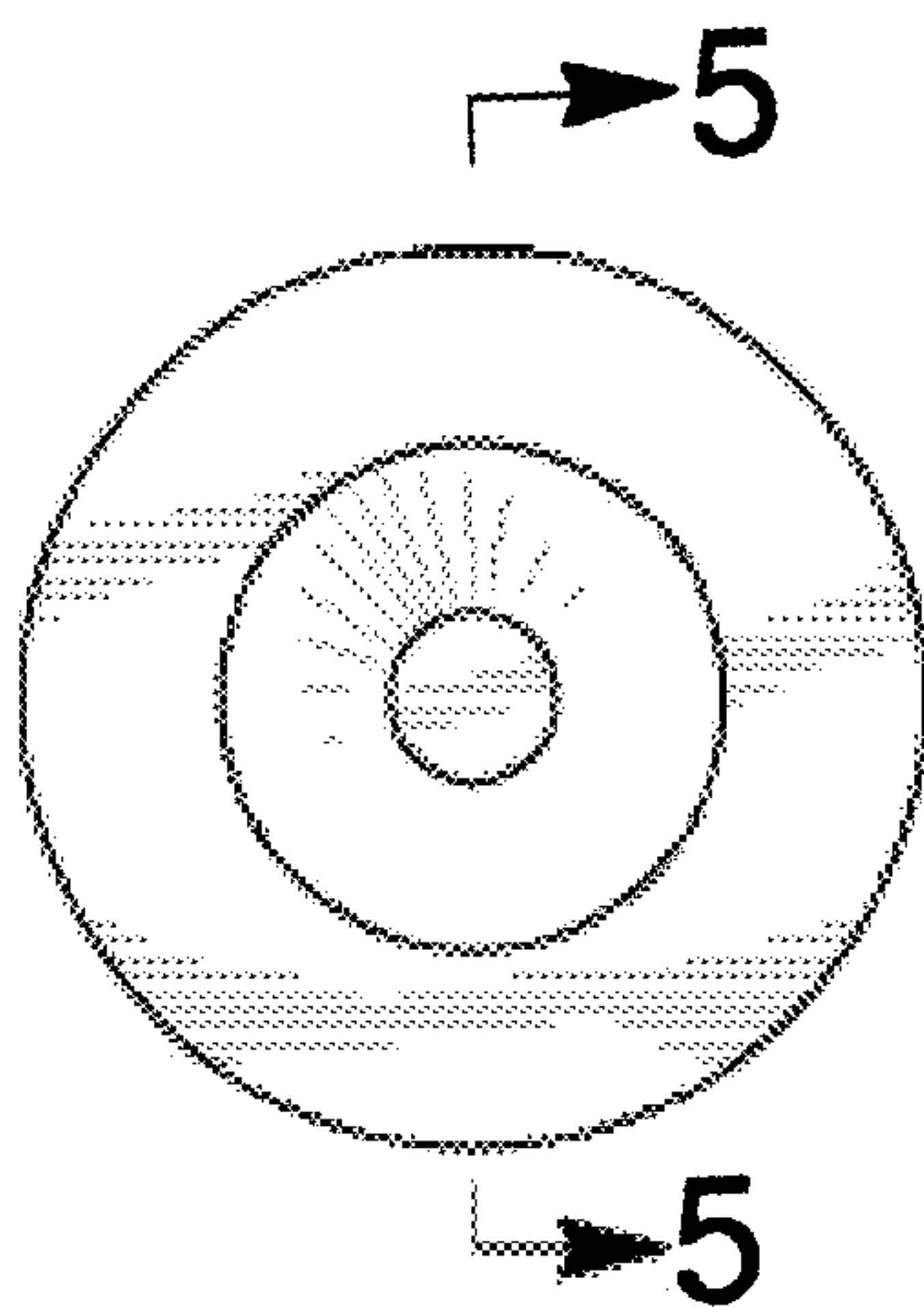


FIG. 5

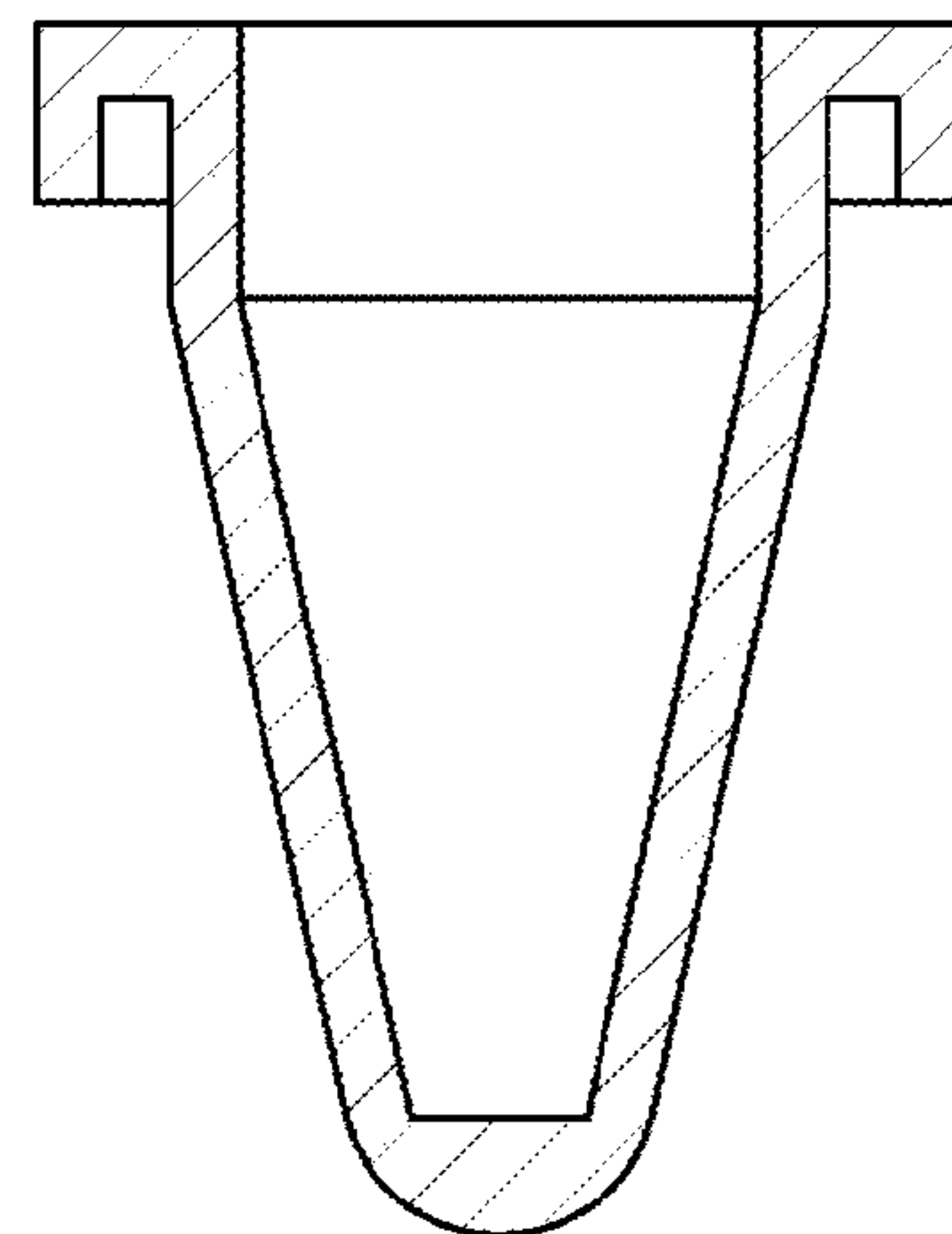


FIG. 4

