



US00D902428S

(12) **United States Design Patent** (10) **Patent No.:** **US D902,428 S**
Klintstedt et al. (45) **Date of Patent:** **** Nov. 17, 2020**

(54) **APPARATUS FOR MEDICAL TESTS**

(71) Applicant: **Q-LINEA AB**, Uppsala (SE)

(72) Inventors: **Markus Klintstedt**, Uppsala (SE);
Peter Olsson, Uppsala (SE); **Anders Lind**, Tärnsjö (SE); **Simon Uhrberg**, Uppsala (SE); **Jerker Persson**, Gävle (SE); **Richard Kroon**, Uppsala (SE)

(73) Assignee: **Q-linea AB**, Uppsala (SE)

(**) Term: **15 Years**

(21) Appl. No.: **35/505,919**

(22) Filed: **Apr. 20, 2018**

(80) **Hague Agreement Data**

Int. Filing Date: **Apr. 20, 2018**

Int. Reg. No.: **DM/100917**

Int. Reg. Date: **Apr. 20, 2018**

Int. Reg. Pub. Date: **Oct. 26, 2018**

(51) **LOC (12) Cl.** **24-02**

(52) **U.S. Cl.**
USPC **D24/223**

(58) **Field of Classification Search**

USPC D24/216, 223, 224, 225, 226, 227, 228,
D24/229, 230; D3/203.1–203.8, 304,
D3/313; D7/553.3; D9/425, 431, 432,
D9/456, 520, 732

CPC B01L 2300/0681; B01L 3/502; B01L
2200/04; B01L 2200/0647; B01L
2300/0803; B01L 2300/0848; B01L
2300/0861; C12Q 1/686

See application file for complete search history.

(56) **References Cited**

U.S. PATENT DOCUMENTS

D433,149 S * 10/2000 Fassbind D24/121
D669,999 S * 10/2012 Davies D24/224

D670,818 S * 11/2012 Galano D24/224
D785,195 S * 4/2017 Owen D24/224
D803,416 S * 11/2017 Leaver D24/224
D824,534 S * 7/2018 Kelly D24/224
D840,549 S * 2/2019 Kelly D24/223
2015/0369827 A1* 12/2015 Zimmerle G01N 33/728
436/97
2019/0111436 A1* 4/2019 Wescott B01L 9/00
2019/0169561 A1* 6/2019 Lee C12M 41/16

* cited by examiner

Primary Examiner — Samantha Q Lawrence

(74) *Attorney, Agent, or Firm* — Fay Sharpe LLP

(57) **CLAIM**

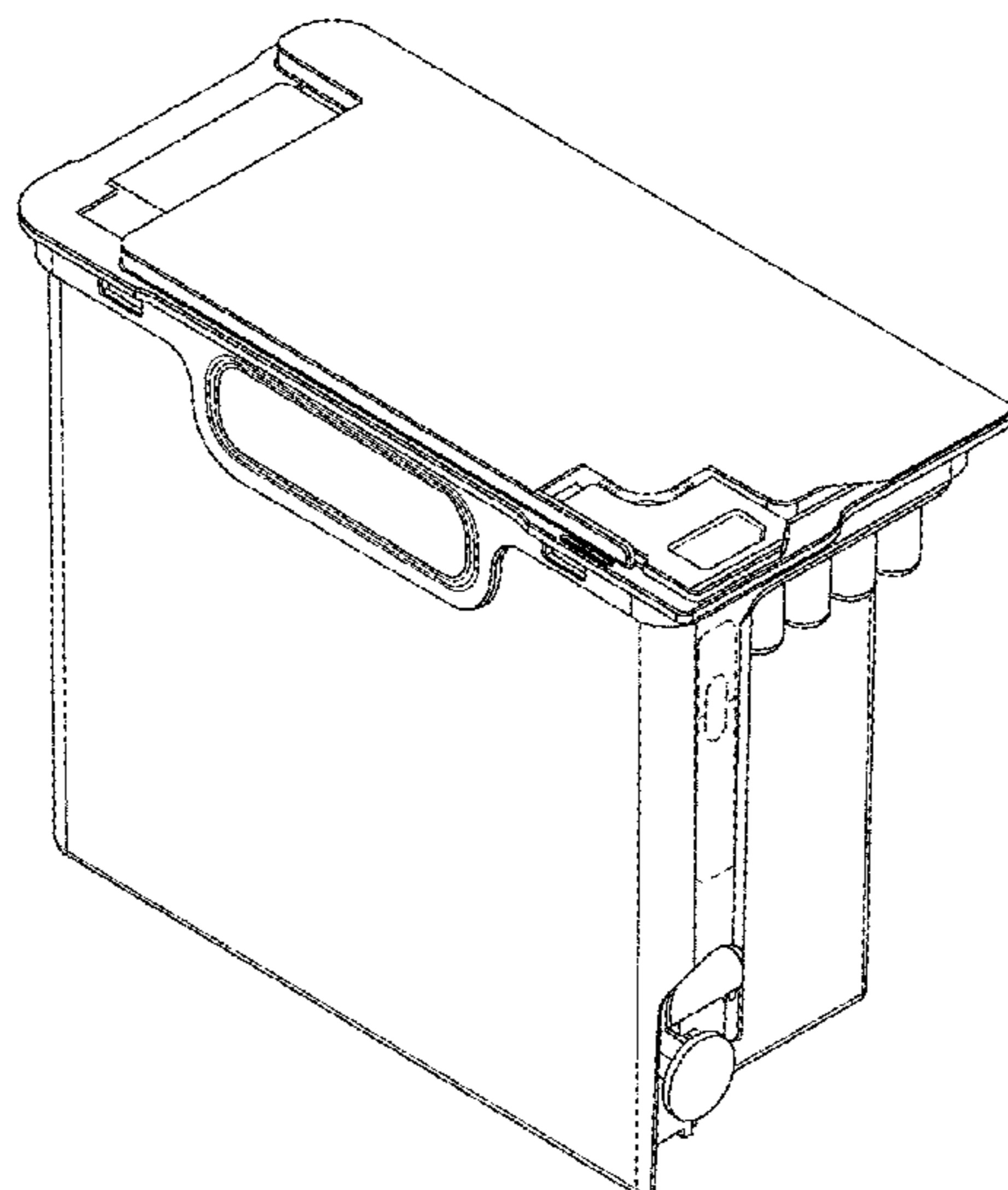
The ornamental design for apparatus for medical tests, as shown and described.

DESCRIPTION

FIG. 1.1 is a left side view of a first embodiment of an apparatus for medical tests;
FIG. 1.2 is a perspective view thereof;
FIG. 1.3 is another perspective view thereof;
FIG. 1.4 is a front view thereof;
FIG. 1.5 is a right side view thereof;
FIG. 1.6 is a back view thereof;
FIG. 1.7 is a bottom view thereof;
FIG. 1.8 is a top view thereof;
FIG. 6.1 is a left side view of a second embodiment of an apparatus for medical test;
FIG. 6.2 is a perspective view thereof;
FIG. 6.3 is another perspective view thereof;
FIG. 6.4 is a front view thereof;
FIG. 6.5 is a right side view thereof;
FIG. 6.6 is a back view thereof;
FIG. 6.7 is a bottom view thereof; and
FIG. 6.8 is a top view thereof.

The broken lines shown in FIGS. 1.2, 1.3, 1.4, 1.6, 1.7, 6.2, 6.3, 6.4, 6.6, and 6.7 illustrate portions of the apparatus for medical tests that form no part of the claimed design.

1 Claim, 16 Drawing Sheets



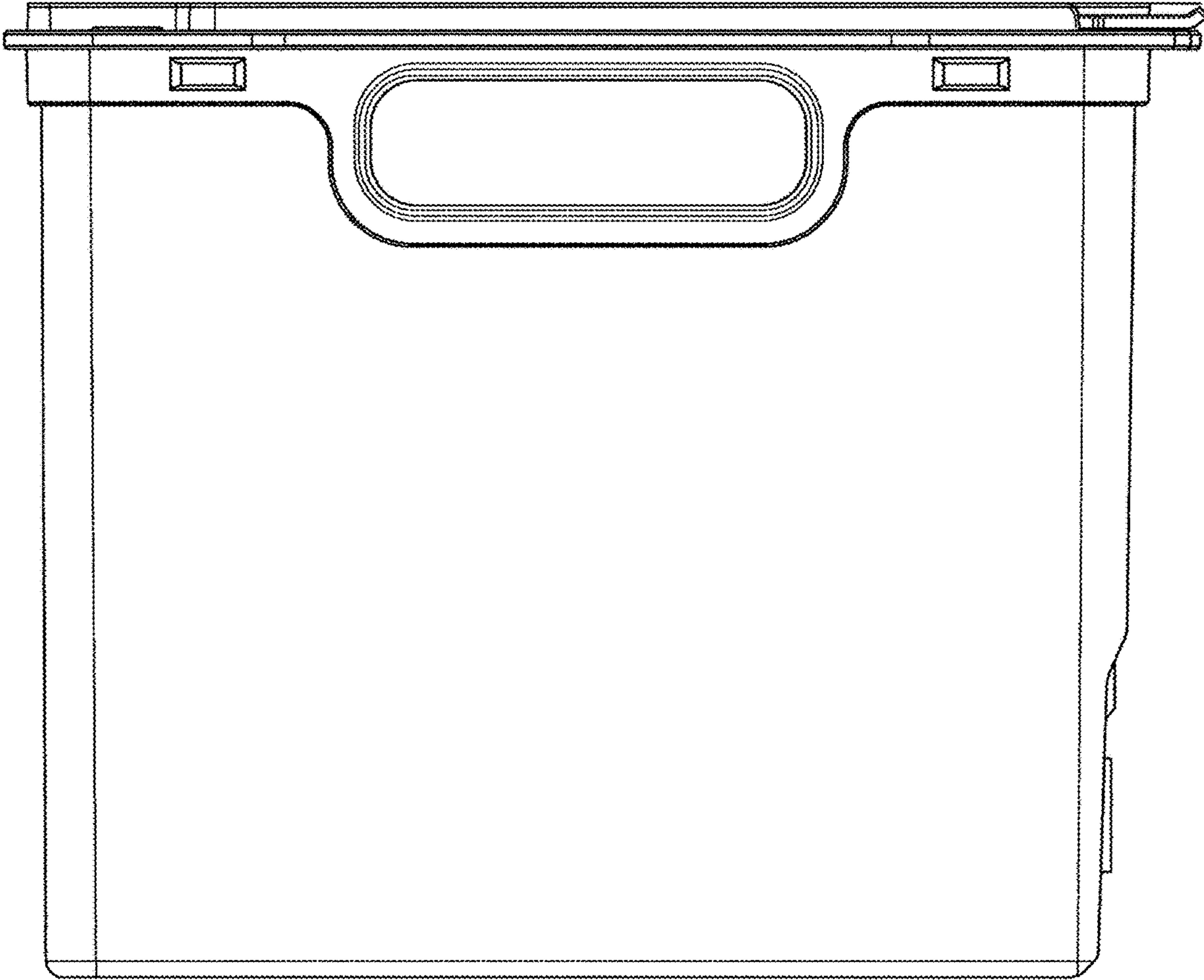


FIG. 1.1

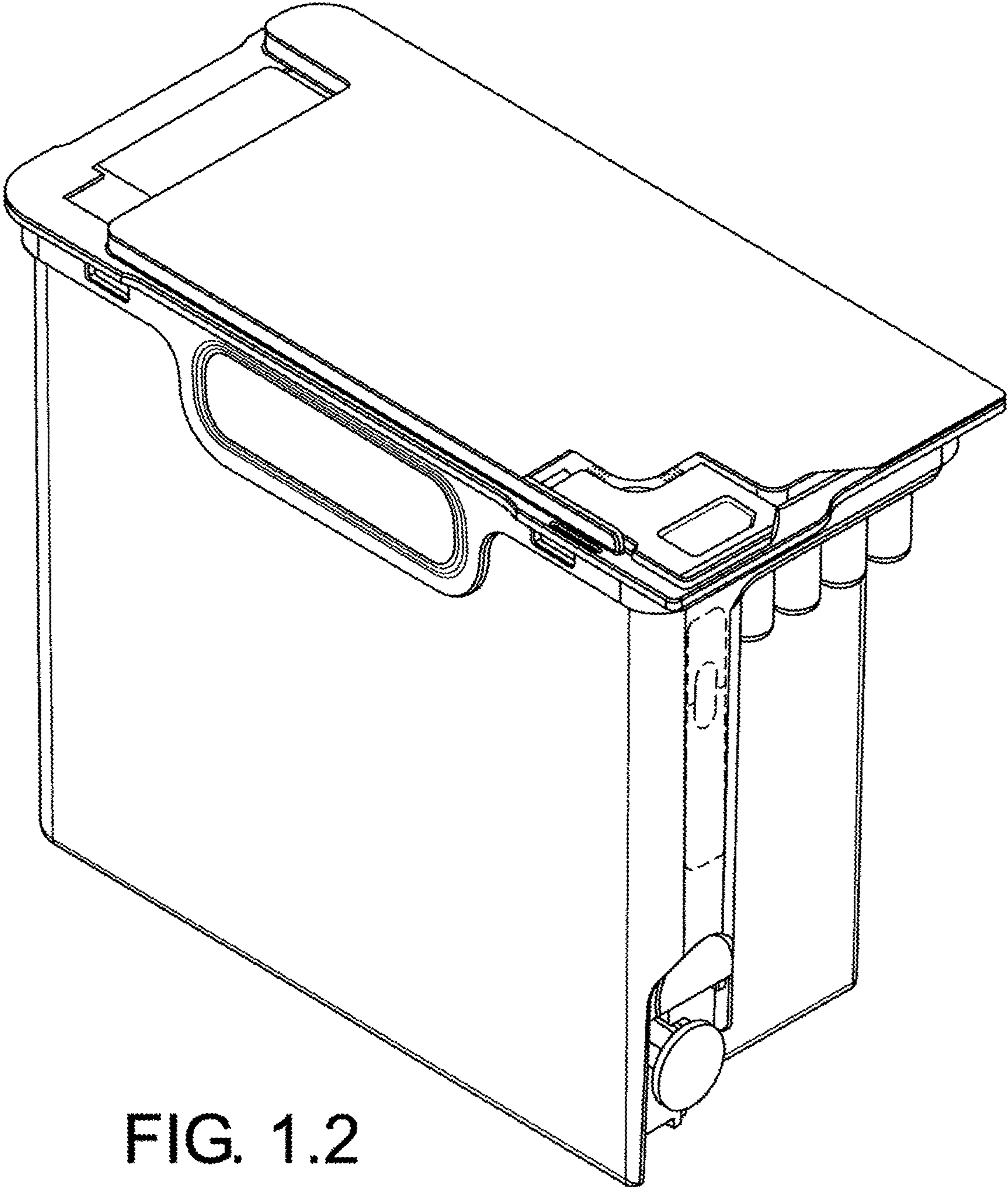


FIG. 1.2

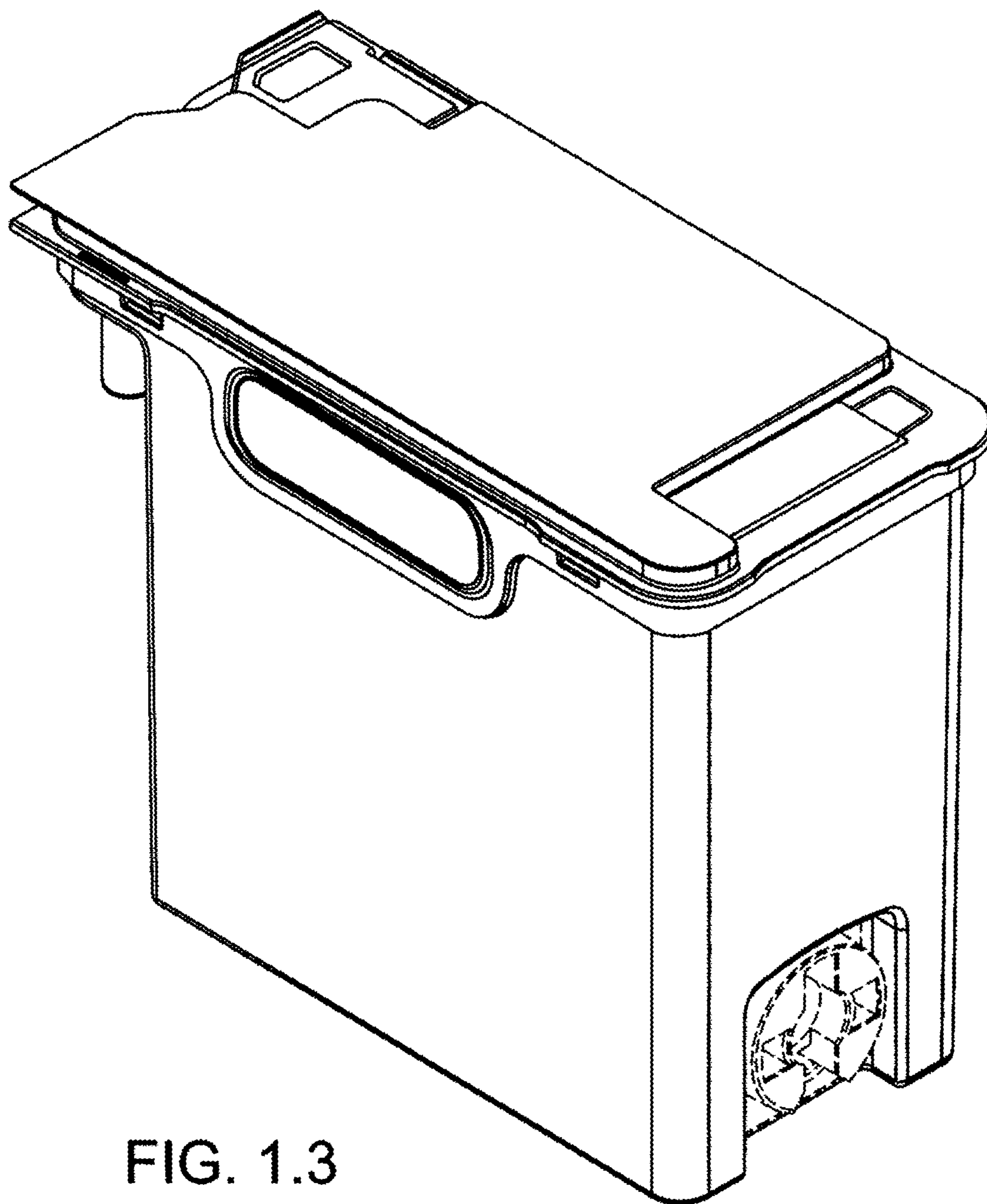


FIG. 1.3

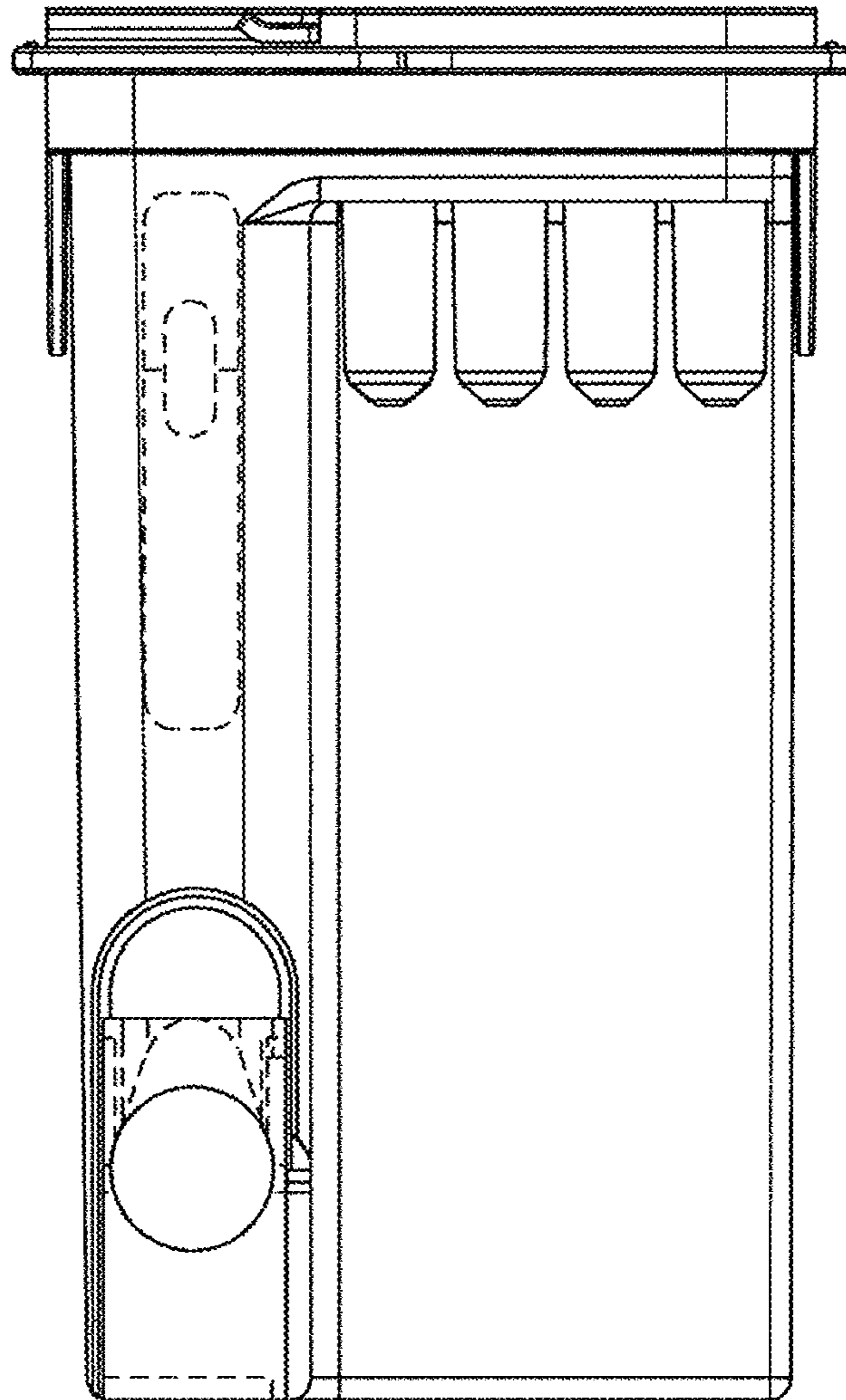


FIG. 1.4

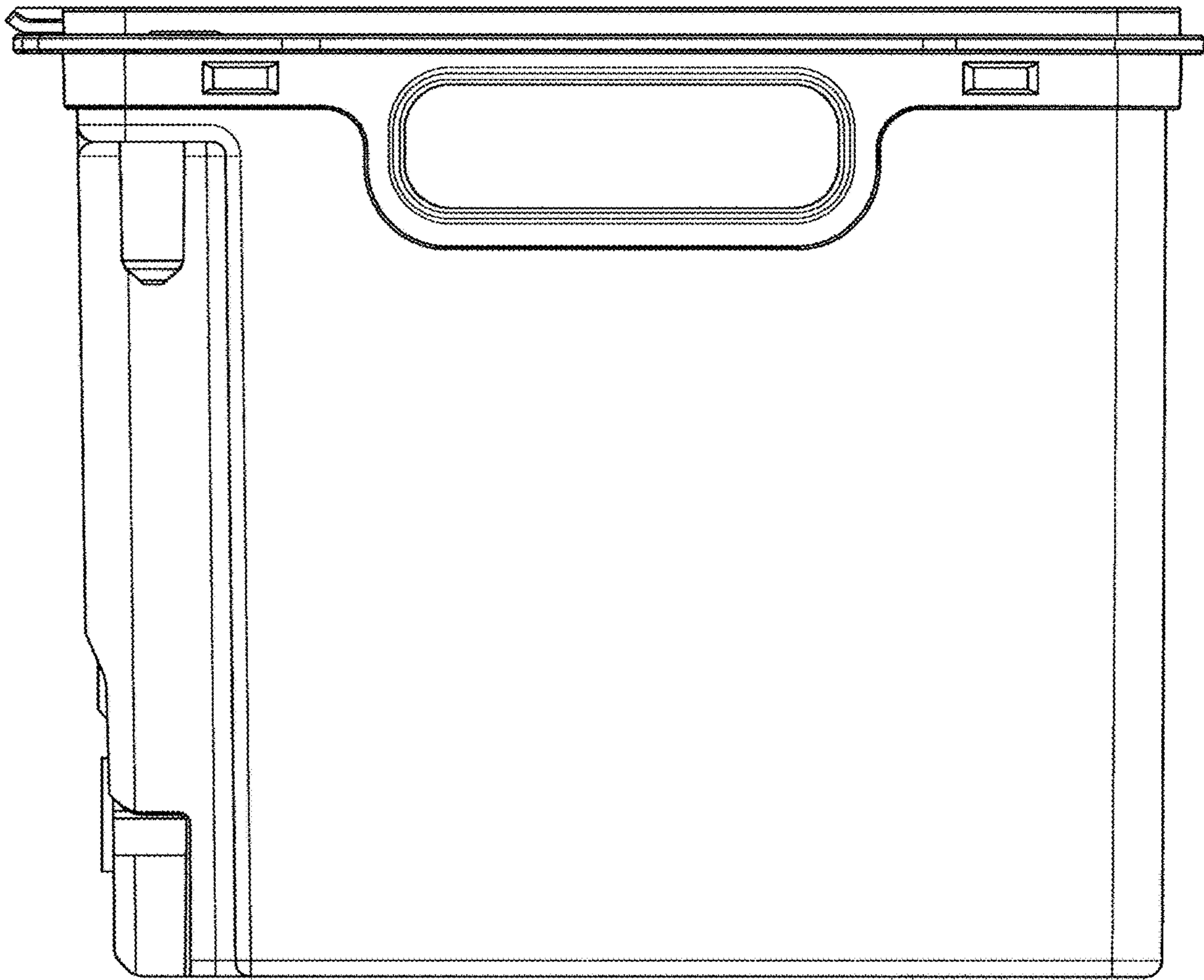


FIG. 1.5

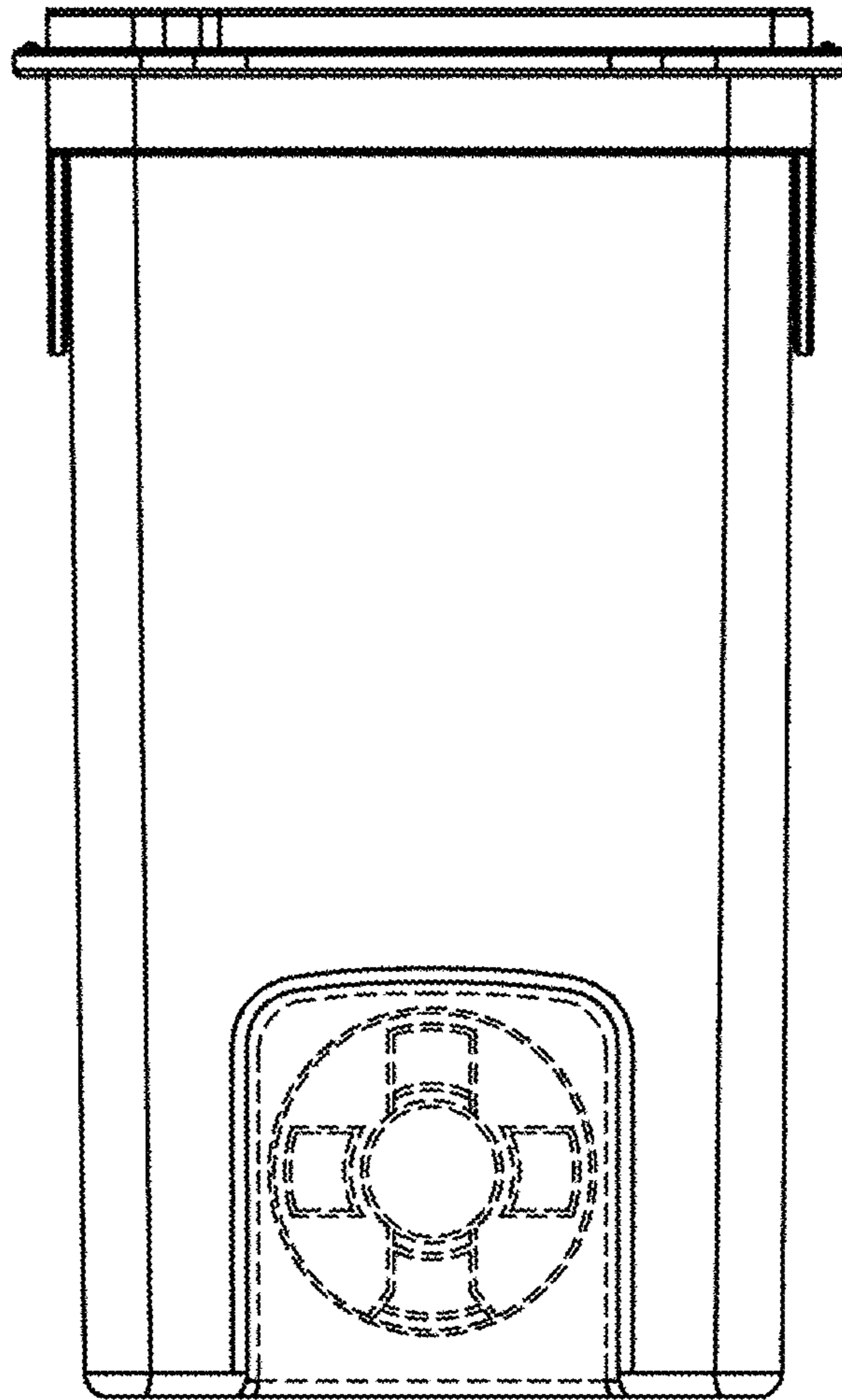


FIG. 1.6

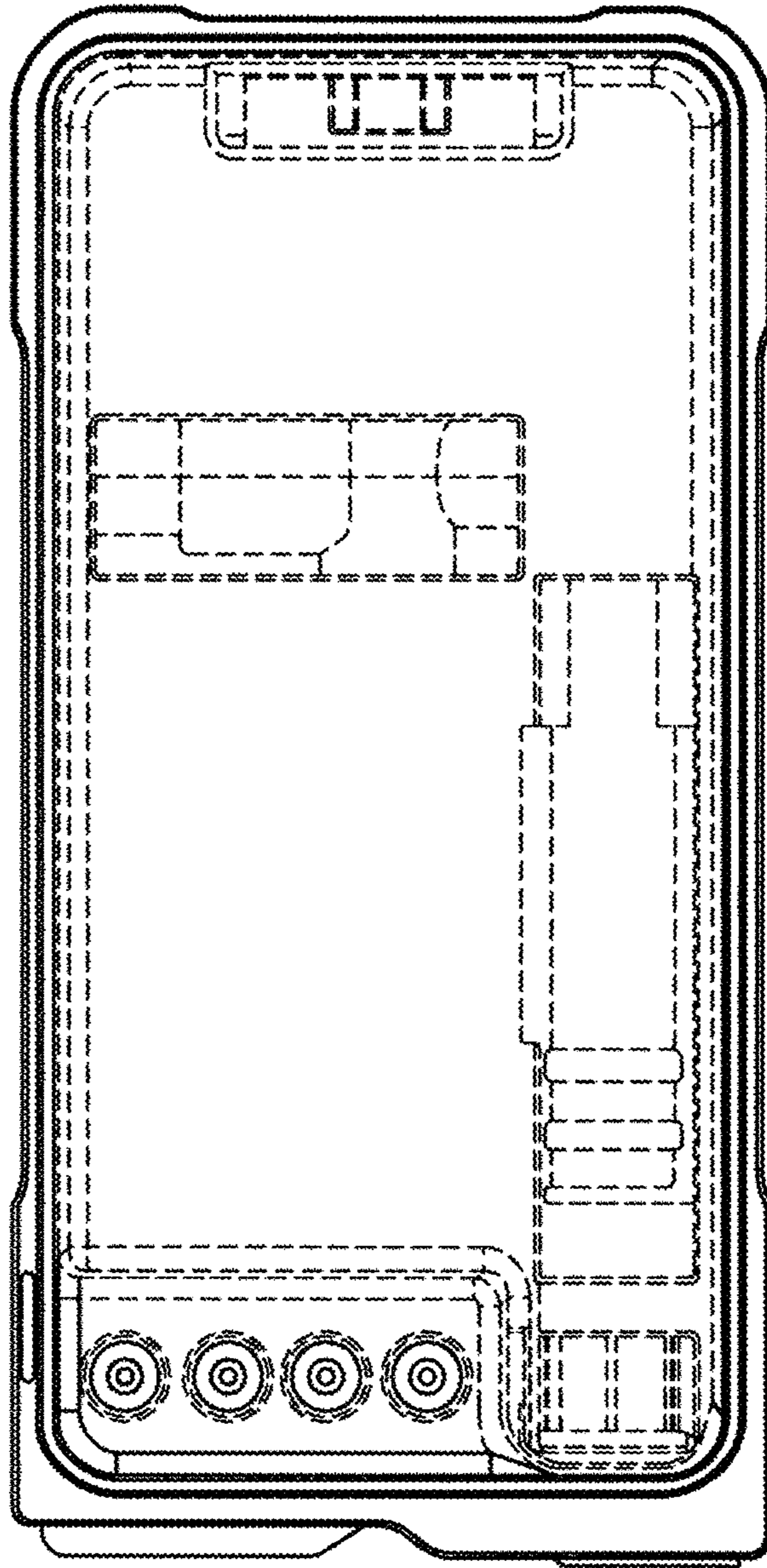


FIG. 1.7

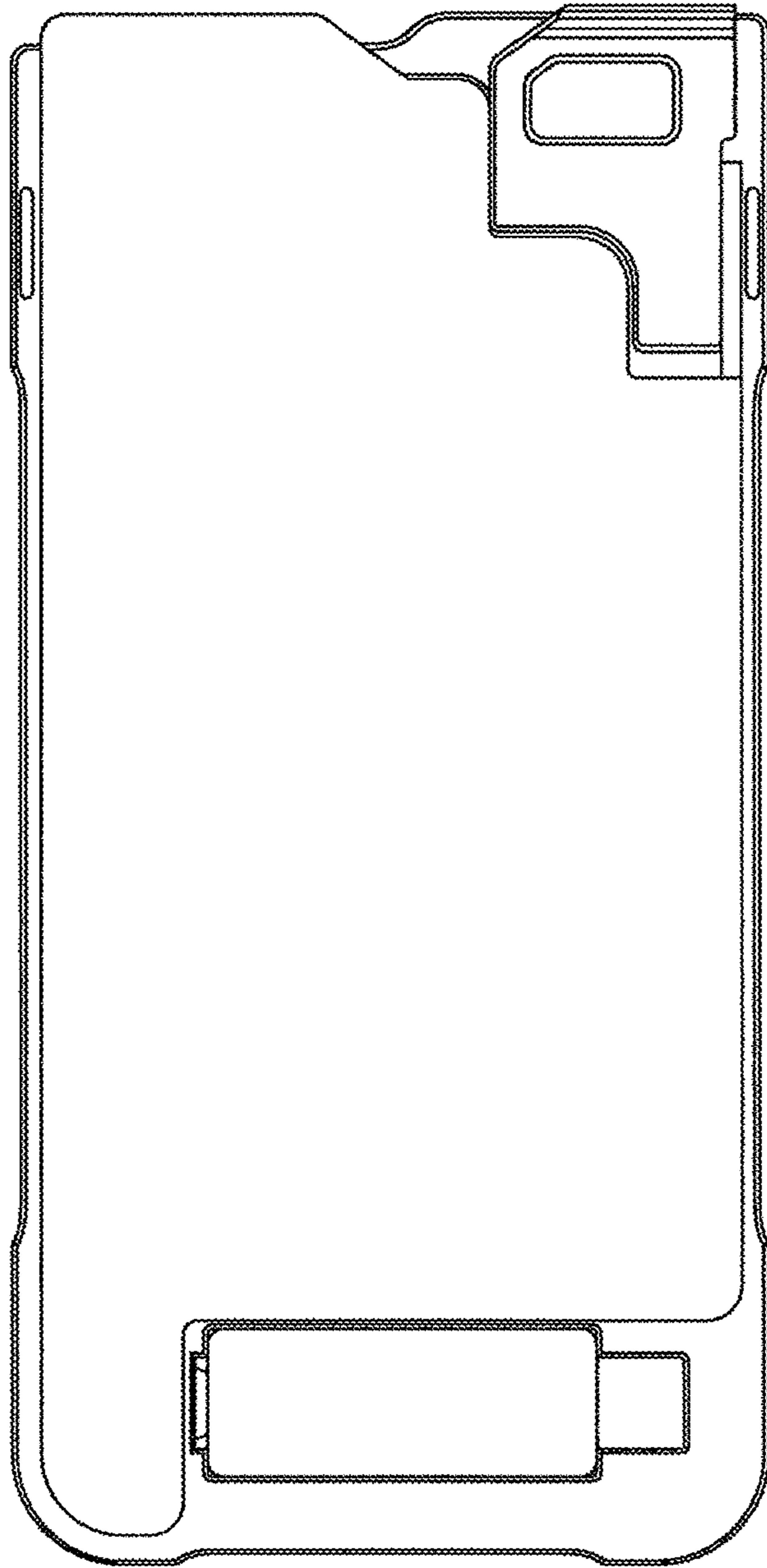


FIG. 1.8

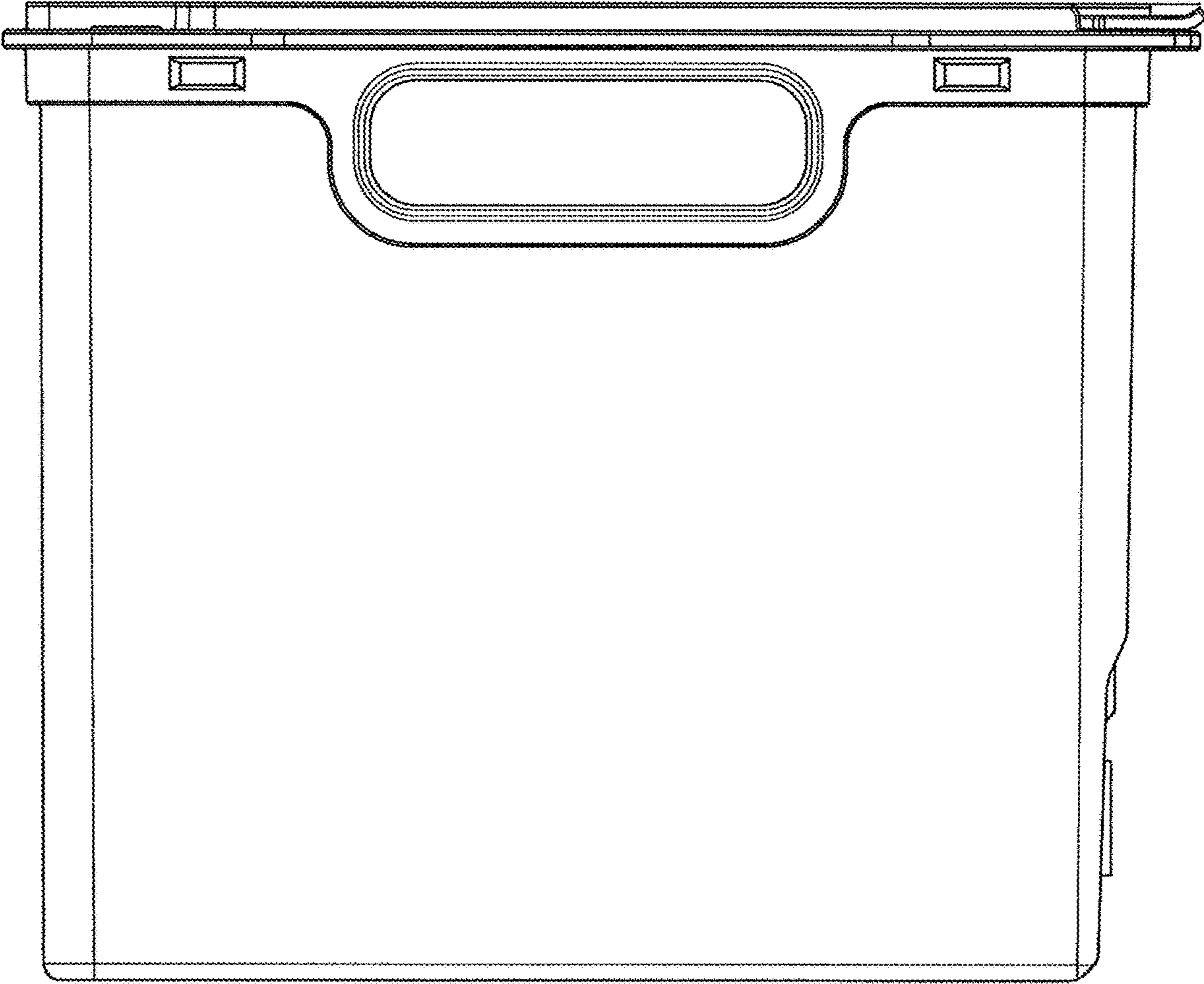


FIG. 6.1

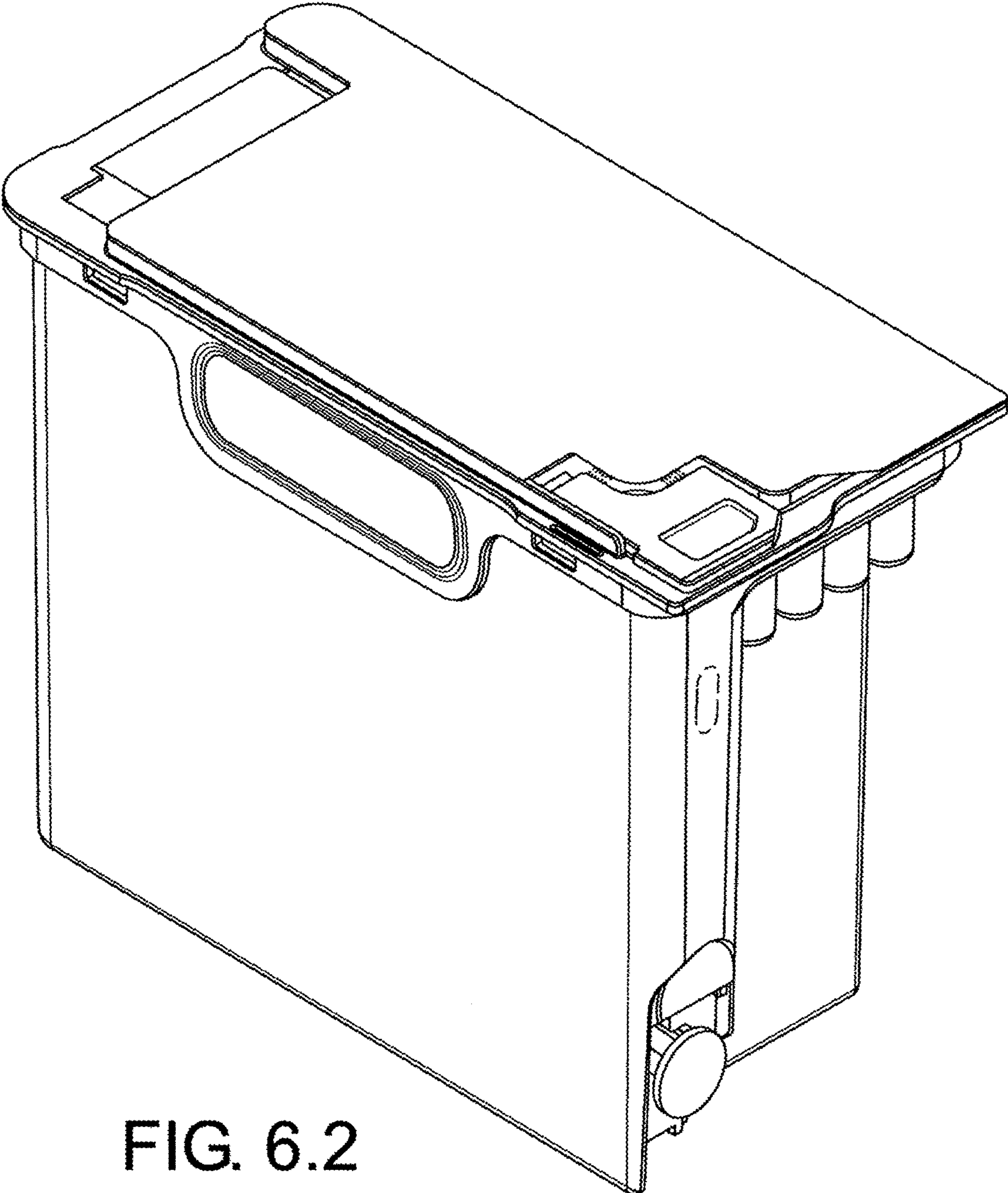


FIG. 6.2

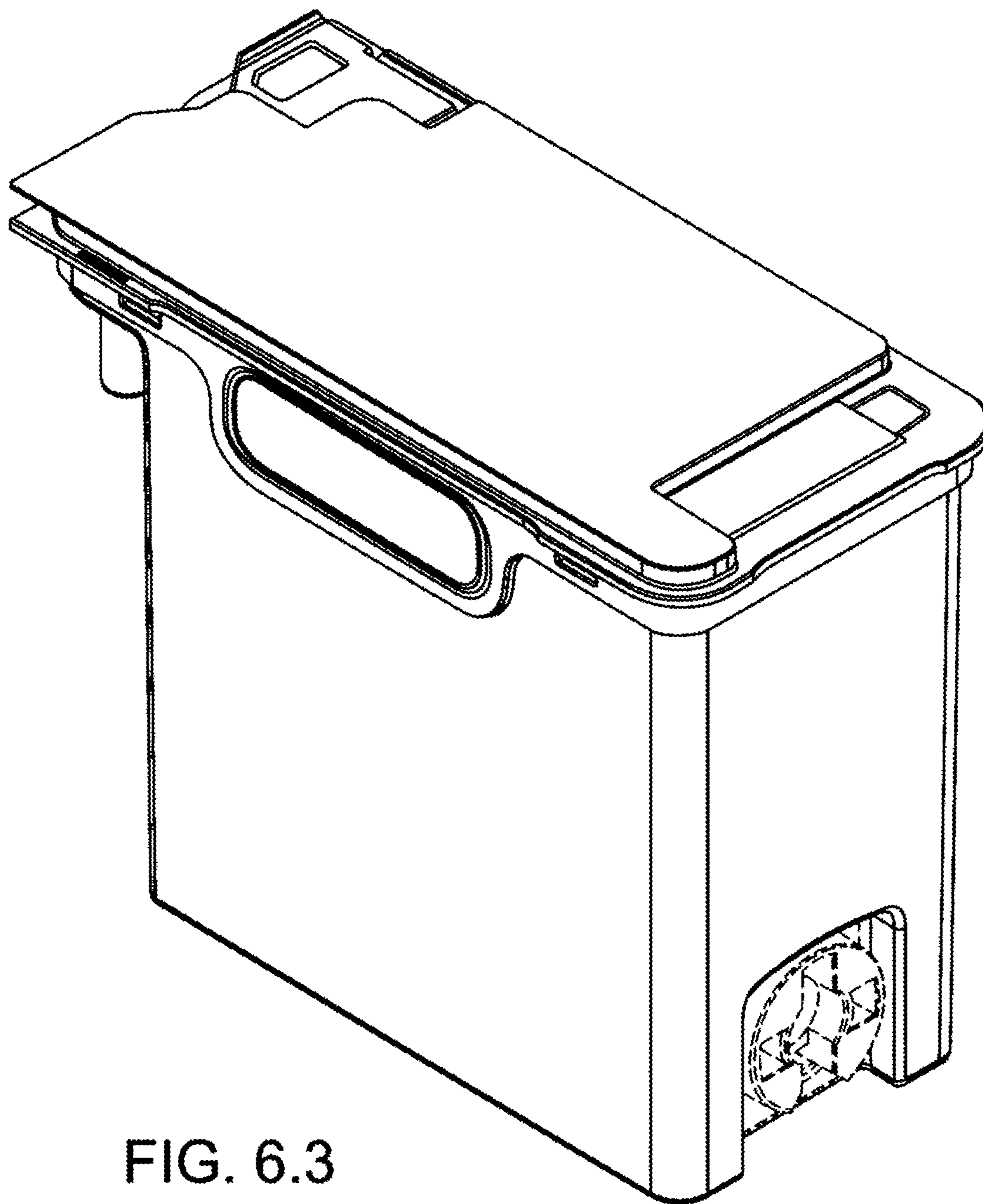


FIG. 6.3

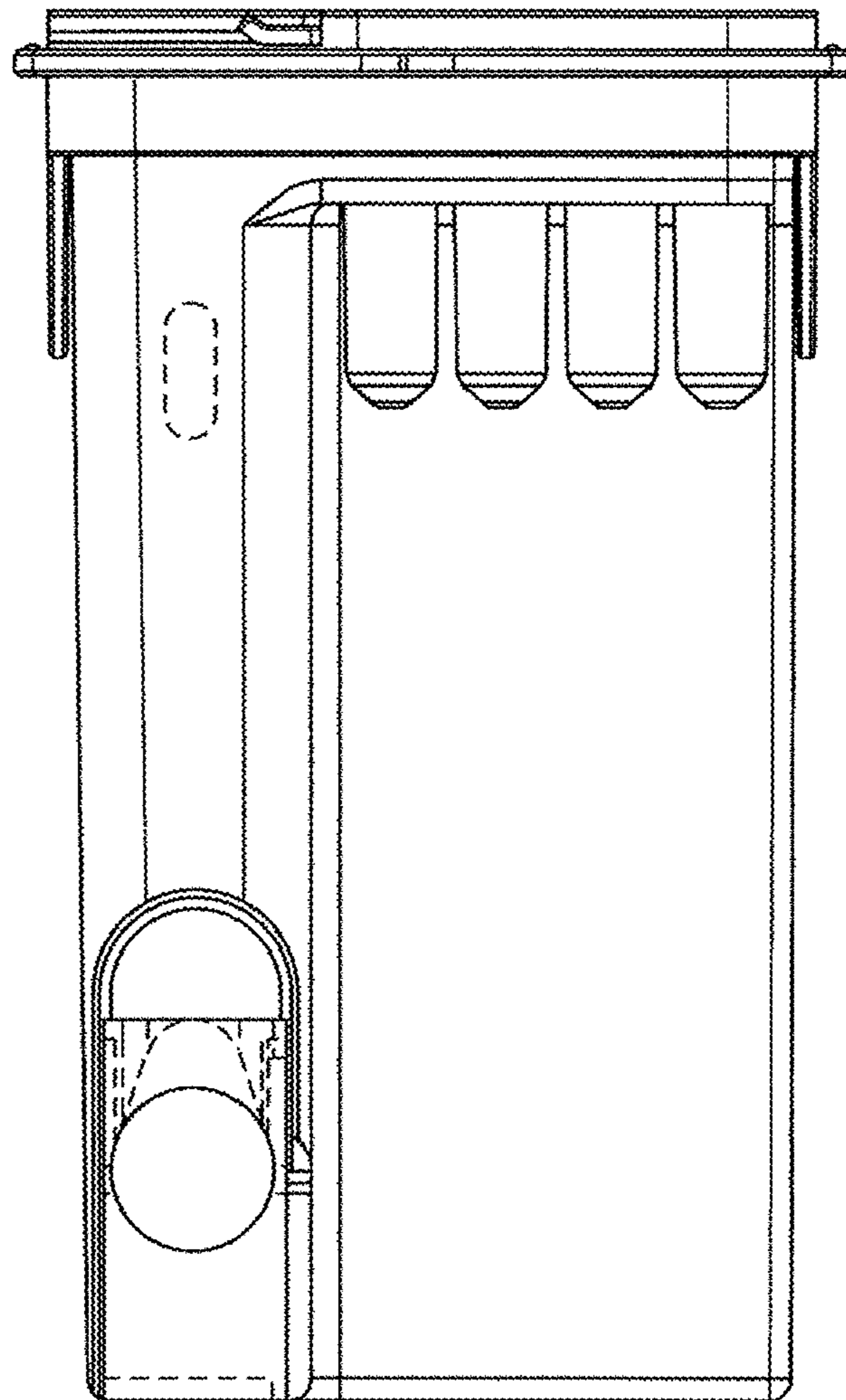


FIG. 6.4

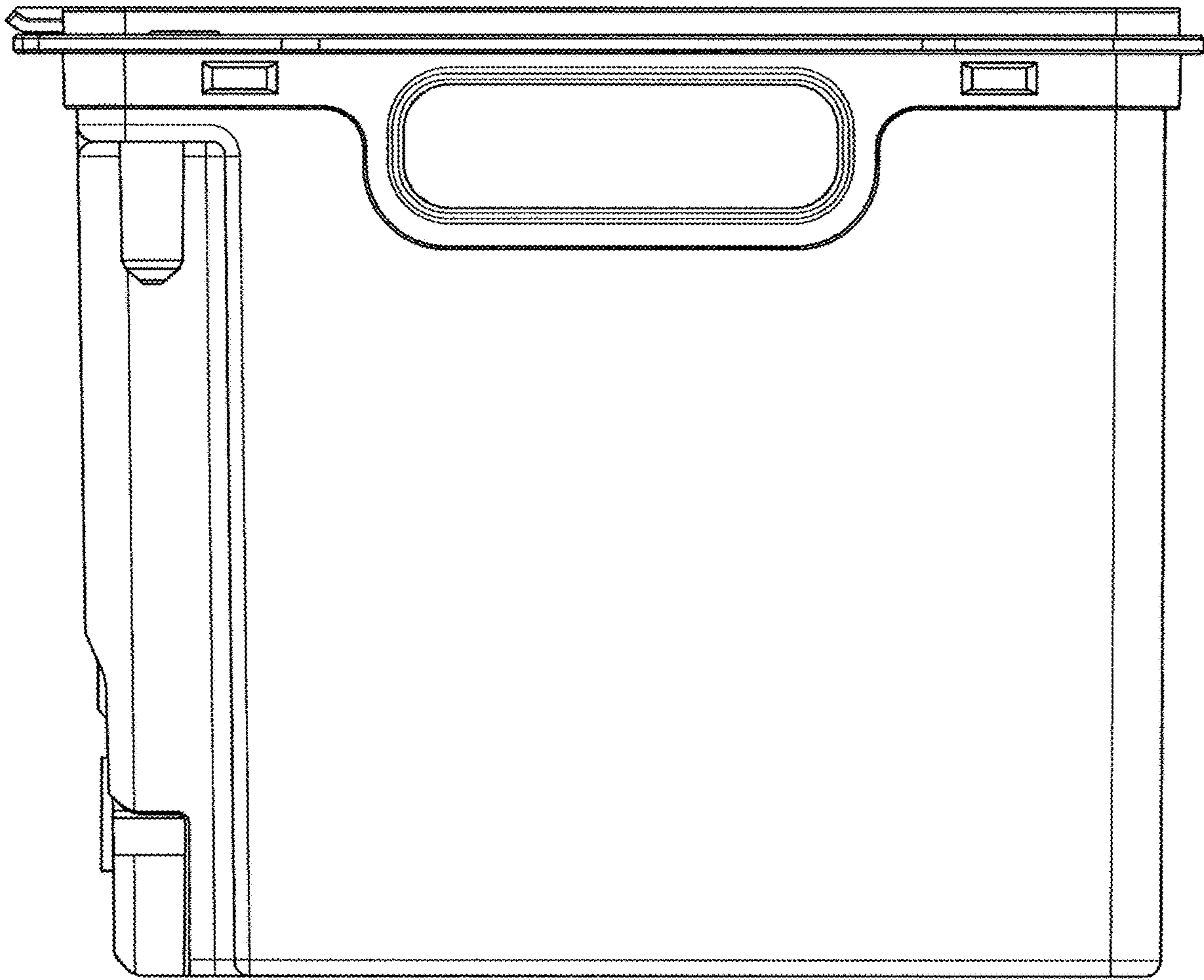


FIG. 6.5

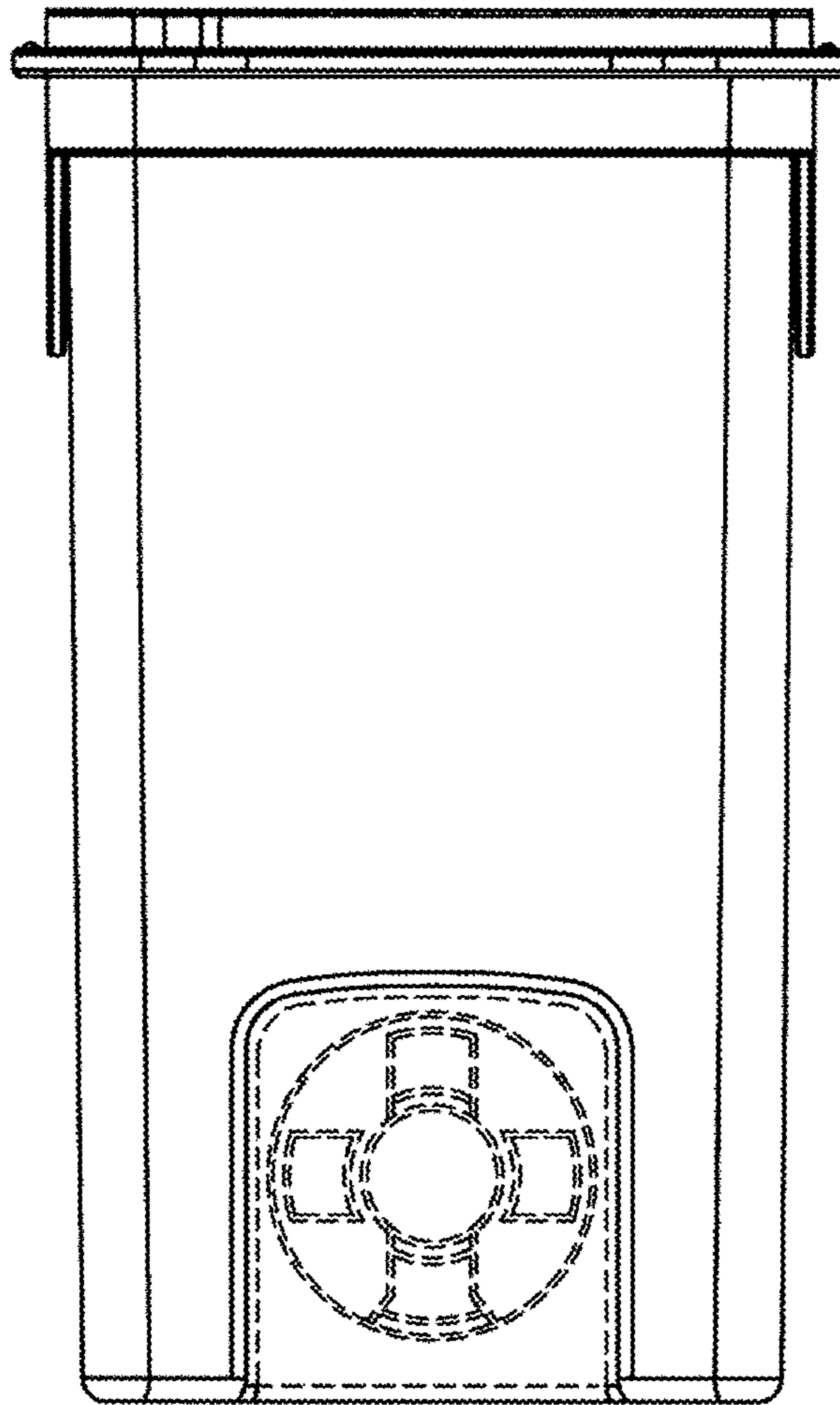


FIG. 6.6

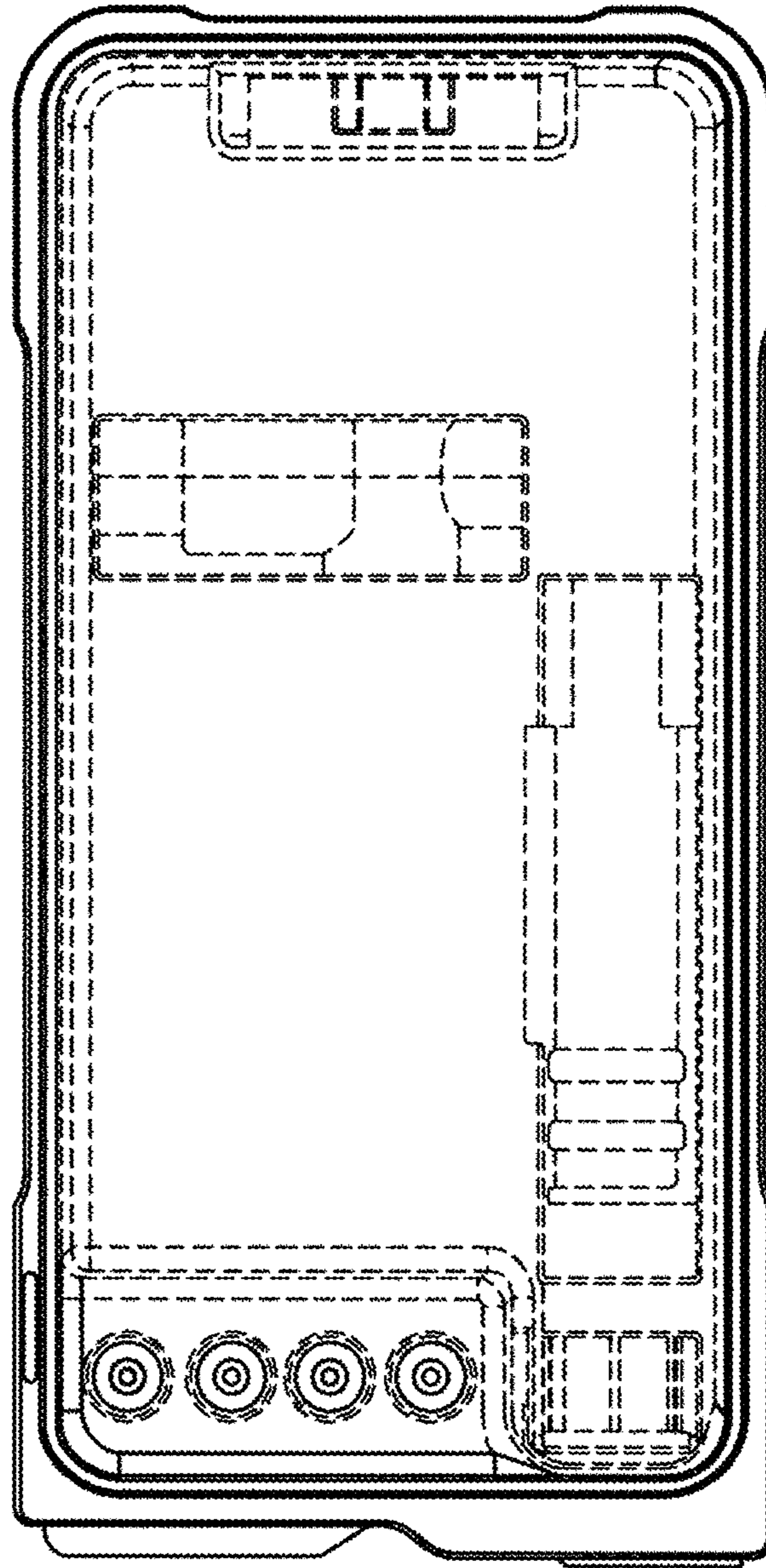


FIG. 6.7

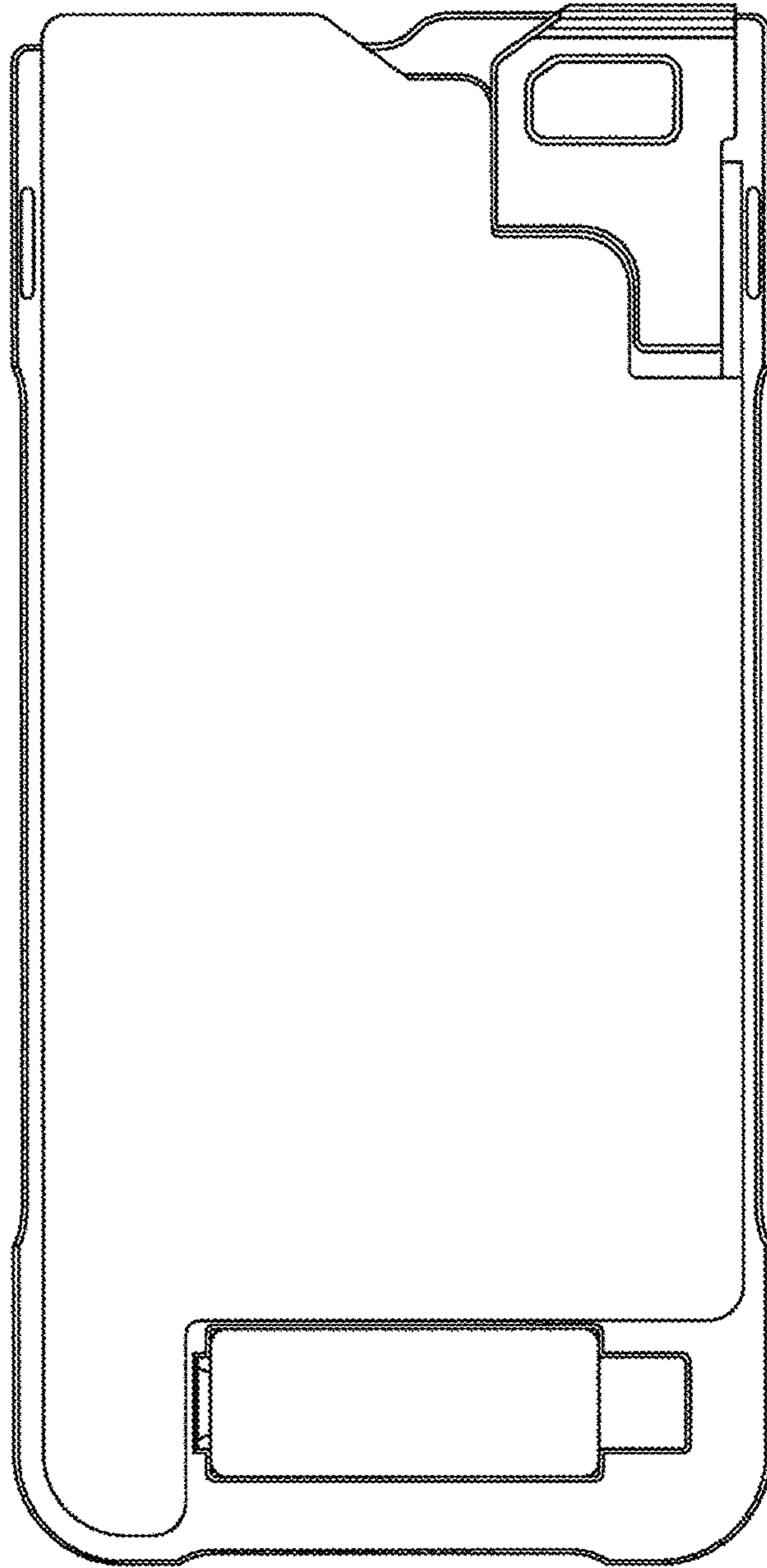


FIG. 6.8