



US00D902427S

(12) **United States Design Patent** (10) **Patent No.:** **US D902,427 S**
Okamura (45) **Date of Patent:** **** Nov. 17, 2020**

(54) **EJACULATION PROMOTION APPARATUS**

(56) **References Cited**

(71) Applicant: **TENGA Co., Ltd.**, Tokyo (JP)

U.S. PATENT DOCUMENTS

(72) Inventor: **Keisuke Okamura**, Tokyo (JP)

D552,249	S	*	10/2007	Matsuura	D24/216
D674,908	S	*	1/2013	Matsuura	D24/215
D675,331	S	*	1/2013	Matsuura	D24/215
D695,414	S	*	12/2013	Matsuura	D24/215
D717,963	S	*	11/2014	Milton	D24/215
D736,400	S	*	8/2015	Matsuura	D24/215
D736,401	S	*	8/2015	Matsuura	D24/215
D810,955	S	*	2/2018	Miklavc	D24/215
D823,462	S	*	7/2018	Okamura	D24/215
D837,996	S	*	1/2019	Sugimoto	D24/215
D843,592	S	*	3/2019	Tsuyama	D24/215
D888,265	S	*	6/2020	Dumler	D24/215
D888,980	S	*	6/2020	Tsuyama	D24/215
2008/0004577	A1	*	1/2008	Matsuura	A61B 10/0058 604/317
2008/0065033	A1	*	3/2008	Matsuura	A61B 10/0045 604/349

(73) Assignee: **TENGA CO., LTD.**, Tokyo (JP)

(**) Term: **15 Years**

(21) Appl. No.: **35/507,260**

(22) Filed: **Feb. 15, 2019**

(80) **Hague Agreement Data**

Int. Filing Date: **Feb. 15, 2019**

Int. Reg. No.: **DM/201175**

Int. Reg. Date: **Feb. 15, 2019**

Int. Reg. Pub. Date: **Aug. 16, 2019**

(30) **Foreign Application Priority Data**

Feb. 1, 2019 (JP) 2019-002044

(51) **LOC (12) Cl.** **28-03**

(52) **U.S. Cl.**
USPC **D24/215**

(58) **Field of Classification Search**

USPC 601/15, 18, 19, 46, 47, 48, 52, 99, 112,
601/113, 118, 125, 129, 134, 135, 137,
601/DIG. 12, DIG. 14, DIG. 15, DIG. 16,
601/DIG. 17; D24/133, 200, 211, 212,
D24/213, 214, 215; 600/38, 39, 40, 41;
D30/160

CPC .. A61H 2201/0153; A61H 1/00; A61H 39/02;
A61H 7/007; A61H 19/44; A61H 19/30

See application file for complete search history.

* cited by examiner

Primary Examiner — Melanie Pellegrini

(74) *Attorney, Agent, or Firm* — Masuvalley & Partners

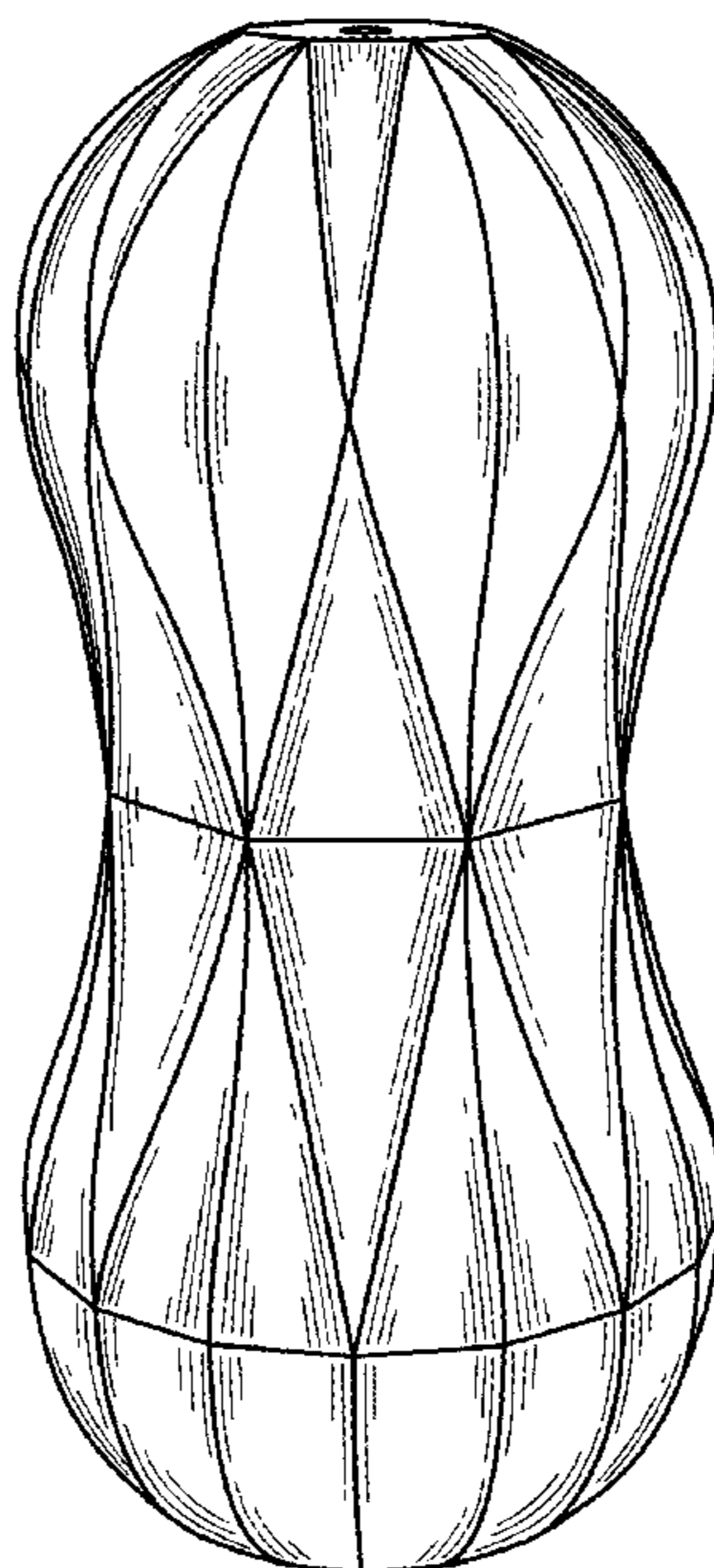
(57) **CLAIM**

The ornamental design for an ejaculation promotion apparatus, as shown and described.

DESCRIPTION

1. Ejaculation promotion apparatus
- 1.1) Perspective;
- 1.2) Front;
- 1.3) Back;
- 1.4) Left;
- 1.5) Right;
- 1.6) Top; and
- 1.7) Bottom.

1 Claim, 7 Drawing Sheets



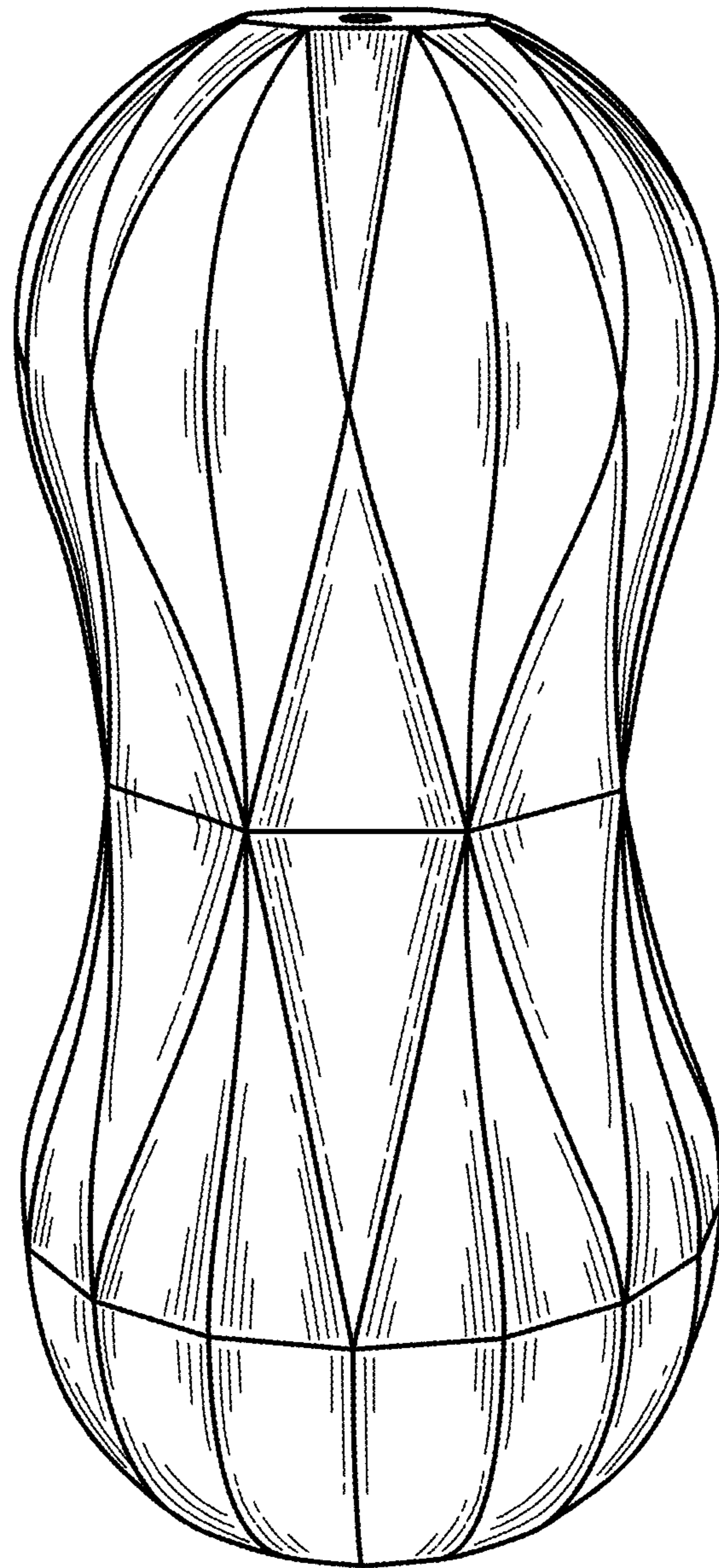


FIG.1.1

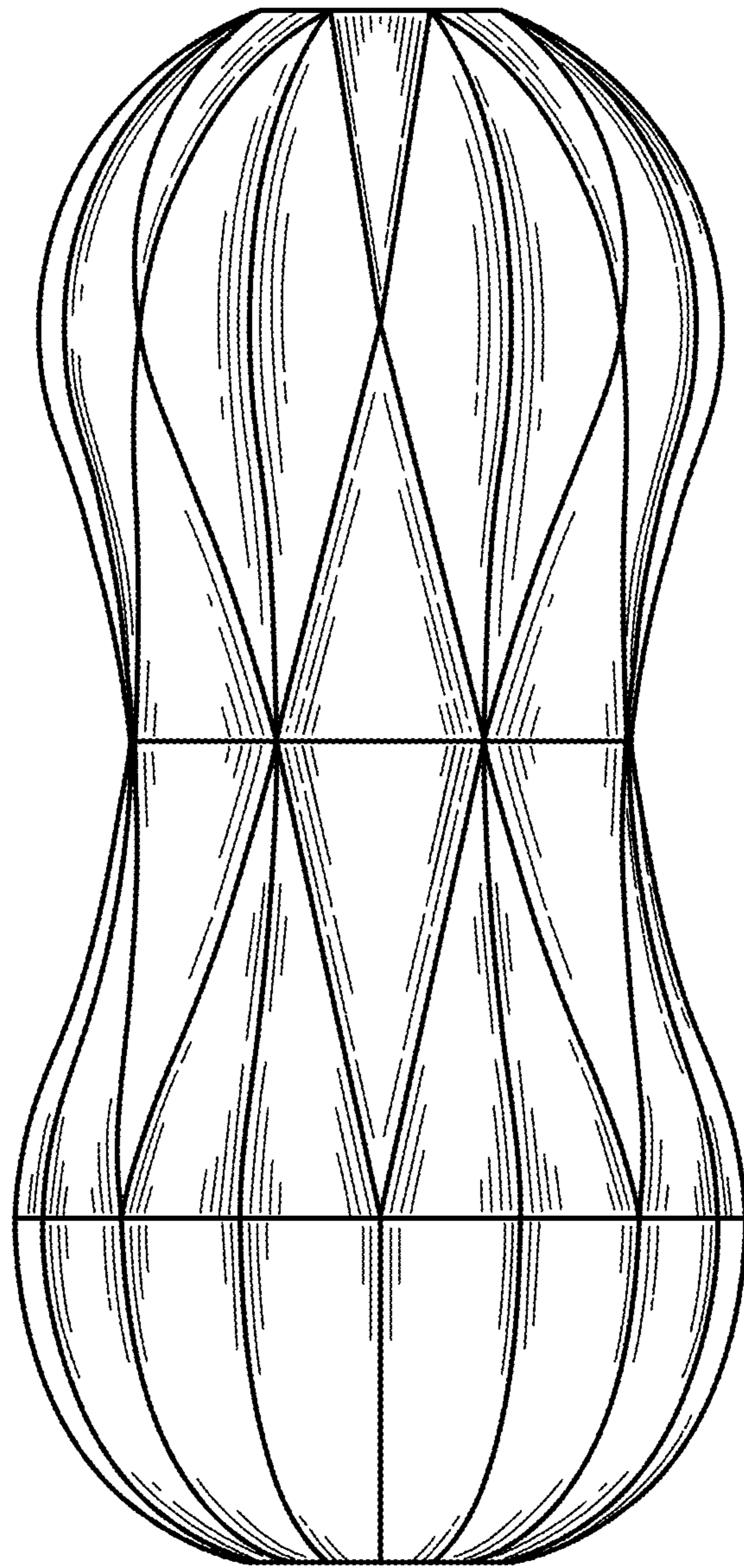


FIG.1.2

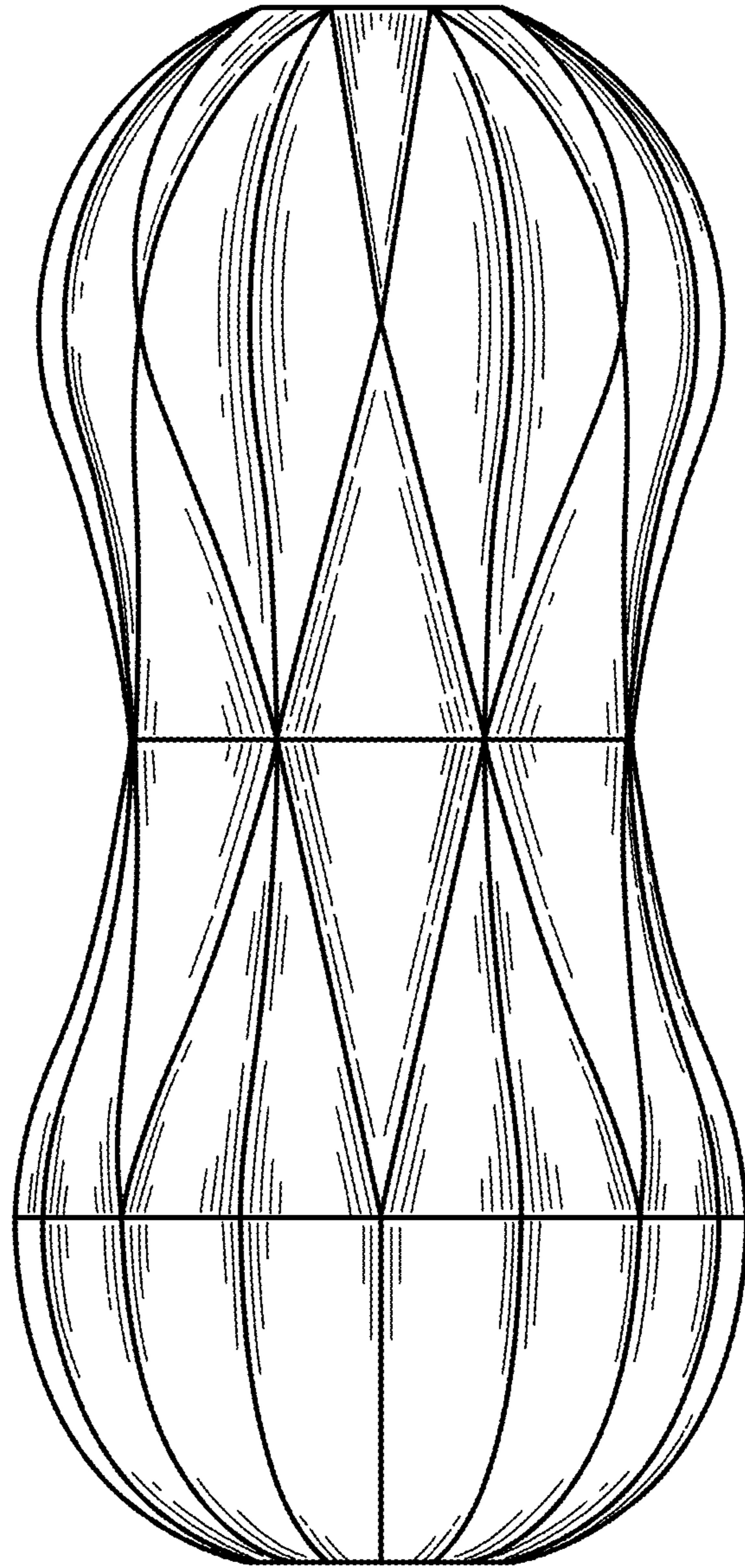


FIG.1.3

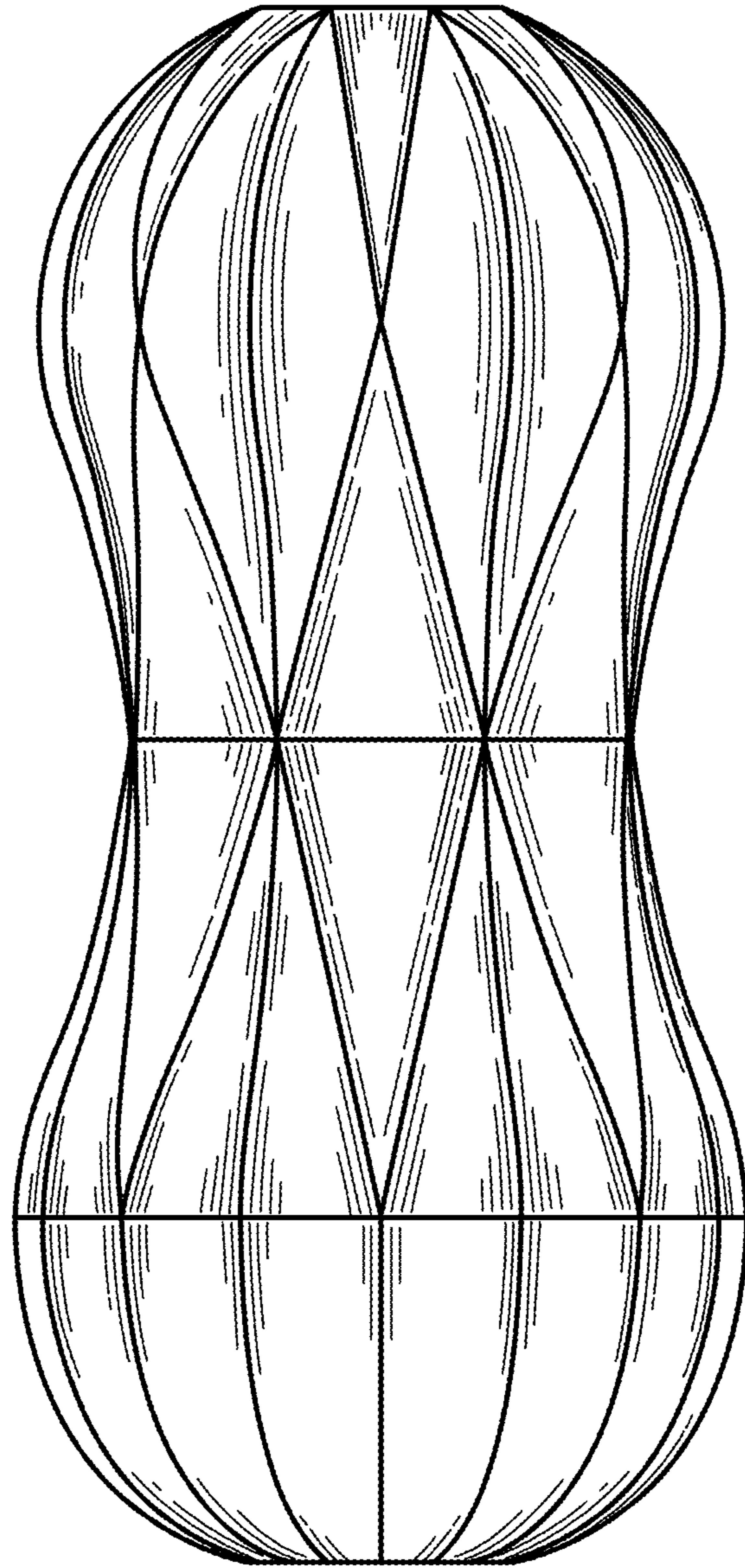


FIG.1.4

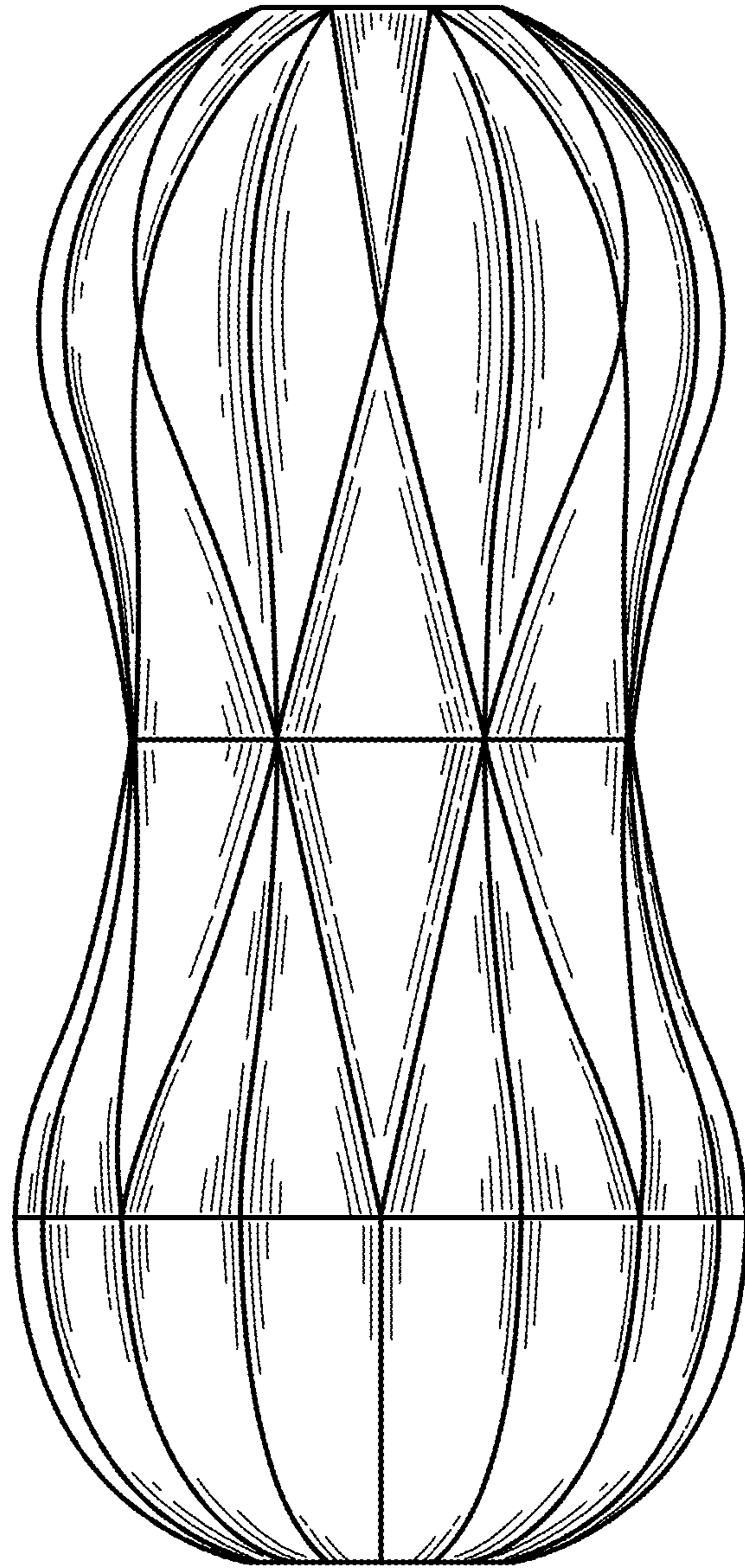


FIG.1.5

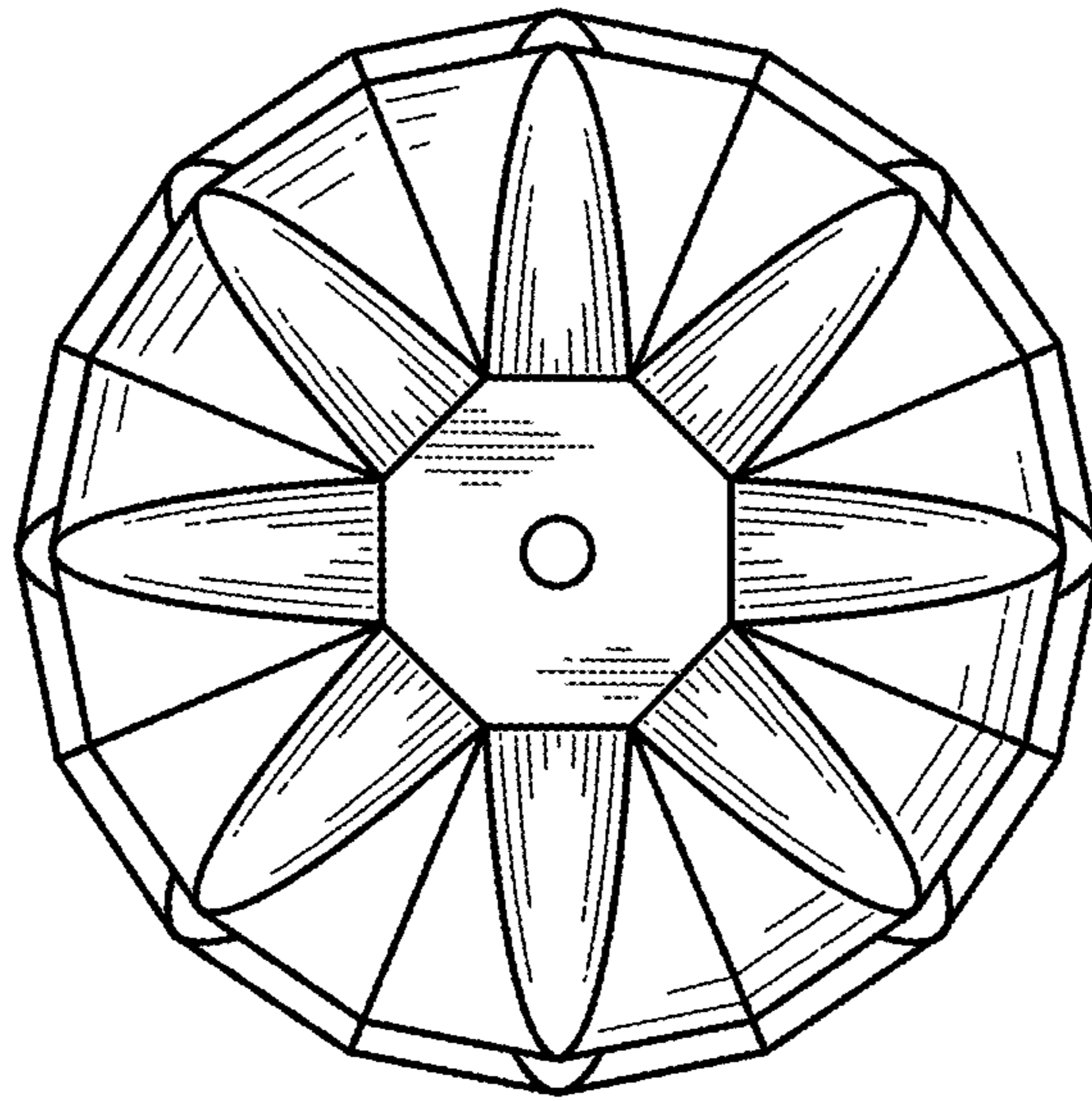


FIG.1.6

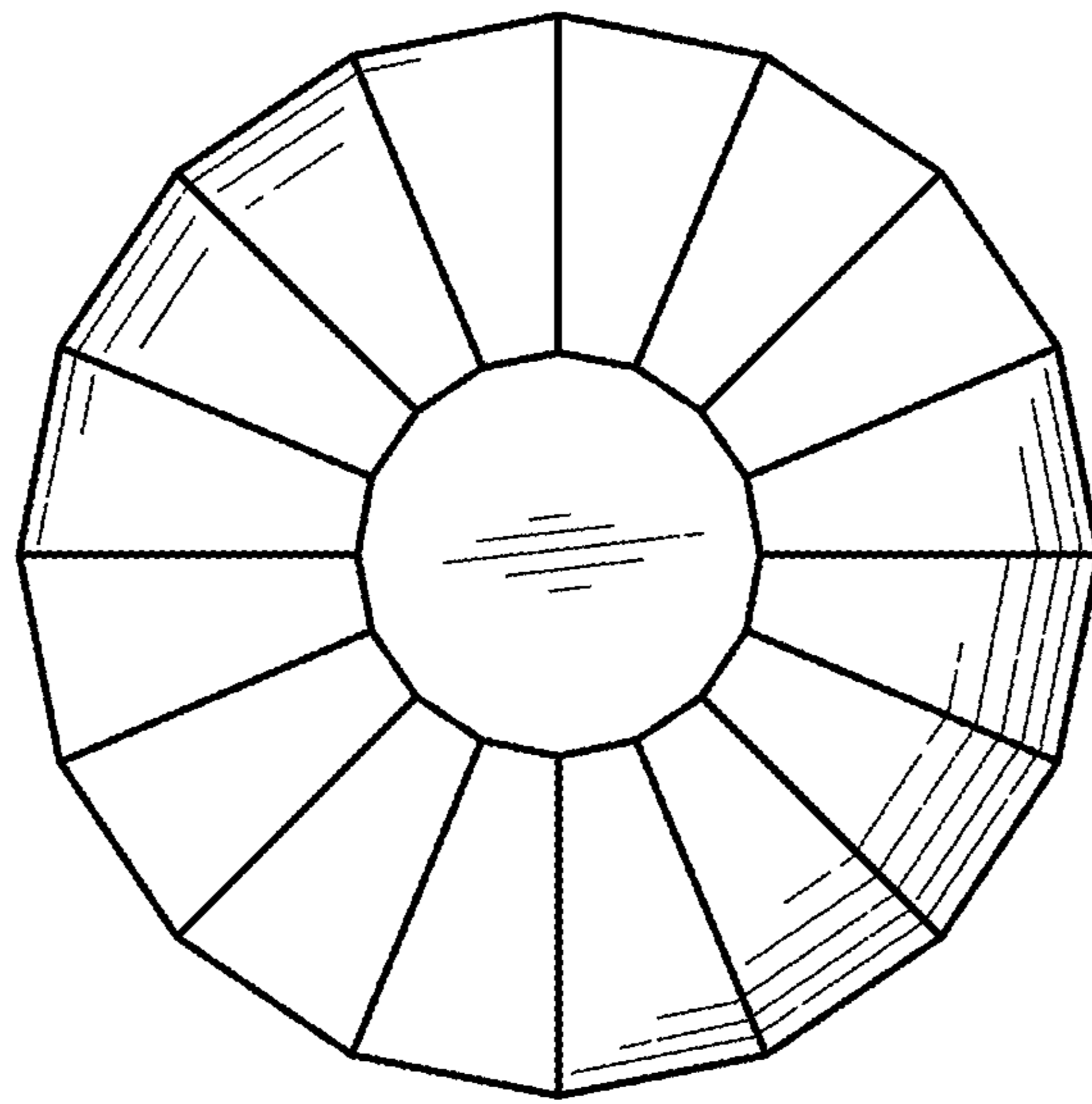


FIG.1.7