



US00D902424S

(12) **United States Design Patent** (10) **Patent No.:** **US D902,424 S**
Geddes (45) **Date of Patent:** **** *Nov. 17, 2020**

- (54) **MASSAGING ROLLER**
- (71) Applicant: **James Bradley Geddes**, Orem, UT (US)
- (72) Inventor: **James Bradley Geddes**, Orem, UT (US)
- (*) Notice: This patent is subject to a terminal disclaimer.
- (**) Term: **15 Years**
- (21) Appl. No.: **29/625,073**
- (22) Filed: **Nov. 7, 2017**
- (51) **LOC (12) Cl.** **28-03**
- (52) **U.S. Cl.**
USPC **D24/215**
- (58) **Field of Classification Search**
USPC D24/200, 211, 212, 213, 214, 215;
601/19, 22, 46, 52, 63, 80, 99, 104,
601/110-114, 118-120, 125, 134, 151,
601/152, DIG. 12, DIG. 14, DIG. 15,
601/DIG. 16, DIG. 17; D30/136
CPC A61H 1/00; A61H 1/001; A61H 1/0237;
A61H 2015/0007; A61H 2015/0014;
A61H 2015/0042; A61H 2015/0064;
A61H 15/00; A61H 2011/005; A61H
19/44; A61H 19/50; A61H 21/00; A61H
37/00
See application file for complete search history.

(56) **References Cited**

U.S. PATENT DOCUMENTS

- 1,616,065 A * 2/1927 Rosenquist A61H 1/001
601/115
- 1,978,244 A * 10/1934 Bach A63B 23/10
606/237
- D101,862 S * 11/1936 Fehn et al. D24/212
- D228,967 S * 10/1973 Holladay D24/212

- 3,970,078 A 7/1976 Rogers, Jr.
- 4,167,940 A * 9/1979 Ruf A61H 15/00
601/122
- D299,862 S * 2/1989 Norrid D24/211
- 4,989,585 A 2/1991 Auker
- D360,696 S * 7/1995 Chien-Chung D24/212
- D393,720 S * 4/1998 Chien D24/212
- D405,887 S * 2/1999 Antoskow D24/211
- D405,888 S * 2/1999 Antoskow D24/211

(Continued)

Primary Examiner — Sandra Snapp

(74) *Attorney, Agent, or Firm* — Warren M. Pate; Pate Peterson, PLLC

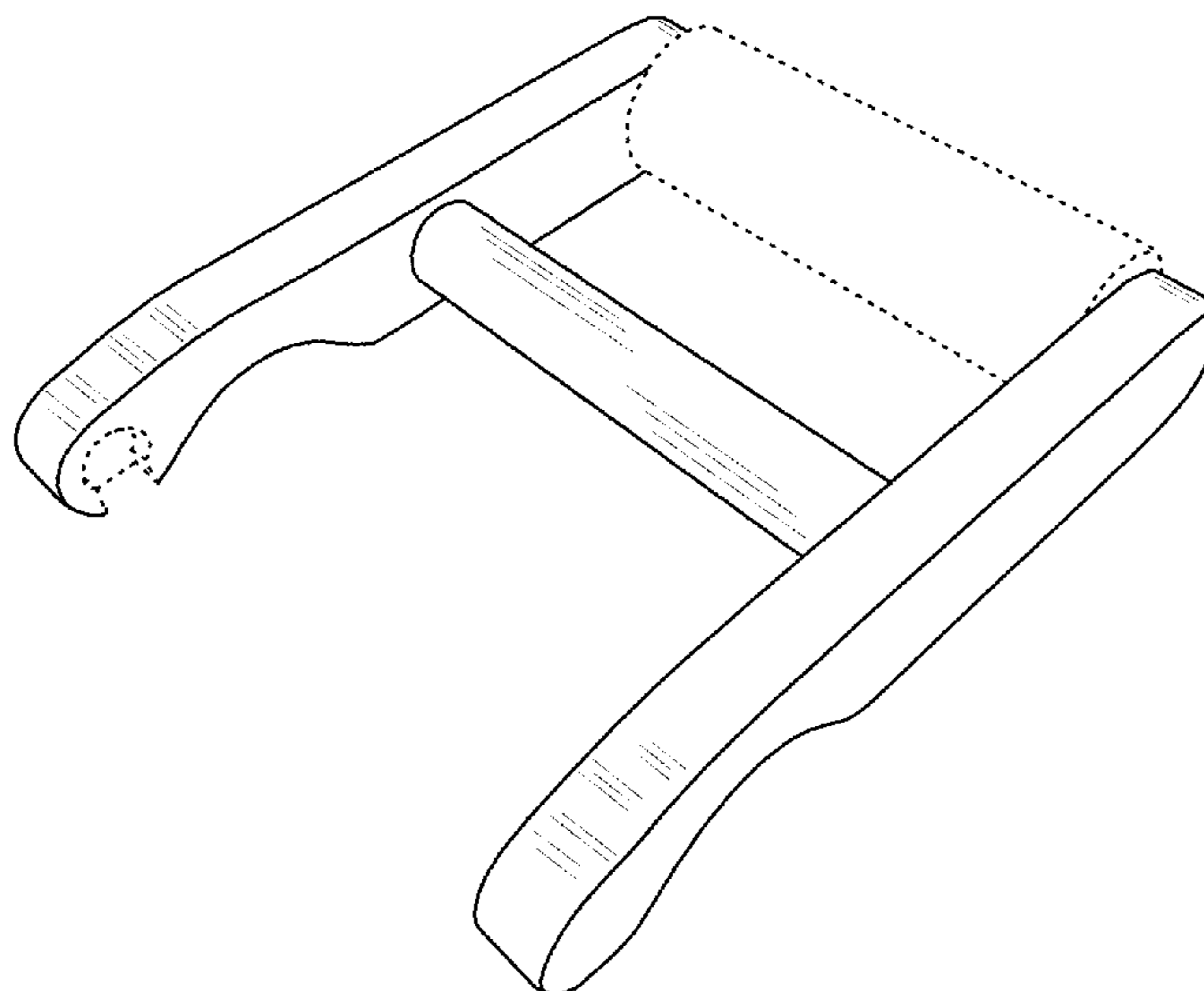
(57) **CLAIM**

The ornamental design for a massaging roller, as shown and described.

DESCRIPTION

FIG. 1 is a first perspective view of a massaging roller in accordance with my new design;
 FIG. 2 is a first side view thereof;
 FIG. 3 is a second side view thereof;
 FIG. 4 is a first end view thereof;
 FIG. 5 is a second end view thereof;
 FIG. 6 is a top view thereof;
 FIG. 7 is a bottom view thereof;
 FIG. 8 is a second perspective view thereof, wherein the massaging roller in accordance with my new design is combined with other components to form a first assembled unit; and,
 FIG. 9 is a third perspective view thereof, wherein the massaging roller in accordance with my new design is combined with other components to form a second assembled unit that is held for use by a human user thereof. The broken lines showing a hand of a human user grasping the massaging roller in FIG. 9 represent the environment of use and form no part of the claimed design. The remaining broken lines shown in FIGS. 1-9 depict portions of the massaging roller and form no part of the claimed design.

1 Claim, 6 Drawing Sheets



(56)

References Cited

U.S. PATENT DOCUMENTS

D408,081	S *	4/1999	Chen	D24/211
6,033,372	A	3/2000	Tarbet et al.	
6,066,079	A	5/2000	McDaniel	
D508,097	S *	8/2005	Perez	D21/662
D527,830	S *	9/2006	Chien	D24/211
7,303,507	B1	12/2007	Jozsa	
7,461,645	B2	12/2008	Williamson et al.	
7,506,642	B2	3/2009	Edwards	
D612,946	S *	3/2010	Ferri	D24/200
D712,987	S *	9/2014	Salzedo	D21/662
9,693,929	B2	7/2017	Faussett	
D807,521	S *	1/2018	Wayman	D24/200
D808,539	S *	1/2018	Kleiman	D24/214
D812,234	S *	3/2018	Miller	D24/188
D843,516	S *	3/2019	Allison	D21/688
2009/0112137	A1 *	4/2009	Lamore	A63B 21/0004
				601/112
2017/0231862	A1 *	8/2017	Olschansky	A61H 15/0092
				601/128

* cited by examiner

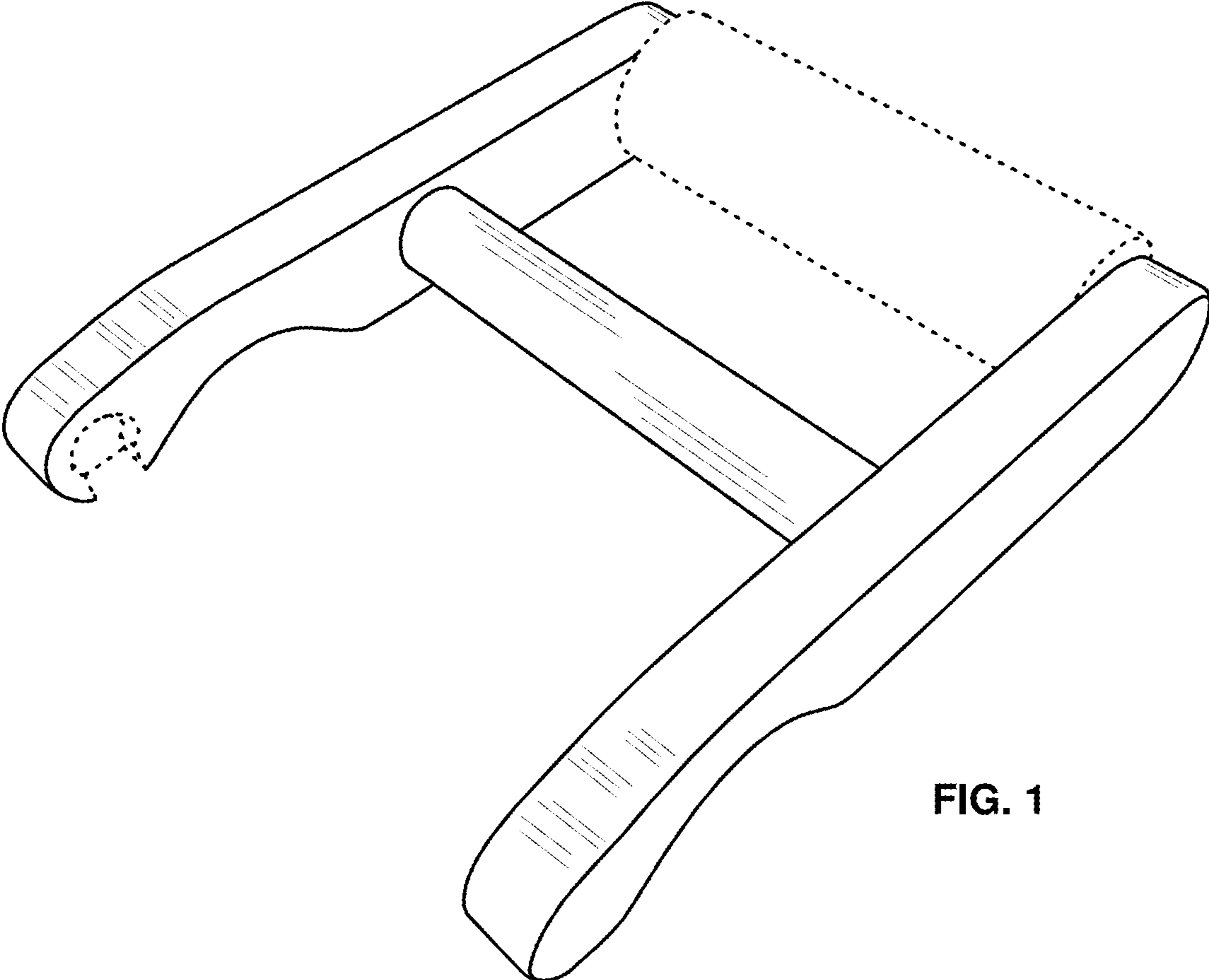


FIG. 1

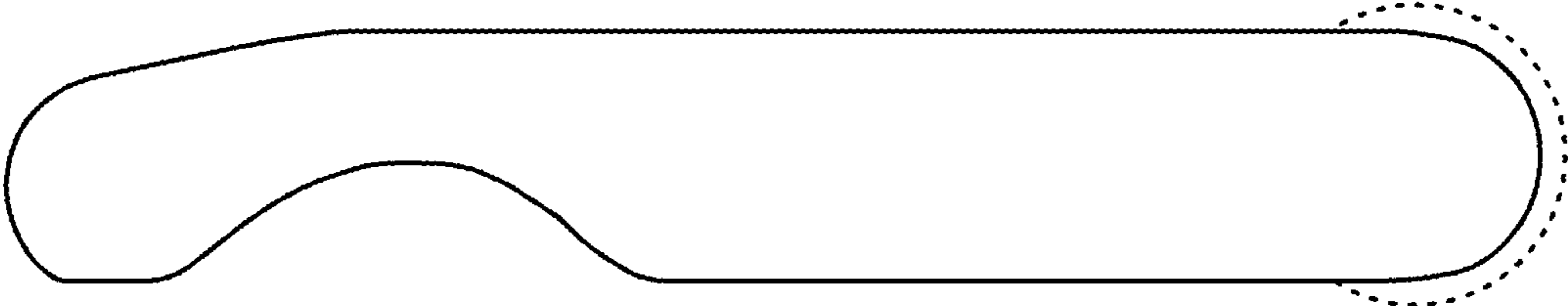


FIG. 2

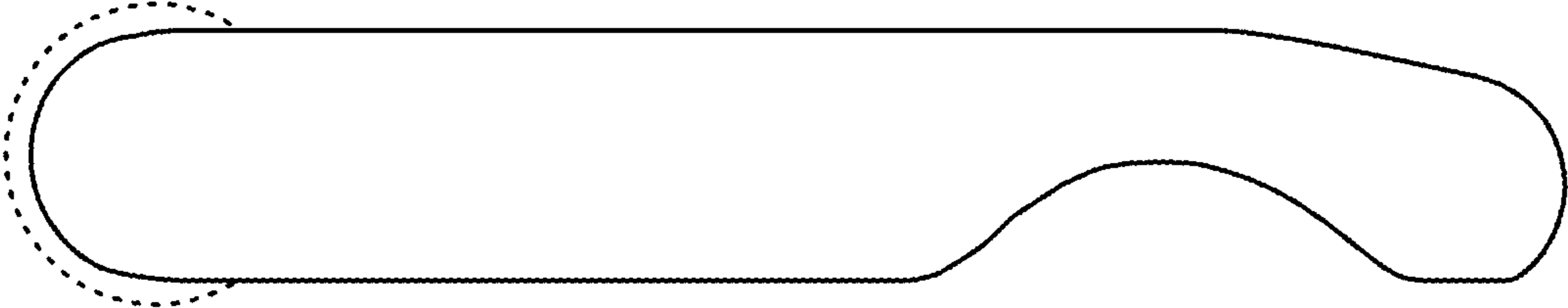


FIG. 3



FIG. 4

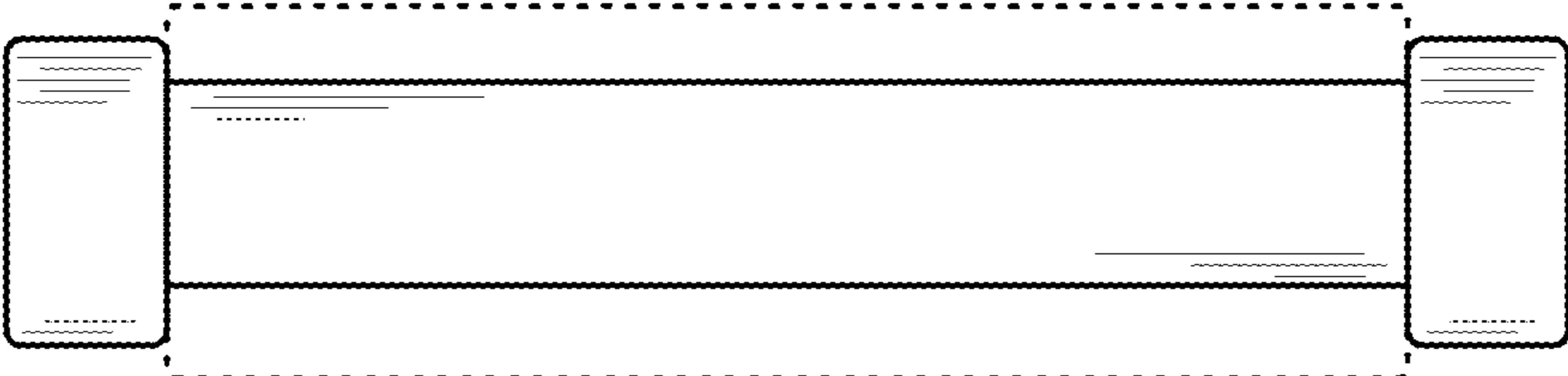


FIG. 5

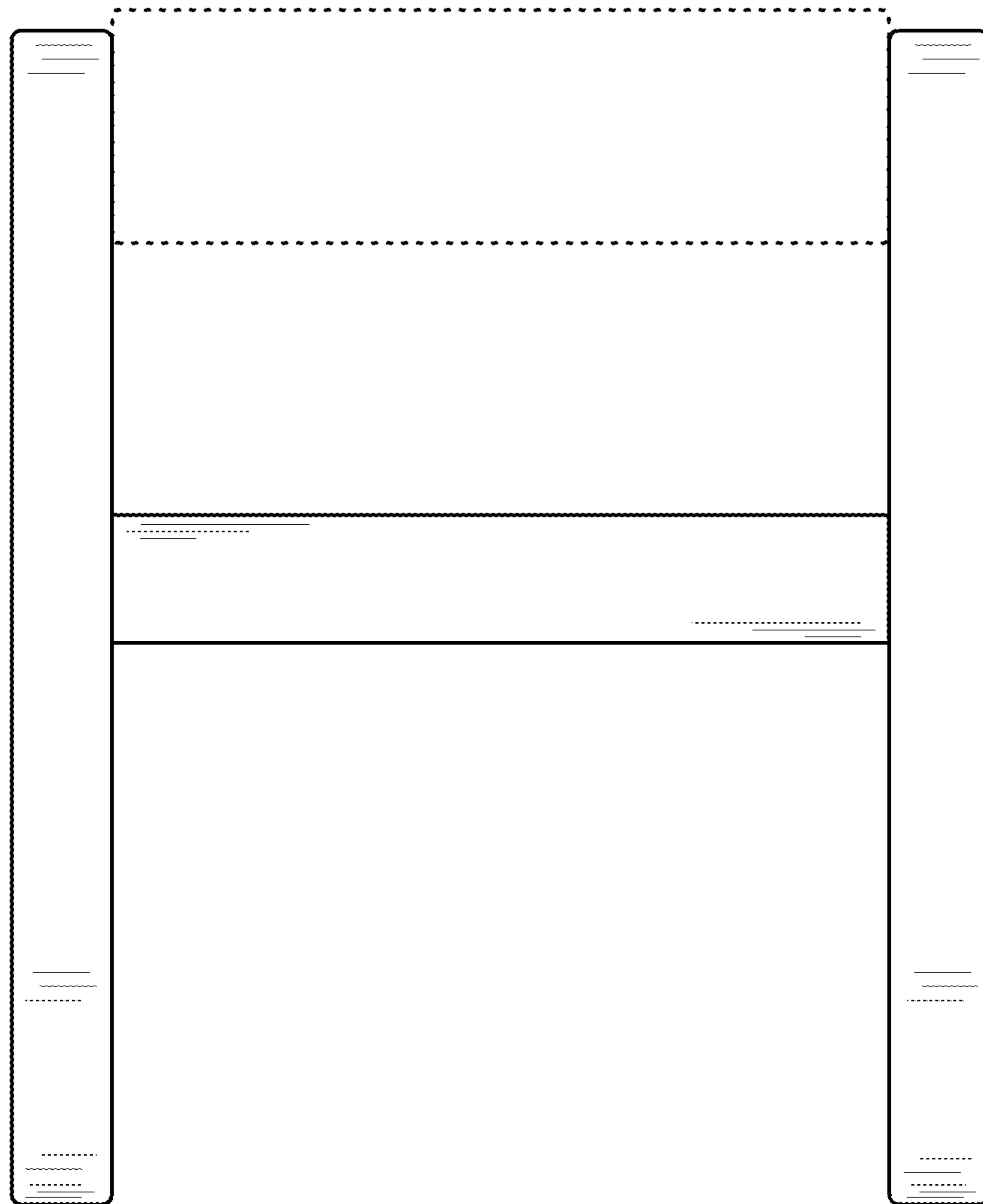


FIG. 6

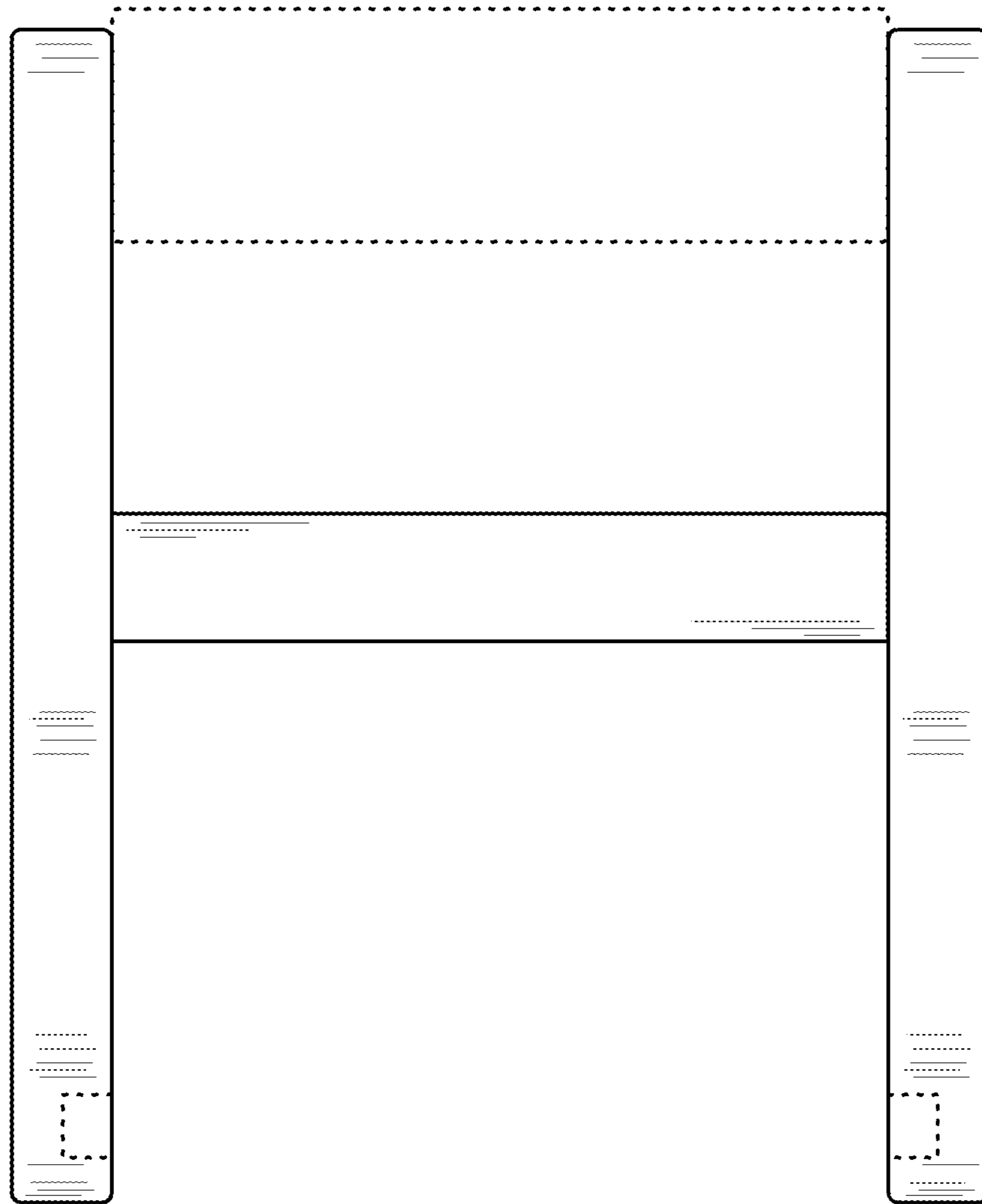


FIG. 7

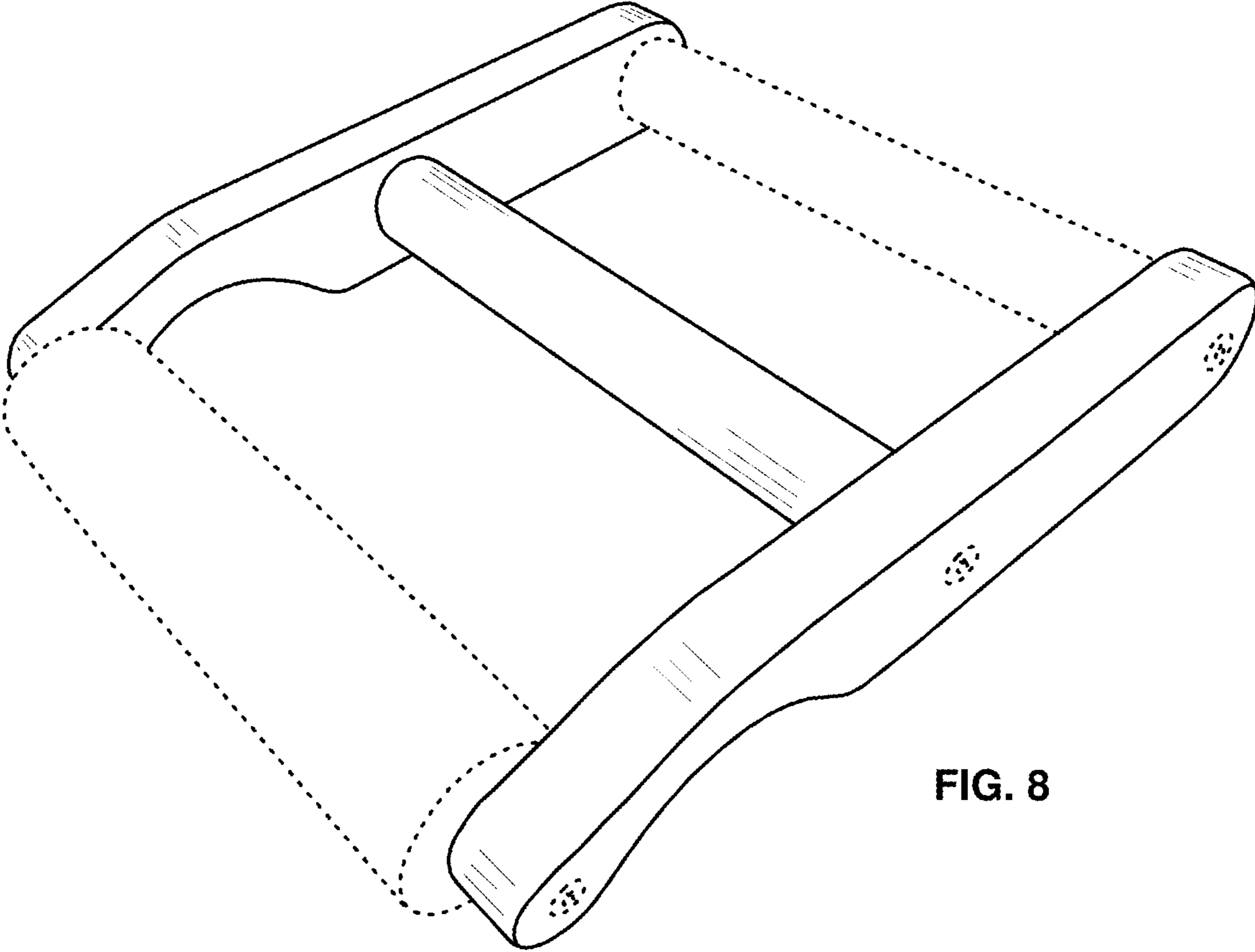


FIG. 8

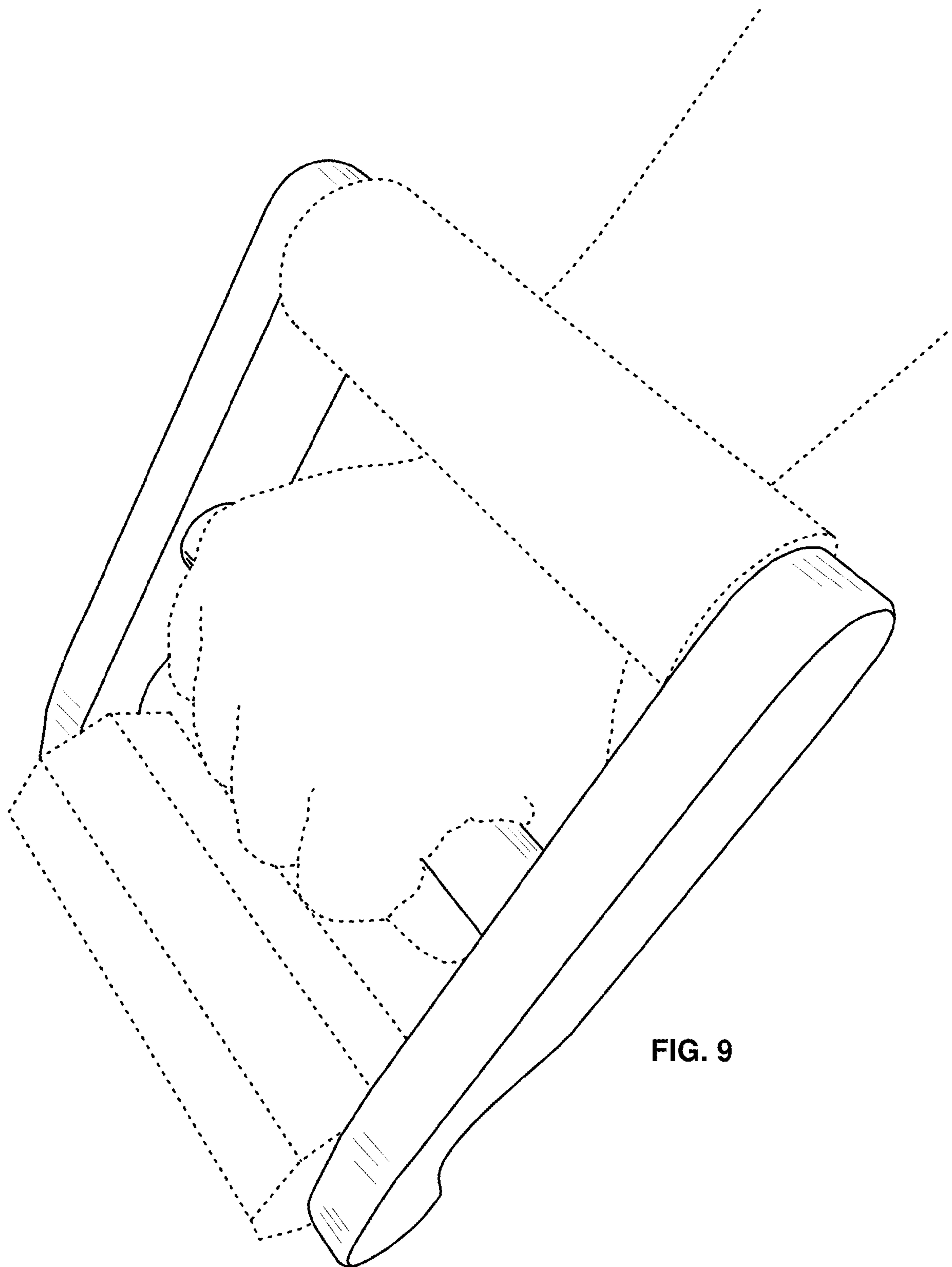


FIG. 9