



US00D902423S

(12) **United States Design Patent** (10) **Patent No.:** **US D902,423 S**
Geddes (45) **Date of Patent:** **** Nov. 17, 2020**

(54) **MASSAGING ROLLER**
(71) Applicant: **James Bradley Geddes**, Orem, UT
(US)
(72) Inventor: **James Bradley Geddes**, Orem, UT
(US)
(**) Term: **15 Years**

4,989,585 A	2/1991	Auker	
D360,696 S *	7/1995	Chien-Chung	D24/212
D393,720 S *	4/1998	Chien	D24/212
D405,887 S *	2/1999	Antoskow	D24/211
D405,888 S *	2/1999	Antoskow	D24/211
D408,081 S *	4/1999	Chen	D24/211
6,033,372 A	3/2000	Tarbet et al.	
6,066,079 A	5/2000	McDaniel	
D452,572 S *	12/2001	Nakamura	D24/200
D508,097 S *	8/2005	Perez	D21/662
D527,830 S *	9/2006	Chien	D24/211

(Continued)

(21) Appl. No.: **29/625,071**
(22) Filed: **Nov. 7, 2017**
(51) **LOC (12) Cl.** **28-03**
(52) **U.S. Cl.**
USPC **D24/215**
(58) **Field of Classification Search**
USPC D24/200, 211, 212, 213, 214, 215;
601/19, 22, 46, 52, 63, 80, 99, 104,
601/110-114, 118-120, 125, 134, 151,
601/152, DIG. 12, DIG. 14, DIG. 15,
601/DIG. 16, DIG. 17; D30/136
CPC A61H 1/00; A61H 1/001; A61H 1/0237;
A61H 2015/0007; A61H 2015/0014;
A61H 2015/0042; A61H 2015/0064;
A61H 15/00; A61H 2011/005; A61H
19/44; A61H 19/50; A61H 21/00; A61H
37/00
See application file for complete search history.

Primary Examiner — Sandra Snapp
(74) Attorney, Agent, or Firm — Warren M. Pate; Pate
Peterson, PLLC

(57) **CLAIM**

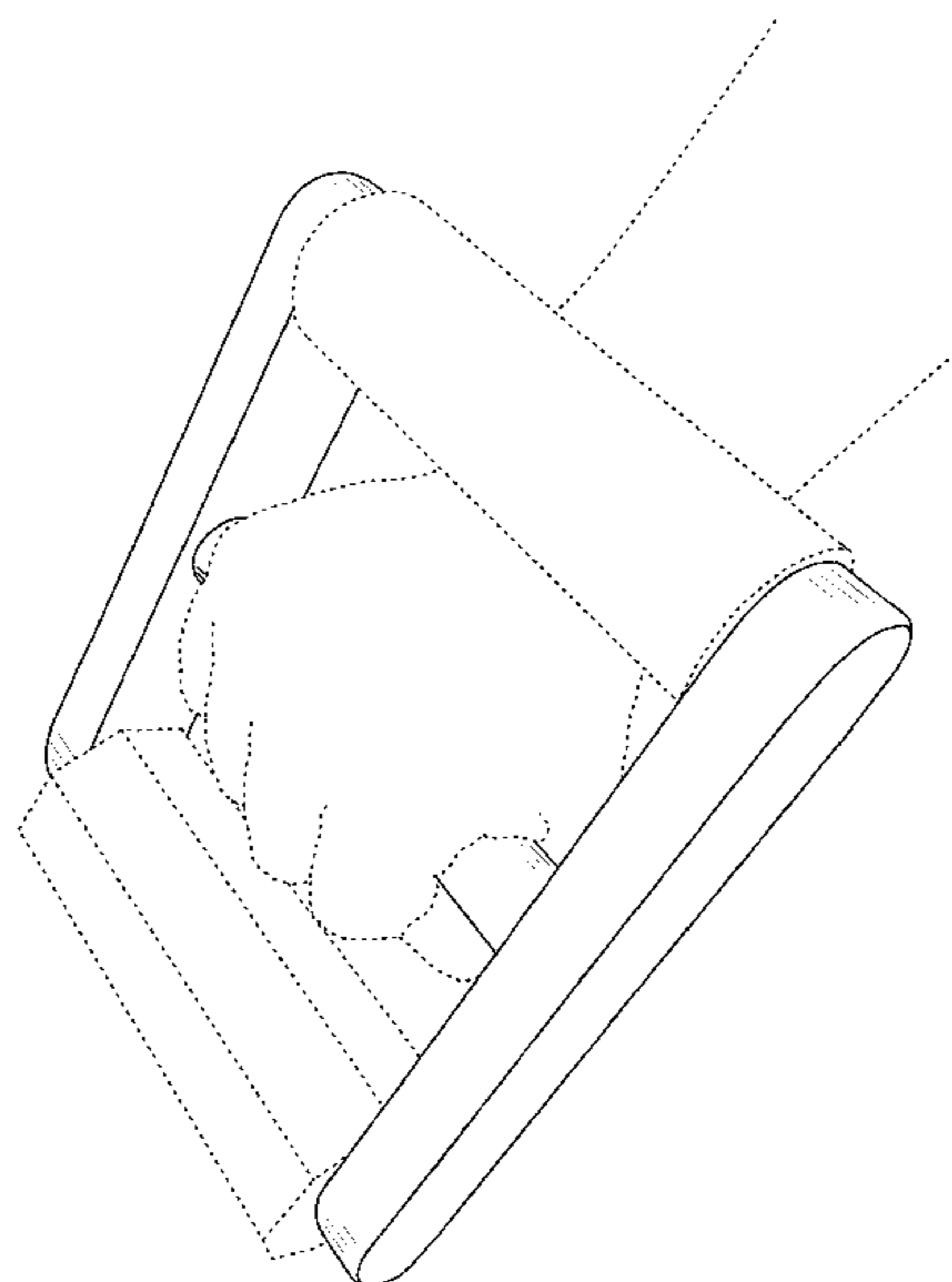
The ornamental design for a massaging roller, as shown and described.

DESCRIPTION

FIG. 1 is a first perspective view of a massaging roller in accordance with my new design;
FIG. 2 is a first side view thereof;
FIG. 3 is a second side view thereof;
FIG. 4 is a first end view thereof;
FIG. 5 is a second end view thereof;
FIG. 6 is a top view thereof;
FIG. 7 is a bottom view thereof; and,
FIG. 8 is a second perspective view thereof, wherein the Massaging Roller in accordance with my new design is combined with a different massage component to form an assembled unit that is held for use by a human user thereof. The broken lines showing a hand of a human user grasping the massaging roller in FIG. 8 represent the environment of use and form no part of the claimed design. The remaining broken lines shown in FIGS. 1-8 depict portions of the massaging roller and form no part of the claimed design.

(56) **References Cited**
U.S. PATENT DOCUMENTS
1,616,065 A * 2/1927 Rosenquist A61H 1/001
601/115
1,978,244 A * 10/1934 Bach A63B 23/10
606/237
D101,862 S * 11/1936 Fehn et al. D24/212
D228,967 S * 10/1973 Holladay D24/212
3,970,078 A * 7/1976 Rogers, Jr.
4,167,940 A * 9/1979 Ruf A61H 15/00
601/122
D299,862 S * 2/1989 Norrid D24/211

1 Claim, 6 Drawing Sheets



(56)

References Cited

U.S. PATENT DOCUMENTS

7,303,507	B1	12/2007	Jozsa	
7,461,645	B2	12/2008	Williamson et al.	
7,506,642	B2	3/2009	Edwards	
D612,946	S *	3/2010	Ferri	D24/200
D712,987	S *	9/2014	Salzedo	D21/662
9,693,929	B2	7/2017	Faussett	
D807,521	S *	1/2018	Wayman	D24/200
D808,539	S *	1/2018	Kleiman	D24/214
D812,234	S *	3/2018	Miller	D24/188
D843,516	S *	3/2019	Allison	D21/688
2009/0112137	A1 *	4/2009	Lamore	A63B 21/0004 601/112
2017/0231862	A1 *	8/2017	Olschansky	A61H 15/0092 601/128

* cited by examiner

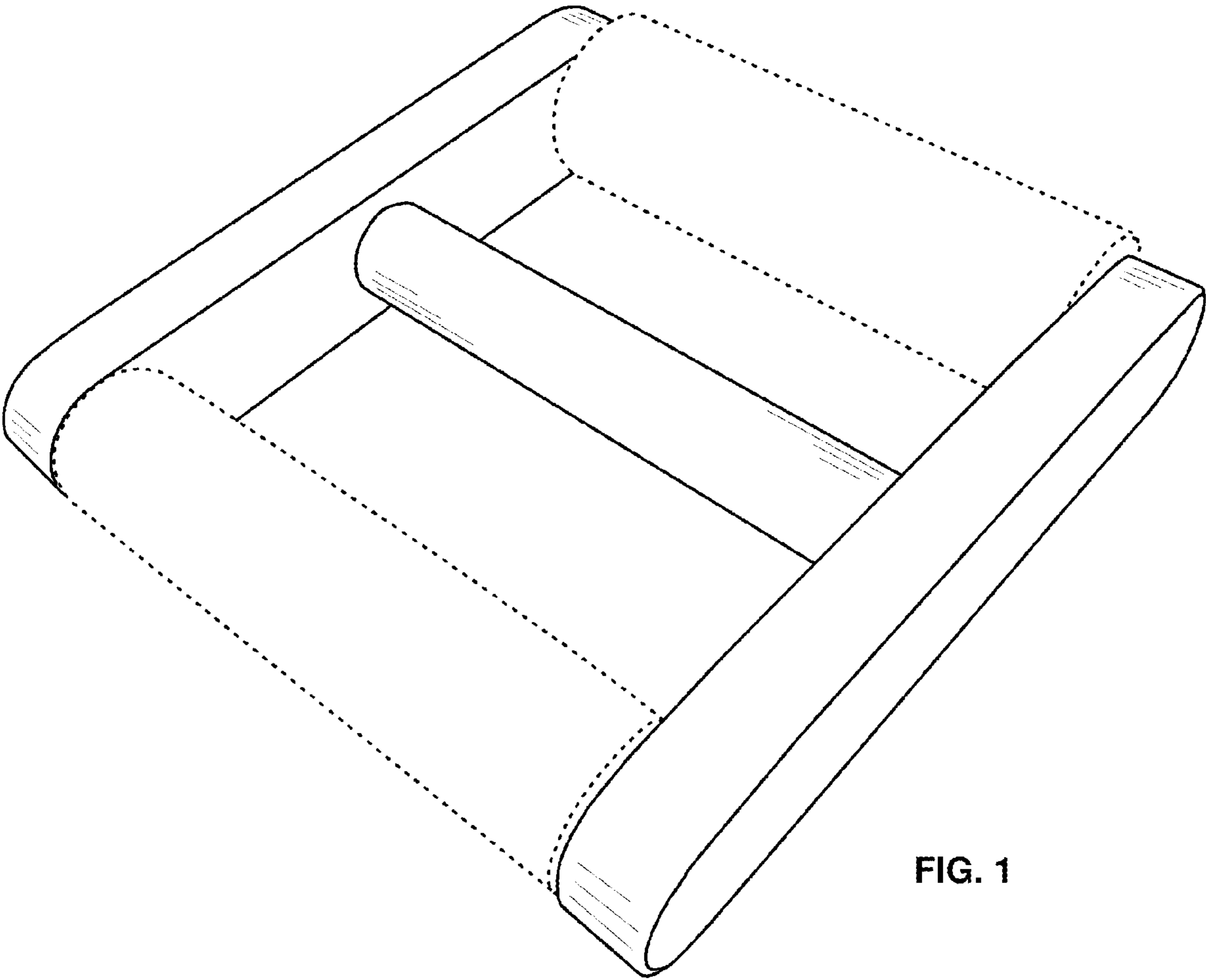


FIG. 1

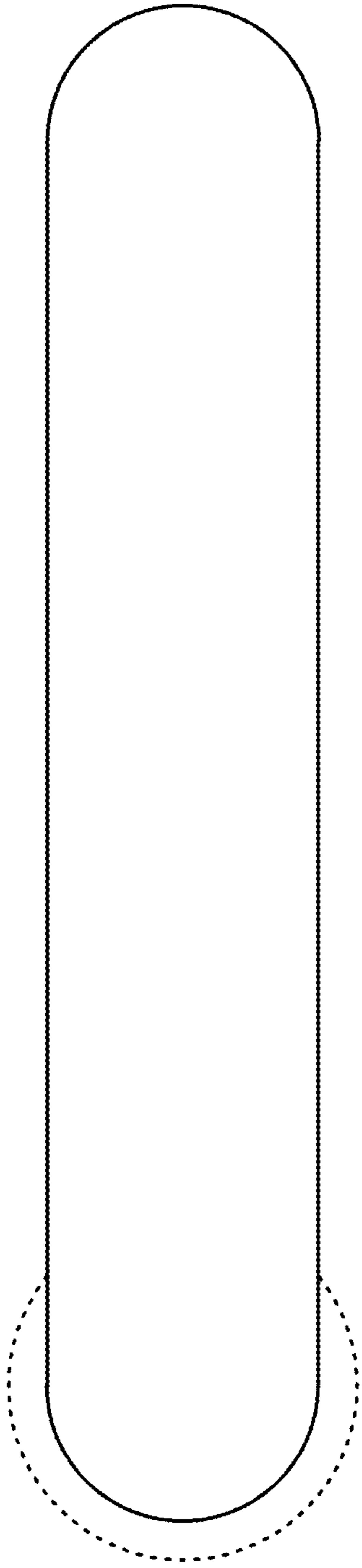


FIG. 2

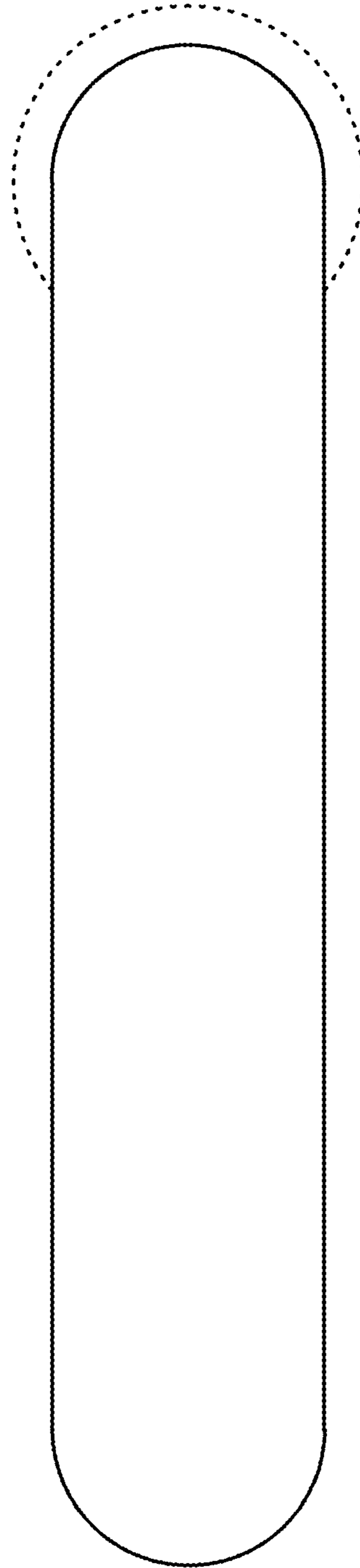


FIG. 3



FIG. 4

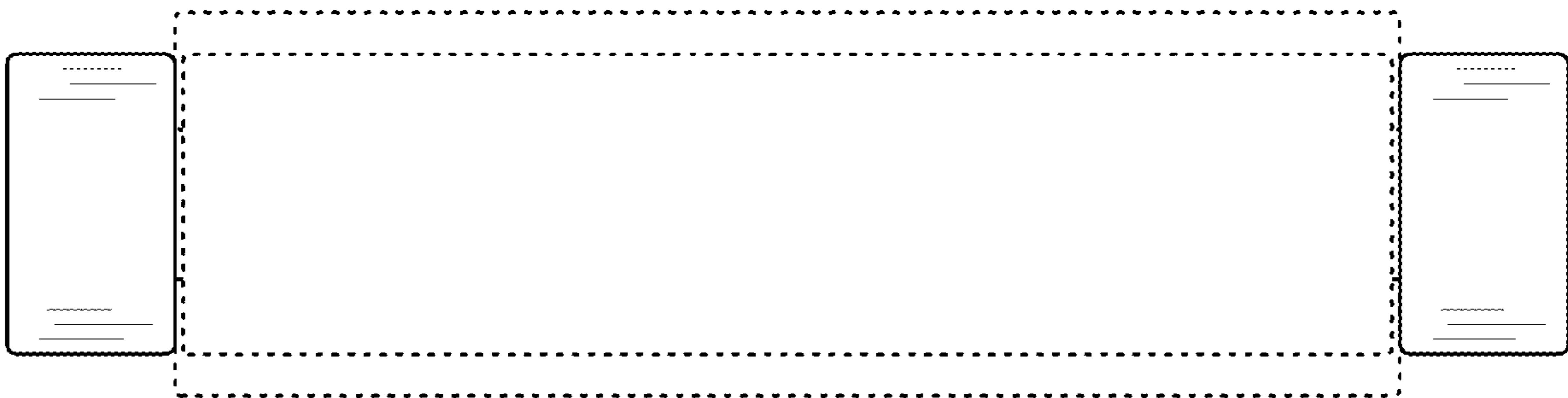


FIG. 5

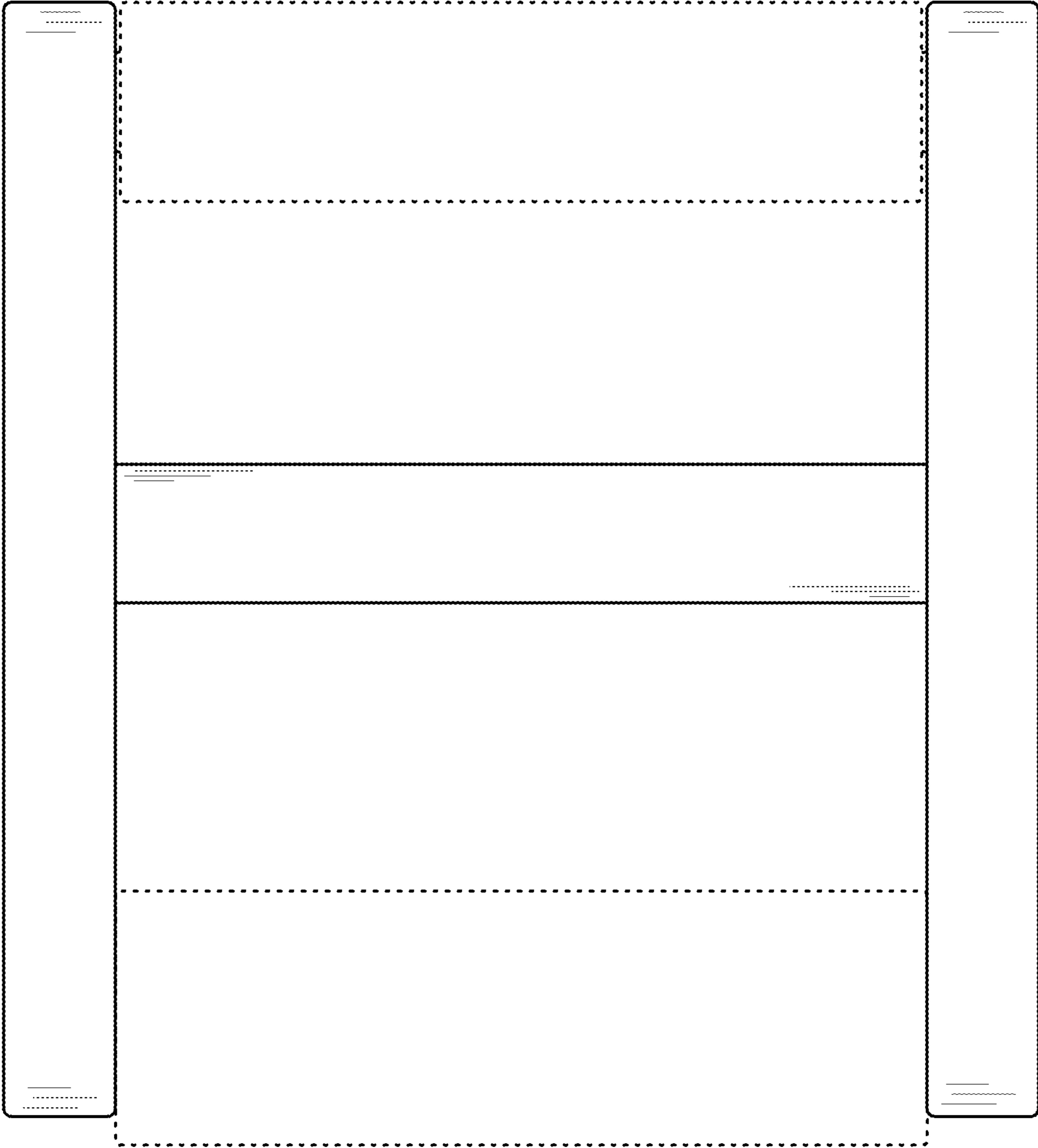


FIG. 6

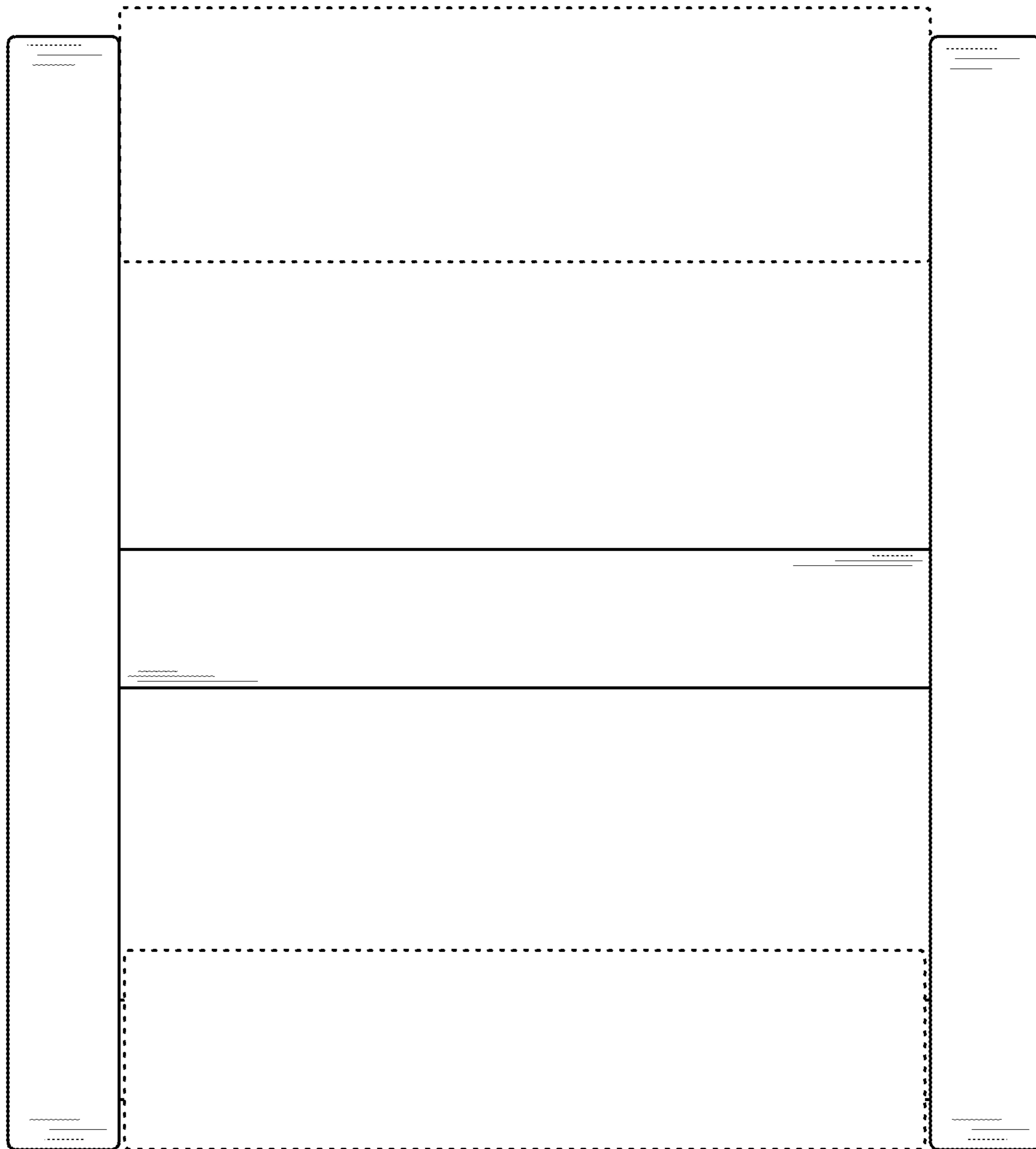


FIG. 7

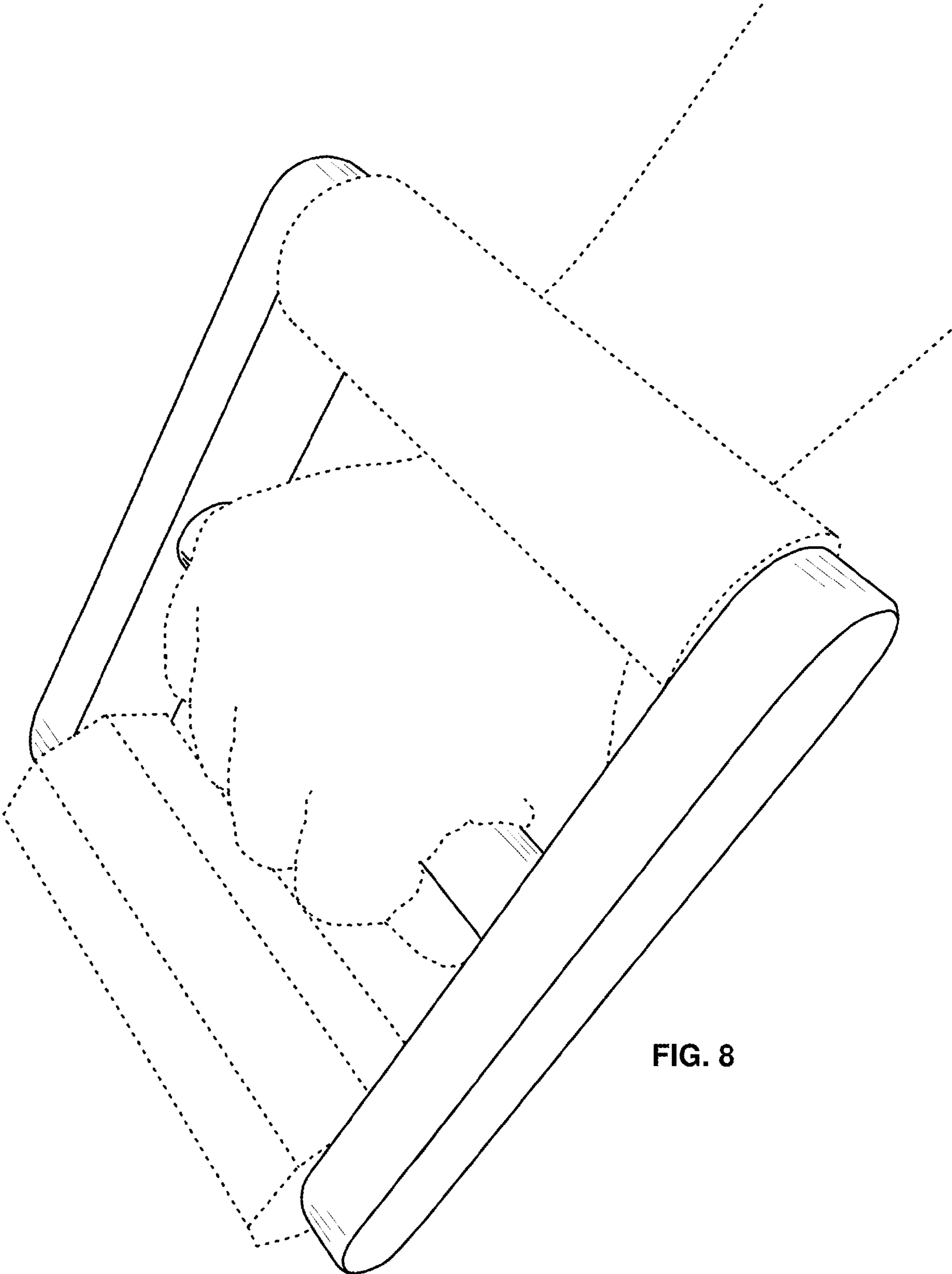


FIG. 8