



US00D902421S

(12) **United States Design Patent** (10) **Patent No.:** **US D902,421 S**
Kim (45) **Date of Patent:** **** Nov. 17, 2020**

(54) **MESSAGE ROLLER**
(71) Applicants: **Medsapiens Co., LTD.**, Hanam-si (KR); **Hee Soo Kim**, Hanam-si (KR)
(72) Inventor: **Hee Soo Kim**, Hanam-si (KR)
(73) Assignees: **Medsapiens Co., LTD.**, Hanam-si (KR); **Hee Soo Kim**, Hanam-si (KR)
(**) Term: **15 Years**
(21) Appl. No.: **29/691,901**
(22) Filed: **May 21, 2019**

(30) **Foreign Application Priority Data**

May 8, 2019 (KR) 30-2019-0021511

(51) **LOC (12) Cl.** **28-03**
(52) **U.S. Cl.**
USPC **D24/211**
(58) **Field of Classification Search**
USPC D24/200, 211, 212, 213, 214, 215;
D30/160; D12/114, 178; D8/303
CPC . A61H 2015/0014; A61H 15/00; A61H 39/04
See application file for complete search history.

(56) **References Cited**

U.S. PATENT DOCUMENTS

D248,493 S * 7/1978 Moncrief 601/120
D253,373 S * 11/1979 Celeste 601/121
D279,406 S * 6/1985 Shiu D24/211
D333,937 S * 3/1993 Prosser D30/160
D344,161 S * 2/1994 Markham D30/160
D448,646 S * 10/2001 Sargentelli D8/303
D654,970 S * 2/2012 Daves D21/662
D688,384 S * 8/2013 Ateya Soliman D24/215
D689,155 S * 9/2013 Jahns D21/692
D693,934 S * 11/2013 Lin D24/215
D698,453 S * 1/2014 Tai D24/215
D713,050 S * 9/2014 Kao A61H 15/00
D24/211
D734,480 S * 7/2015 Jones D24/211

D764,066 S * 8/2016 Somjee D24/211
9,463,133 B2 * 10/2016 Rodgers A61H 7/00
D829,920 S * 10/2018 Carpinelli D24/211
D863,583 S * 10/2019 Carpinello D24/213
D876,657 S * 2/2020 Lin D24/211
10,561,923 B1 * 2/2020 Harvey A61H 15/00
D883,503 S * 5/2020 Pasquale D24/211
D886,314 S * 6/2020 Morris D24/211
D886,315 S * 6/2020 Hicken D24/211
2016/0279009 A1 * 9/2016 Somjee A61H 1/008
2017/0065482 A1 * 3/2017 Downare A61H 15/00
2018/0353370 A1 * 12/2018 Liao A61H 1/00
2019/0350799 A1 * 11/2019 Matossian A61H 1/00

OTHER PUBLICATIONS

Naver, "Roller", Jun. 26, 2020. <http://blog.naver.com/PostView.nhn?blogId=ish185&logNo=221885878503&categoryNo=0&parentCategoryNo=0&viewDate=¤tPage=1&postListTopCurrentPage=1&fronn=postView>. Shown on p. 1. (Year: 2020).*

* cited by examiner

Primary Examiner — Cynthia Ramirez
Assistant Examiner — Michael A Maharajh
(74) *Attorney, Agent, or Firm* — Revolution IP, PLLC

(57) **CLAIM**

The ornamental design for a massage roller, as shown and described.

DESCRIPTION

FIG. 1 is a perspective view of a massage roller showing the claimed design;
FIG. 2 is a front view thereof;
FIG. 3 is a rear view thereof;
FIG. 4 is a left side view thereof;
FIG. 5 is a right side view thereof;
FIG. 6 is a top view thereof; and,
FIG. 7 is a bottom view thereof.

1 Claim, 4 Drawing Sheets

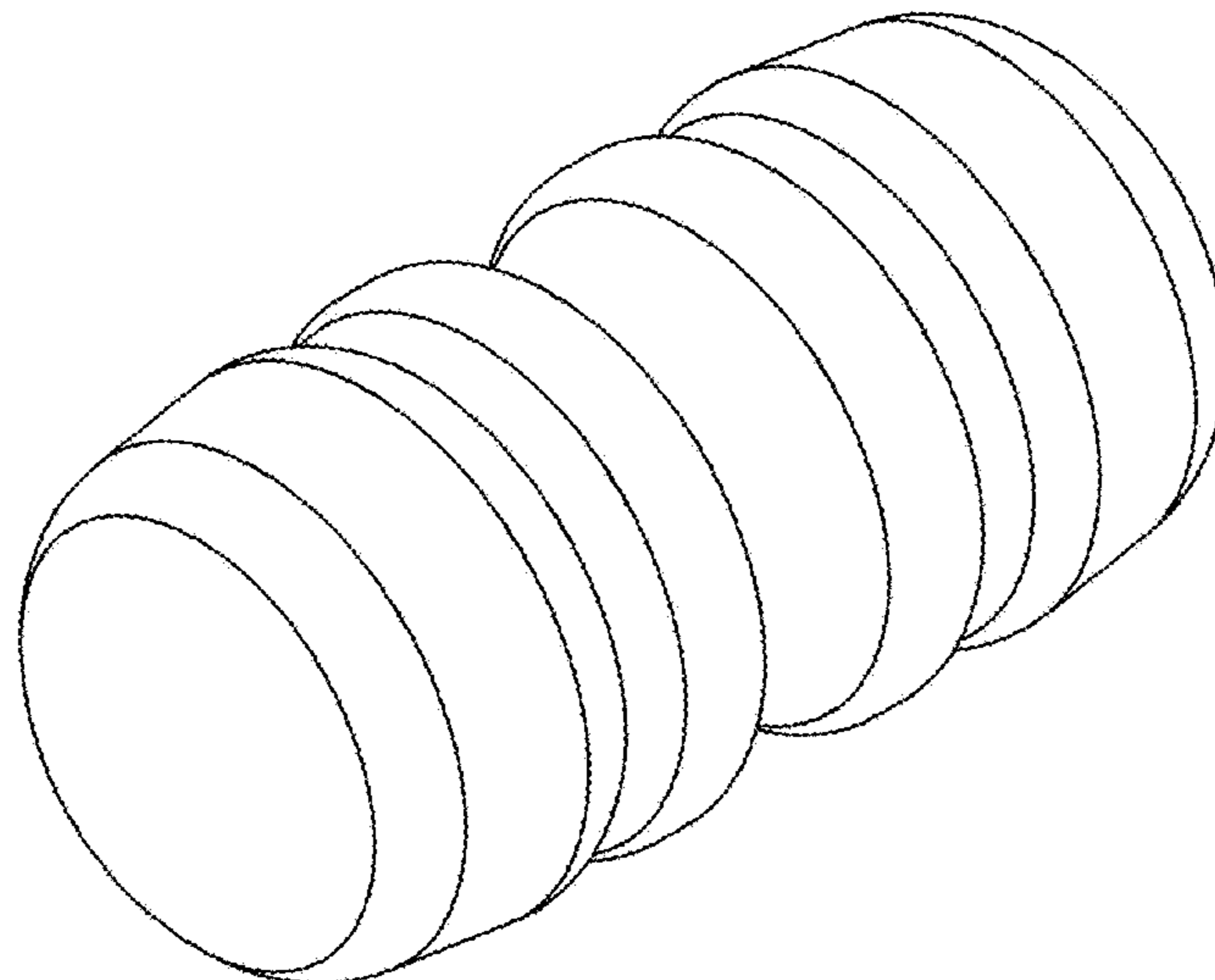


FIG. 1

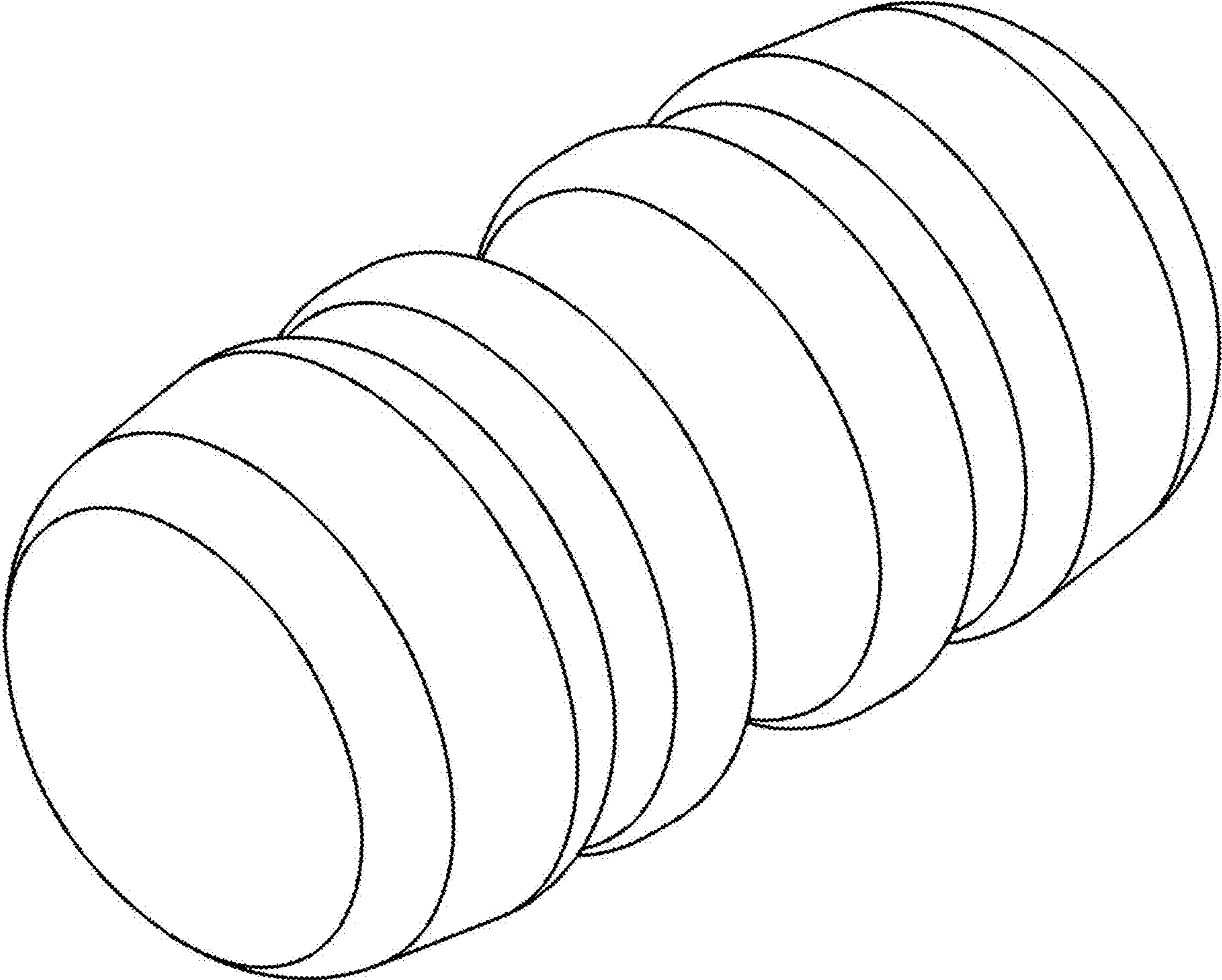


FIG. 2

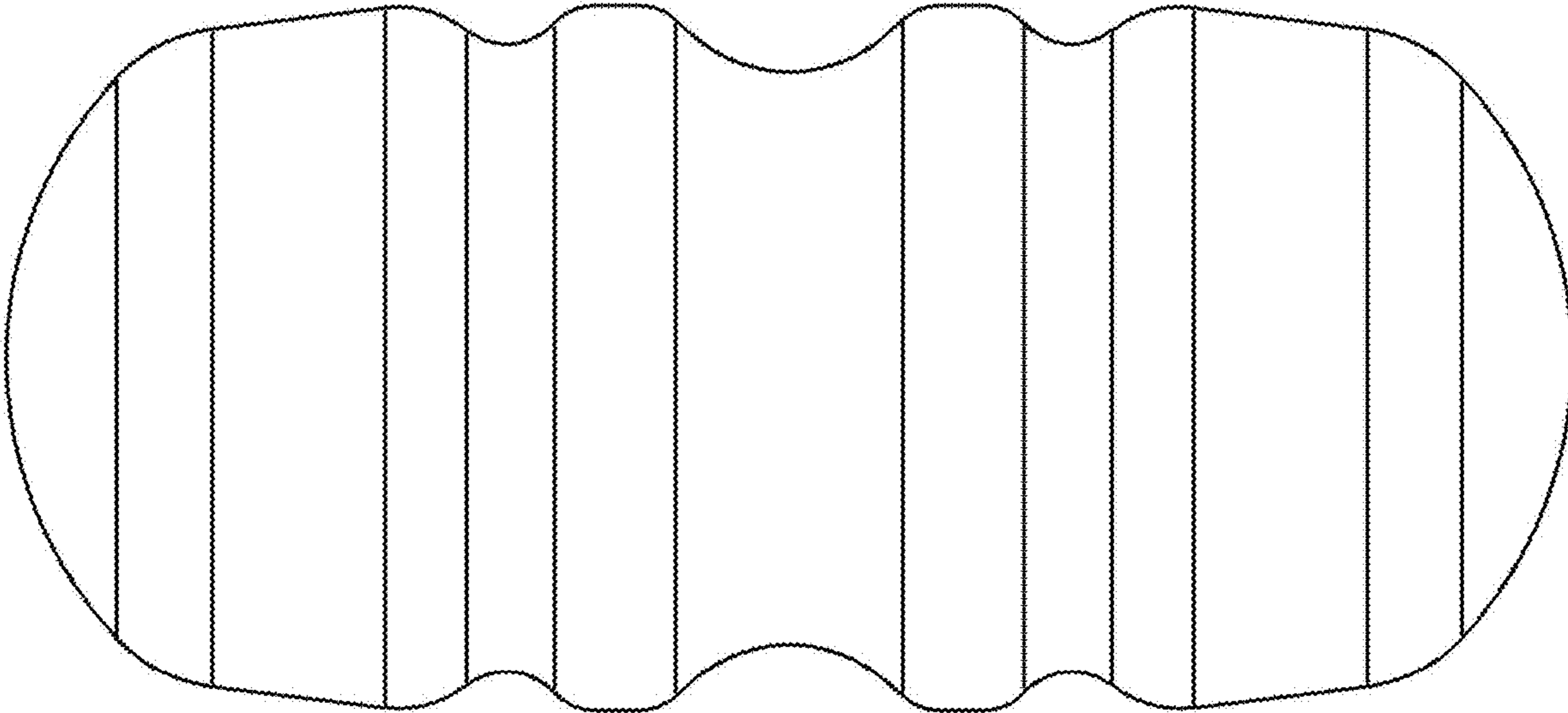


FIG. 3

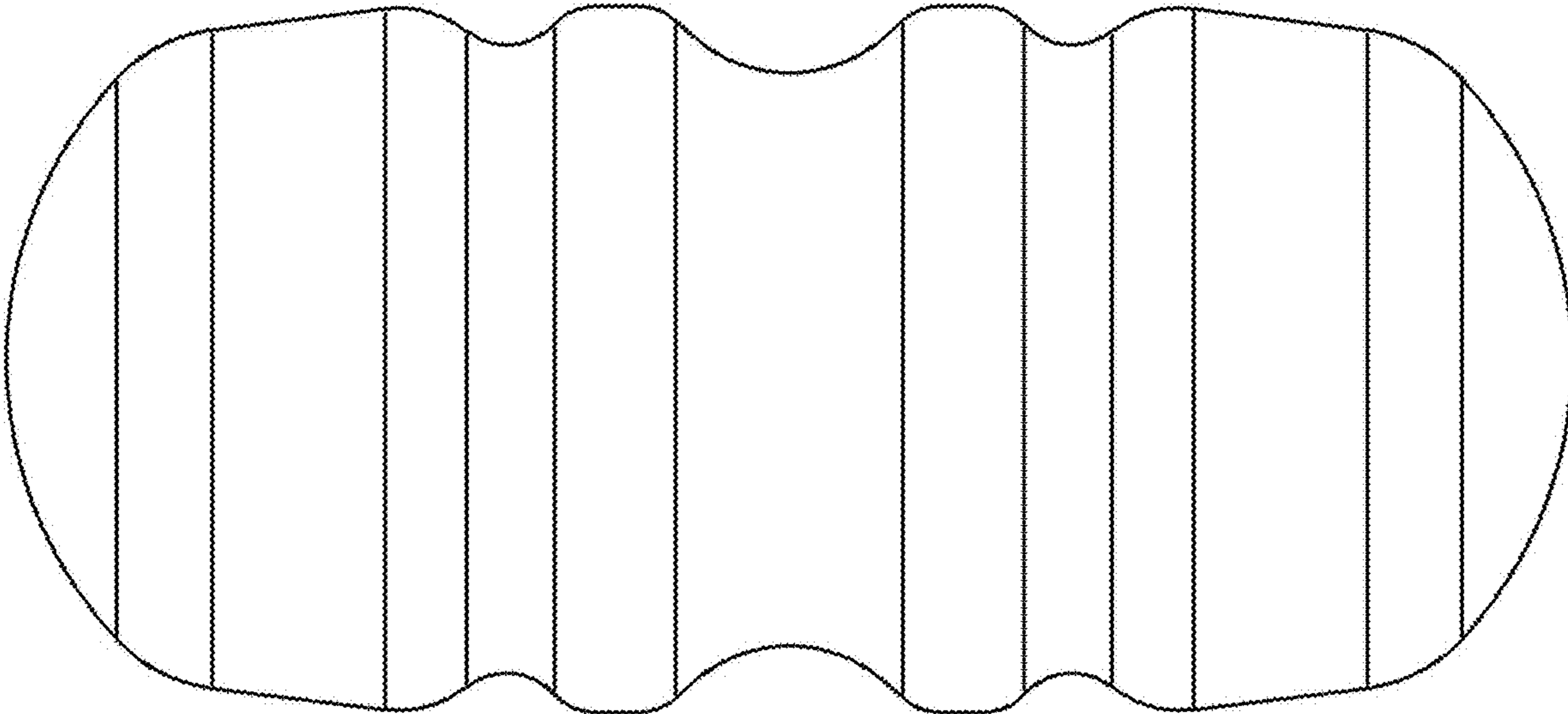


FIG. 4

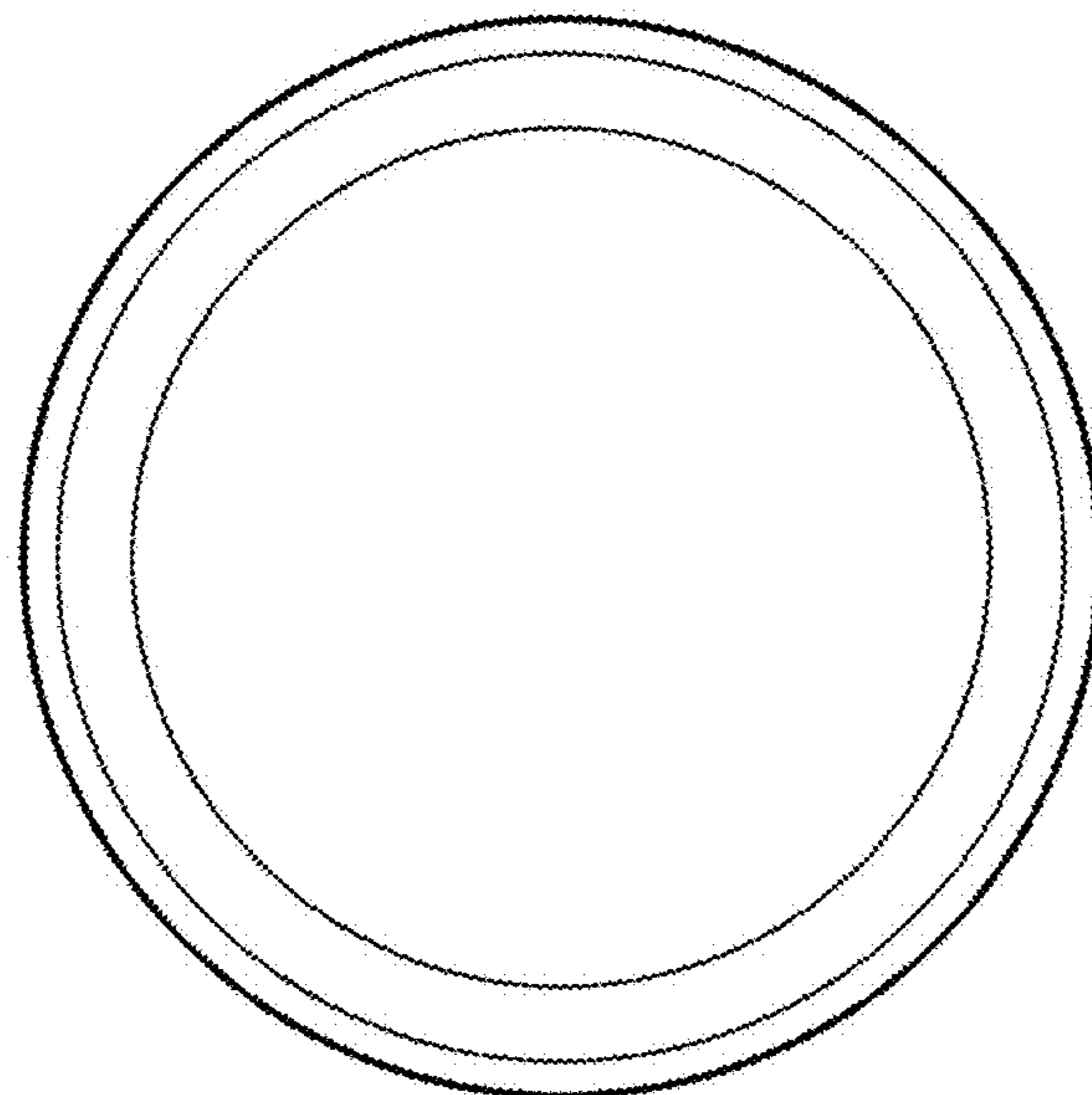


FIG. 5

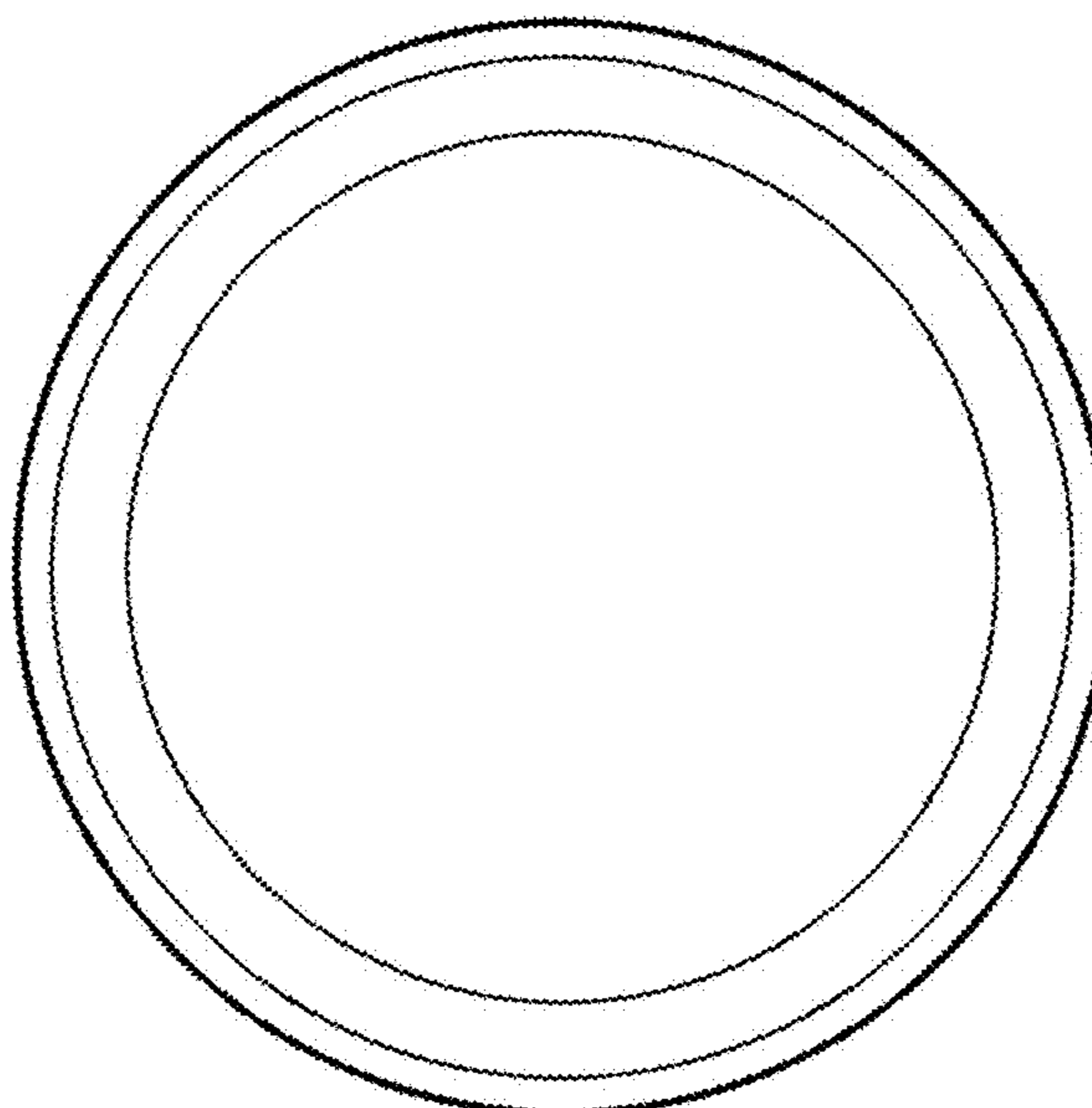


FIG. 6

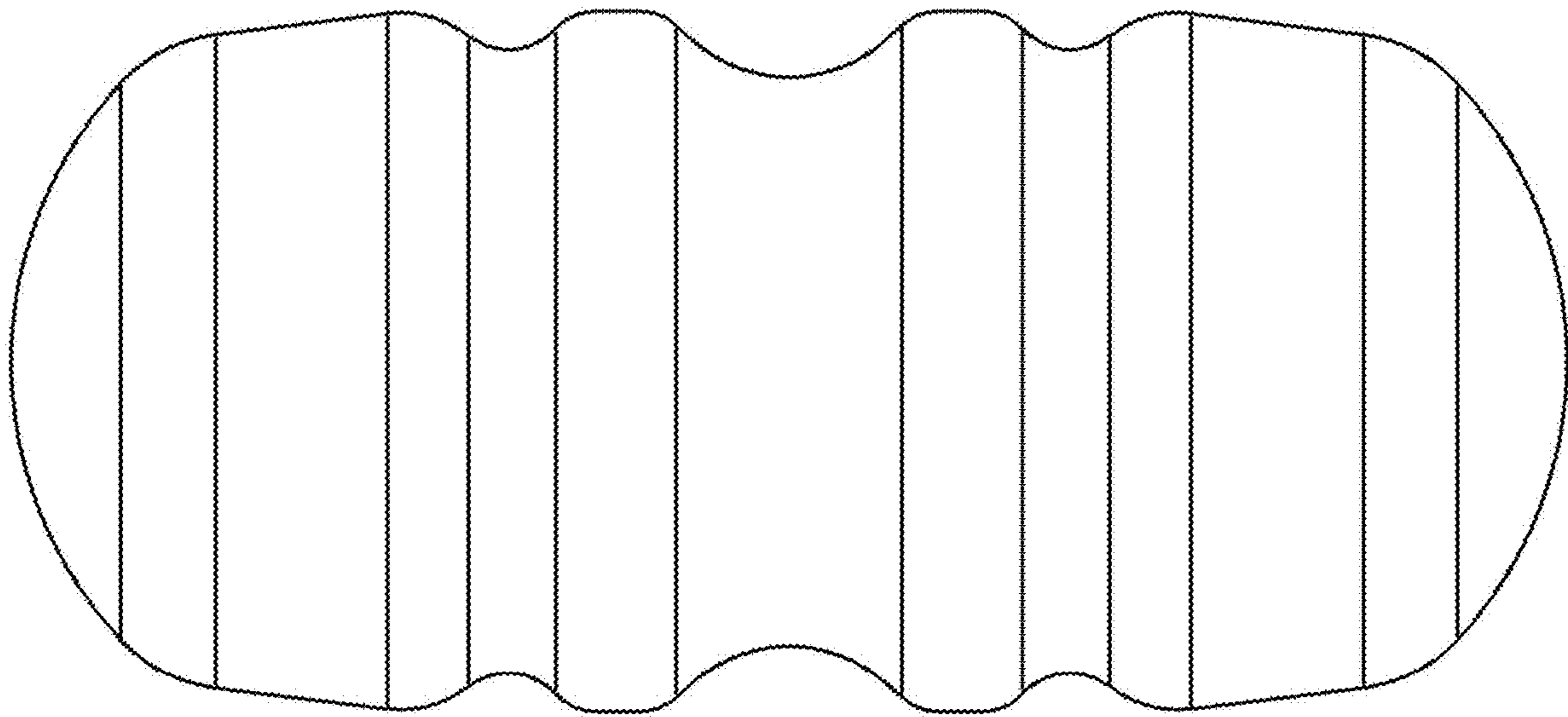


FIG. 7

