



US00D902418S

(12) **United States Design Patent**  
**Goulborne**

(10) **Patent No.:** **US D902,418 S**

(45) **Date of Patent:** **\*\* Nov. 17, 2020**

(54) **VAGINAL STEAMER**

(71) Applicant: **Monica Goulborne**, Patterson, NJ (US)

(72) Inventor: **Monica Goulborne**, Patterson, NJ (US)

(\*\*) Term: **15 Years**

(21) Appl. No.: **29/681,433**

(22) Filed: **Feb. 26, 2019**

(51) **LOC (12) Cl.** ..... **23-02**

(52) **U.S. Cl.**

USPC ..... **D24/203**

(58) **Field of Classification Search**

USPC ..... D24/201–205, 110; D23/360; D28/9

CPC ..... A61H 33/06; A61H 33/08; A61H 33/12;

A61H 2201/0153; A61H 2201/0157;

A61H 2201/0207; A61H 2201/163; A61M

35/003; A61B 17/545

See application file for complete search history.

(56) **References Cited**

**U.S. PATENT DOCUMENTS**

1,741,622	A	12/1929	Grafani	
D116,829	S *	9/1939	Paul	D24/201
D209,364	S *	11/1967	Katzman et al.	D24/203
3,707,971	A	1/1973	Yamamoto	
D262,052	S *	11/1981	Akita	D24/203
D266,020	S *	8/1982	Mikiya	D24/203

D284,692	S *	7/1986	Pohlmann	D28/9
D405,523	S	2/1999	Pietrobon	
D495,059	S *	8/2004	Lie	D24/203
6,904,624	B2	6/2005	Leung	
D879,486	S *	3/2020	Pratt	D28/9
2011/0209283	A1	9/2011	Chen	
2017/0020781	A1	1/2017	Tang	

\* cited by examiner

*Primary Examiner* — Anhdao Doan

(57) **CLAIM**

I claim the ornamental design for a vaginal steamer, as shown and described.

**DESCRIPTION**

FIG. 1 is a front view of a vaginal steamer;

FIG. 2 is a rear view thereof;

FIG. 3 is a right side view thereof;

FIG. 4 is a left side view thereof;

FIG. 5 is a top view thereof;

FIG. 6 is a bottom view thereof; and,

FIG. 7 is a rear view thereof in a condition of use with a toilet seat.

The broken lines in FIG. 1 depict a portion of the vaginal steamer that forms no part of the claimed design, and the broken lines in FIG. 7 represent an environment and are for illustrative purposes only; the broken lines form no part of the claimed design.

**1 Claim, 7 Drawing Sheets**

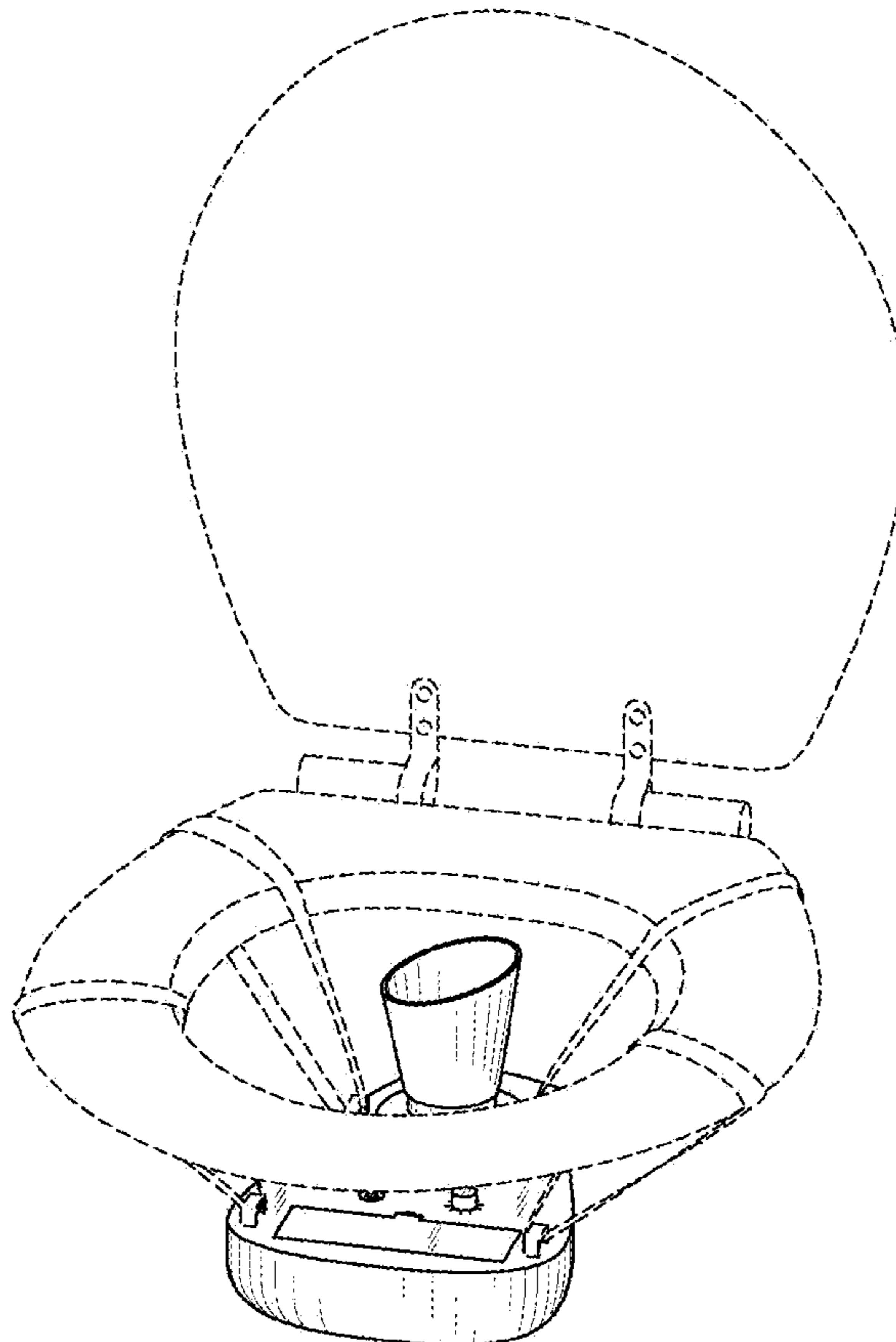


FIG. 1

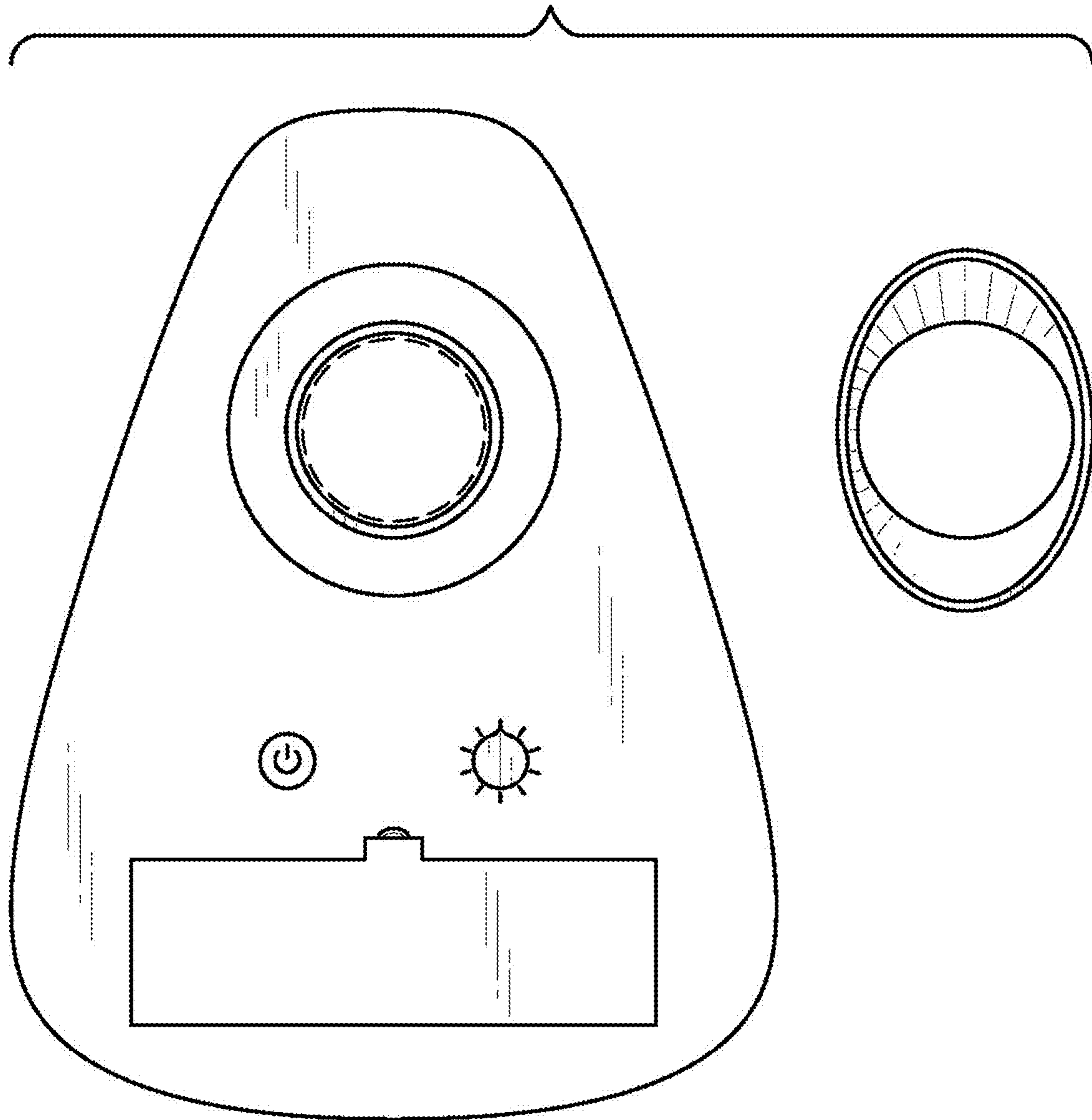


FIG. 2

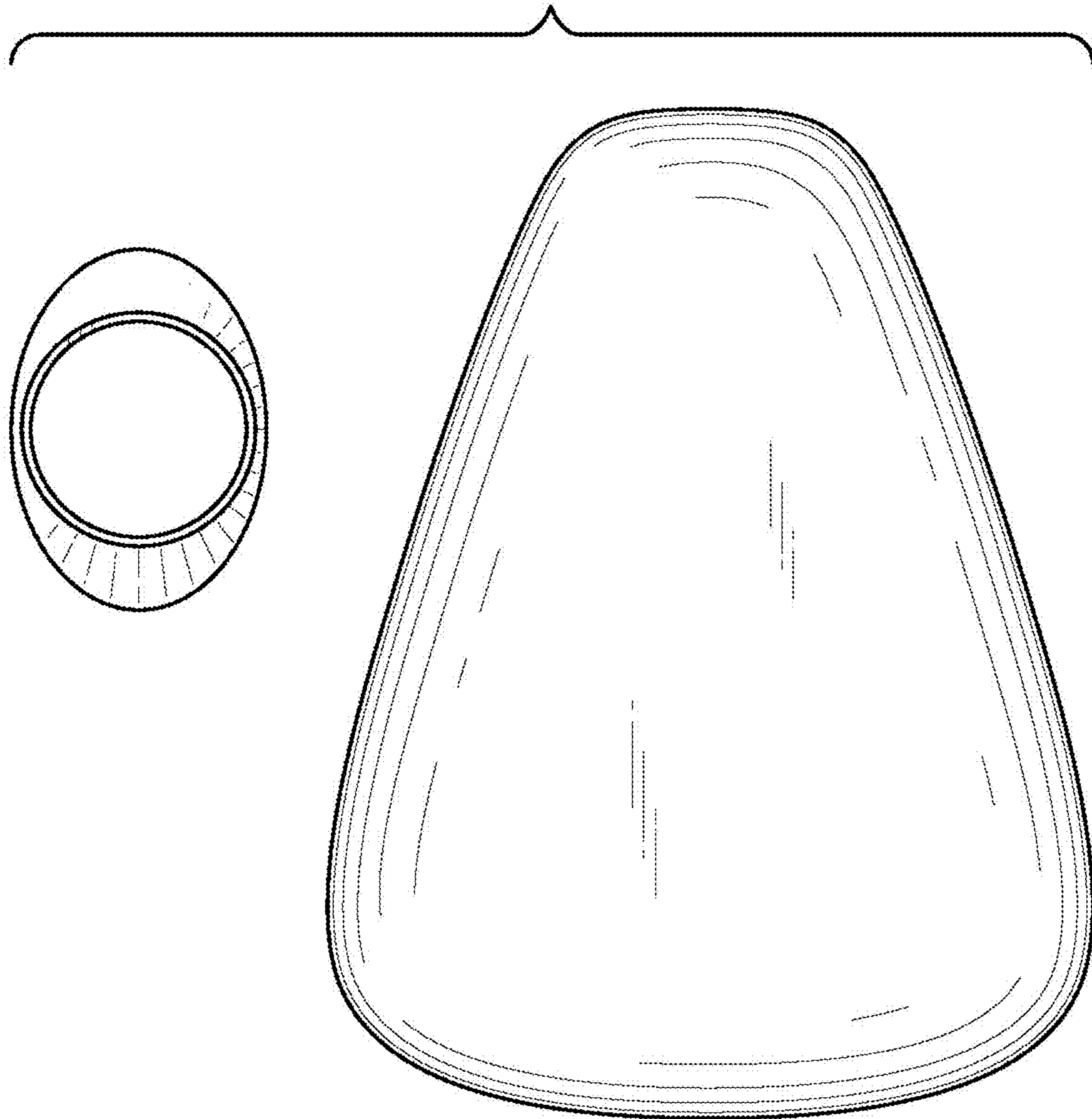


FIG. 3

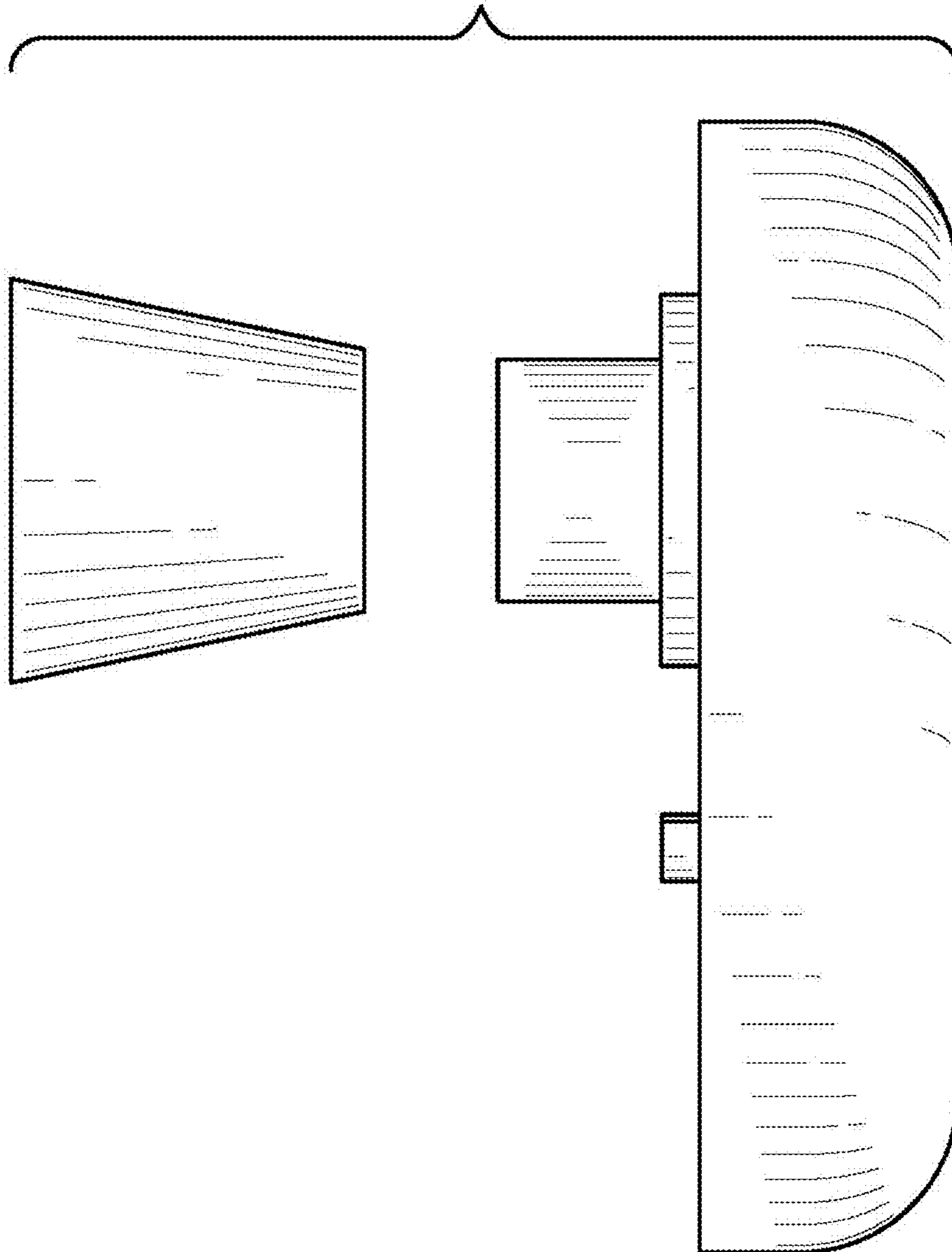


FIG. 4

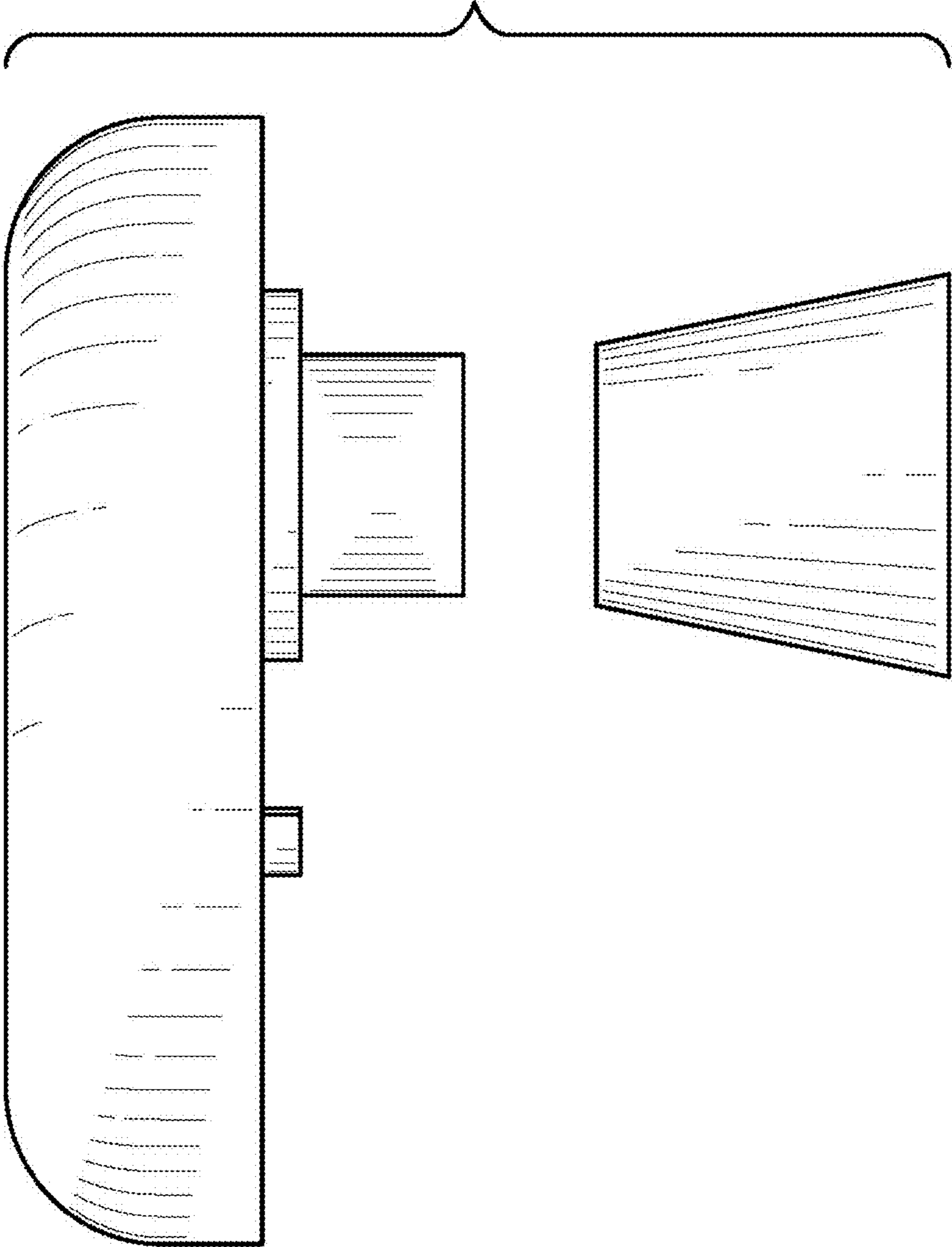


FIG. 5

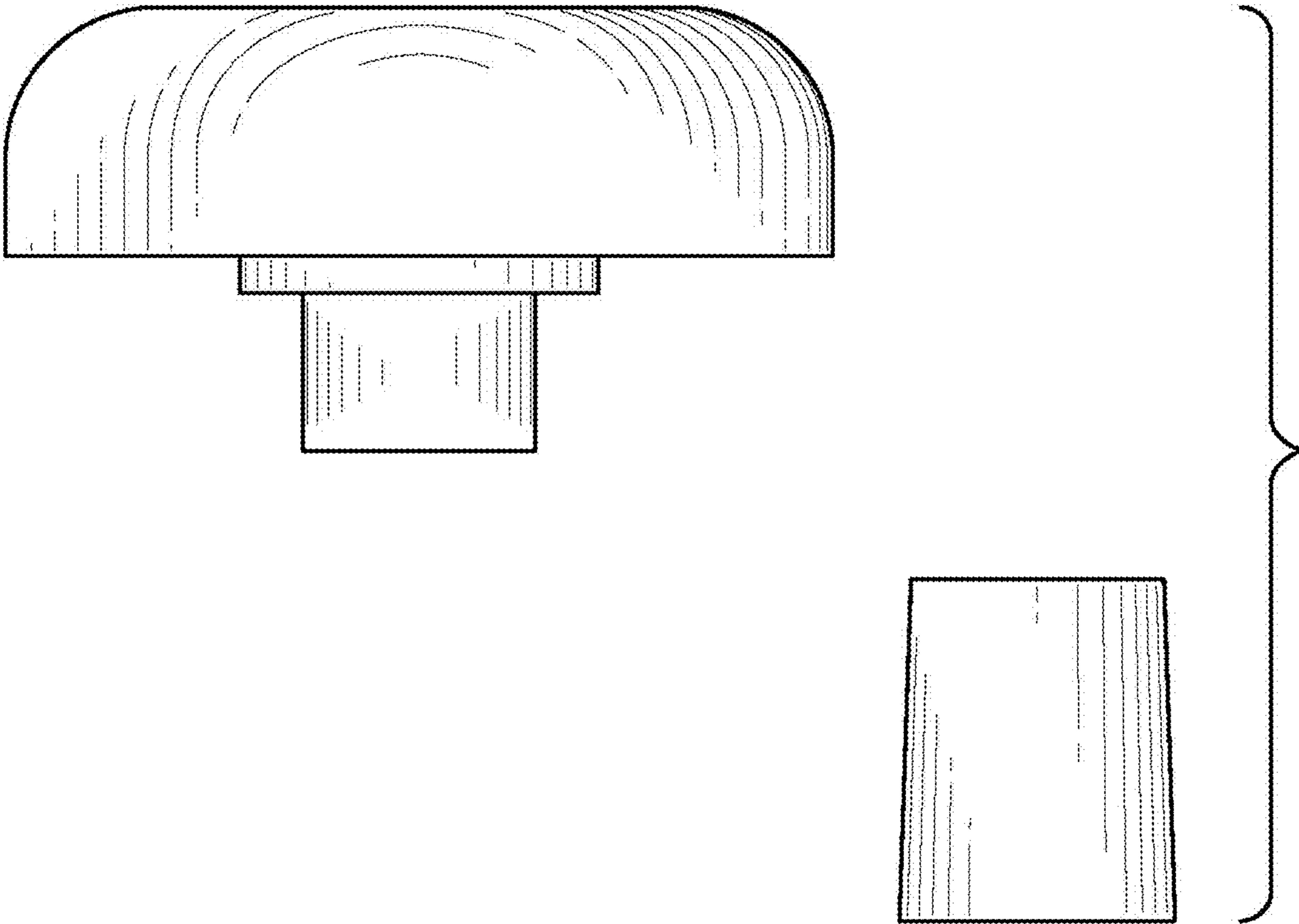


FIG. 6

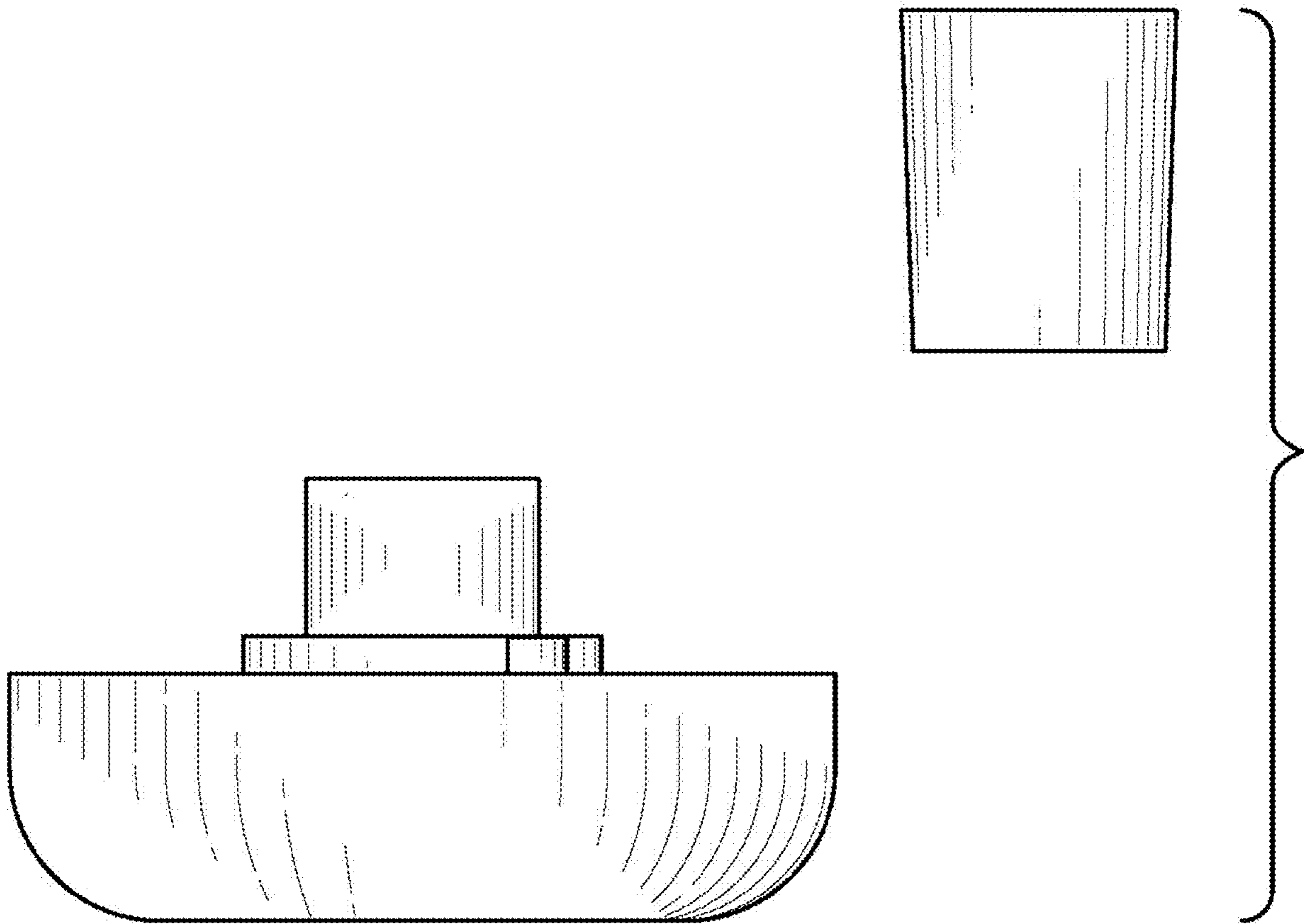


FIG. 7

