



US00D902417S

(12) **United States Design Patent** (10) **Patent No.:** **US D902,417 S**
Schroeder et al. (45) **Date of Patent:** **** Nov. 17, 2020**

(54) **PATIENT REMOTE**
(71) Applicant: **Axonics Modulation Technologies, Inc.**, Irvine, CA (US)
(72) Inventors: **Dennis Lynn Schroeder**, Irvine, CA (US); **Eric Schmid**, Irvine, CA (US)
(73) Assignee: **AXONICS MODULATION TECHNOLOGIES, INC.**, Irvine, CA (US)
(**) Term: **15 Years**
(21) Appl. No.: **29/693,505**
(22) Filed: **Jun. 3, 2019**
(51) **LOC (12) Cl.** **28-03**
(52) **U.S. Cl.**
USPC **D24/200**
(58) **Field of Classification Search**
USPC D24/200, 167, 169, 185-187; D13/162, D13/168, 171
See application file for complete search history.

D733,900 S * 7/2015 Hagege D24/200
D797,949 S 9/2017 Carreon et al.
9,895,546 B2 * 2/2018 Jiang A61N 1/37247
2004/0230246 A1 * 11/2004 Stein A61N 1/37247
607/32
2016/0199659 A1 * 7/2016 Jiang A61N 1/36057
607/60

* cited by examiner

Primary Examiner — Wan Laymon
(74) *Attorney, Agent, or Firm* — Kilpatrick Townsend & Stockton LLP

(57) **CLAIM**

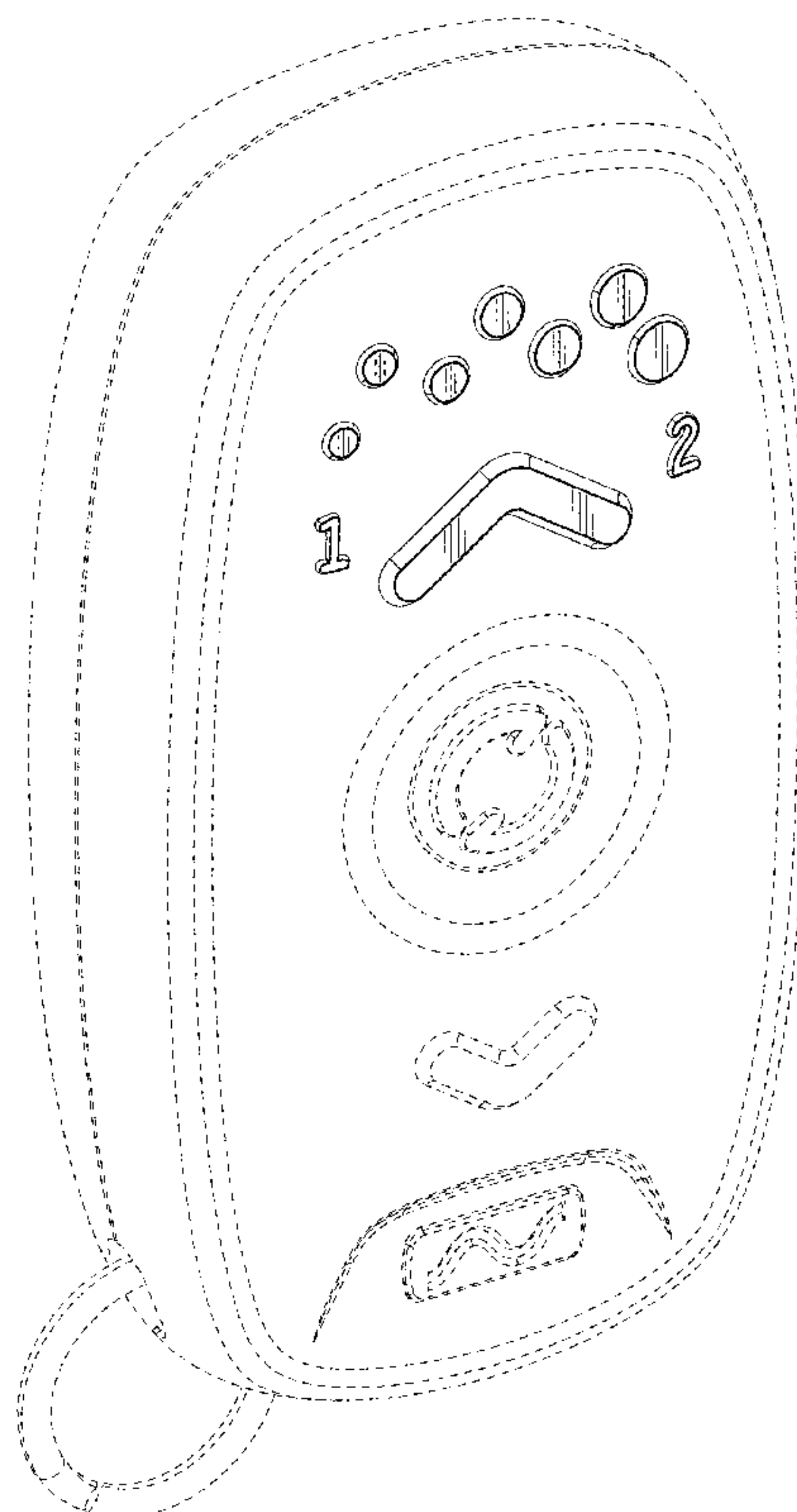
The ornamental design for a patient remote, as shown and described.

DESCRIPTION

FIG. 1 is a top perspective view of the patient remote showing our new design;
FIG. 2 is a bottom perspective view thereof;
FIG. 3 is a top view thereof;
FIG. 4 is a bottom view thereof;
FIG. 5 is a front side elevational view thereof;
FIG. 6 is a rear side elevational view thereof;
FIG. 7 is a right side view thereof;
FIG. 8 is a left side view thereof; and,
FIG. 9 is a right side perspective view thereof.
The portions shown in broken line form no part of the claimed design.

1 Claim, 9 Drawing Sheets

(56) **References Cited**
U.S. PATENT DOCUMENTS
5,172,698 A * 12/1992 Stanko A61N 1/37247
128/903
D477,880 S * 7/2003 Moretto D24/200
D535,031 S * 1/2007 Barrett D24/186
7,933,656 B2 * 4/2011 Sieracki A61N 1/36071
607/48



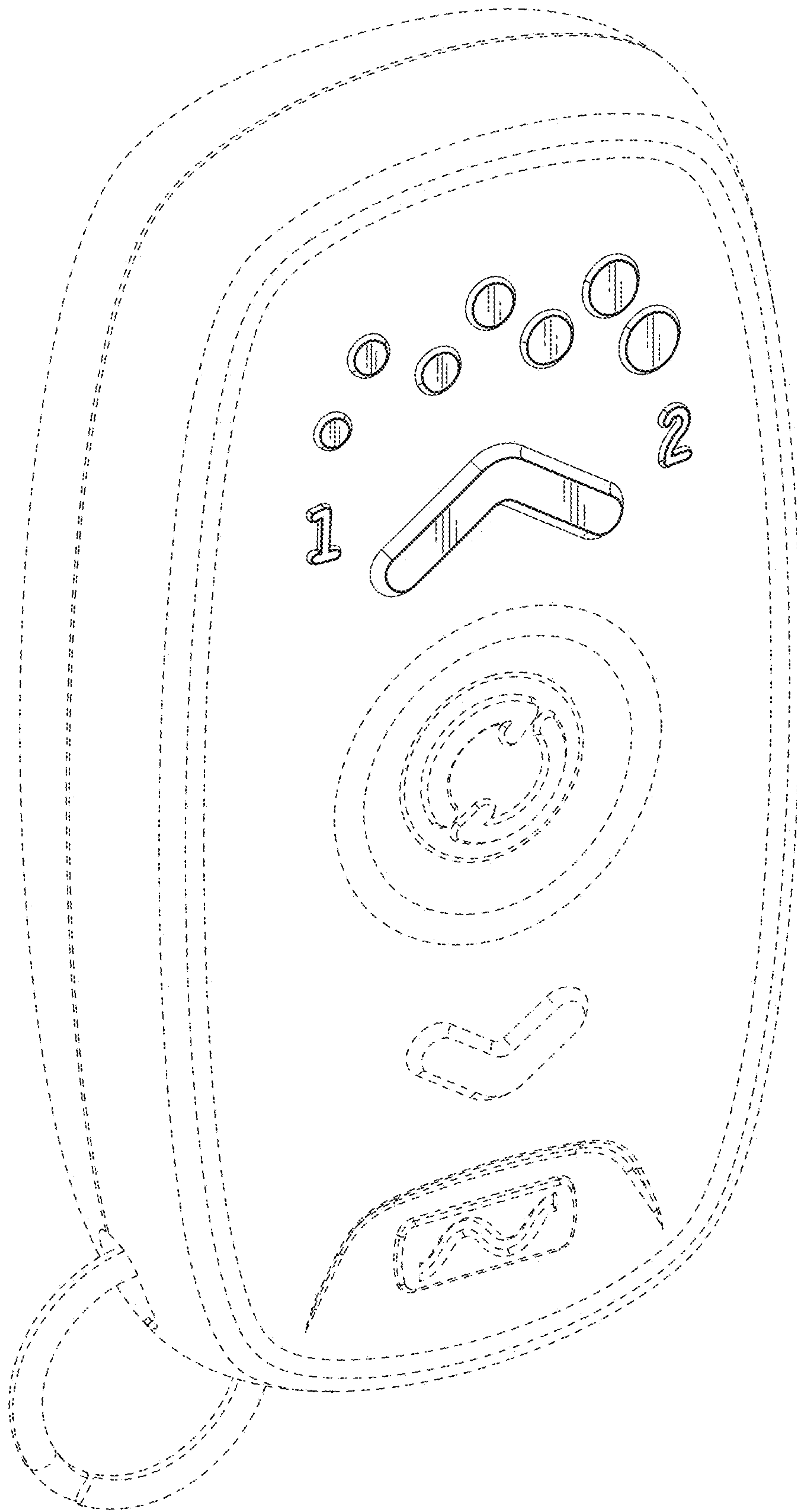


FIG. 1

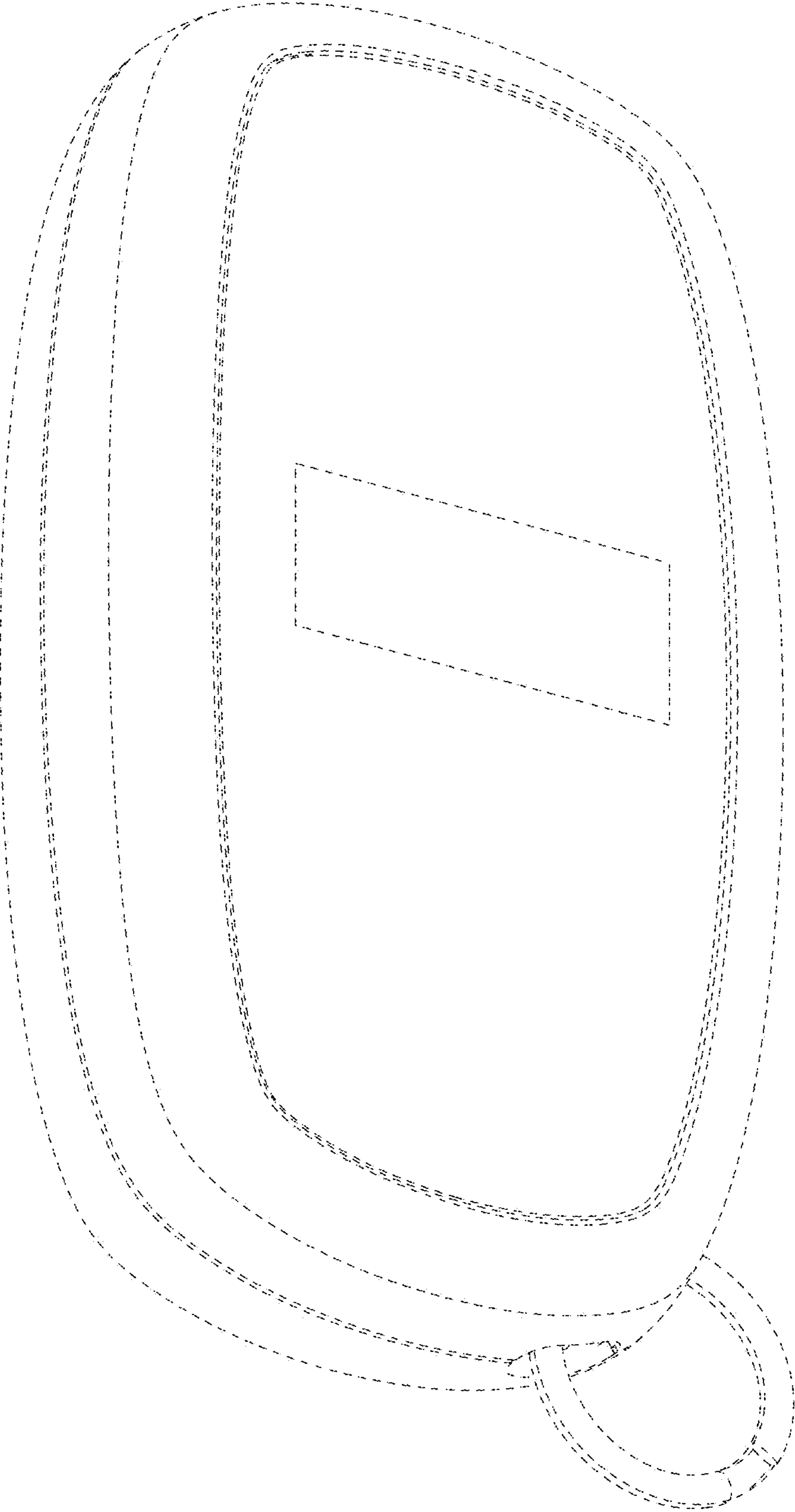


FIG. 2

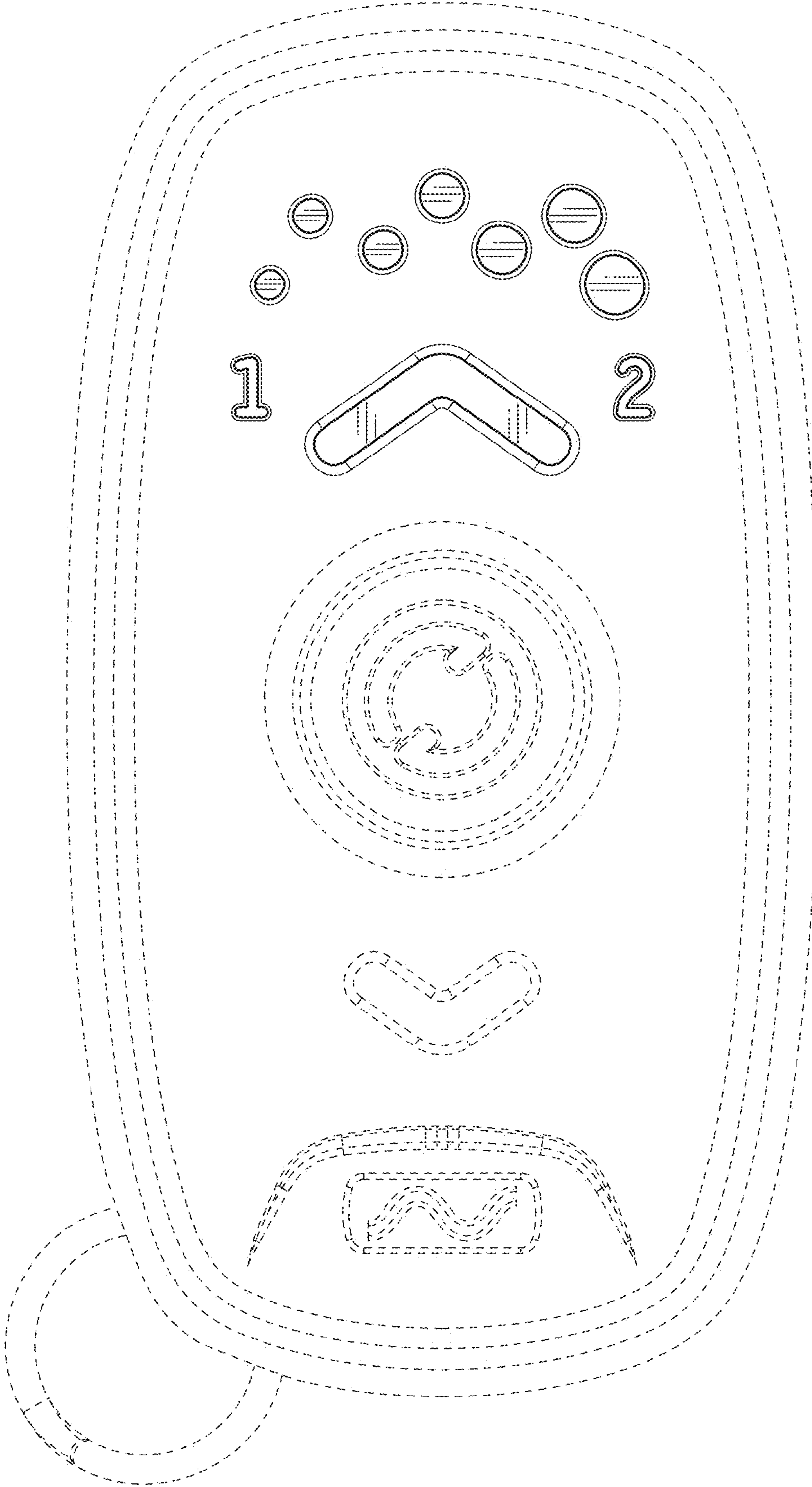


FIG. 3

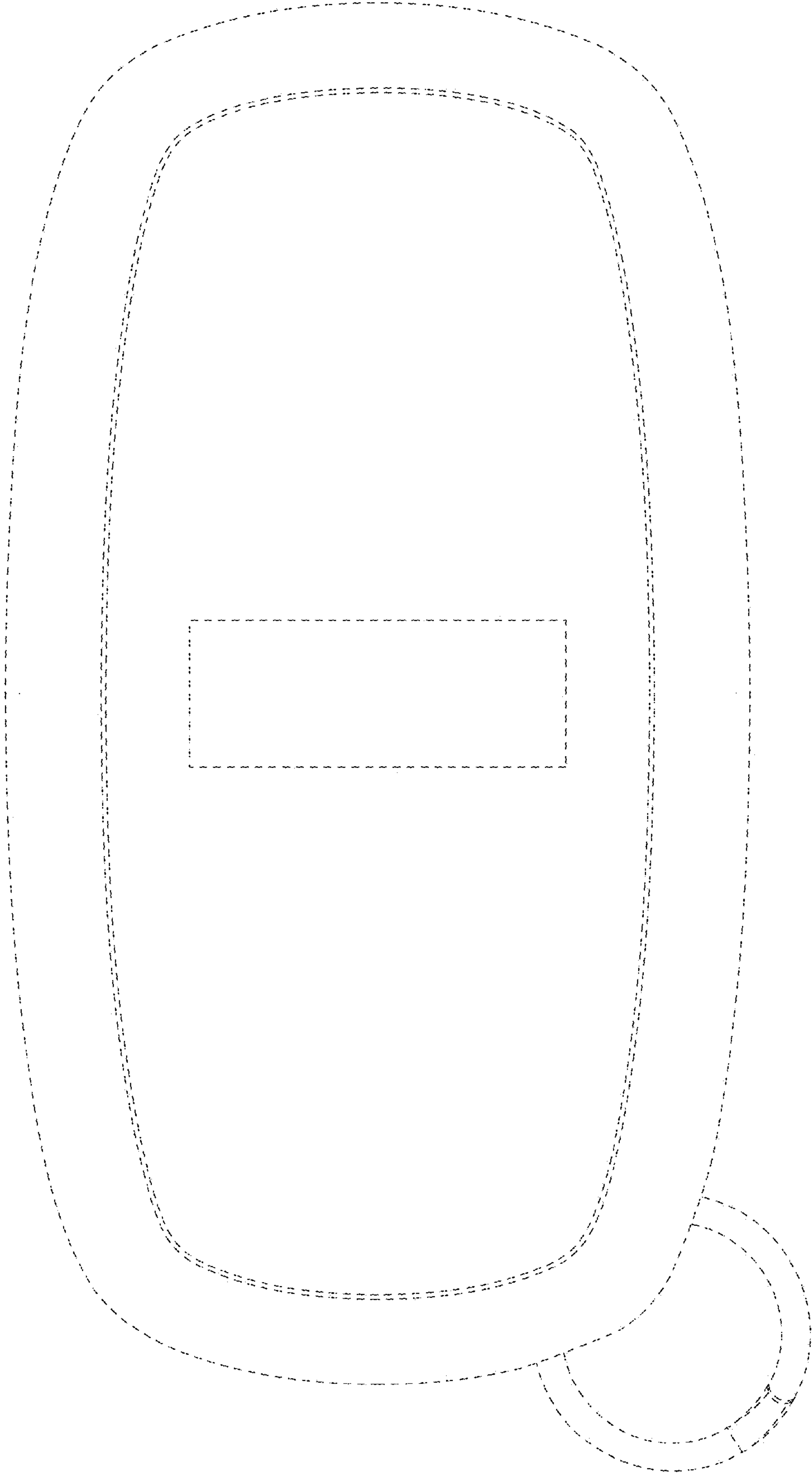


FIG. 4

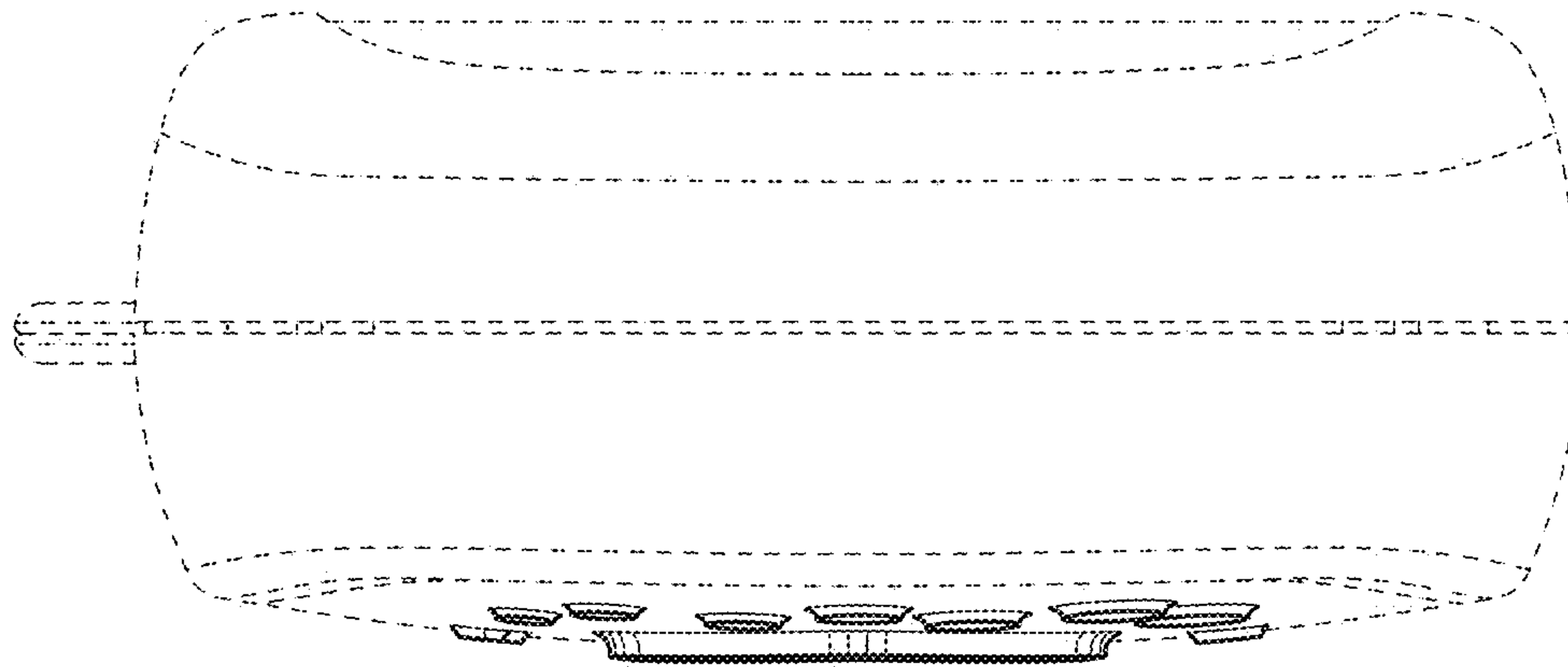


FIG. 5

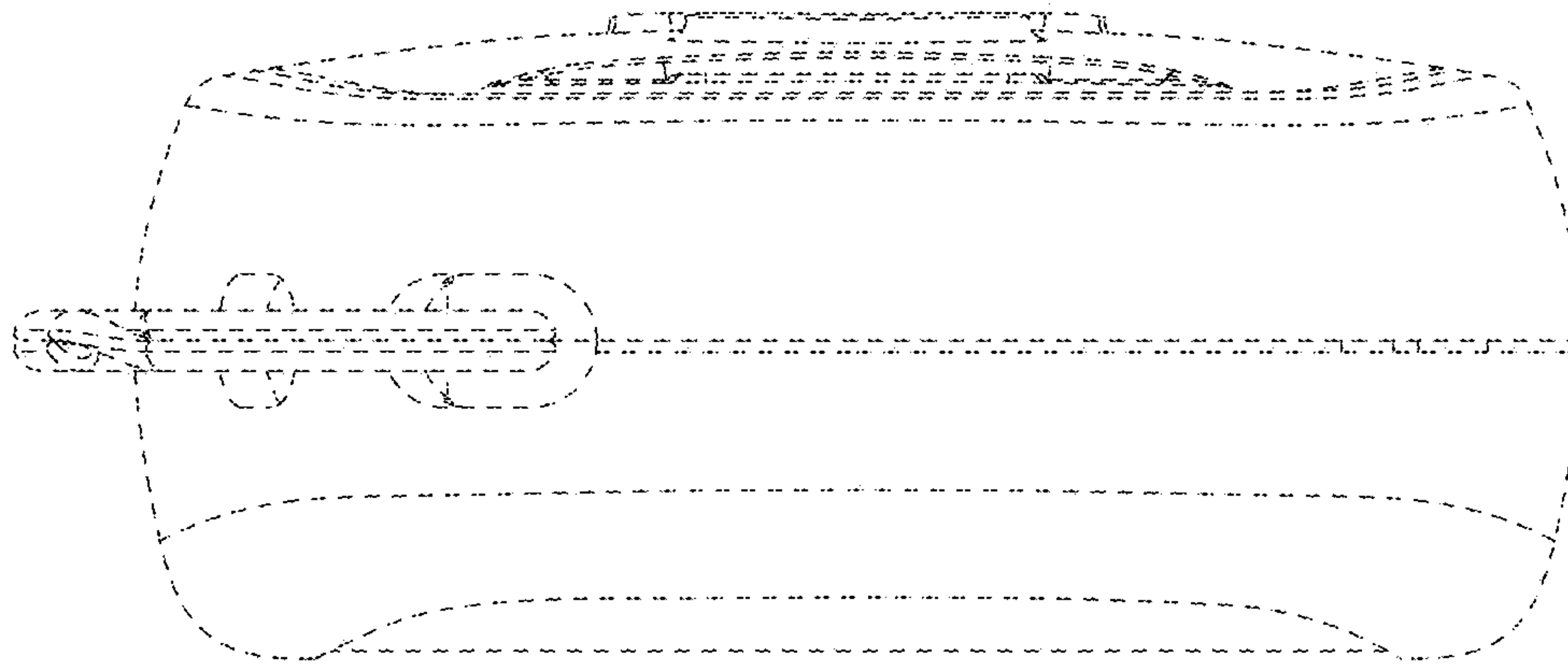


FIG. 6

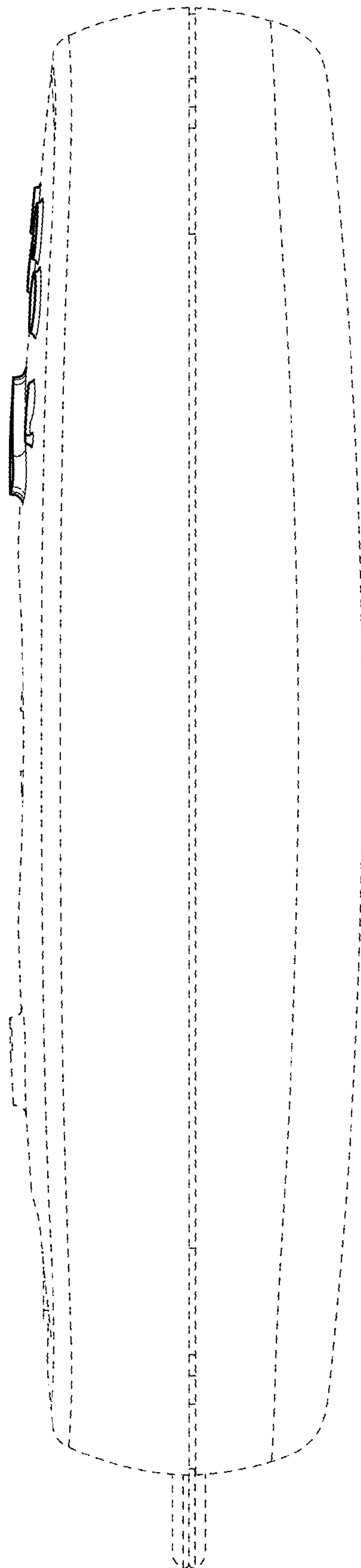


FIG. 7

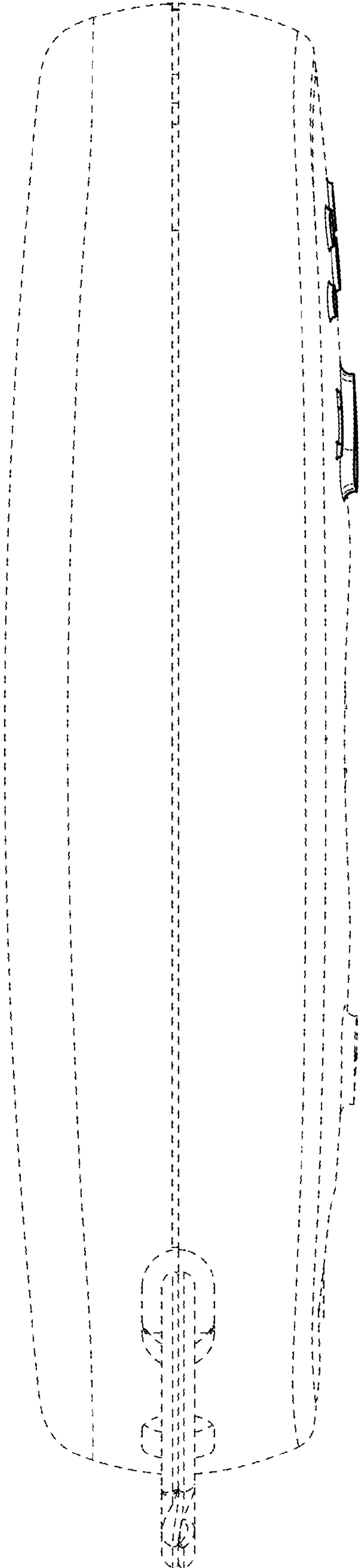


FIG. 8

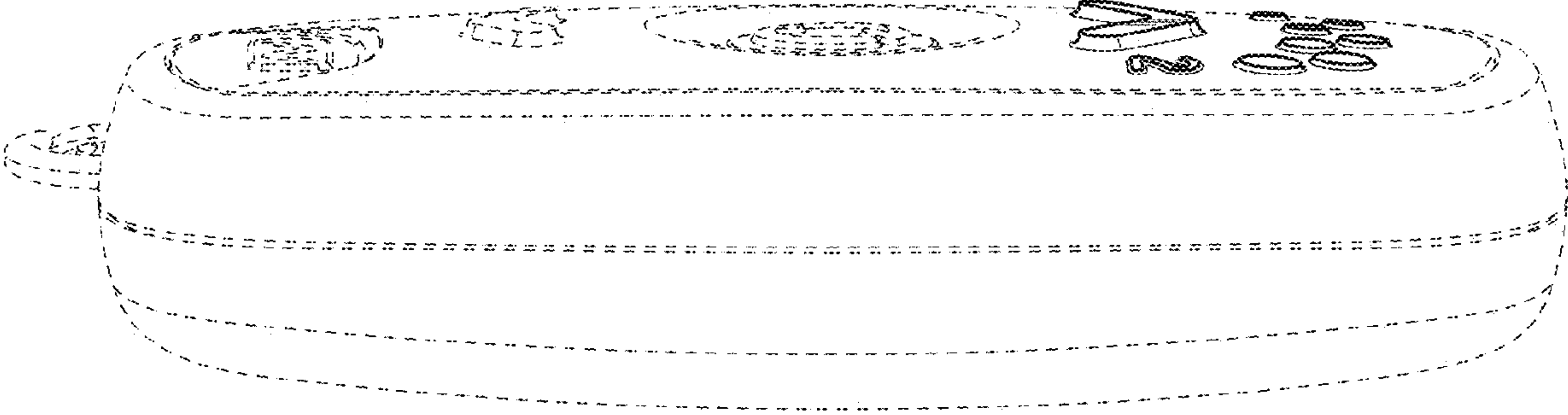


FIG. 9