



US00D902413S

(12) **United States Design Patent** (10) **Patent No.:** **US D902,413 S**  
**Laurino et al.** (45) **Date of Patent:** **\*\* Nov. 17, 2020**

- (54) **VAPOR ANESTHESIA TESTER**
- (71) Applicant: **Fluke Corporation**, Everett, WA (US)
- (72) Inventors: **Ferdinand Y. Laurino**, Seattle, WA (US); **Michael A. Schoch**, Granite Falls, WA (US)
- (73) Assignee: **Fluke Corporation**, Everett, WA (US)
- (\*\*) Term: **15 Years**
- (21) Appl. No.: **29/670,592**
- (22) Filed: **Nov. 16, 2018**
- (51) **LOC (12) Cl.** ..... **24-02**
- (52) **U.S. Cl.**  
USPC ..... **D24/186**
- (58) **Field of Classification Search**  
USPC ..... D24/107, 108, 163, 164, 186, 216, 231, D24/232; D10/78, 81, 96  
CPC .... A61G 11/00; A61G 11/002; A61G 11/005; A61G 11/009; A01K 41/00; A01K 41/02; A01K 41/04; A61B 5/08; A61B 5/0803  
See application file for complete search history.

D698,925 S *	2/2014	Marzynski	.....	D24/186
D701,780 S *	4/2014	Marzynski	.....	D10/75
D712,543 S *	9/2014	Maier	.....	D24/186
D765,258 S *	8/2016	Marzynski	.....	D24/186
D774,182 S *	12/2016	Davidian	.....	D24/121
D777,902 S *	1/2017	Souney	.....	D24/107
D833,022 S *	11/2018	Corrigan	.....	D24/186
D842,736 S *	3/2019	Laurino	.....	D10/96
D852,072 S *	6/2019	Laurino	.....	D10/78

\* cited by examiner

*Primary Examiner* — Anhdao Doan

(74) *Attorney, Agent, or Firm* — Seed Intellectual Property Law Group LLP

(57) **CLAIM**

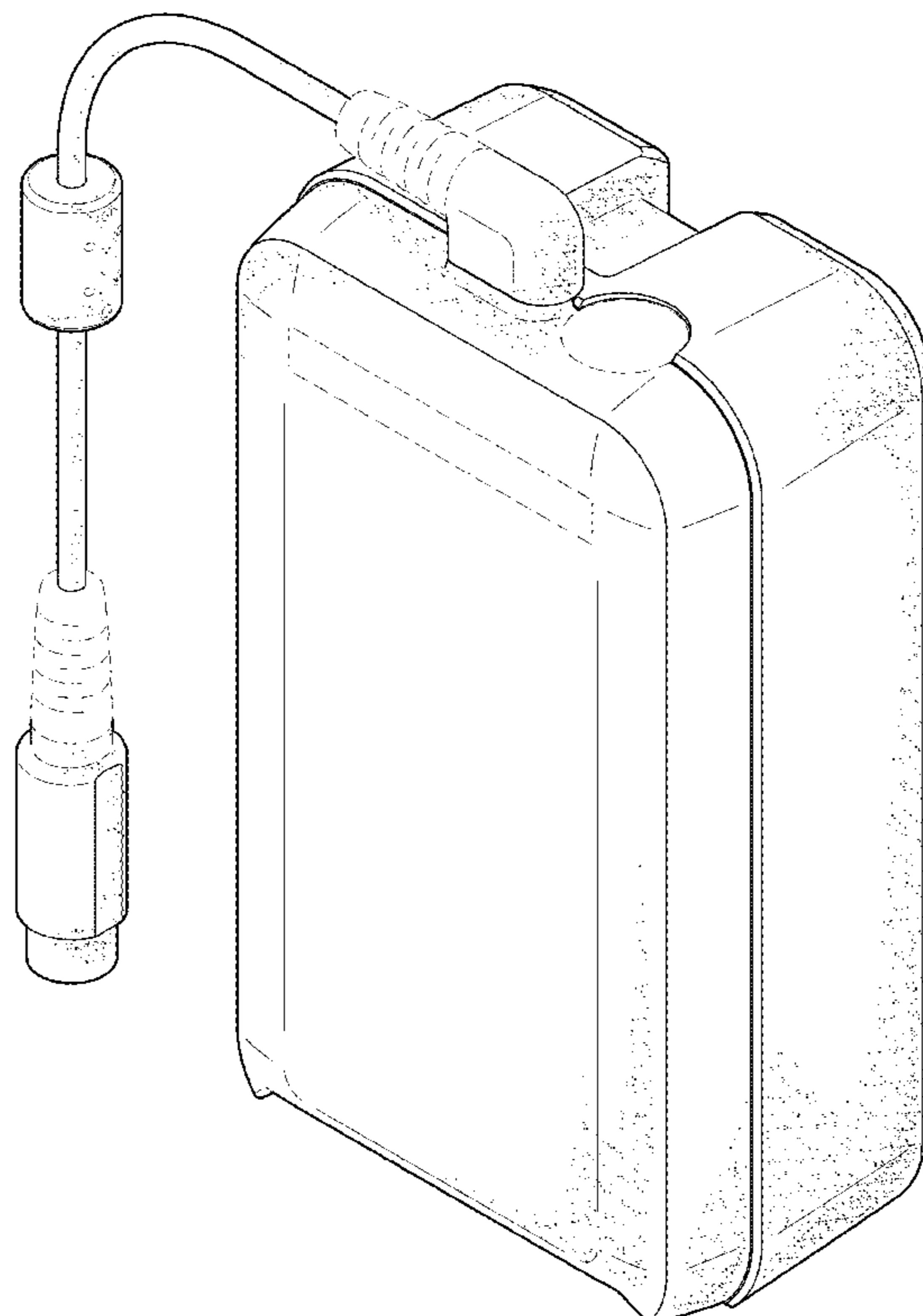
The ornamental design for a vapor anesthesia tester, as shown and described.

**DESCRIPTION**

FIG. 1 is a top, front, right side perspective view of a vapor anesthesia tester showing our new design.  
 FIG. 2 is a bottom, rear, left side perspective view thereof.  
 FIG. 3 is a front elevation view thereof.  
 FIG. 4 is a left side elevation view thereof.  
 FIG. 5 is a rear elevation view thereof.  
 FIG. 6 is a right side elevation view thereof.  
 FIG. 7 is a top plan view thereof; and,  
 FIG. 8 is a bottom plan view thereof.  
 The broken lines in the figures illustrate portions of the vapor anesthesia tester that form no part of the claimed design.

**1 Claim, 7 Drawing Sheets**

- (56) **References Cited**  
U.S. PATENT DOCUMENTS  
D423,665 S \* 4/2000 Herbst ..... D24/107  
D471,271 S \* 3/2003 Stromberg ..... D24/107  
D579,540 S \* 10/2008 Hochman ..... D24/107  
D590,734 S \* 4/2009 Mendelson ..... G05D 7/0635  
D10/96



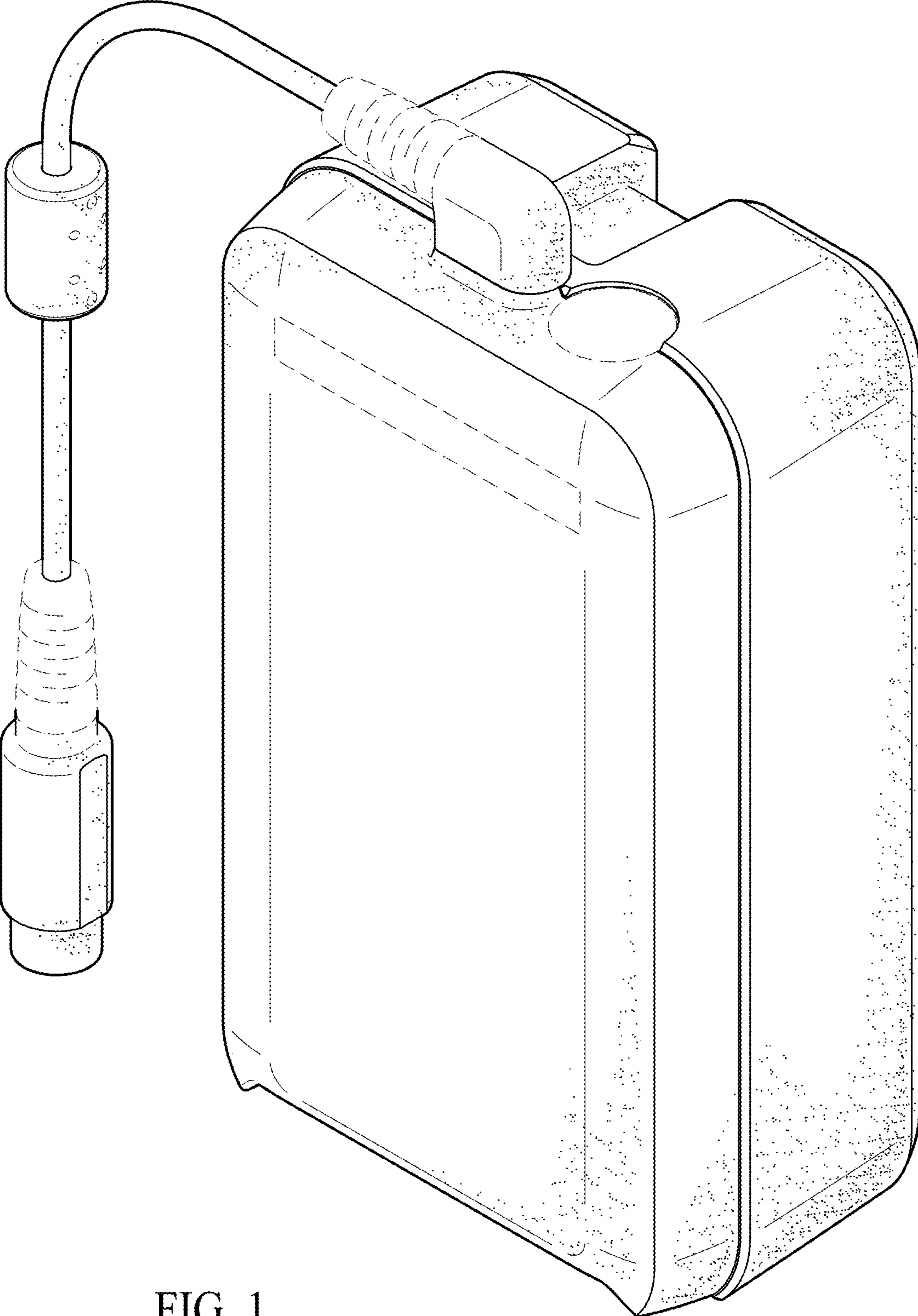


FIG. 1

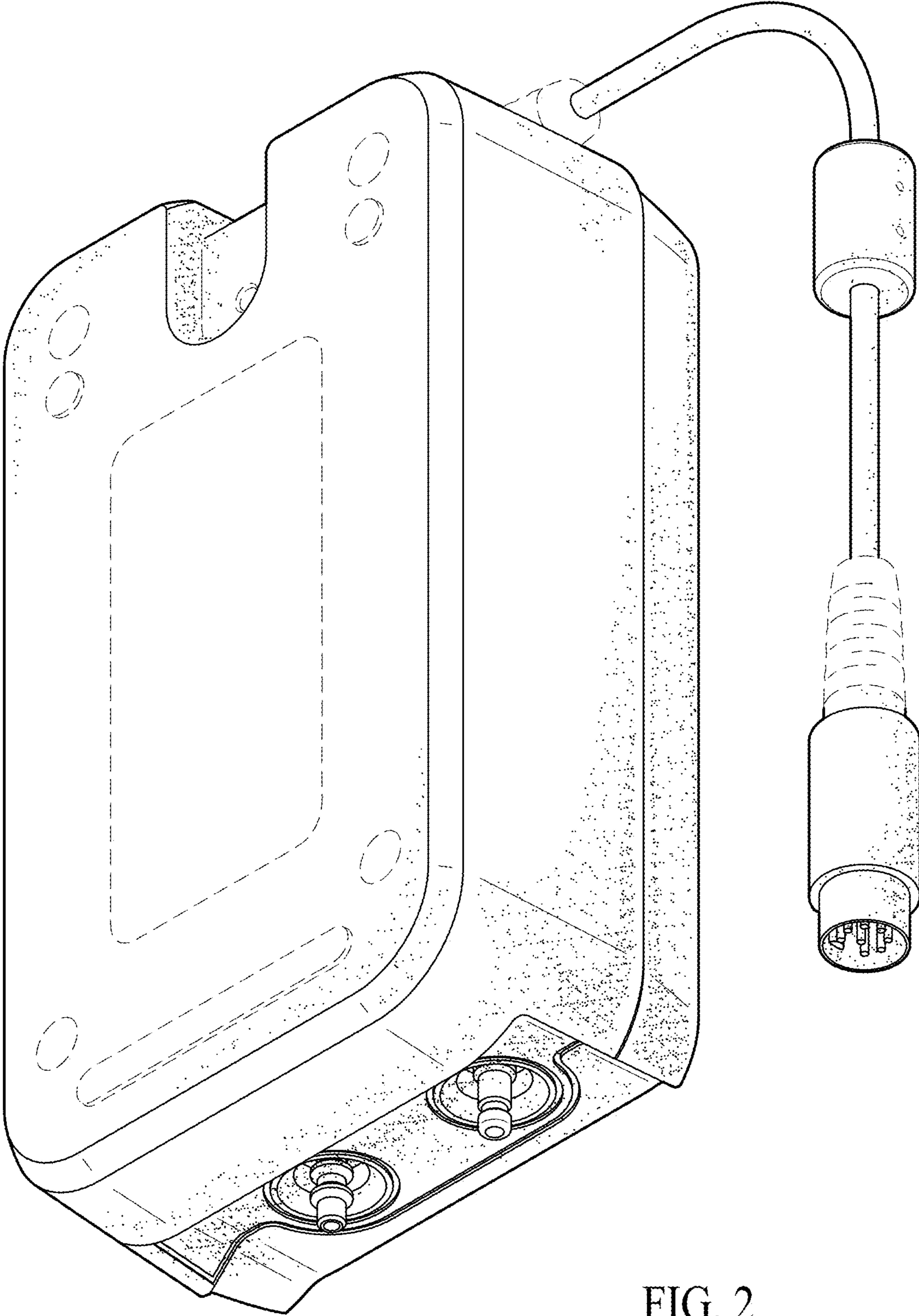


FIG. 2

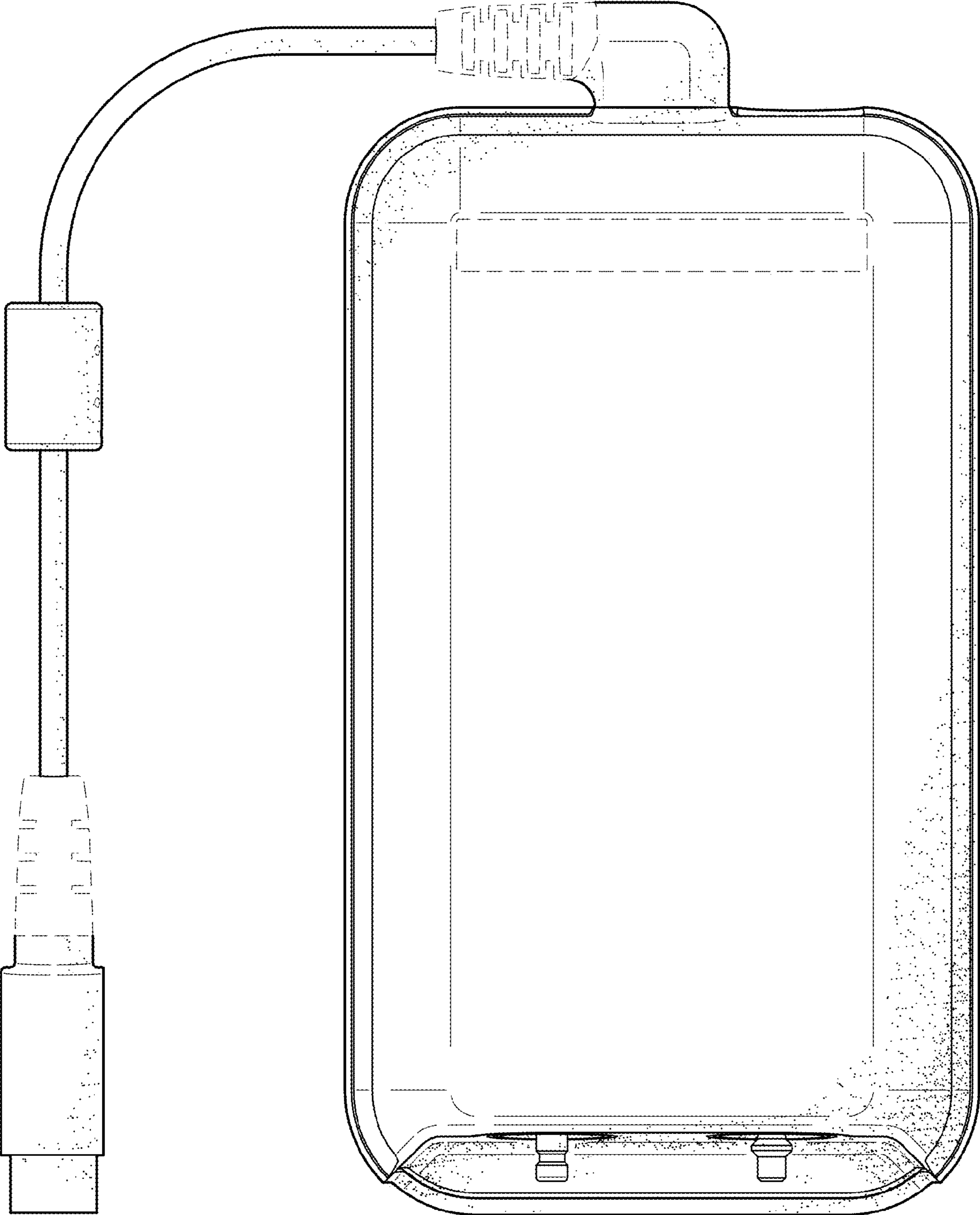


FIG. 3

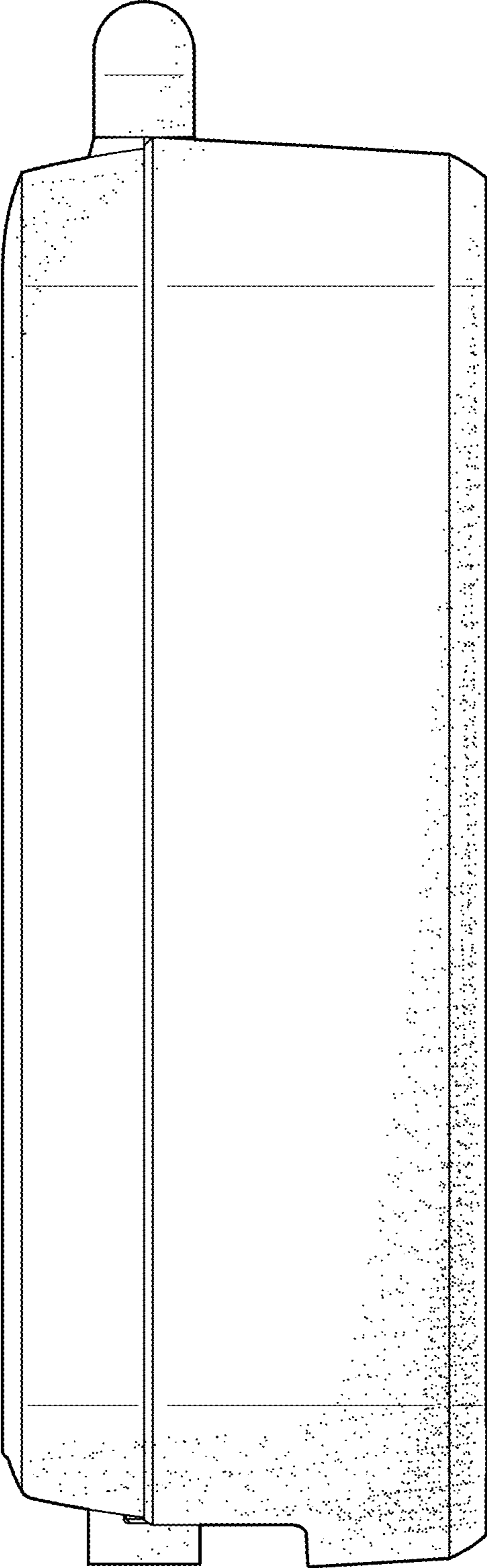


FIG. 4

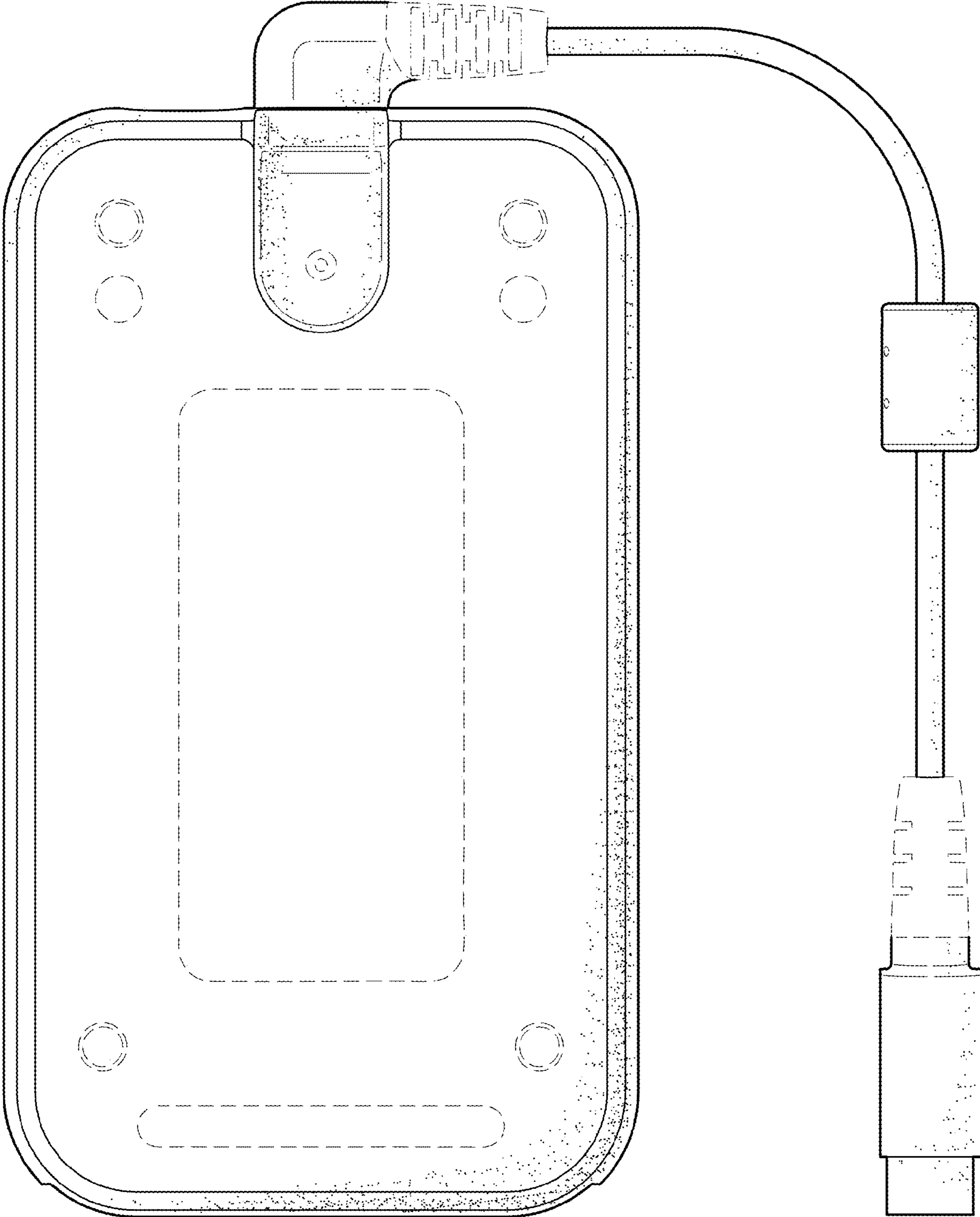


FIG. 5

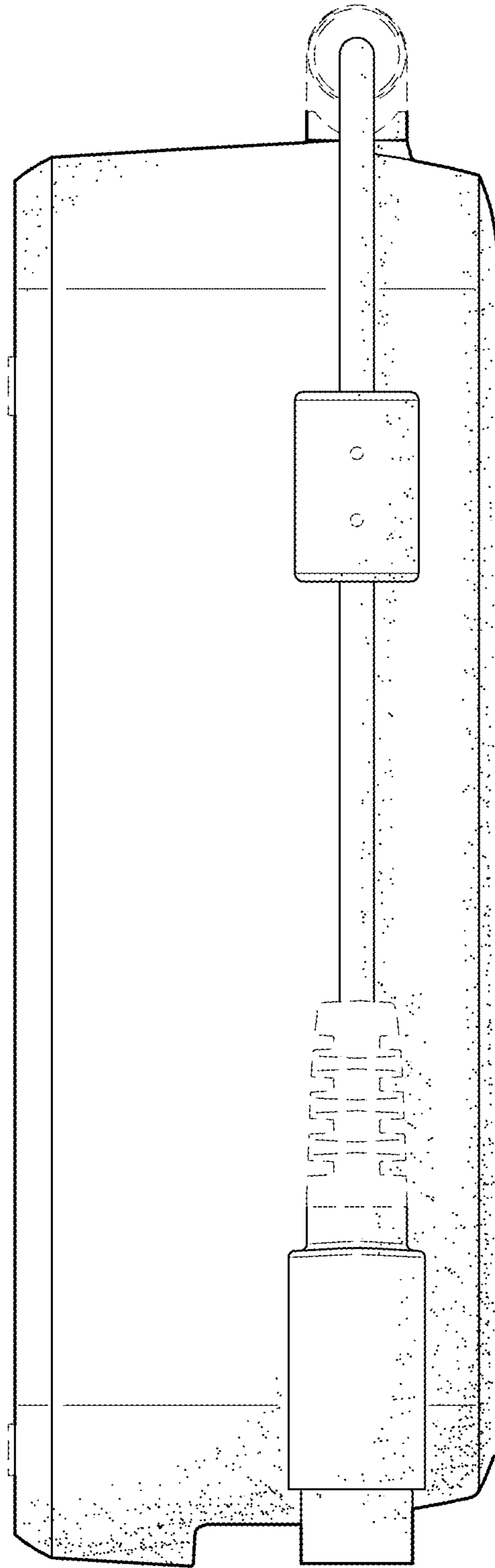


FIG. 6

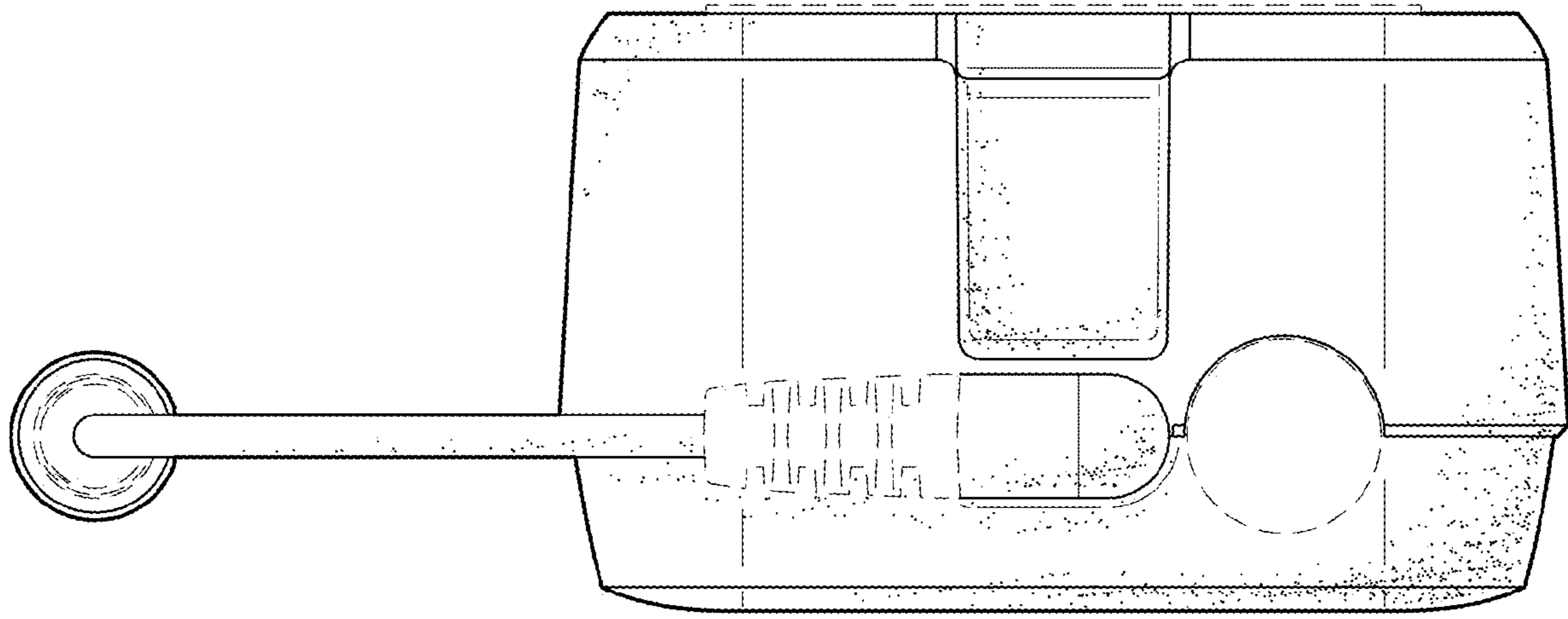


FIG. 7

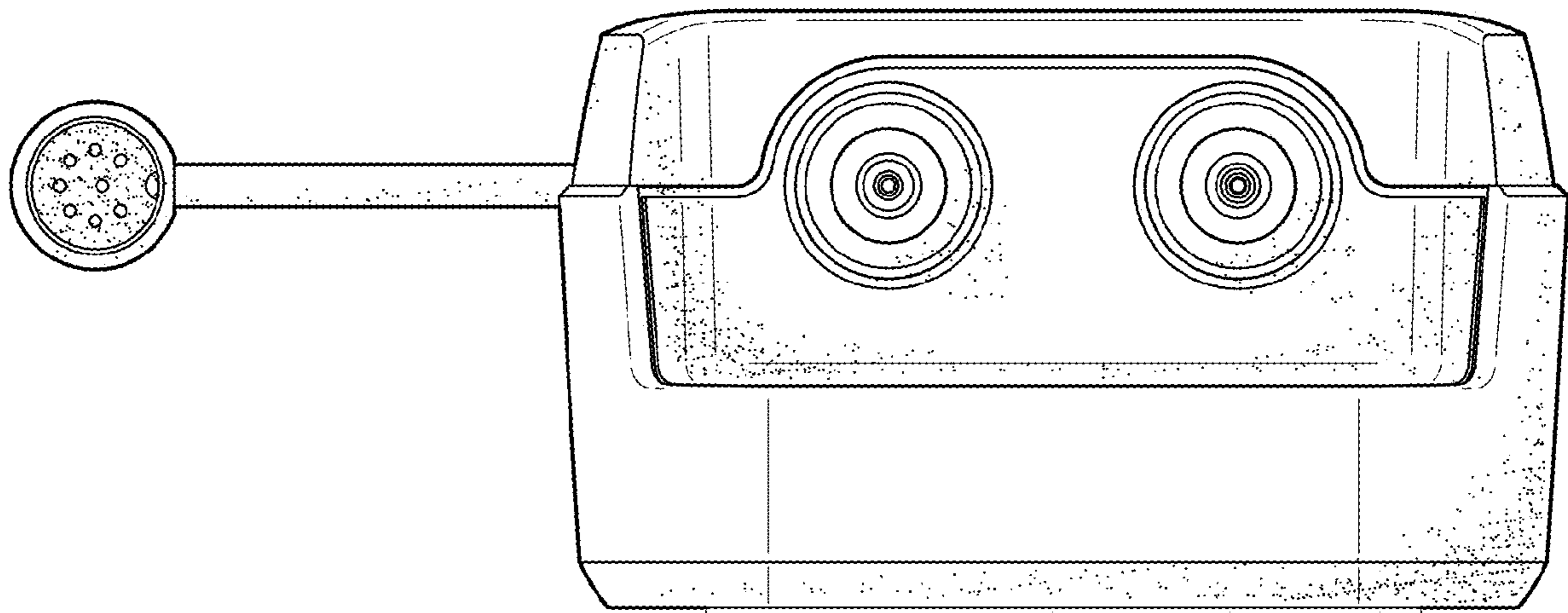


FIG. 8