



US00D902411S

(12) **United States Design Patent**  
**Spanke et al.**

(10) **Patent No.:** **US D902,411 S**

(45) **Date of Patent:** **\*\* Nov. 17, 2020**

(54) **INTERFACE FOR DENTAL MODEL  
ARTICULATOR ADAPTOR**

(71) Applicant: **NATIONAL DENTEX, LLC**, Palm  
Beach Gardens, FL (US)

(72) Inventors: **Ryan A. Spanke**, Reno, NV (US);  
**Michael J. Mandeville**, Reno, NV (US)

(73) Assignee: **NATIONAL DENTEX, LLC**, Palm  
Beach Gardens, FL (US)

(\*\*) Term: **15 Years**

(21) Appl. No.: **29/665,133**

(22) Filed: **Oct. 1, 2018**

(51) **LOC (12) Cl.** ..... **24-02**

(52) **U.S. Cl.**  
USPC ..... **D24/182**

(58) **Field of Classification Search**  
USPC .... D24/176, 180, 182, 107, 127; 433/60-61  
CPC .... A61C 11/08; A61C 11/087; A61C 11/082;  
A61C 11/085  
See application file for complete search history.

(56) **References Cited**

**U.S. PATENT DOCUMENTS**

3,067,515 A \* 12/1962 Wilkinson ..... A61C 11/082  
433/60  
4,501,556 A \* 2/1985 Zelnigher ..... A61C 11/082  
433/56

7,686,278 B2 \* 3/2010 Lin ..... A61C 11/08  
249/54  
2010/0009318 A1 \* 1/2010 Kim ..... A61C 11/08  
433/213  
2012/0164595 A1 \* 6/2012 Su ..... A61C 11/08  
433/54  
2012/0308954 A1 \* 12/2012 Dunne ..... A61C 13/0013  
433/60  
2013/0323676 A1 \* 12/2013 Abdala Pastor ..... A61C 11/08  
433/60  
2016/0250005 A1 \* 9/2016 Mehta ..... A61C 11/084  
433/60  
2019/0336253 A1 \* 11/2019 Littlefair ..... A61C 11/08  
2020/0100878 A1 \* 4/2020 Spanke ..... A61C 11/08

\* cited by examiner

*Primary Examiner* — Wan Laymon

(74) *Attorney, Agent, or Firm* — Frost Brown Todd LLC

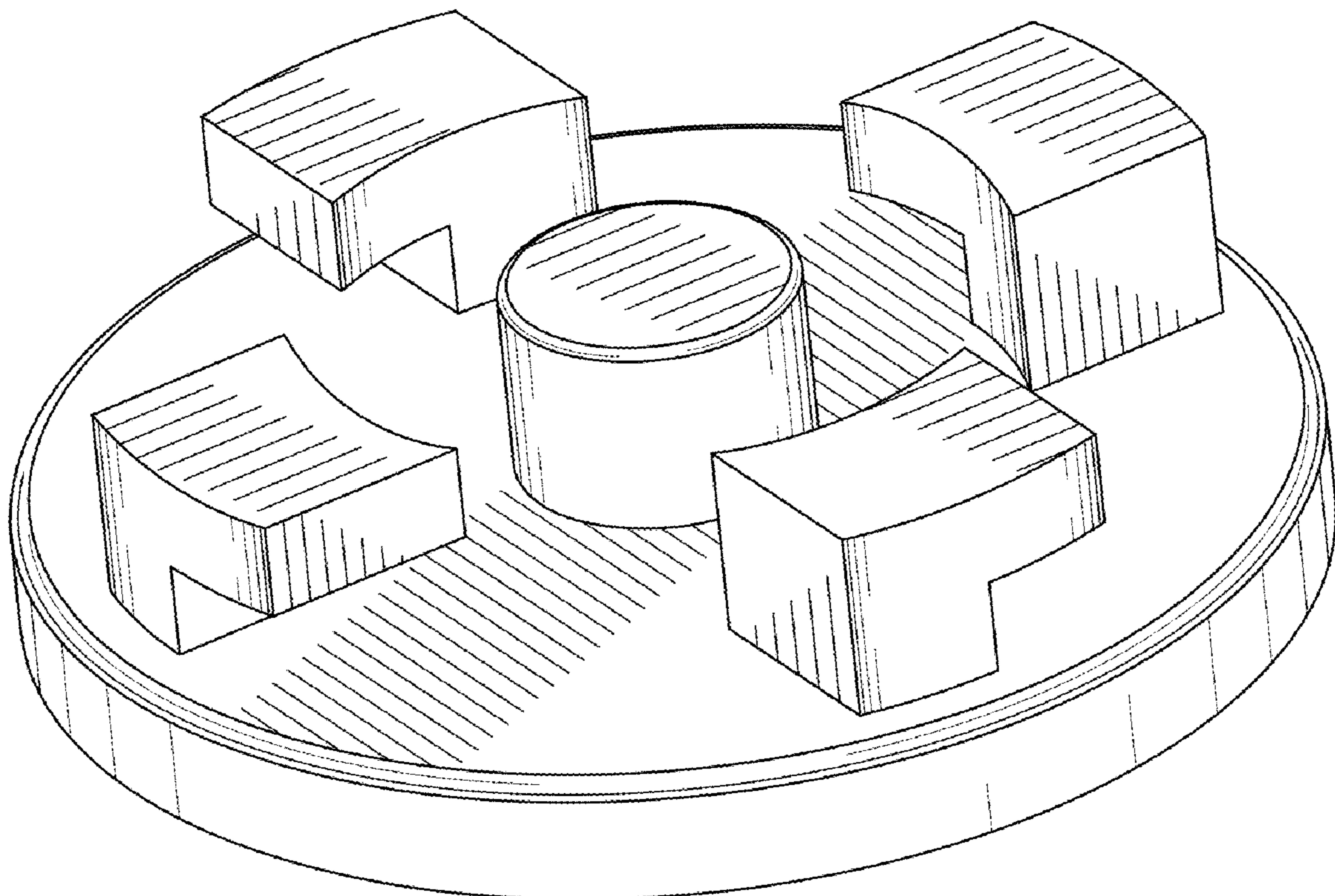
(57) **CLAIM**

The ornamental design for an interface for dental model articulator adaptor, as shown and described.

**DESCRIPTION**

FIG. 1 is a top perspective view of an interface for dental model articulator adaptor, showing our new design; FIG. 2 is a front elevational view of the interface of FIG. 1; FIG. 3 is a back elevational view of the interface of FIG. 1; FIG. 4 is a left elevational view of the interface of FIG. 1; FIG. 5 is a right elevational view of the interface of FIG. 1; FIG. 6 is a top plan view of the interface of FIG. 1; and, FIG. 7 is a bottom plan view of the interface of FIG. 1.

**1 Claim, 7 Drawing Sheets**



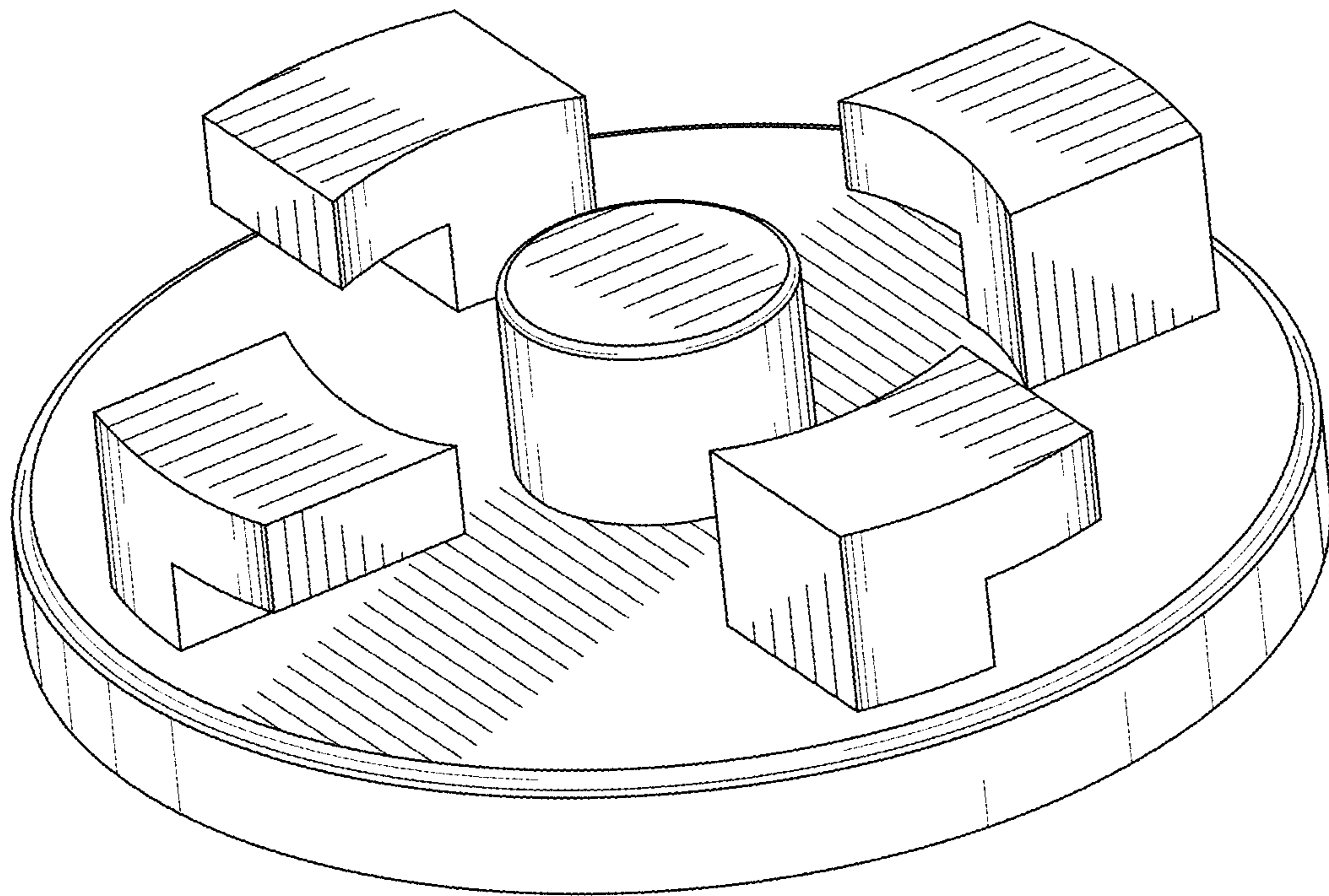


Fig. 1

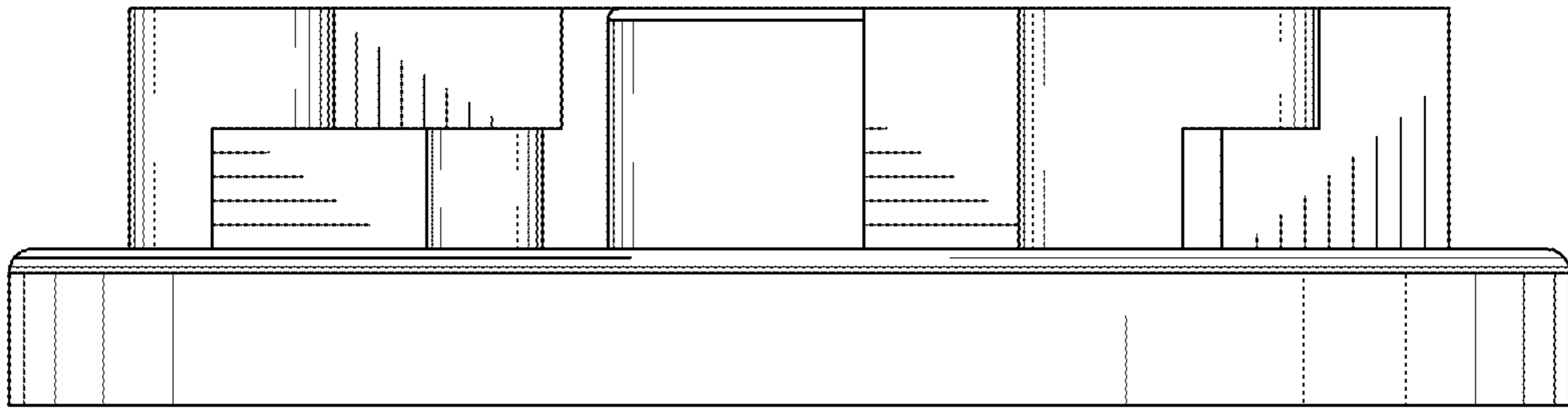


Fig.2

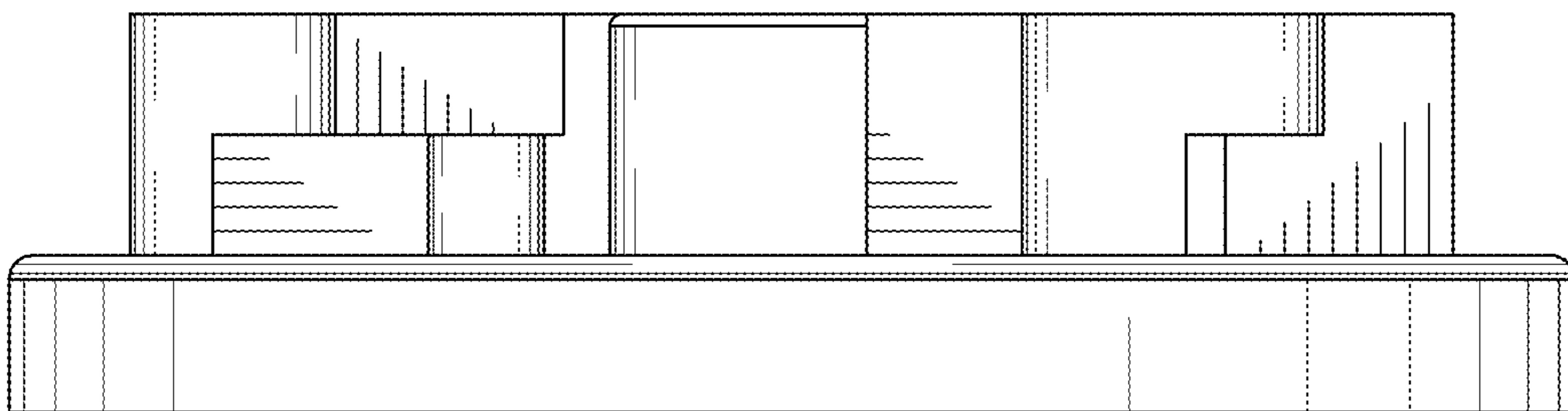


Fig.3

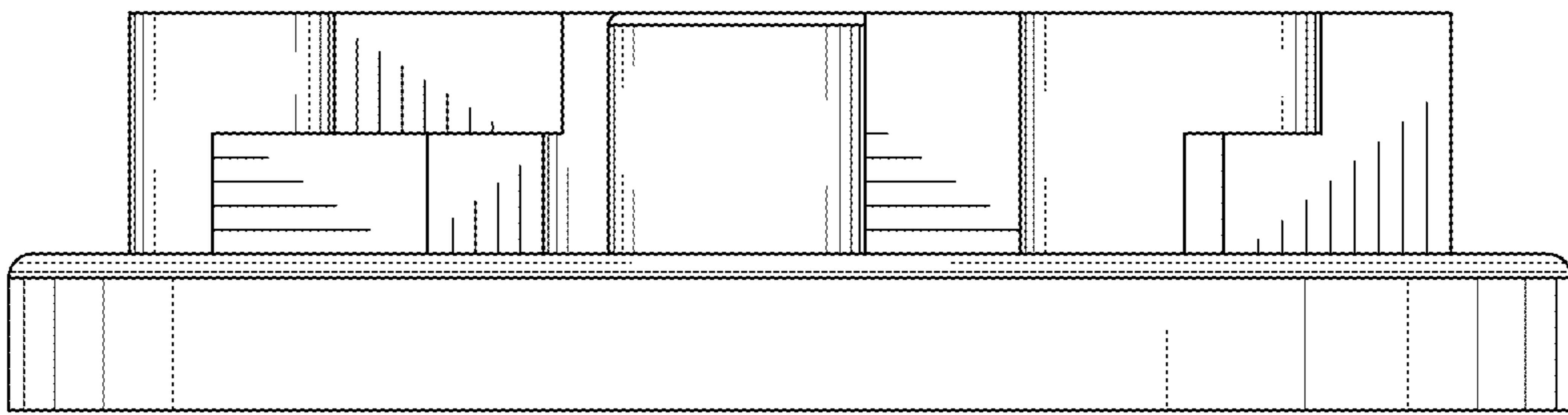


Fig.4

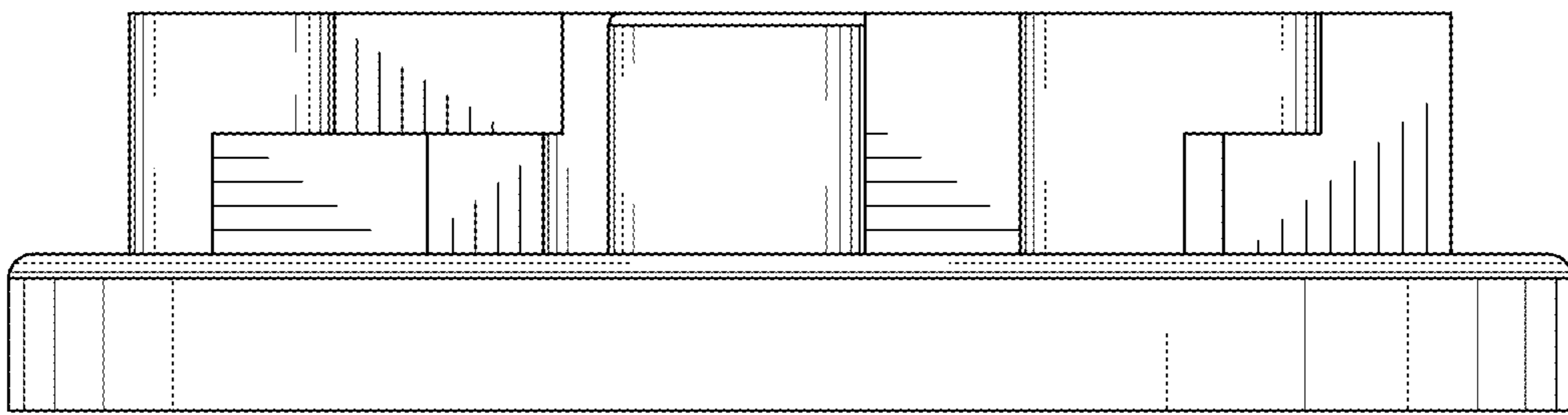


Fig.5

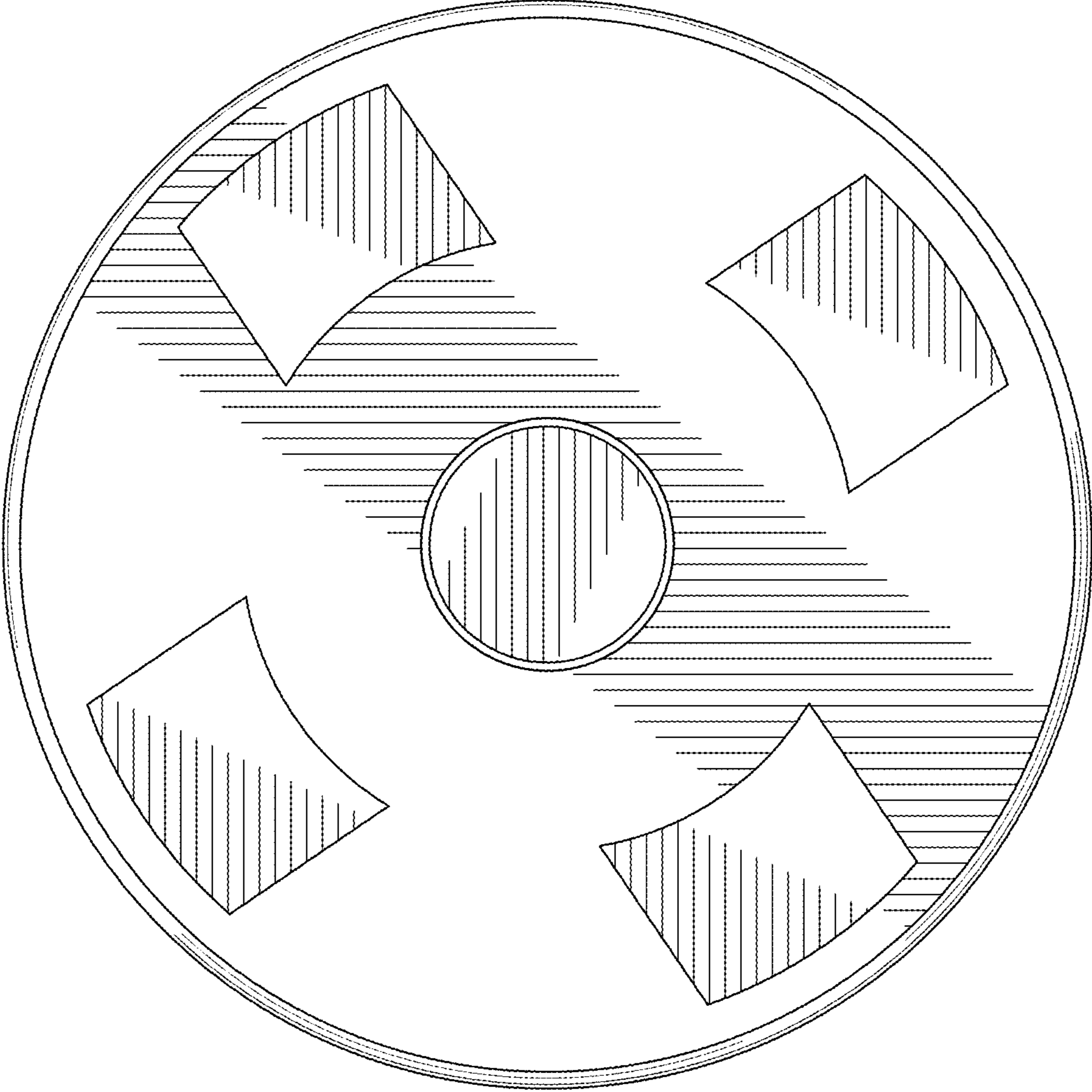


Fig.6

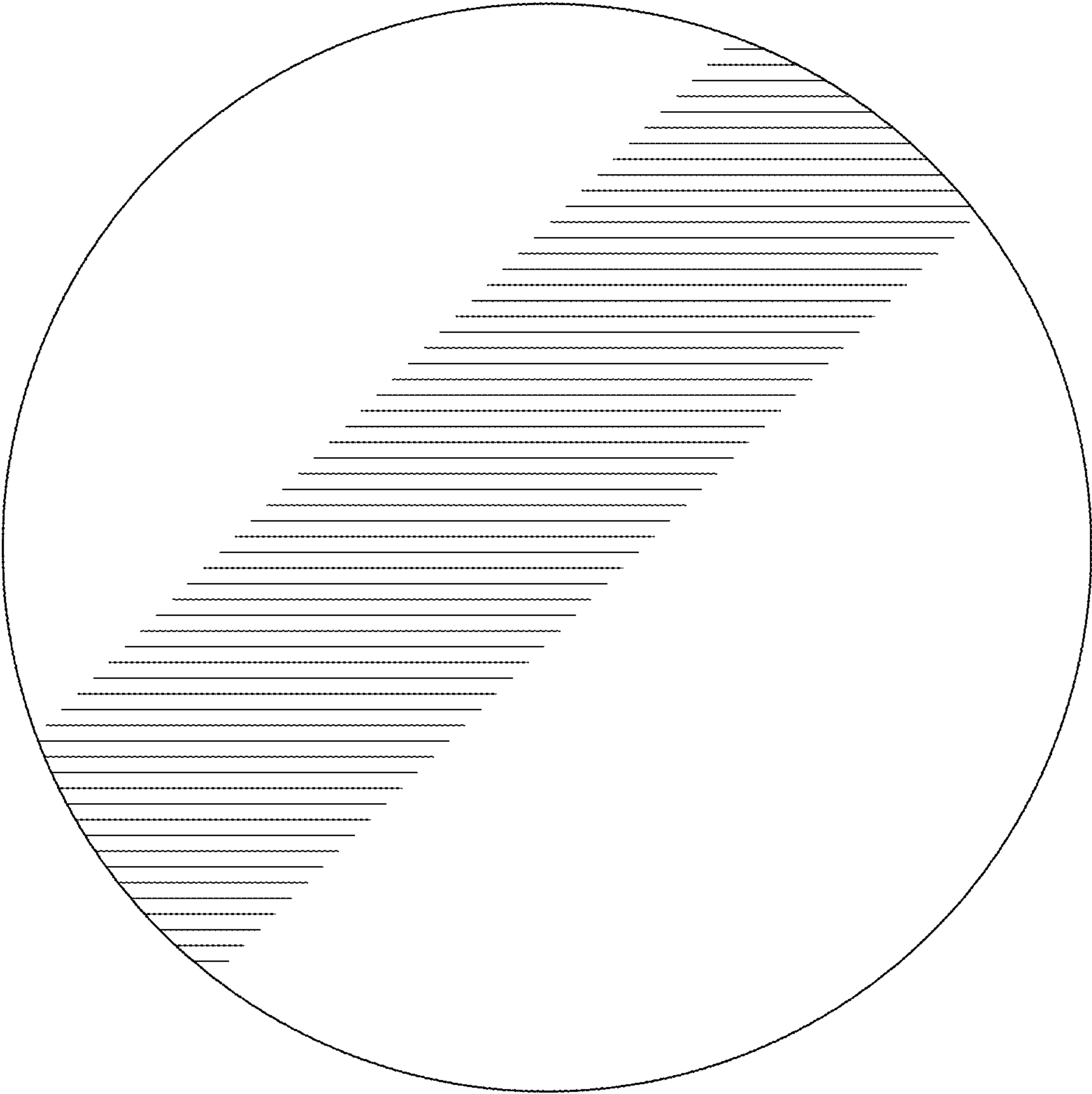


Fig.7