



US00D902409S

(12) **United States Design Patent** (10) **Patent No.:** **US D902,409 S**
Wilson et al. (45) **Date of Patent:** **** Nov. 17, 2020**

(54) **LINGUAL TUBE**
(71) Applicant: **RMO, INC.**, Denver, CO (US)
(72) Inventors: **Robert C. Wilson**, Winchester, MA (US); **Robert W. Wilson**, Lynnfield, MA (US); **Antoun H. Zakhem**, Highlands Ranch, CO (US); **Leon W. Laub**, Fort Collins, CO (US); **Cassius Hodson**, Conifer, CO (US); **Nam Trinh**, Highlands Ranch, CO (US)
(73) Assignee: **RMO, INC.**, Denver, CO (US)
(**) Term: **15 Years**
(21) Appl. No.: **29/668,598**
(22) Filed: **Oct. 31, 2018**
(51) **LOC (12) Cl.** **24-02**
(52) **U.S. Cl.**
USPC **D24/180**
(58) **Field of Classification Search**
USPC D24/176-182; 433/11, 17-22
CPC .. A61C 7/00; A61C 7/12; A61C 7/143; A61C 7/145; A61C 7/16; A61C 7/28; A61C 7/282
See application file for complete search history.

(56) **References Cited**
U.S. PATENT DOCUMENTS
3,262,207 A * 7/1966 Kesling A61C 7/287
D24/180
3,438,132 A 4/1969 Rubin
4,354,834 A 10/1982 Wilson
4,382,781 A * 5/1983 Grossman A61C 7/282
433/17
4,571,179 A 2/1986 Balenseifen
4,741,696 A 5/1988 Cetlin
4,799,883 A * 1/1989 Stoller A61C 7/12
433/11
4,897,035 A 1/1990 Green

D311,442 S * 10/1990 Collins, Jr. D24/180
5,399,087 A 3/1995 Arndt
6,086,364 A 7/2000 Brunson
6,183,250 B1 * 2/2001 Kanno A61C 7/28
433/17
9,554,875 B2 1/2017 Gualano
(Continued)

OTHER PUBLICATIONS

Official Action for Australia Patent Application No. 201912310, dated Jun. 16, 2019 3 pages.
(Continued)

Primary Examiner — Wan Laymon
(74) *Attorney, Agent, or Firm* — Sheridan Ross P.C.

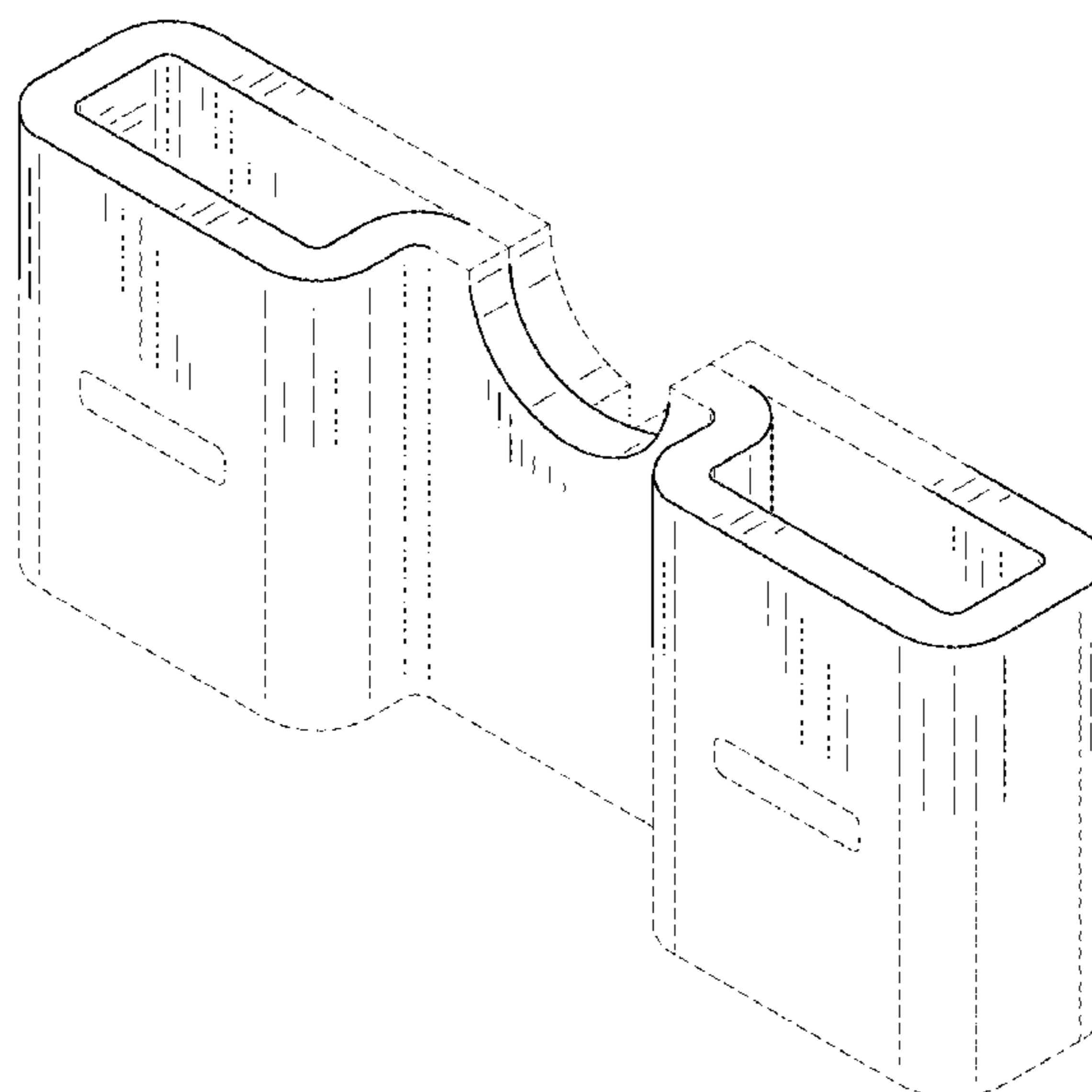
(57) **CLAIM**

The ornamental design for a lingual tube, as shown and described.

DESCRIPTION

FIG. 1 is a top front perspective view of a lingual tube according to the claimed design;
FIG. 2 is a bottom back perspective view of the lingual tube of FIG. 1;
FIG. 3 is a front elevation view of the lingual tube of FIG. 1;
FIG. 4 is a back elevation view of the lingual tube of FIG. 1;
FIG. 5 is a right side elevation view of the lingual tube of FIG. 1, the left side being identical thereto;
FIG. 6 is a top plan view of the lingual tube of FIG. 1; and,
FIG. 7 is a bottom plan view of the lingual tube of FIG. 1.
The broken lines in the figures are for the purposes of illustrating portions of the lingual tube or environmental structure that form no part of the claimed design.

1 Claim, 6 Drawing Sheets



(56)

References Cited

U.S. PATENT DOCUMENTS

2002/0187453 A1* 12/2002 Clark A61C 7/00
433/18
2012/0129119 A1* 5/2012 Oda A61C 7/30
433/11

OTHER PUBLICATIONS

Official Action (with English translation) for Japanese Patent Application No. 2019-009367, dated Aug. 6, 2019, 4 pages.

“Wilson 3D,” Rocky Mountain Orthodontics, Date Unknown, 2 pages.

“Wilson 3D Complete Guide to RM 3D First Phase Fixed/Removable Modular Orthodontics,” Rocky Mountain Orthodontics, Date Unknown, 28 pages.

Wilson et al., “Force Systems Mechanotherapy Manual with 3D Modular 1st Phase Fixed/Removables,” Rocky Mountain Orthodontics, 1989, 171 pages.

Official Action for Canadian Patent Application No. 187171, dated Apr. 20, 2020, 2 pages.

Decision to Grant (no English translation available) for Japanese Patent Application No. 2019-009367, dated Nov. 19, 2019, 3 pages.

Decision for Registration (with English translation) for Korean Patent Application No. 30-2019-0019961 (M001), dated Dec. 3, 2019, 3 pages.

Decision for Registration (with English translation) for Korean Patent Application No. 30-2019-0019961 (M002), dated Dec, 3, 2019, 3 pages.

* cited by examiner

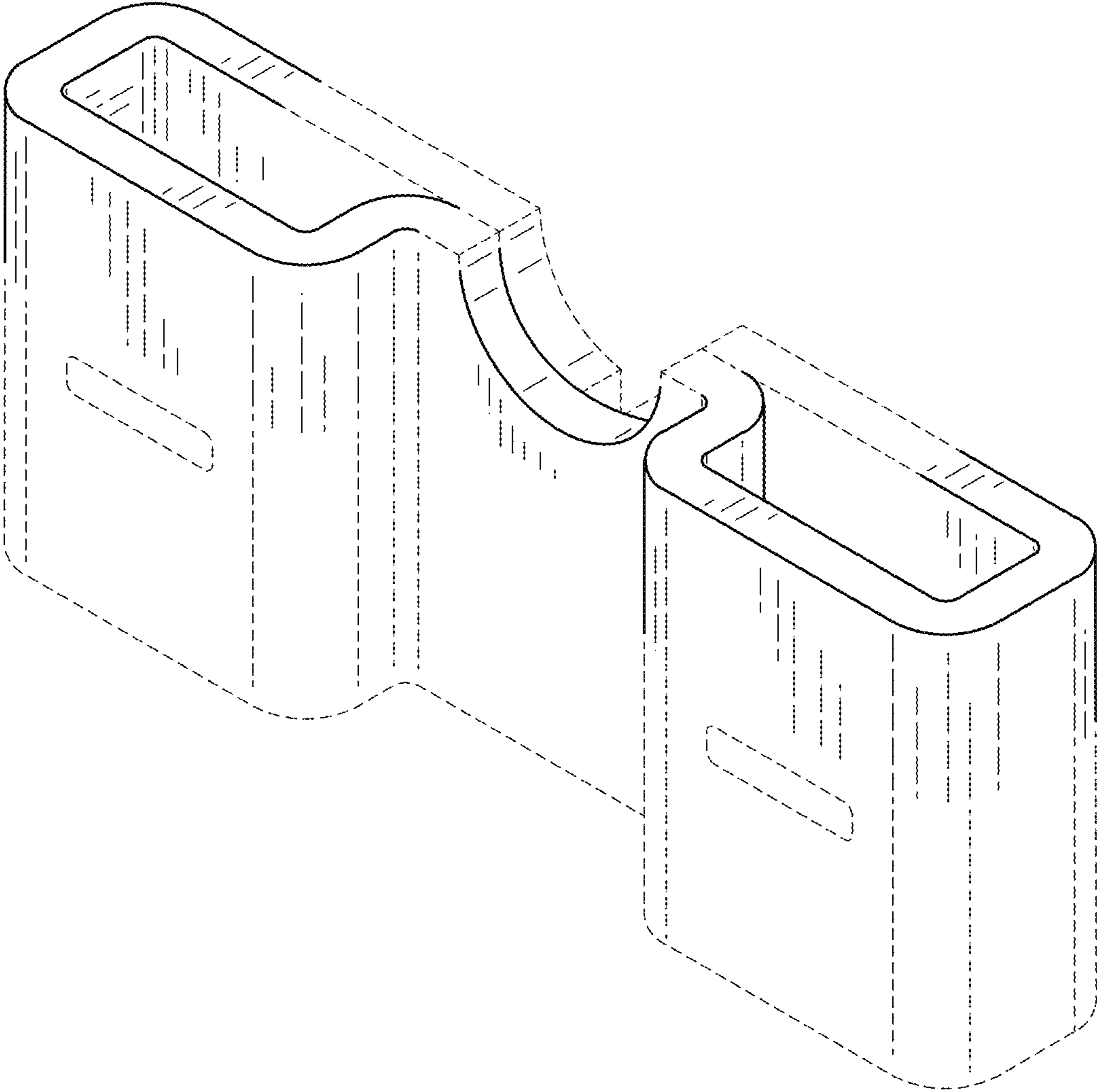


FIG.1

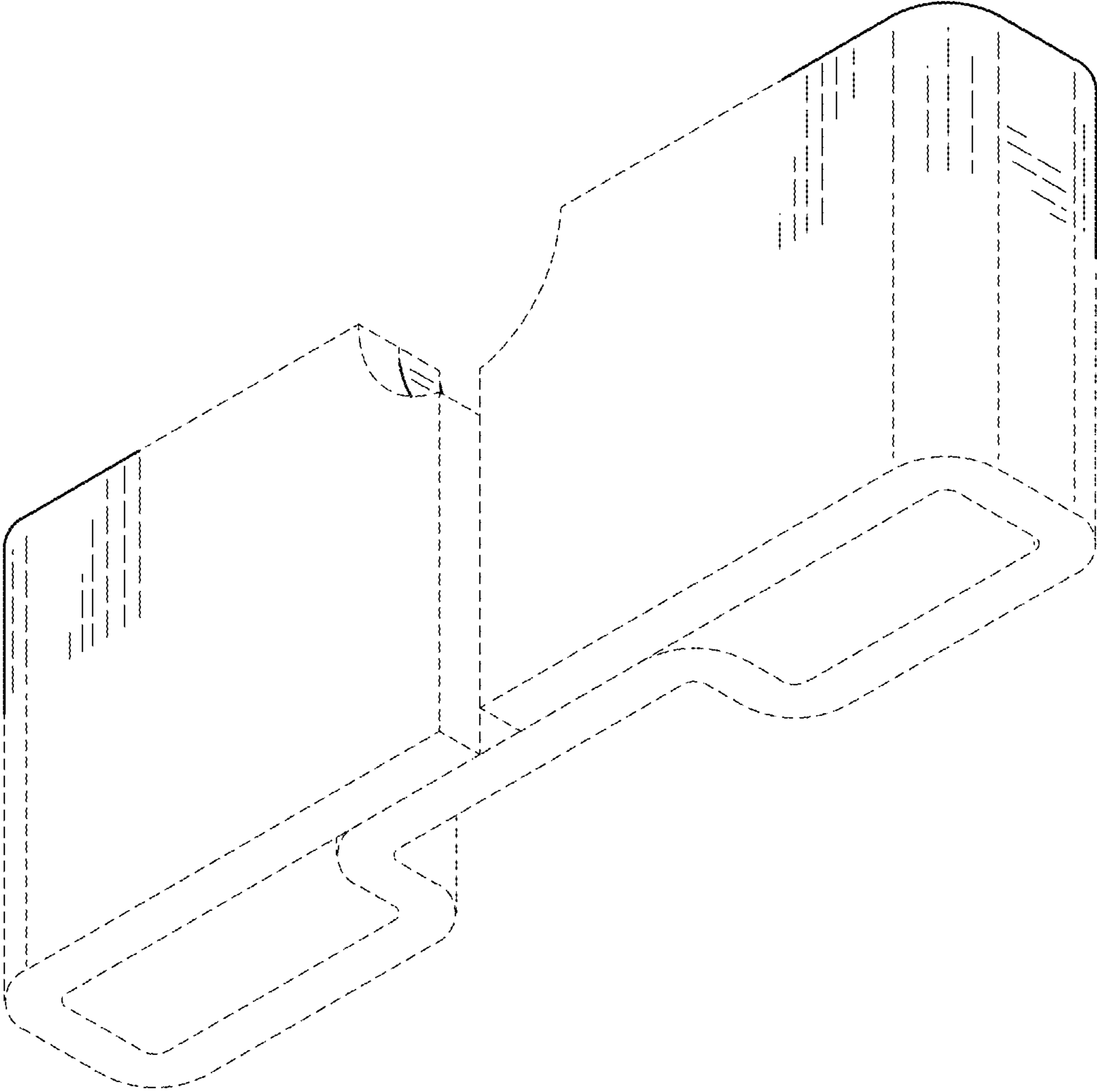


FIG.2

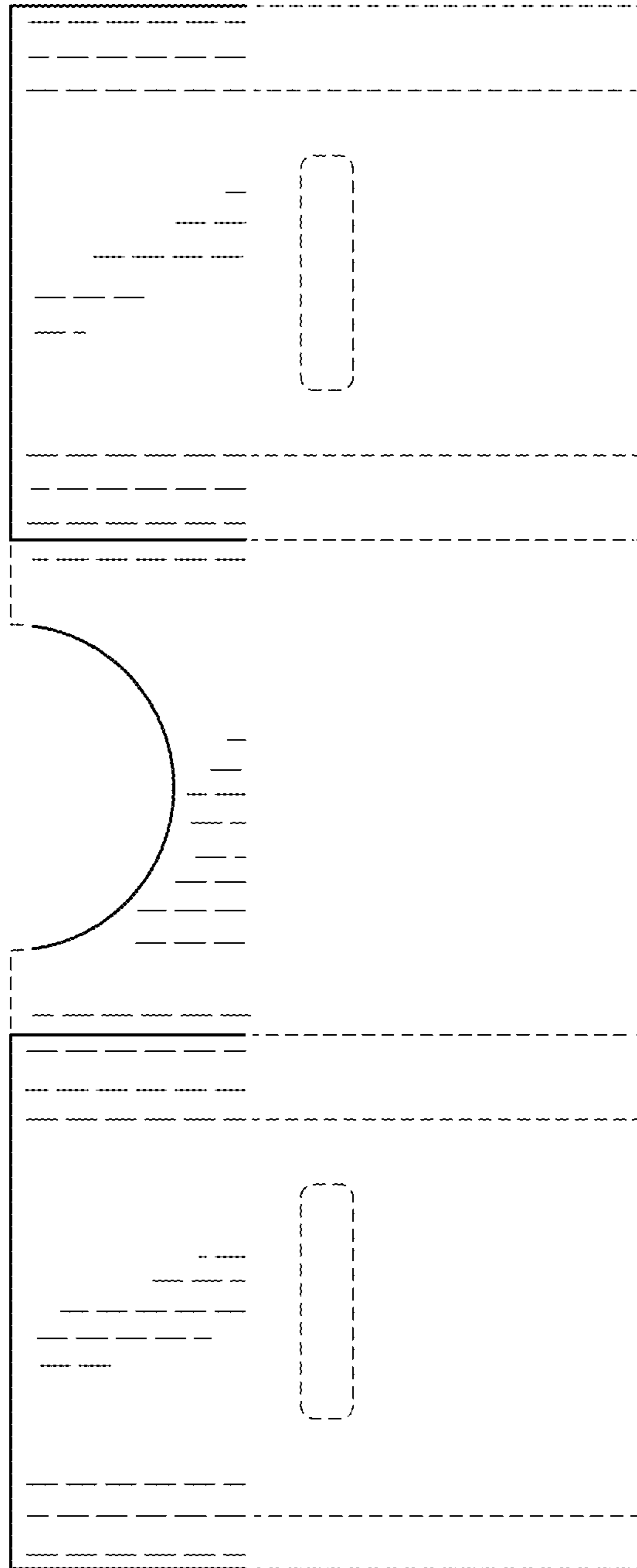


FIG. 3

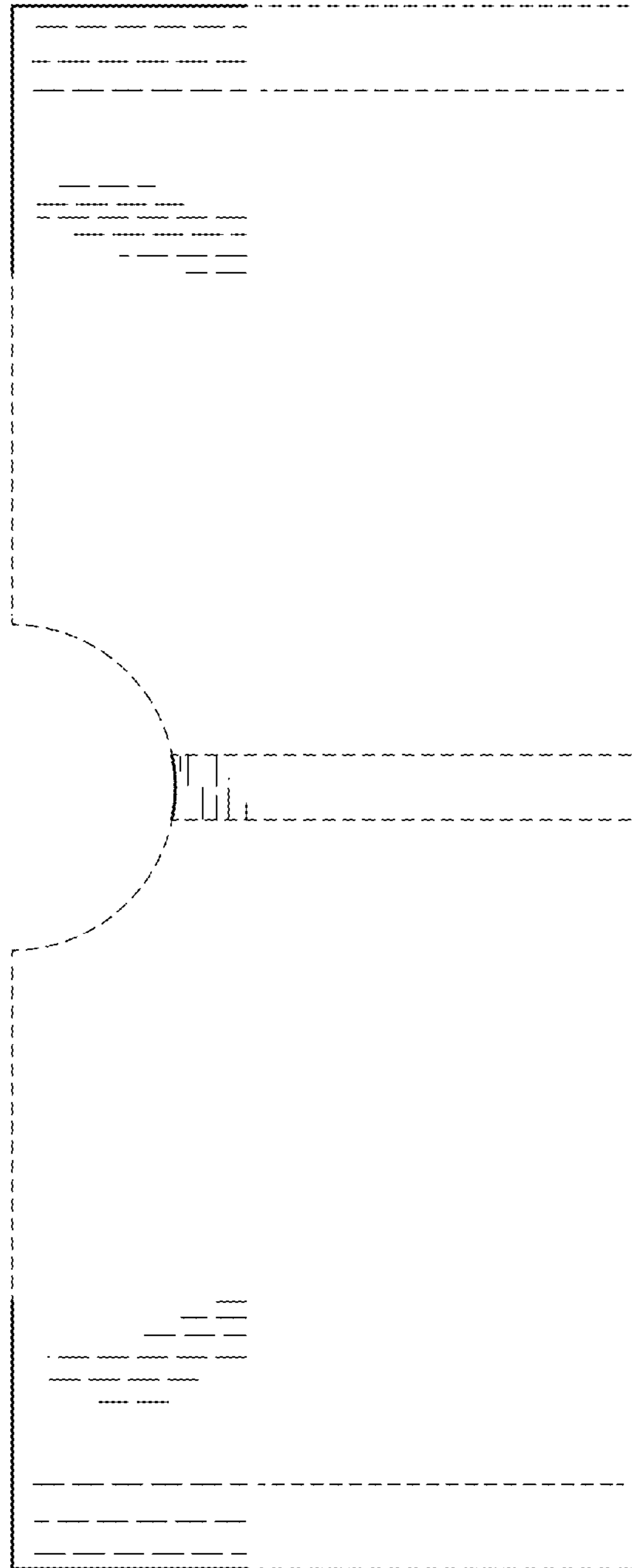


FIG. 4

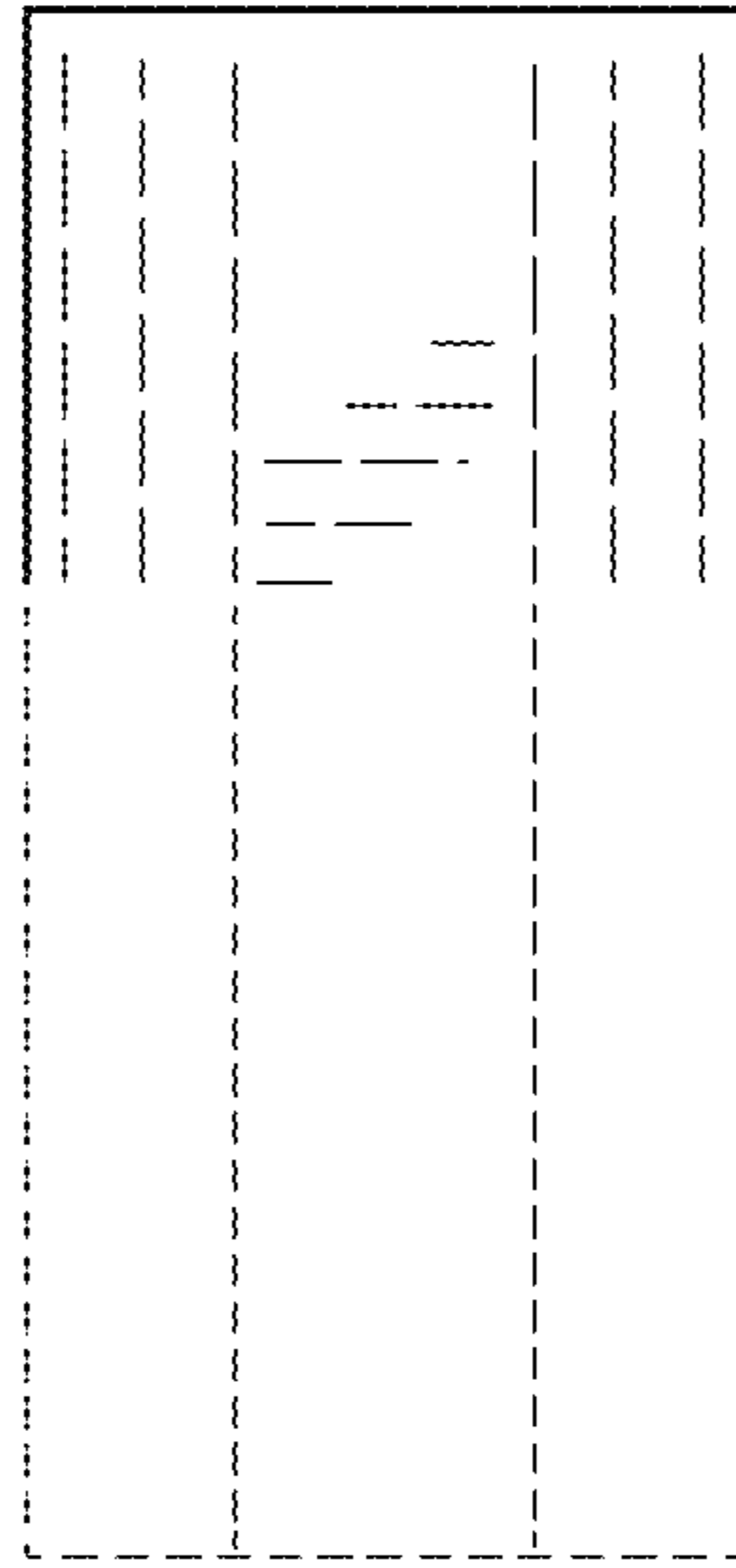


FIG.5

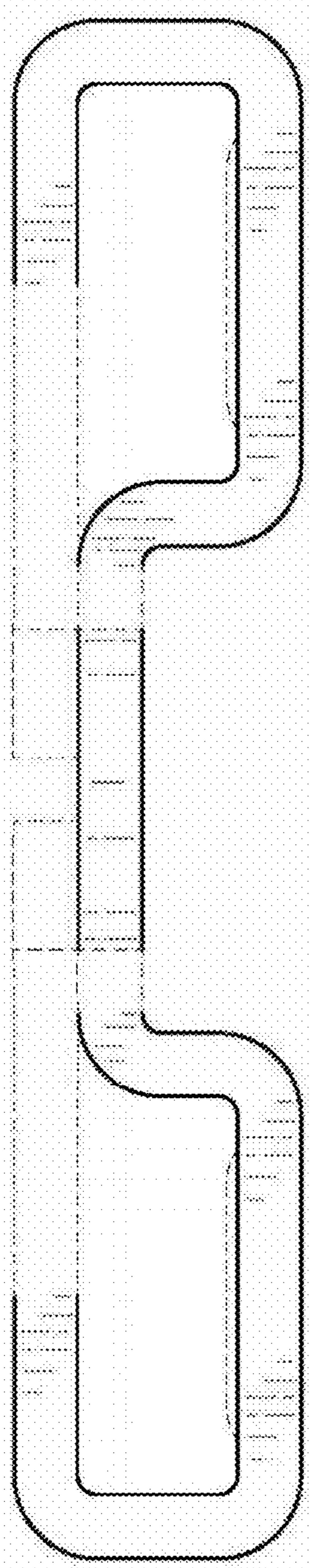


FIG. 6



FIG. 7