



US00D902406S

(12) **United States Design Patent**
Fujii et al.

(10) **Patent No.:** **US D902,406 S**

(45) **Date of Patent:** **** Nov. 17, 2020**

- (54) **TROCAR**
- (71) Applicant: **KYOCERA CORPORATION**, Kyoto (JP)
- (72) Inventors: **Takaharu Fujii**, Kyoto (JP); **Takashi Saotome**, Kyoto (JP); **Hiroki Taoka**, Kyoto (JP)
- (73) Assignee: **Kyocera Corporation**, Kyoto (JP)
- (**) Term: **15 Years**
- (21) Appl. No.: **29/662,216**
- (22) Filed: **Sep. 4, 2018**

- D774,192 S * 12/2016 Fuchs D24/146
- D779,671 S * 2/2017 Fuchs D24/147
- D782,076 S * 3/2017 Teufel D25/146
- D785,175 S * 4/2017 Zhou D24/146
- D790,700 S * 6/2017 Zhou D24/146
- D794,791 S * 8/2017 Zhou D24/146
- D797,288 S 9/2017 Zhou et al.
- D797,289 S * 9/2017 Zhou D24/146
- D800,307 S * 10/2017 DeNeui D24/146
- D813,389 S * 3/2018 Zhou D24/146

(Continued)

Primary Examiner — George D. Kirschbaum
(74) *Attorney, Agent, or Firm* — Volpe Koenig

(57) **CLAIM**

The ornamental design for trocar, as shown and described.

Related U.S. Application Data

- (63) Continuation-in-part of application No. 35/502,437, filed on Aug. 15, 2016 (U.S. filing date under 35 U.S.C. 384), and having an international filing date of Aug. 15, 2016, now abandoned.

Foreign Application Priority Data

- (30) Feb. 17, 2016 (JP) 2016-003371
- (51) **LOC (12) Cl.** **24-02**
- (52) **U.S. Cl.**
USPC **D24/146**
- (58) **Field of Classification Search**
USPC D24/146, 147
See application file for complete search history.

References Cited

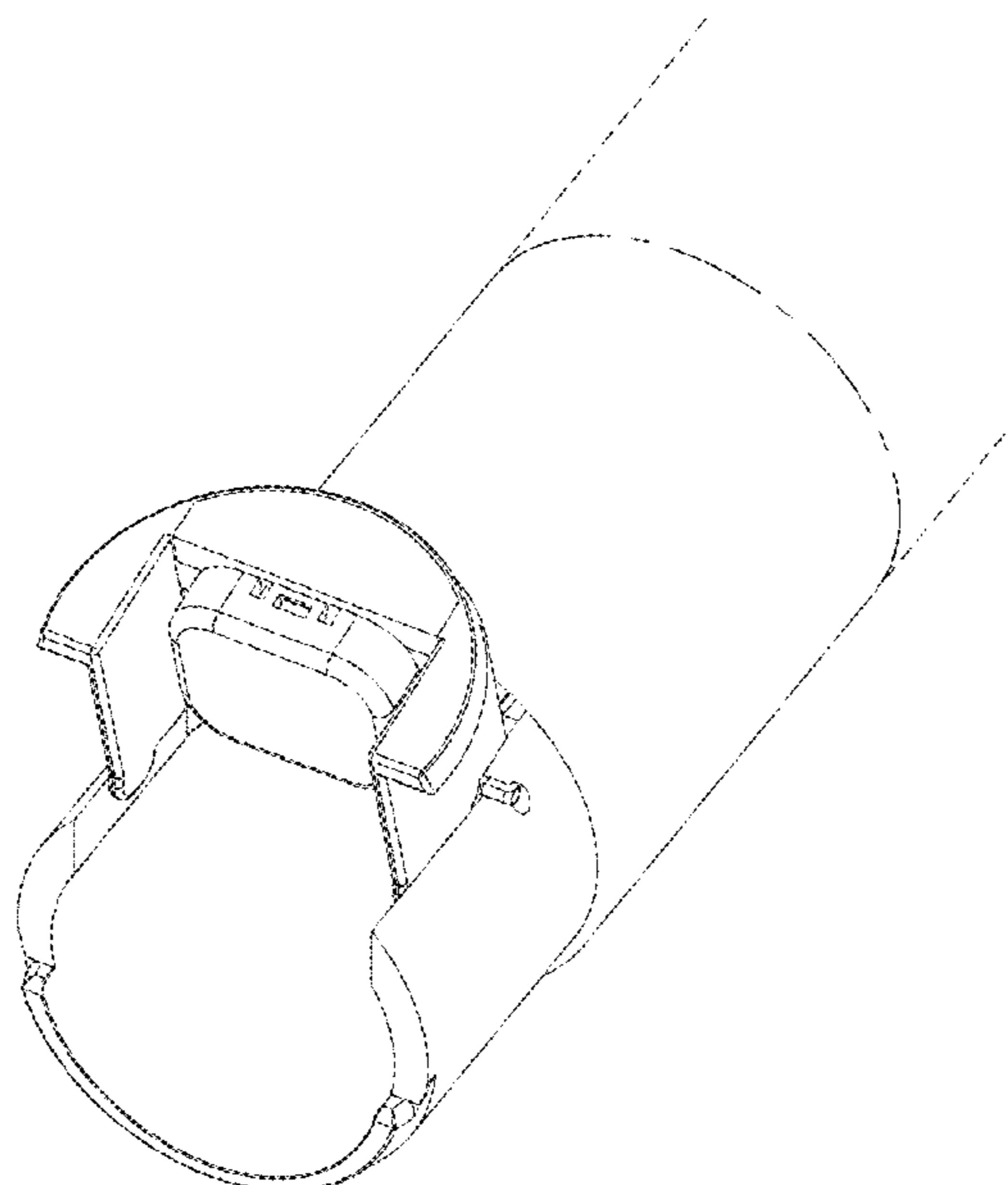
U.S. PATENT DOCUMENTS

- D538,429 S 3/2007 Wolf
- D735,331 S 7/2015 Mastri et al.
- D737,442 S 8/2015 Hasebe
- D753,303 S * 4/2016 Dannaher D24/146

DESCRIPTION

- FIG. 1.1: Front
 - FIG. 1.2: Right
 - FIG. 1.3: Left
 - FIG. 1.4: Top
 - FIG. 1.5: Bottom
 - FIG. 1.6: Perspective
 - FIG. 1.7: Front
 - FIG. 1.8: Right
 - FIG. 1.9: Left
 - FIG. 1.10: Top
 - FIG. 1.11: Bottom
 - FIG. 1.12: Perspective
 - FIG. 1.13: Enlarged front view of No. 1.7
 - FIG. 1.14: Enlarged right view of the front end portion
 - FIG. 1.15: Enlarged top view of the front end portion
 - FIG. 1.16: Enlarged perspective view of the top end portion; and,
 - FIG. 1.17: Reference view showing state in use.
- The broken lines depict unclaimed environmental subject matter.

1 Claim, 17 Drawing Sheets



(56)

References Cited

U.S. PATENT DOCUMENTS

D814,035 S	*	3/2018	Fuchs	D24/147
D814,036 S	*	3/2018	Fuchs	D24/147
D828,560 S	*	9/2018	Fujii	D24/146
D829,906 S	*	10/2018	Fujii	D24/146
D842,473 S	*	3/2019	Fuchs	D24/147

* cited by examiner

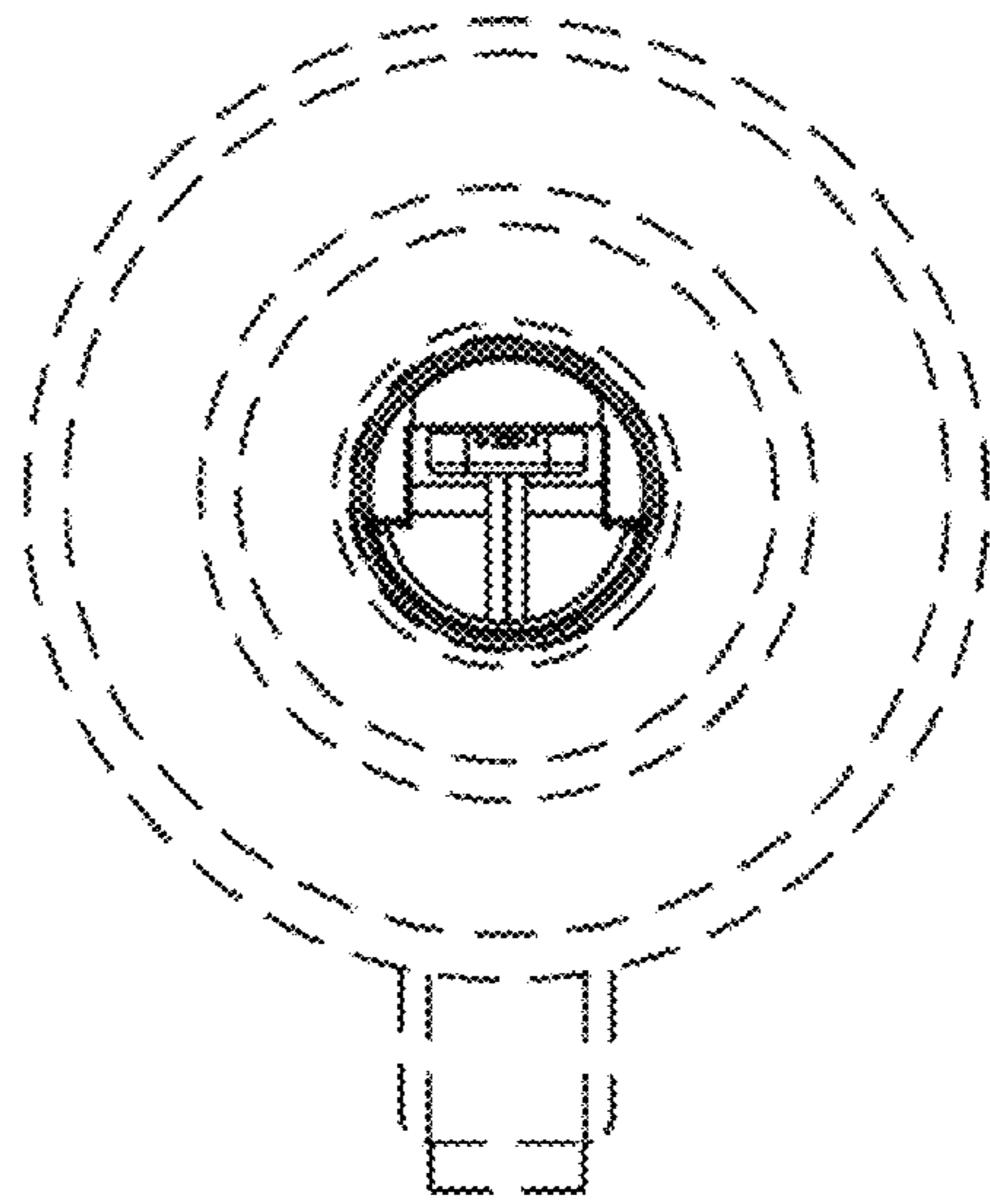


FIG. 1

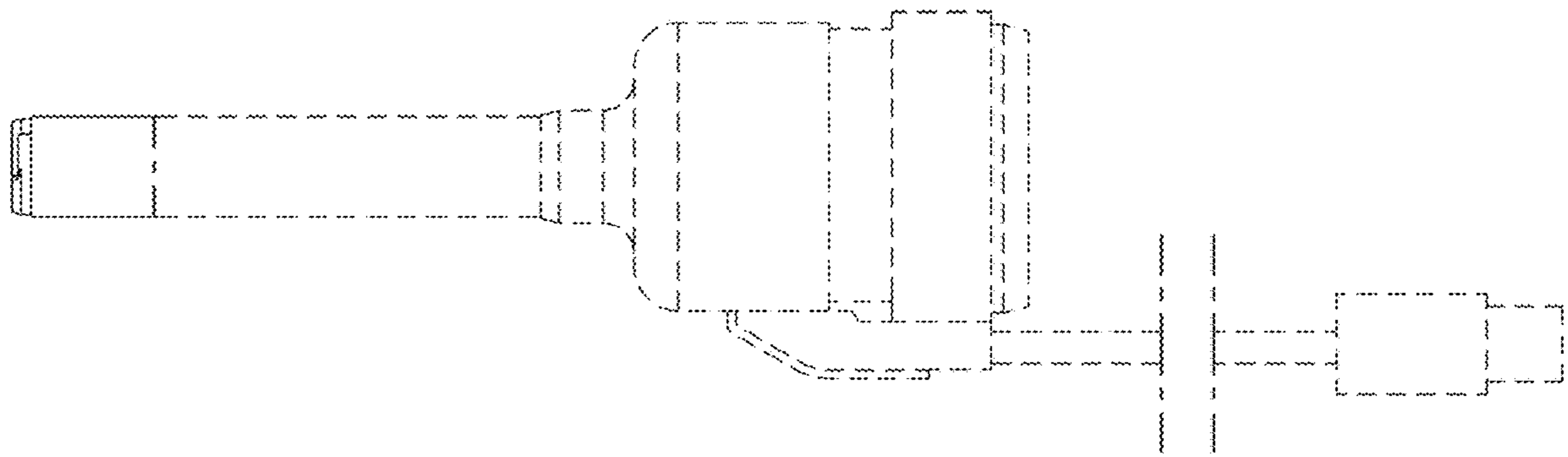


FIG. 2

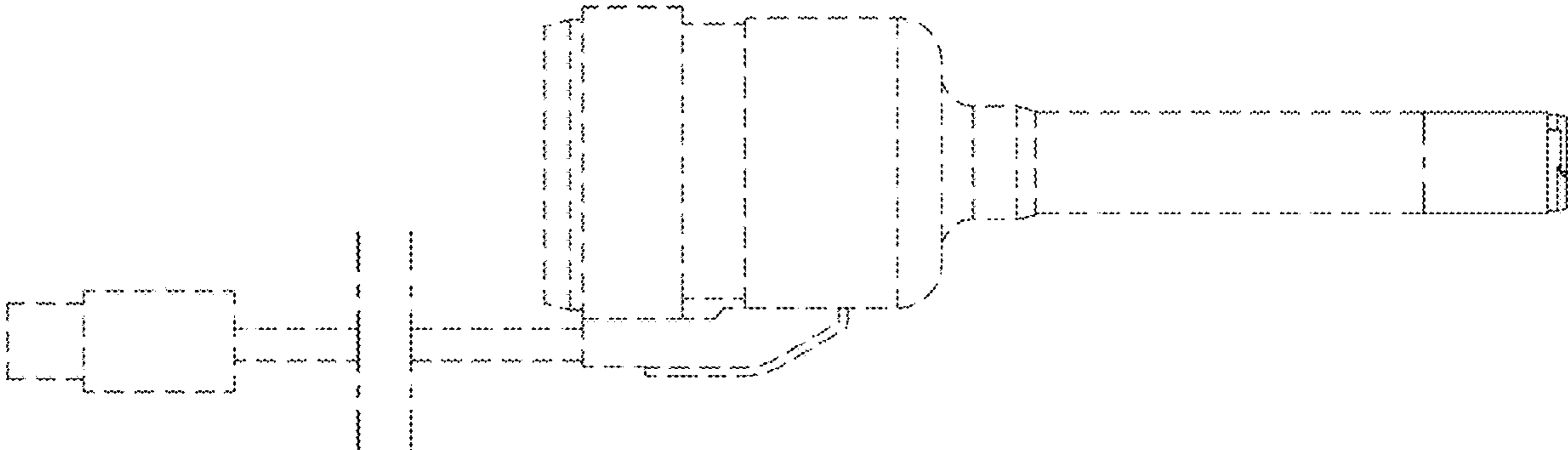


FIG. 3

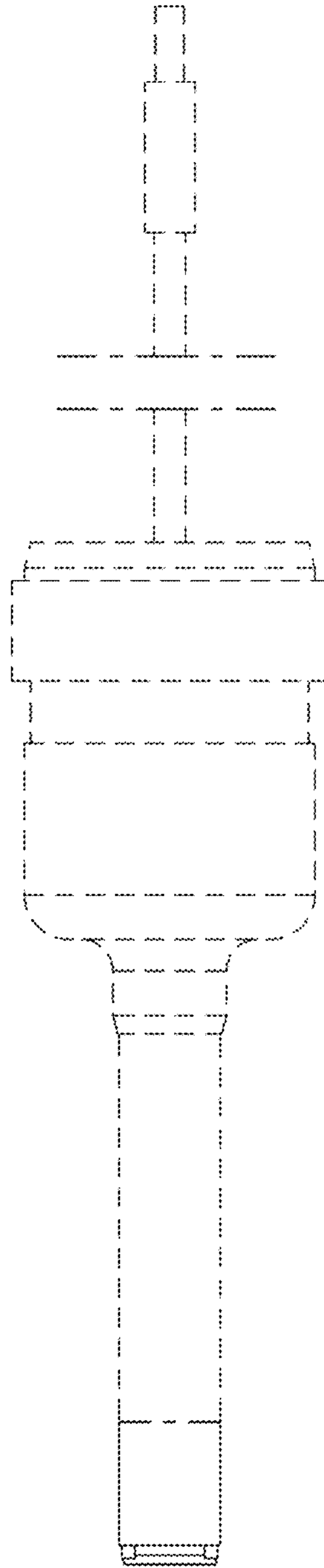


FIG. 4

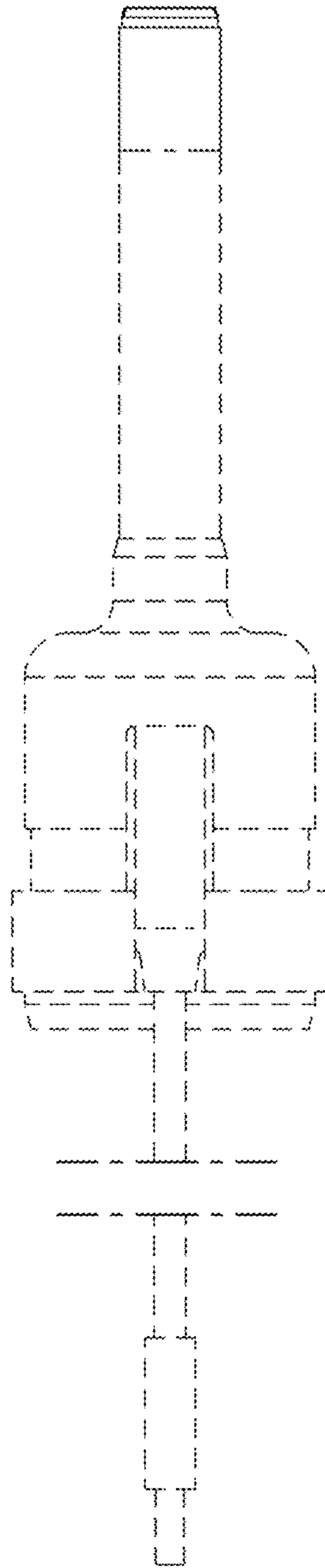


FIG. 5

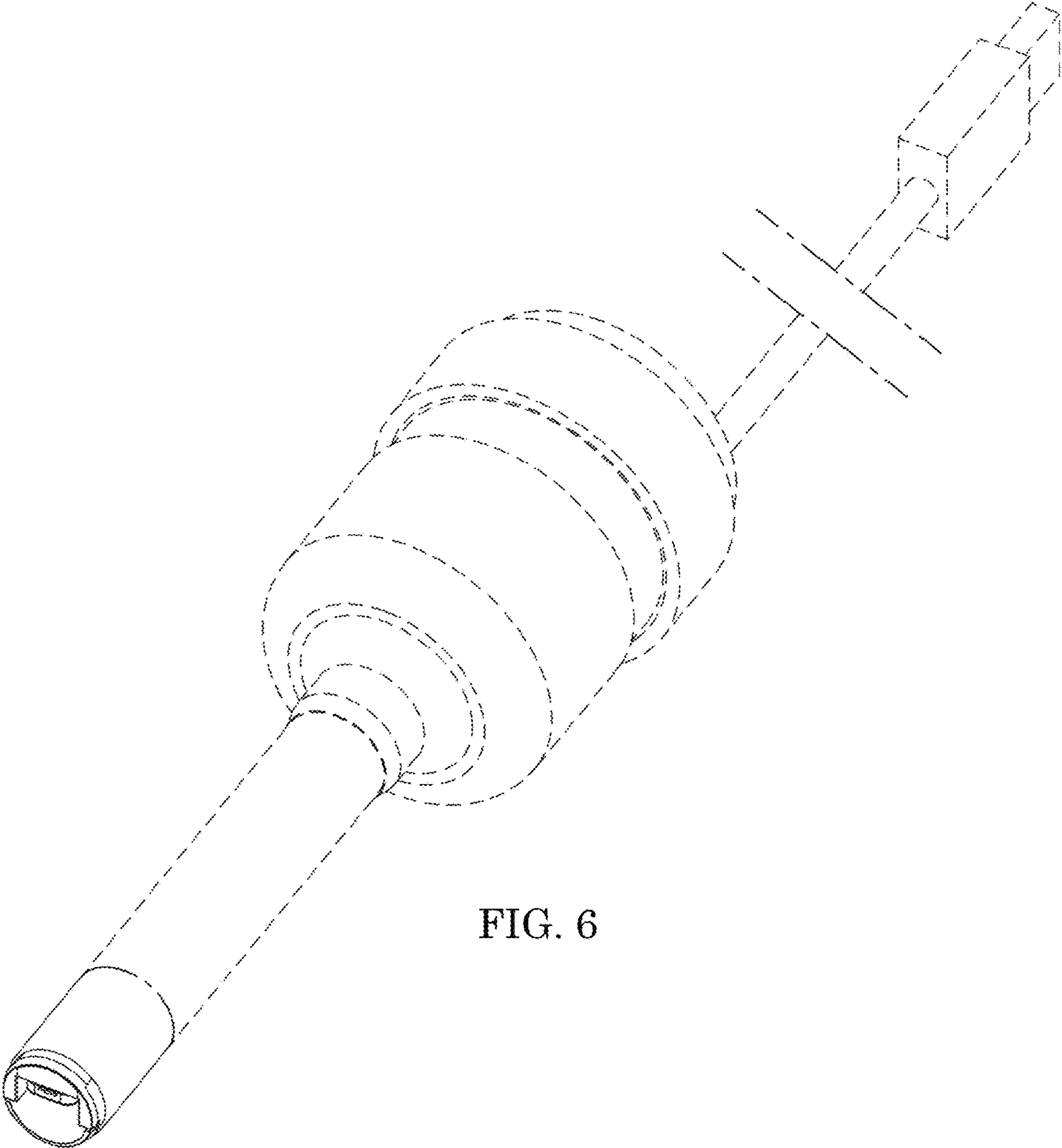


FIG. 6

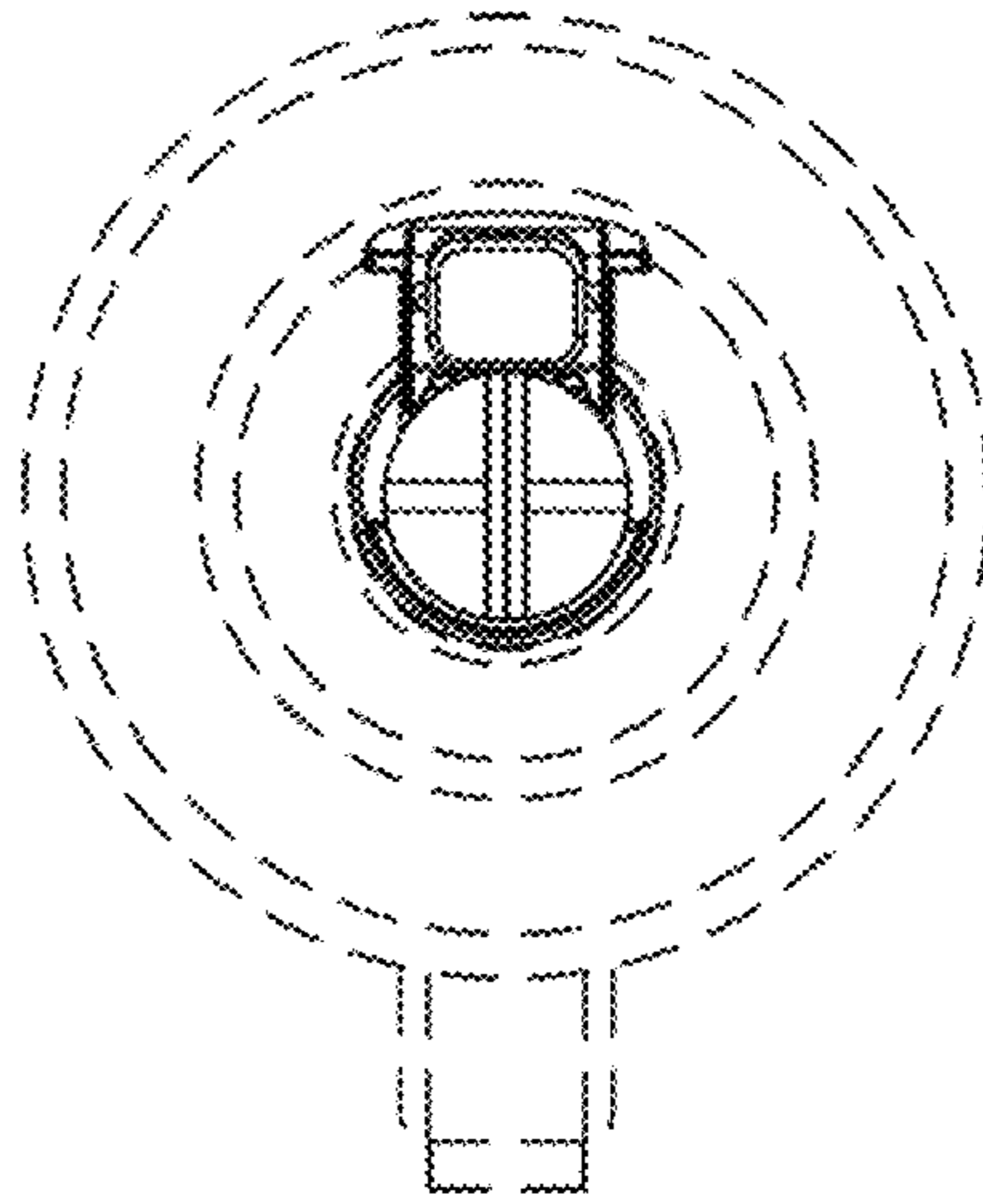


FIG. 7

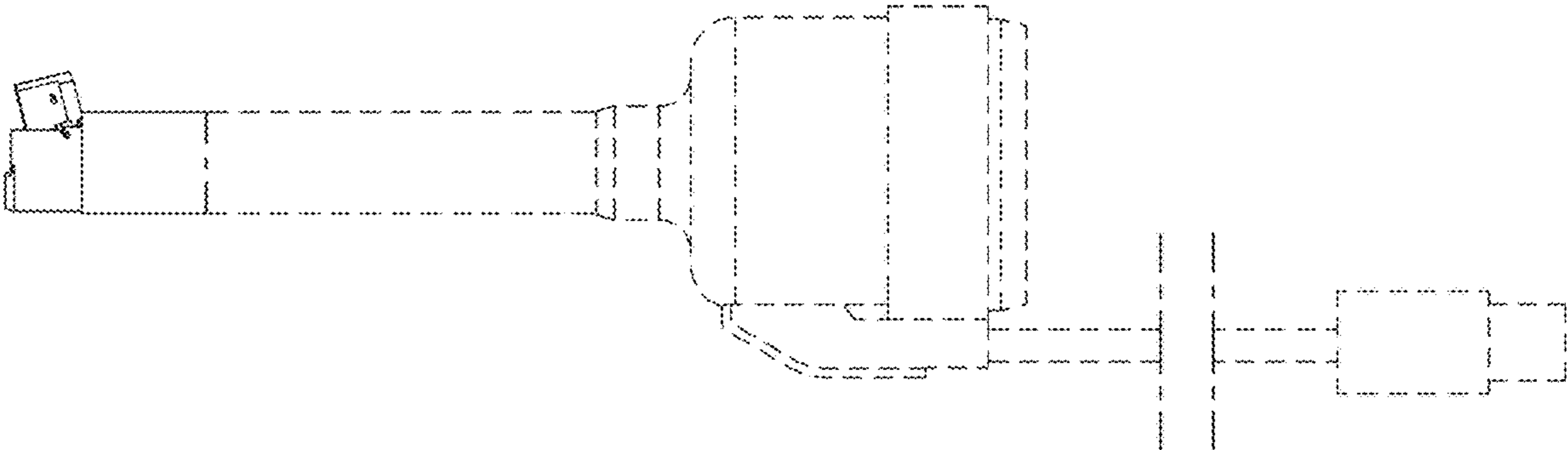


FIG. 8

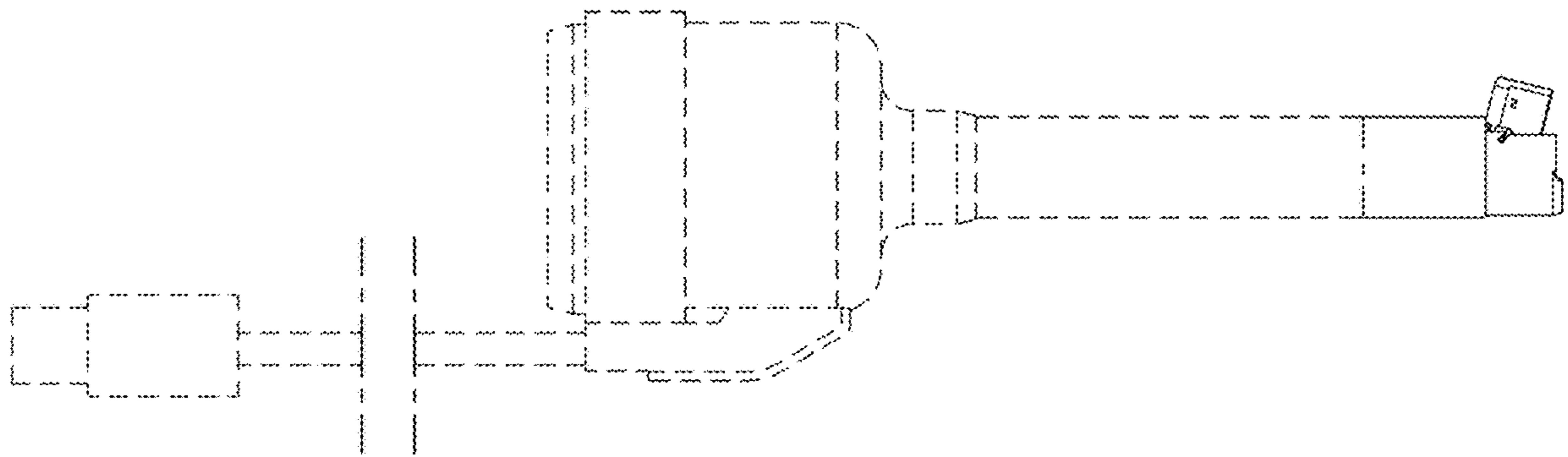


FIG. 9

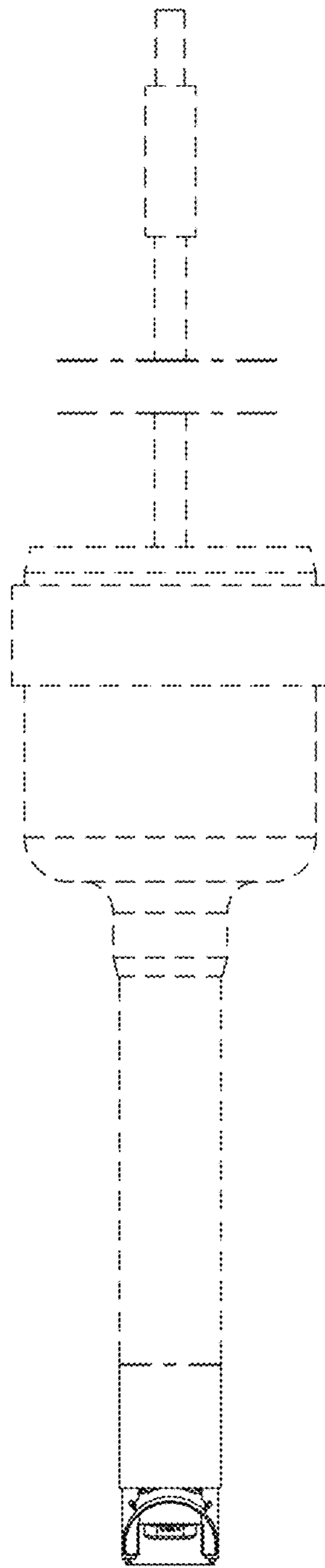


FIG. 10

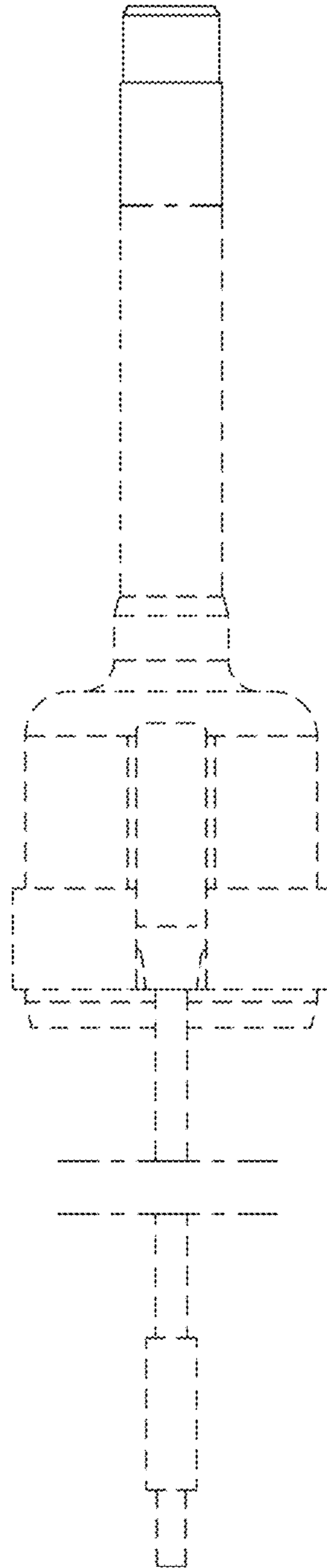


FIG. 11

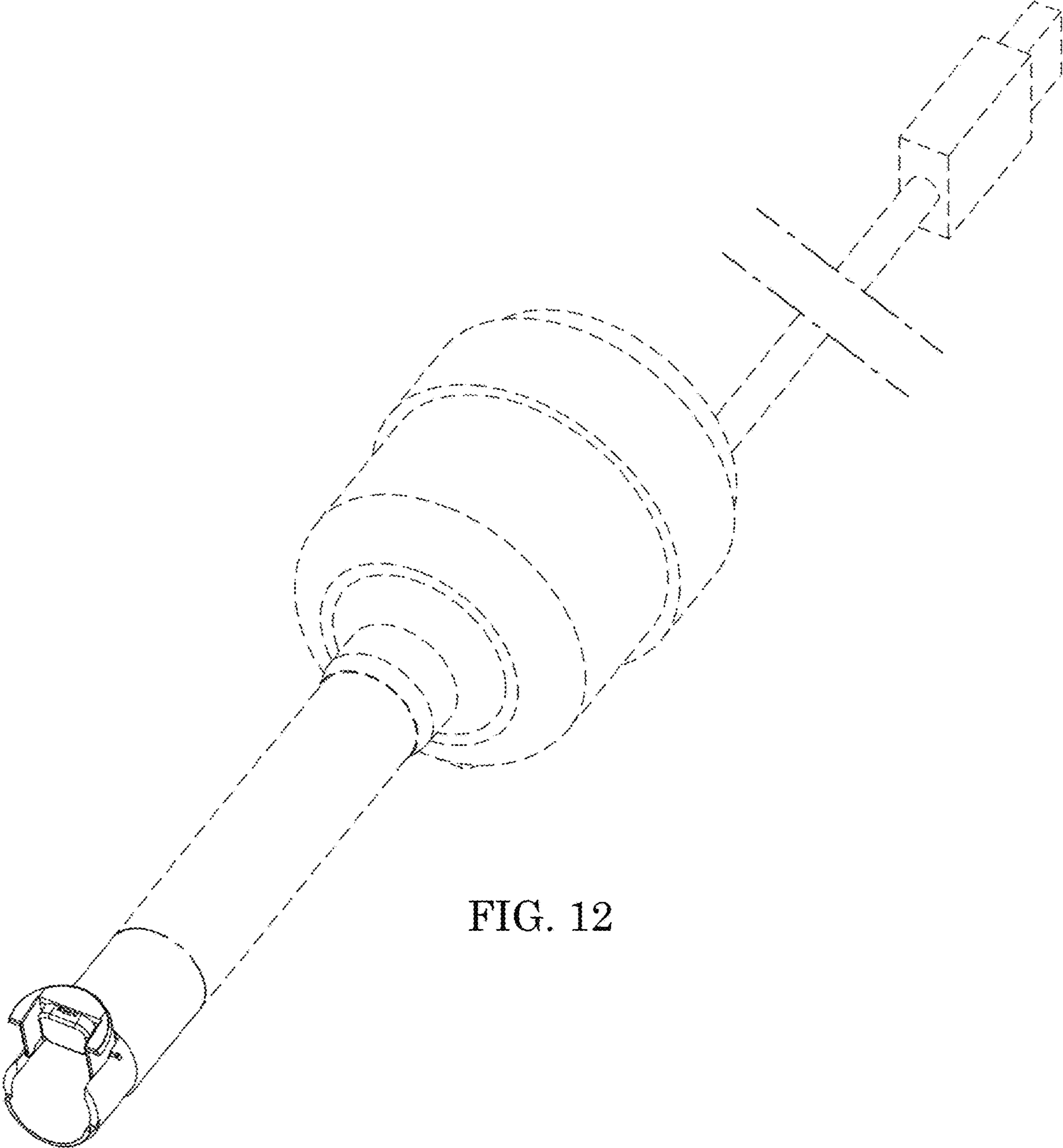


FIG. 12

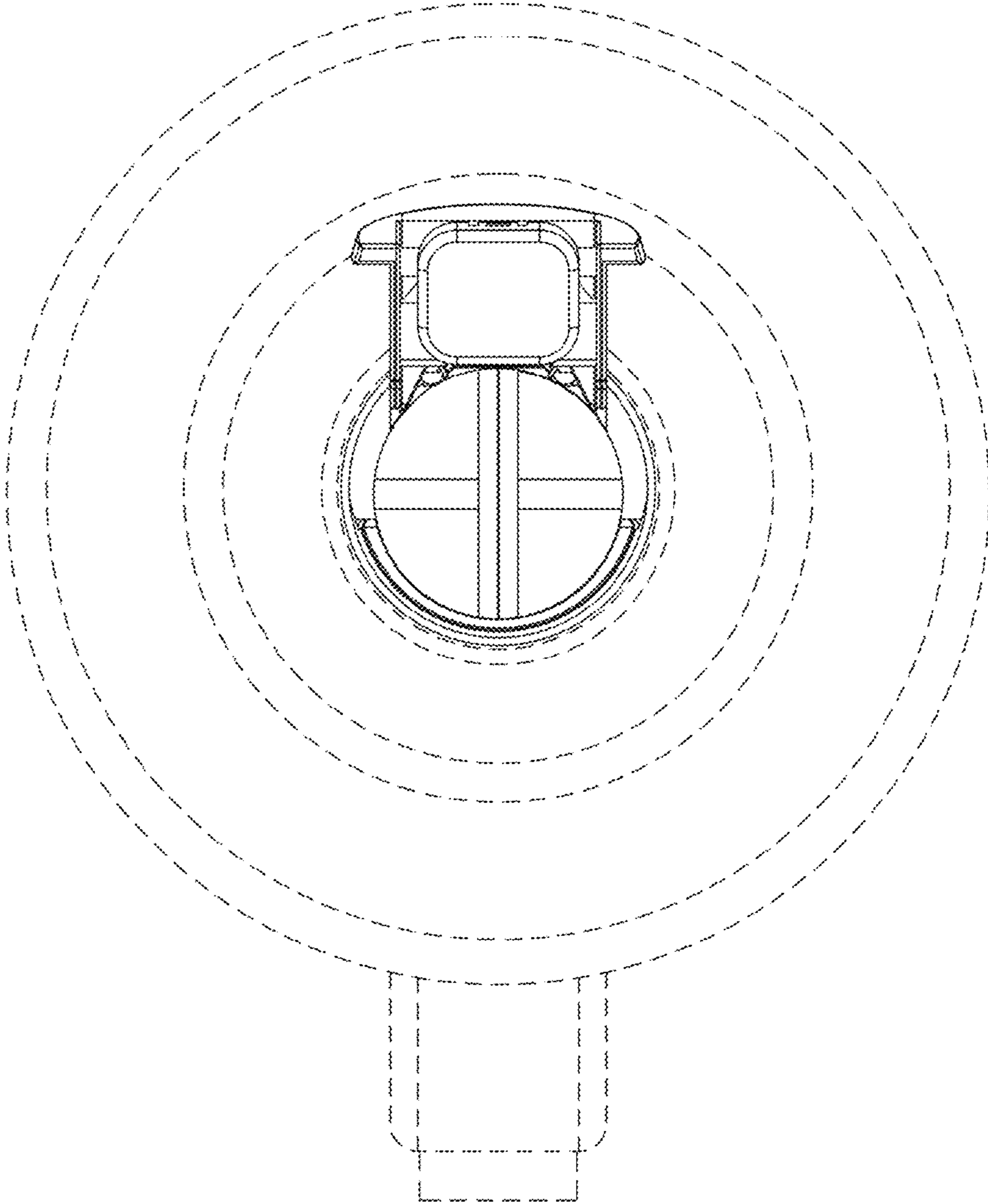


FIG. 13

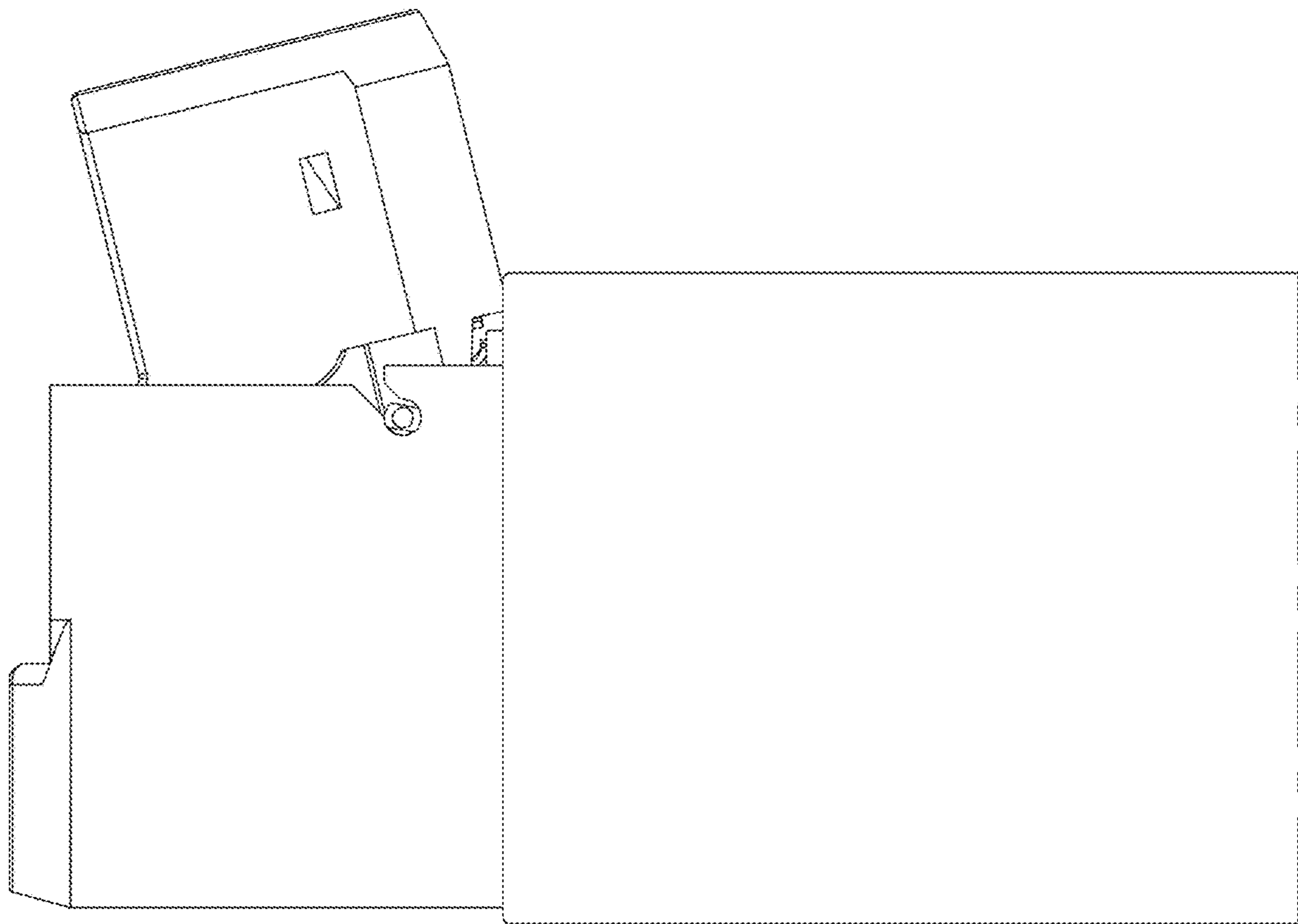


FIG. 14

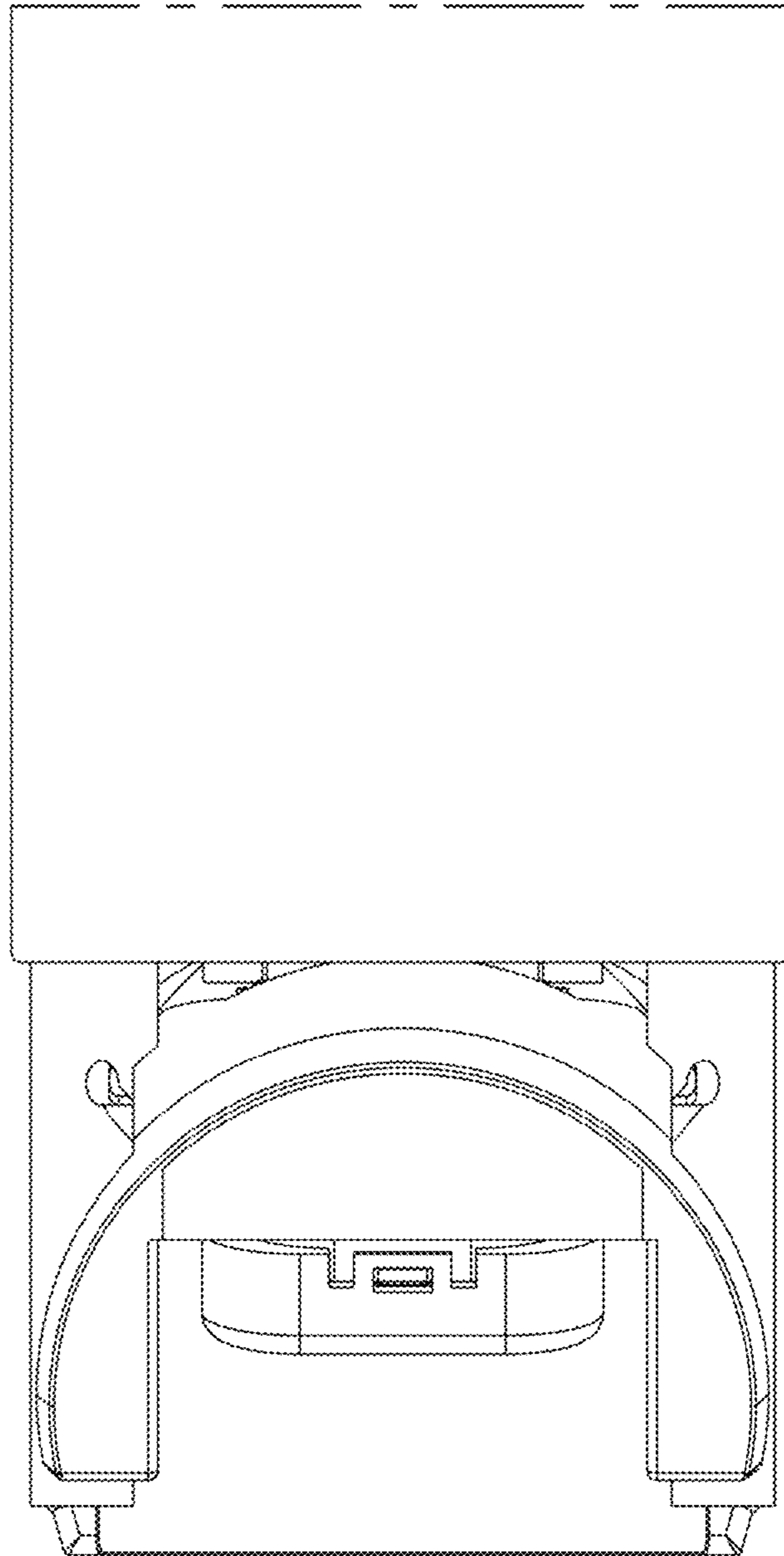


FIG. 15

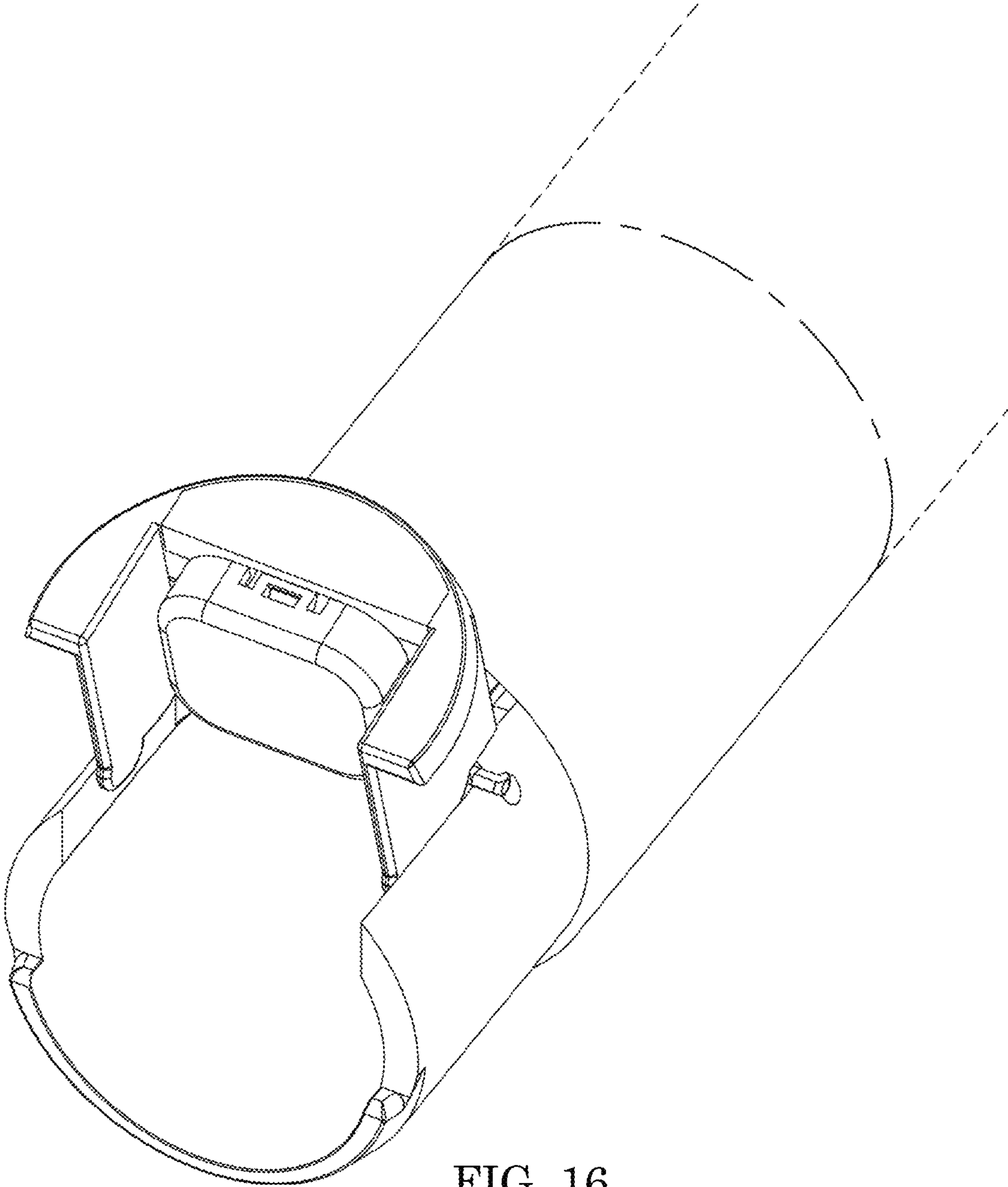


FIG. 16

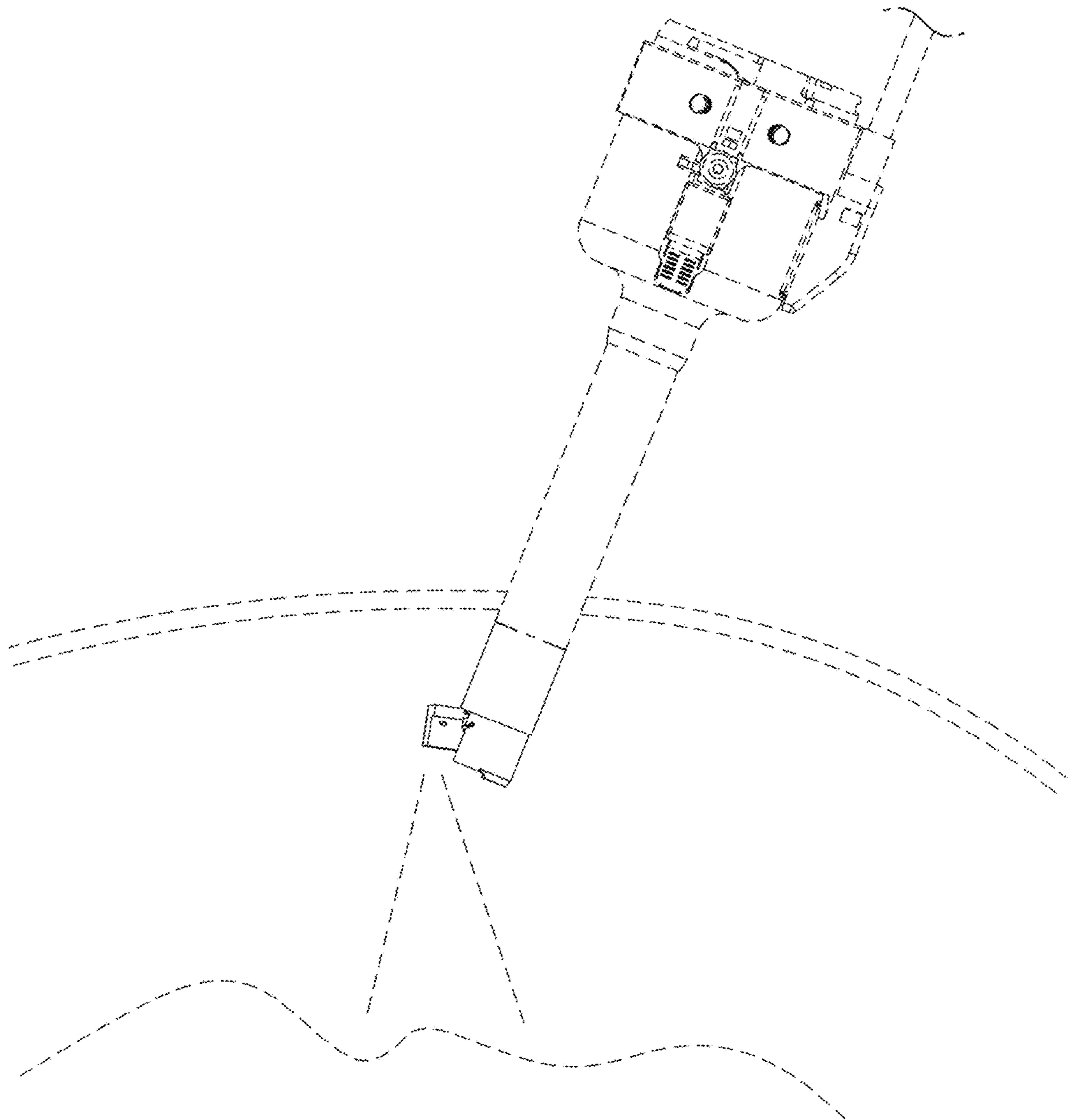


FIG. 17