



US00D902403S

(12) **United States Design Patent** (10) **Patent No.:** **US D902,403 S**  
**Marsot et al.** (45) **Date of Patent:** **\*\* Nov. 17, 2020**

(54) **HANDLE FOR A MEDICAL DEVICE**  
(71) Applicant: **Evalue, Inc.**, Menlo Park, CA (US)  
(72) Inventors: **Travis R. Marsot**, Mountain View, CA (US); **Randall S. Koplín**, Middleton, WI (US); **Justen D. England**, San Francisco, CA (US); **Patricia H. Ho**, Redwood City, CA (US); **Douglas S. Rodenkirch**, Sun Prairie, WI (US); **Christopher T. Strahm**, Deforest, WI (US)

5,871,493 A 2/1999 Sjostrom et al.  
5,964,717 A 10/1999 Gottlieb et al.  
6,139,214 A 10/2000 Zirps et al.  
7,666,204 B2 2/2010 Thornton et al.  
8,216,256 B2 7/2012 Raschdorf, Jr. et al.  
D668,334 S \* 10/2012 Makowski ..... D24/138  
D740,414 S \* 10/2015 Katsura ..... D24/133  
2005/0006432 A1 1/2005 Racenet et al.  
2006/0287643 A1 12/2006 Perlin

(Continued)

**FOREIGN PATENT DOCUMENTS**

GB 2222951 3/1990

**OTHER PUBLICATIONS**

U.S. Appl. No. 29/505,404, filed Oct. 9, 2015, Marsot et al.

(Continued)

*Primary Examiner* — Eliza Z Bennett-Hattan

(74) *Attorney, Agent, or Firm* — Baker Botts L.L.P.

(73) Assignee: **EVALVE, INC.**, Santa Clara, CA (US)

(\*\*) Term: **15 Years**

(21) Appl. No.: **29/633,930**

(22) Filed: **Jan. 17, 2018**

**Related U.S. Application Data**

(62) Division of application No. 29/505,404, filed on Oct. 9, 2015, now Pat. No. Des. 809,139.

(51) **LOC (12) Cl.** ..... **24-02**

(52) **U.S. Cl.**  
USPC ..... **D24/145**

(58) **Field of Classification Search**  
USPC ..... D24/146, 145, 147, 137, 138, 133, 108, D24/113

CPC .. A61F 2/95; A61F 2002/9517; A61F 2/2466; A61M 25/0136; A61M 37/0069; A61M 2210/125; A61M 313/00; A61B 2017/00243; A61B 2017/3488; A61B 2017/00027; A61B 5/042; A61B 17/2909; A61N 2001/058

See application file for complete search history.

(56) **References Cited**

**U.S. PATENT DOCUMENTS**

5,630,832 A 5/1997 Giordano et al.  
5,718,714 A 2/1998 Livneh

(57) **CLAIM**

The ornamental design for a handle for a medical device, as shown and described.

**DESCRIPTION**

FIG. 1 is a perspective view of a handle for a medical device, showing the new design.

FIG. 2 is a bottom perspective view thereof;

FIG. 3 is a top plan view thereof;

FIG. 4 is a bottom plan view thereof;

FIG. 5 is a left side elevation thereof;

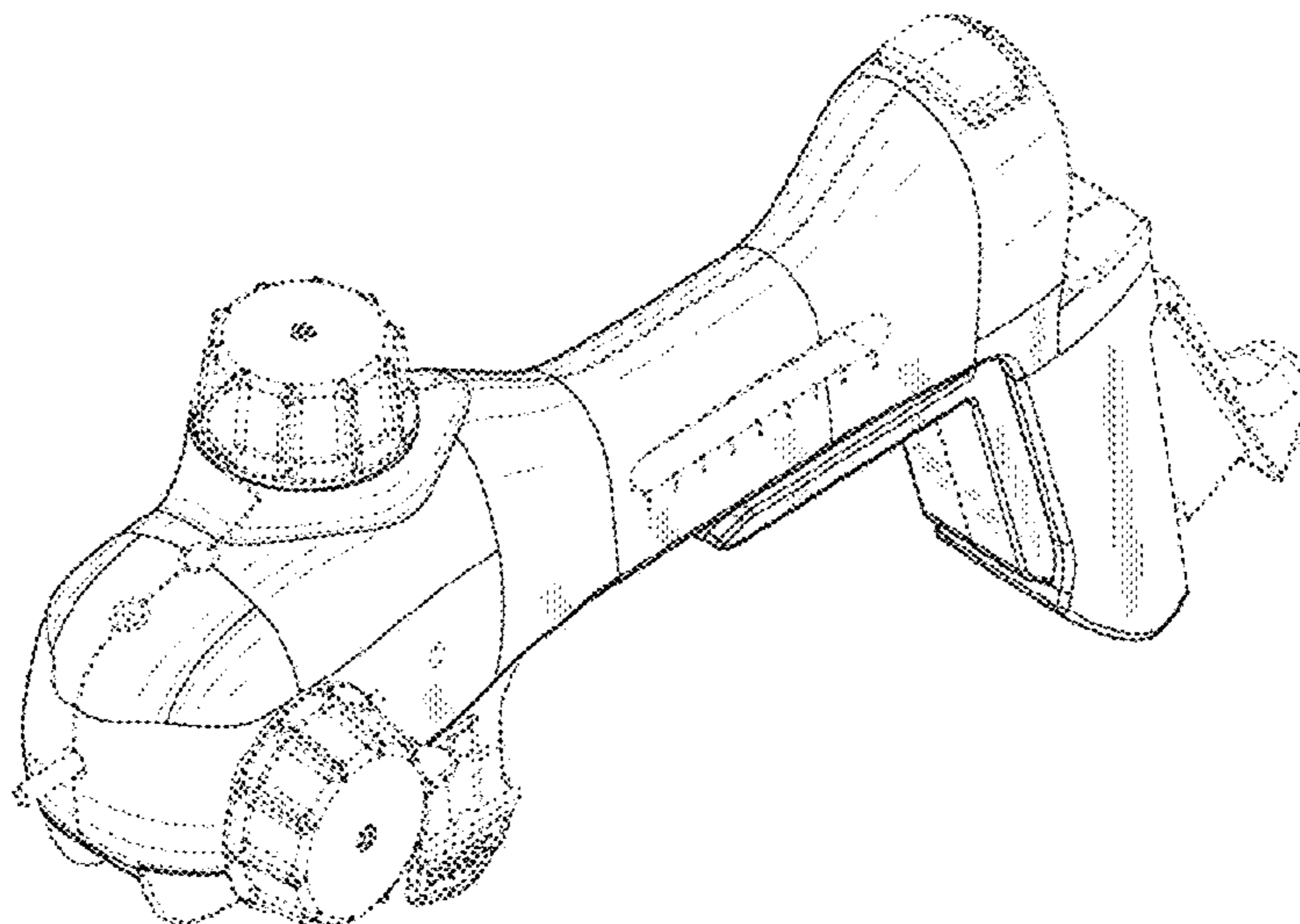
FIG. 6 is a right side elevation thereof;

FIG. 7 is a front elevational view thereof; and,

FIG. 8 is a rear elevational view thereof.

The broken lines in the drawings depict environmental subject matter only and form no part of the claimed design.

**1 Claim, 6 Drawing Sheets**



(56)

**References Cited**

U.S. PATENT DOCUMENTS

2008/0154299 A1 6/2008 Livneh  
2010/0252293 A1\* 10/2010 Lopano ..... B25F 5/02  
173/170  
2012/0089136 A1 4/2012 Levin et al.  
2012/0253329 A1\* 10/2012 Zemlok ..... A61B 17/072  
606/1  
2013/0304117 A1 11/2013 Sugiyama  
2014/0012287 A1 1/2014 Oyola et al.  
2014/0025103 A1 1/2014 Hundertmark et al.  
2014/0171923 A1\* 6/2014 Aranyi ..... A61B 17/00  
606/1  
2014/0196923 A1\* 7/2014 Leupert ..... B25F 5/02  
173/170  
2015/0060516 A1\* 3/2015 Collings ..... A61B 17/07207  
227/175.1  
2017/0100250 A1 4/2017 Marsot et al.

OTHER PUBLICATIONS

U.S. Appl. No. 14/879,726, filed Oct. 2, 2017, Office Action.  
U.S. Appl. No. 29/505,404, filed Jan. 3, 2017, Office Action.  
U.S. Appl. No. 29/505,404, filed Mar. 30, 2017, Office Action.  
U.S. Appl. No. 29/505,404, filed Sep. 26, 2017, Notice of Allow-  
ance.  
U.S. Appl. No. 29/505,404, filed Jan. 10, 2018, Issue Notification.

\* cited by examiner

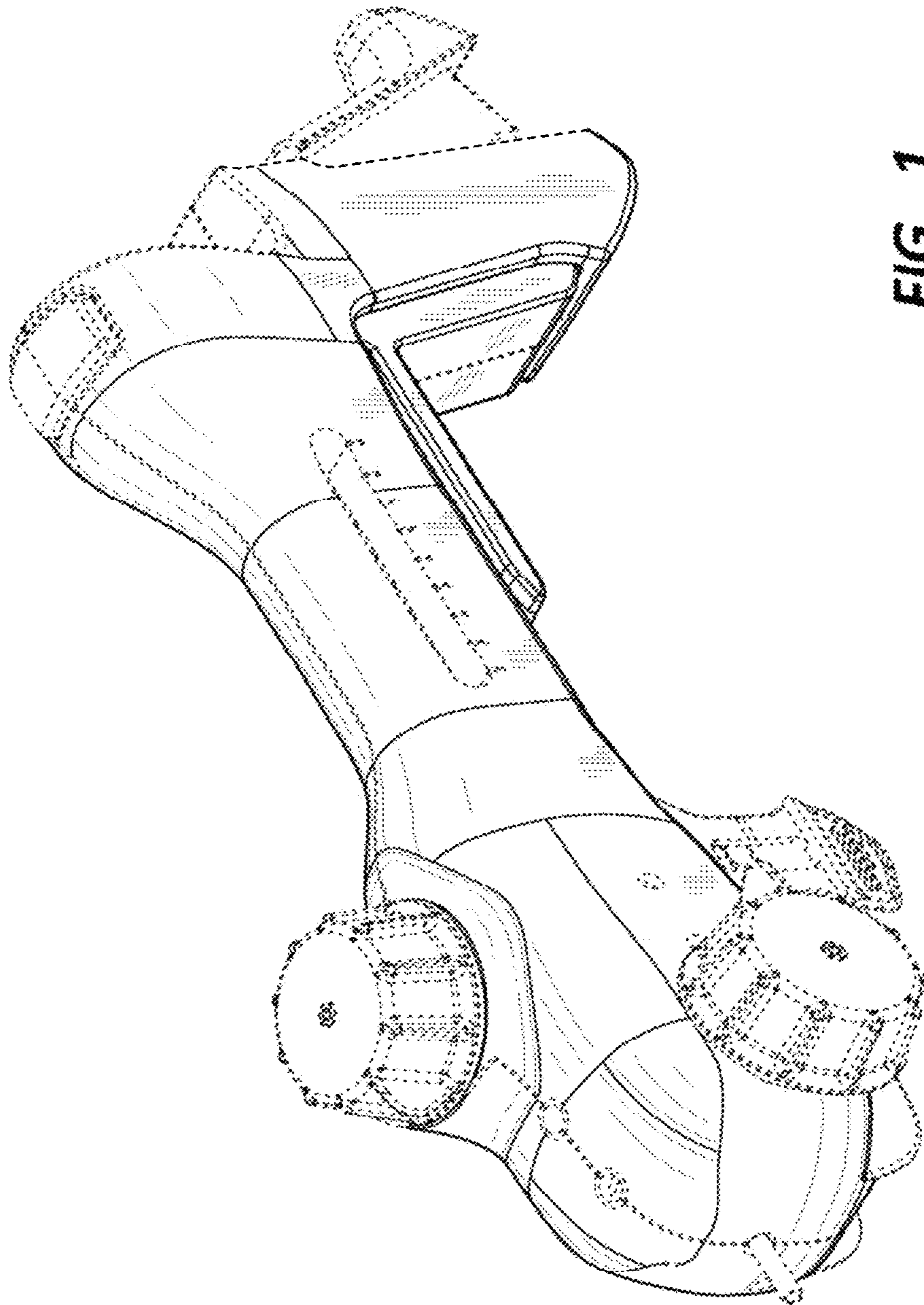


FIG. 1



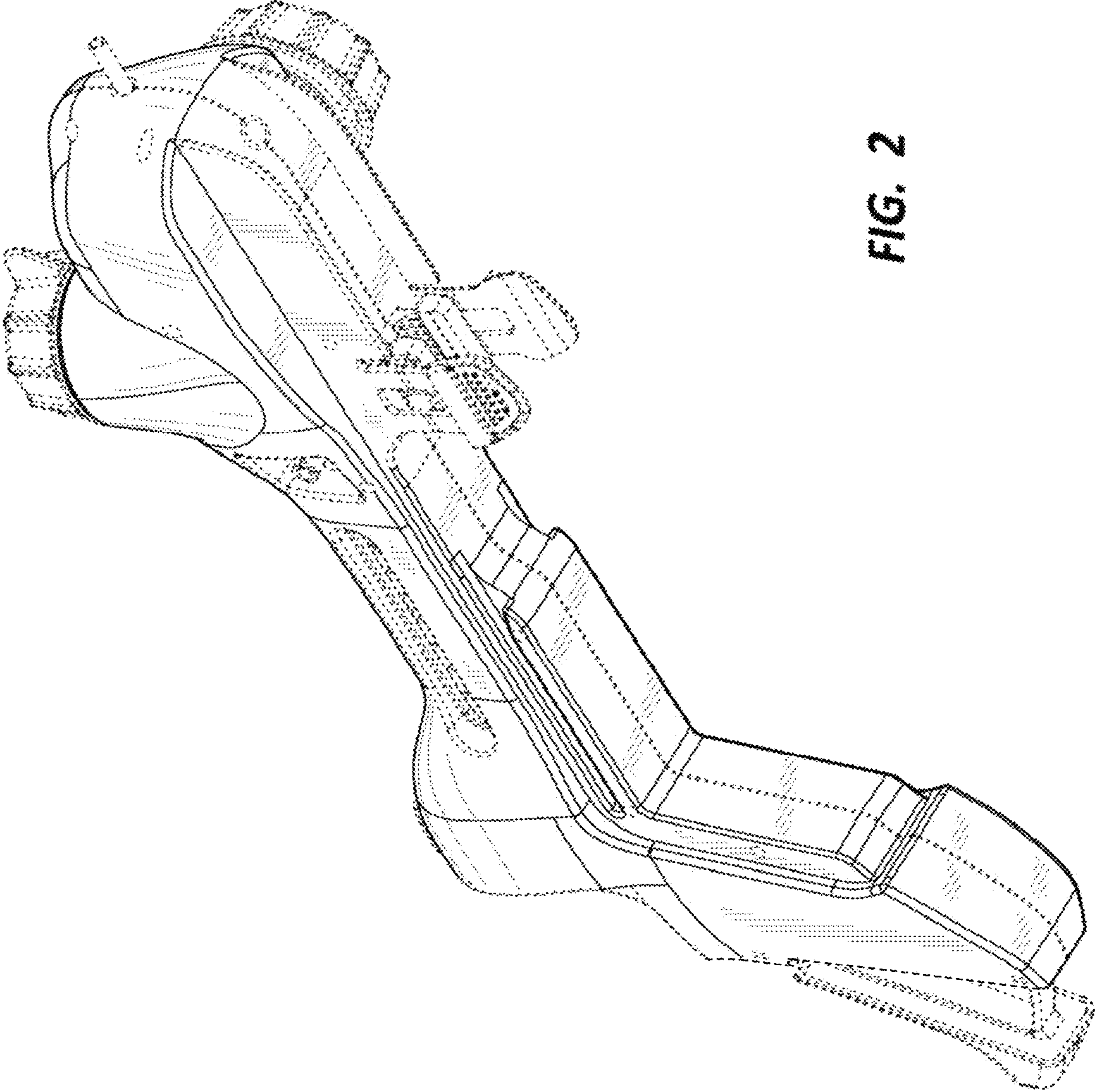
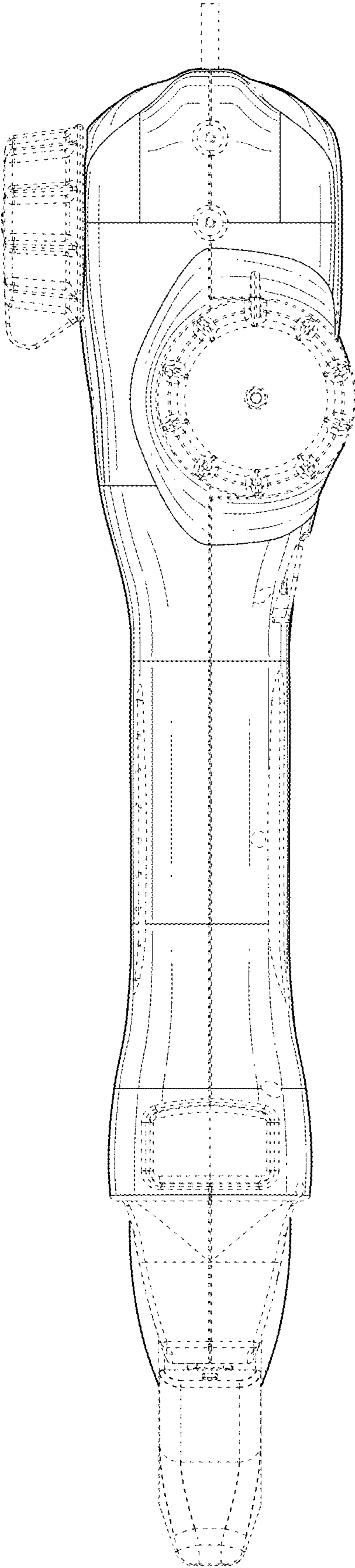
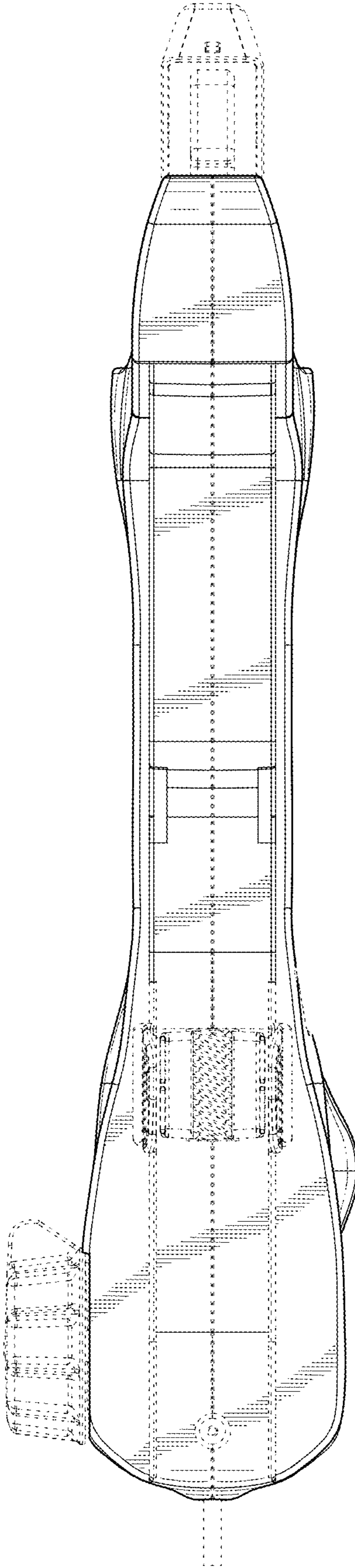


FIG. 2



**FIG. 3**



**FIG. 4**

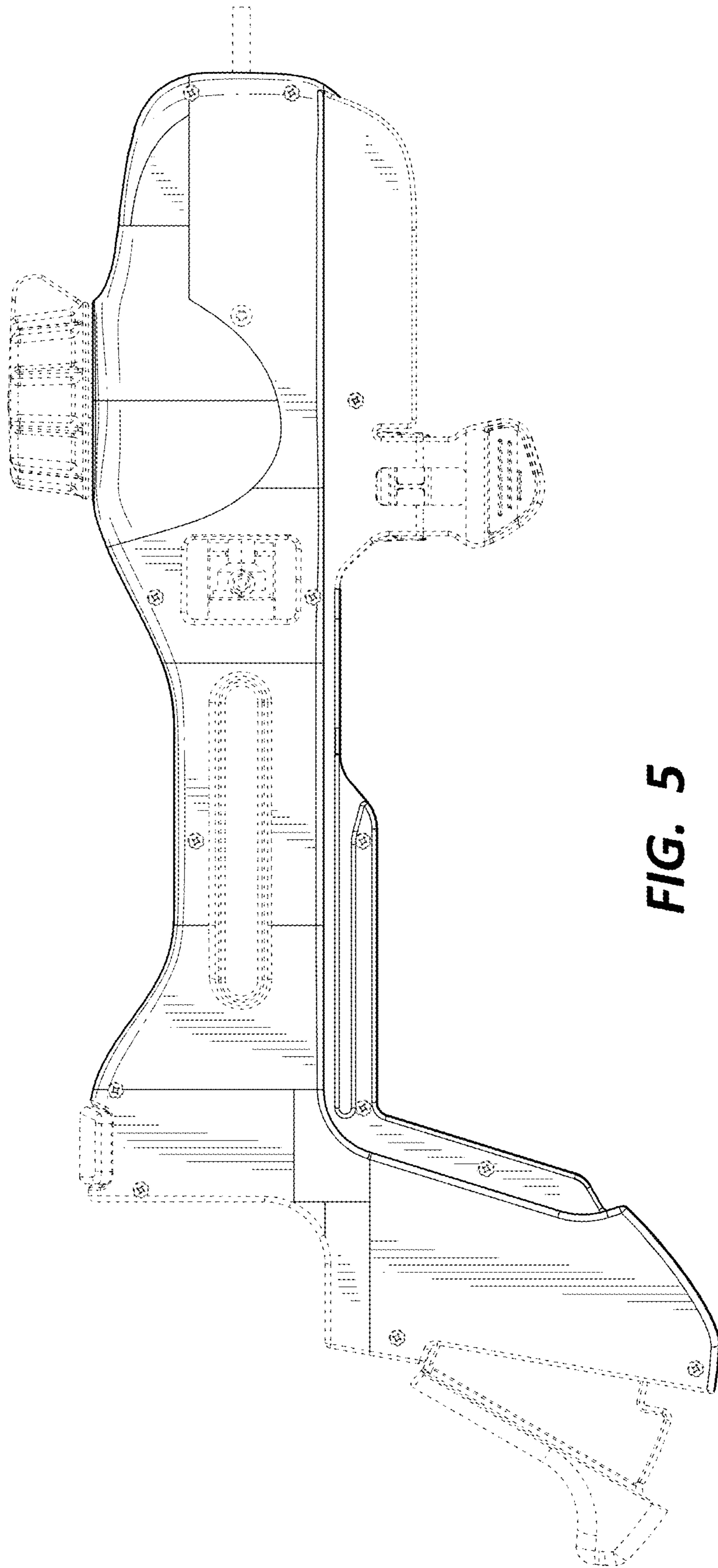
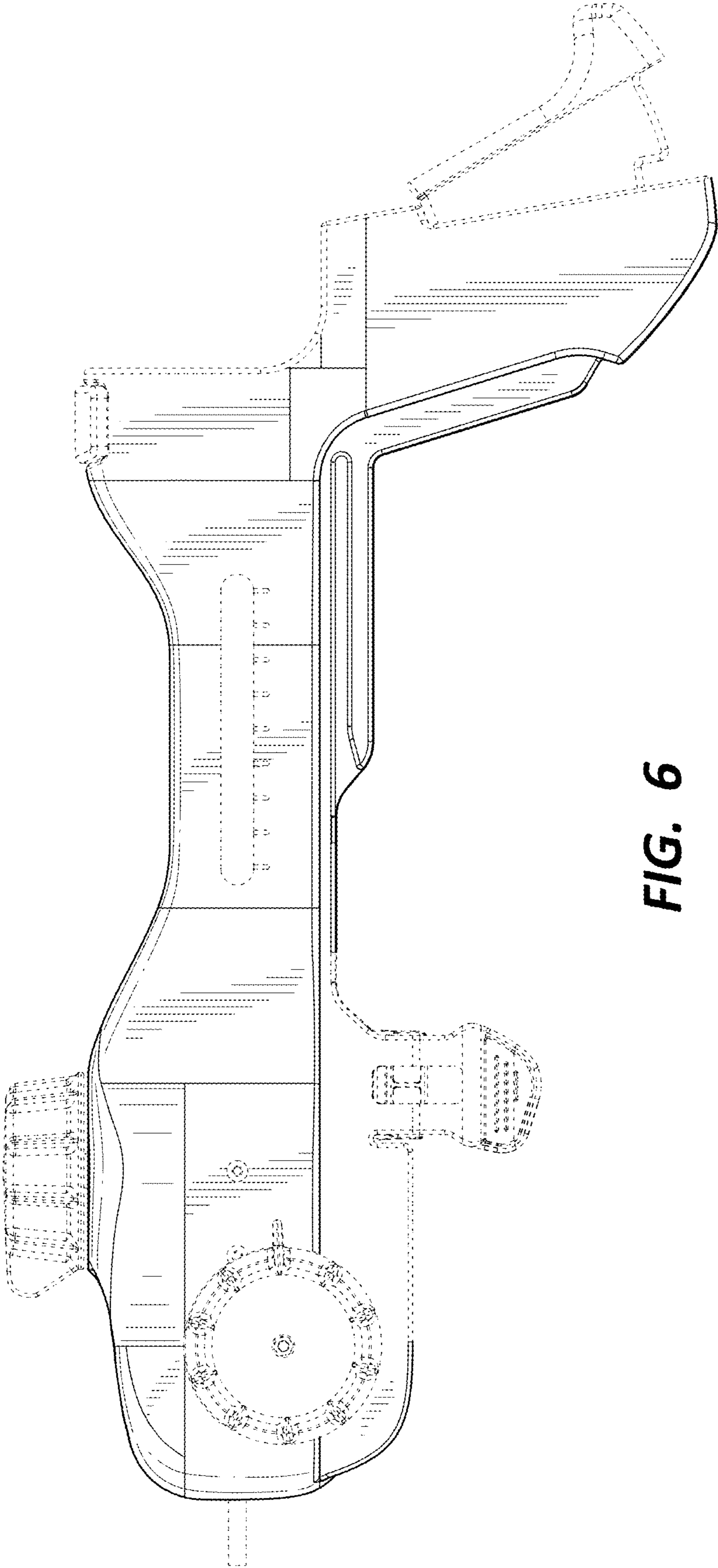


FIG. 5



**FIG. 6**



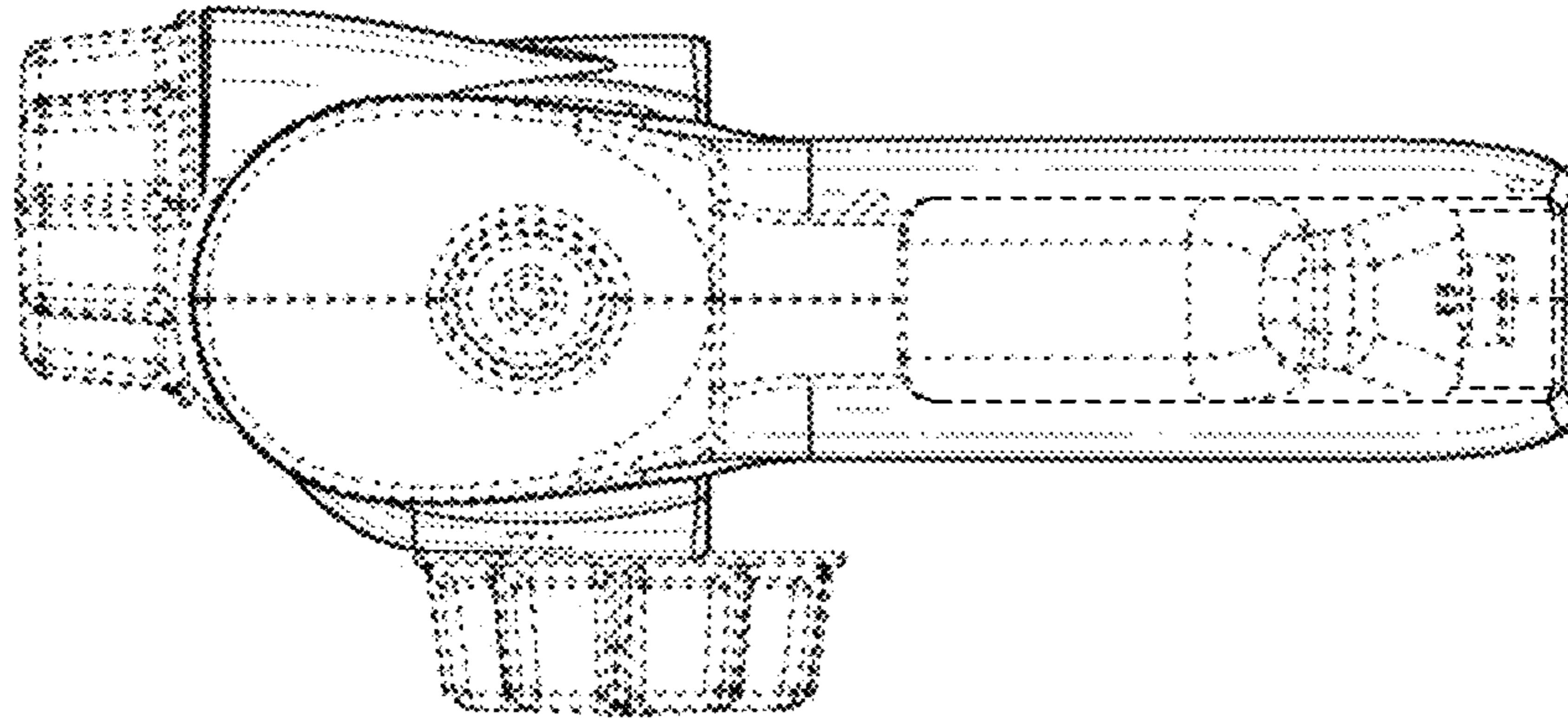


FIG. 7

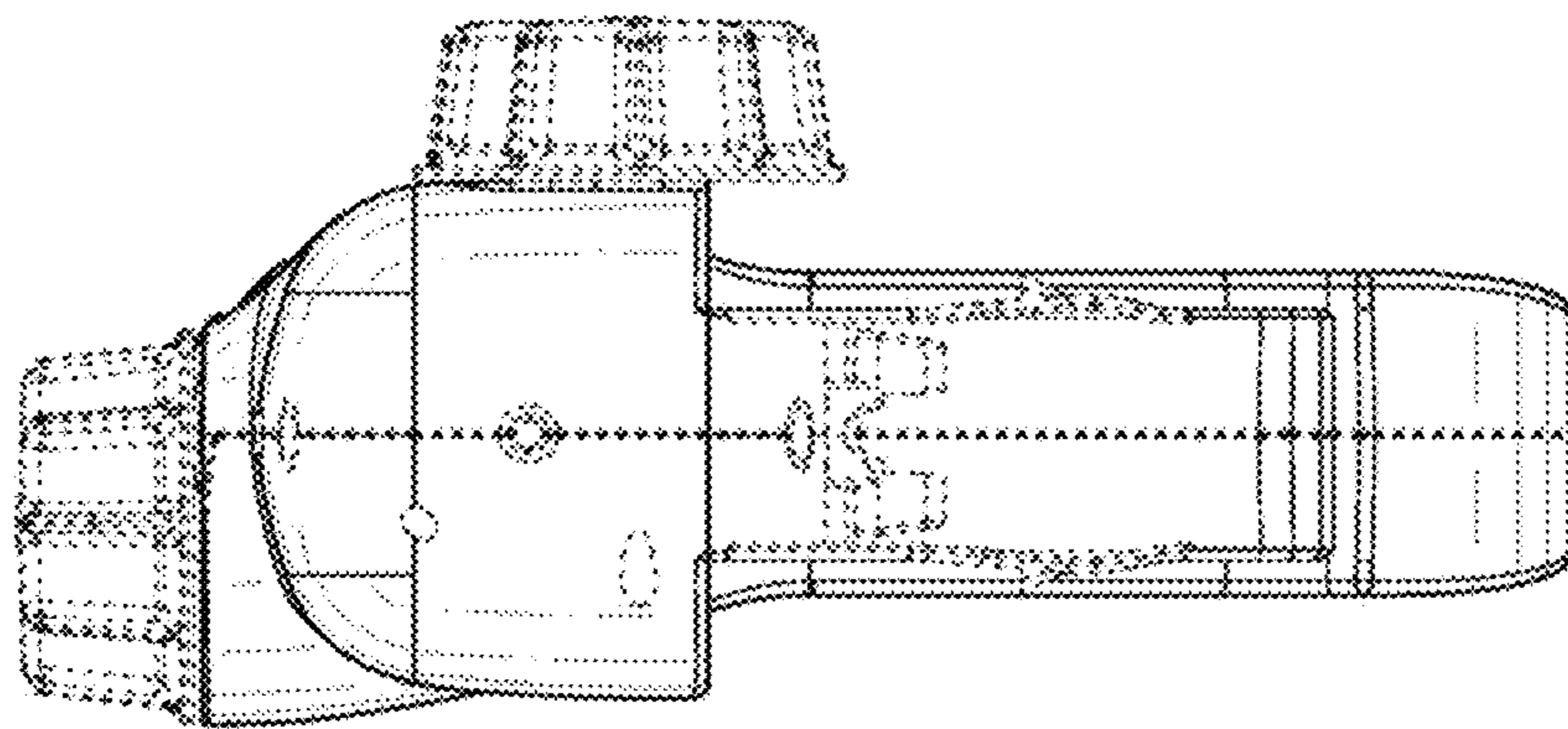


FIG. 8