



US00D902401S

(12) **United States Design Patent**  
**Ohno**

(10) **Patent No.:** **US D902,401 S**

(45) **Date of Patent:** **\*\* Nov. 17, 2020**

(54) **OPERATING GRIP FOR ENDOSCOPE**

(71) Applicant: **FUJIFILM Corporation**, Tokyo (JP)

(72) Inventor: **Hirotohi Ohno**, Ashigarakami-gun (JP)

(73) Assignee: **FUJIFILM Corporation**, Tokyo (JP)

(\*\*) Term: **15 Years**

(21) Appl. No.: **29/642,312**

(22) Filed: **Mar. 28, 2018**

(30) **Foreign Application Priority Data**

Sep. 29, 2017 (JP) ..... 2017-021499

(51) **LOC (12) Cl.** ..... **24-02**

(52) **U.S. Cl.**  
USPC ..... **D24/138**

(58) **Field of Classification Search**  
USPC ..... D24/137, 138  
CPC ..... A61B 1/2676  
See application file for complete search history.

(56) **References Cited**

**U.S. PATENT DOCUMENTS**

D481,124 S	*	10/2003	Hayamizu	.....	D24/138
D535,393 S	*	1/2007	Pilvisto	.....	D16/202
D753,298 S	*	4/2016	Hayamizu	.....	D24/138
D753,823 S	*	4/2016	Hayamizu	.....	D24/138
D845,470 S	*	4/2019	Ohno	.....	D24/127
D871,574 S	*	12/2019	Lohk	.....	D24/138
D871,575 S	*	12/2019	Lohk	.....	D24/138

D871,576 S	*	12/2019	Lohk	.....	D24/138
D873,413 S	*	1/2020	Ohno	.....	D24/127
D884,168 S	*	5/2020	Lohk	.....	D24/138
D886,999 S	*	6/2020	Lohk	.....	D24/138
D888,237 S	*	6/2020	Lohk	.....	D24/138

\* cited by examiner

*Primary Examiner* — Eliza Z Bennett-Hattan

(74) *Attorney, Agent, or Firm* — Birch, Stewart, Kolasch & Birch, LLP

(57) **CLAIM**

The ornamental design for an operating grip for endoscope, as shown and described.

**DESCRIPTION**

FIG. 1 is a top, front and left side perspective view of an operating grip for endoscope showing my new design; FIG. 2 is a top, rear and left side perspective view thereof; FIG. 3 is a top, front and right side perspective view thereof; FIG. 4 is a bottom, front and left side perspective view thereof; FIG. 5 is a front elevational view thereof; FIG. 6 is a rear elevational view thereof; FIG. 7 is a top plan view thereof; FIG. 8 is a bottom plan view thereof; FIG. 9 is a left side elevational view thereof; and, FIG. 10 is a right side elevational view thereof.

The broken lines showing the portions of the operating grip for endoscope in all views shown represent unclaimed subject matter and form no part of the claimed design.

The dash-dot broken lines in FIGS. 1-3,5-7,10 represent the boundary lines and form no part of the claimed design.

**1 Claim, 10 Drawing Sheets**

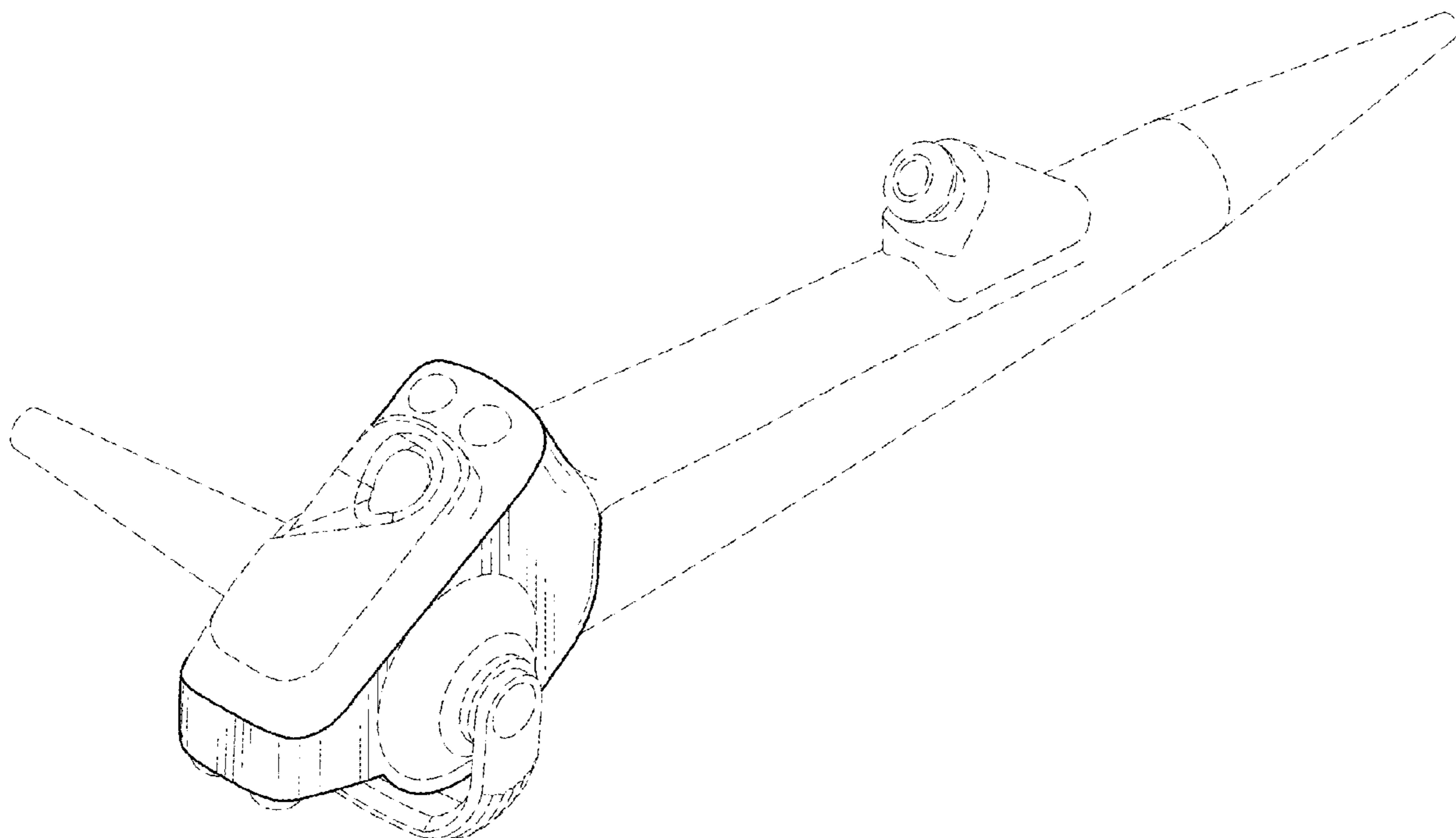


FIG.1

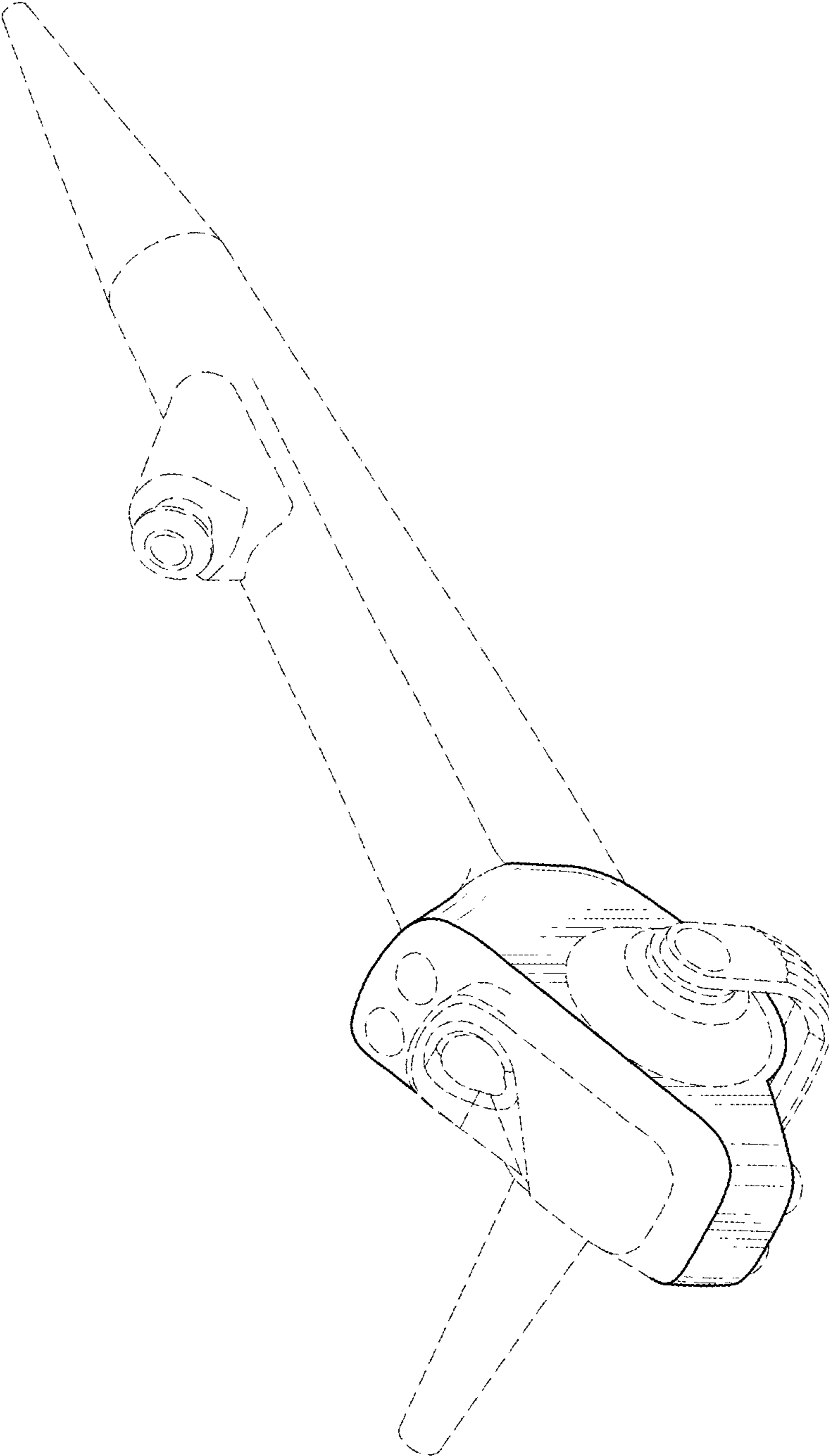


FIG. 2

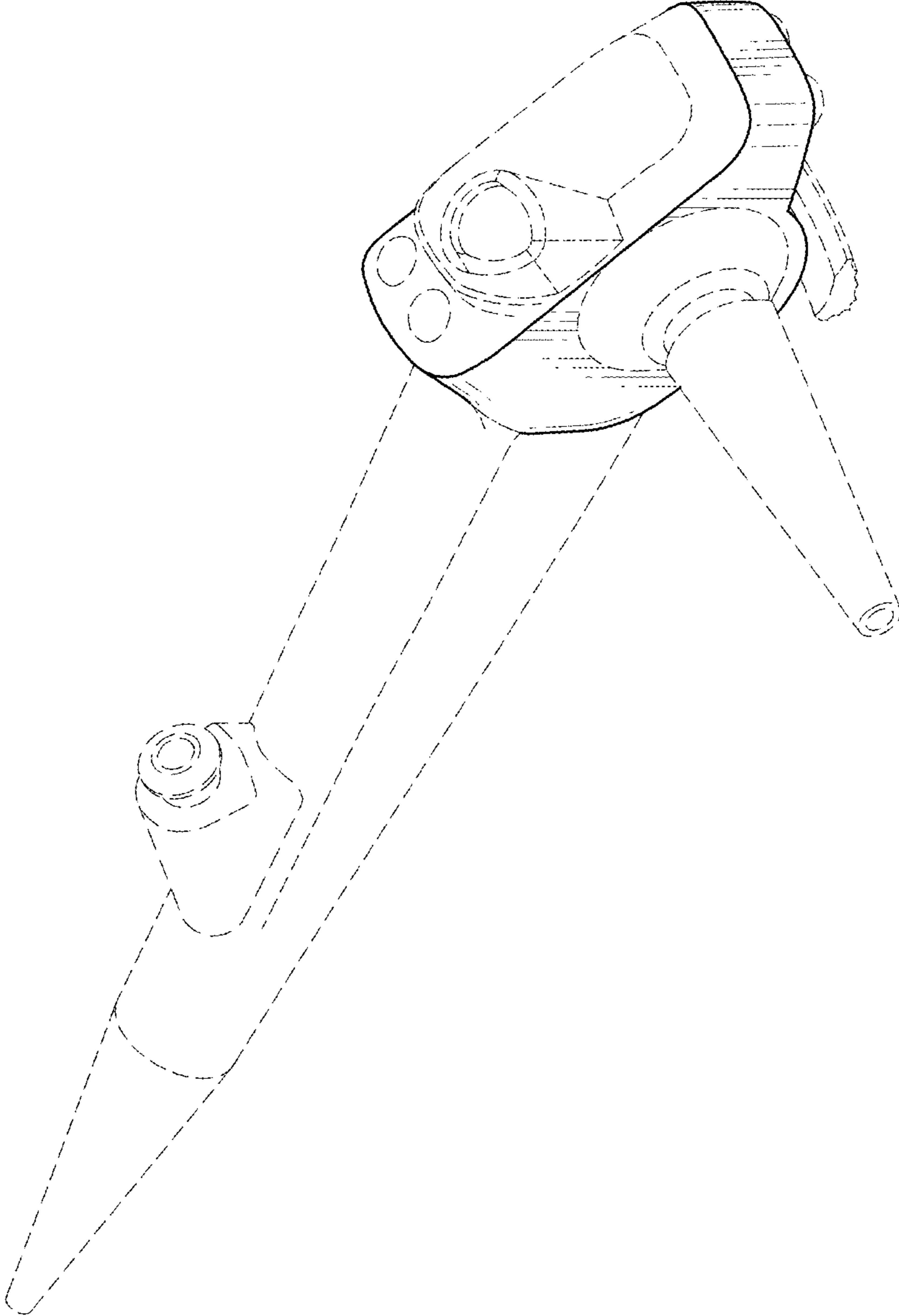


FIG. 3

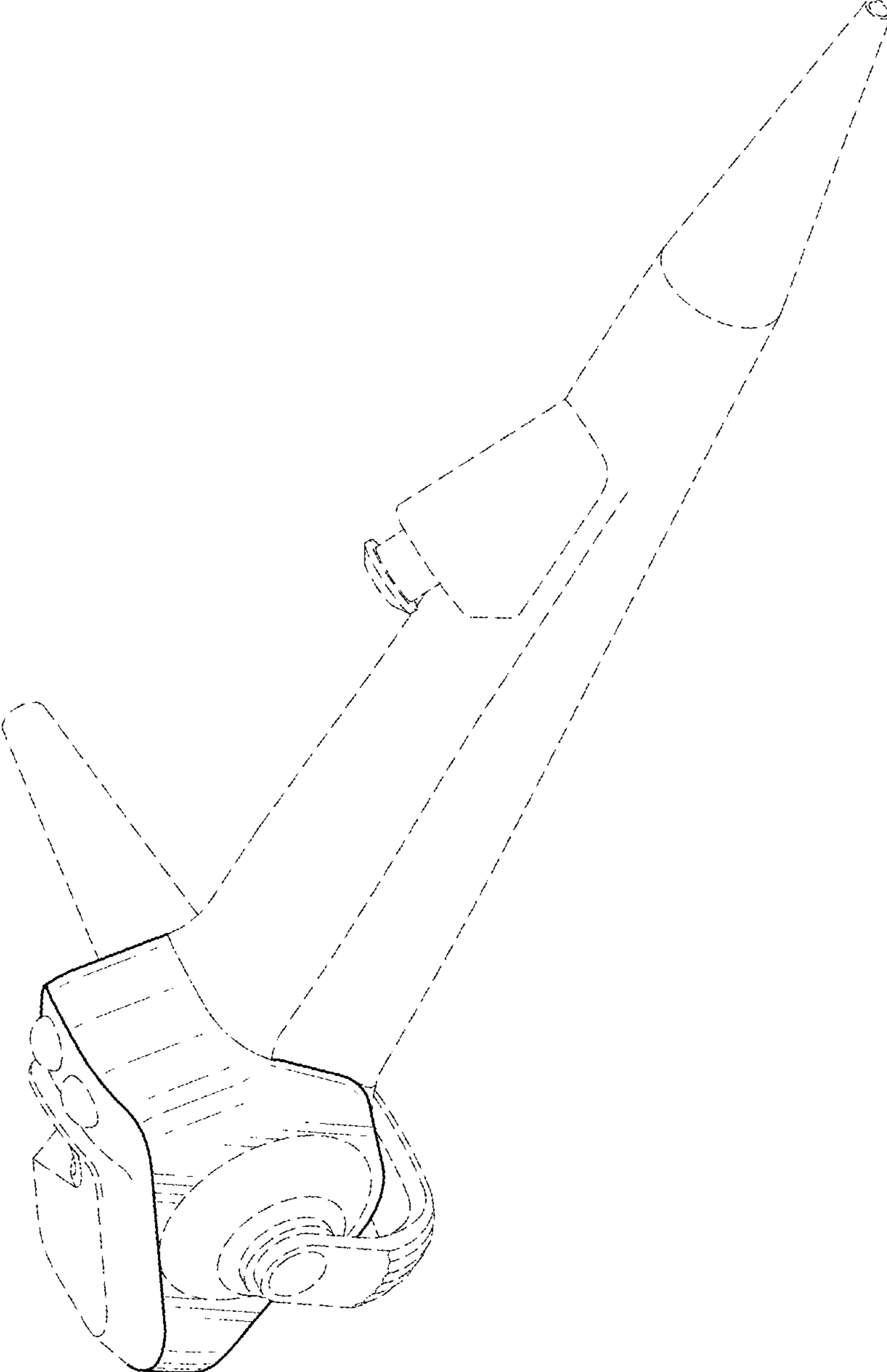


FIG. 4

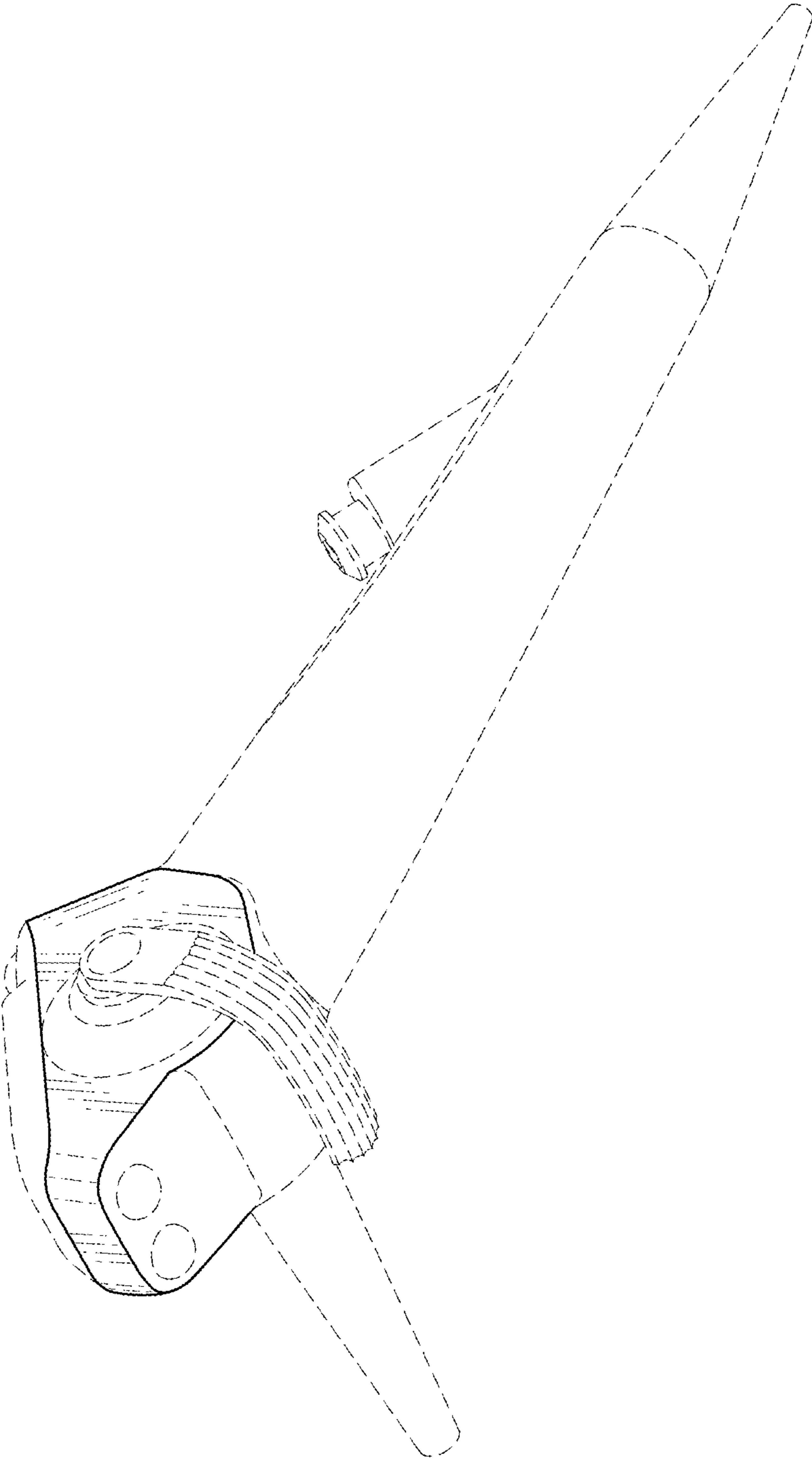


FIG. 5

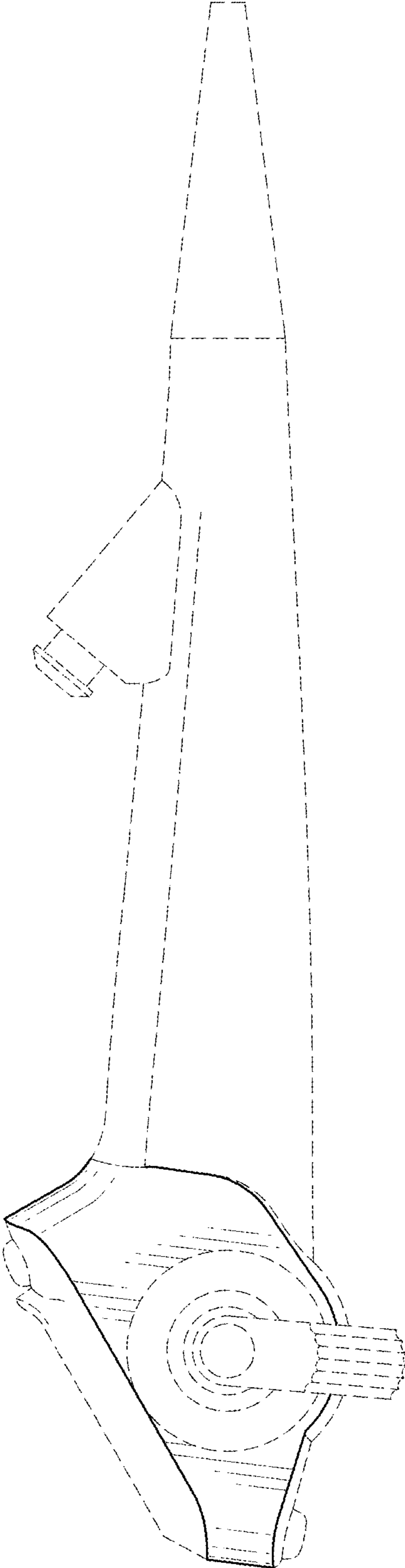


FIG. 6

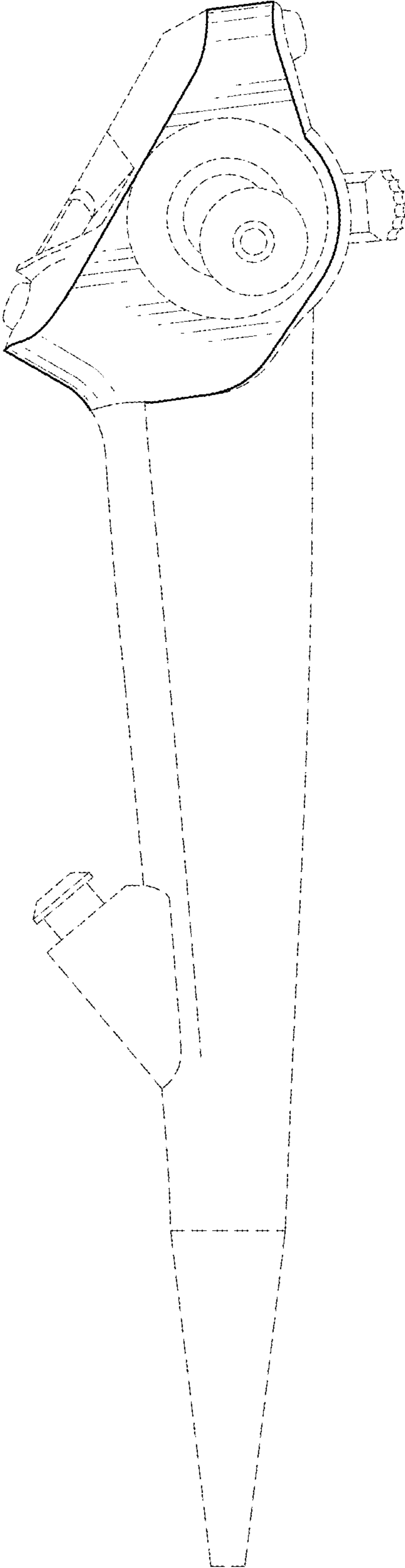


FIG. 7

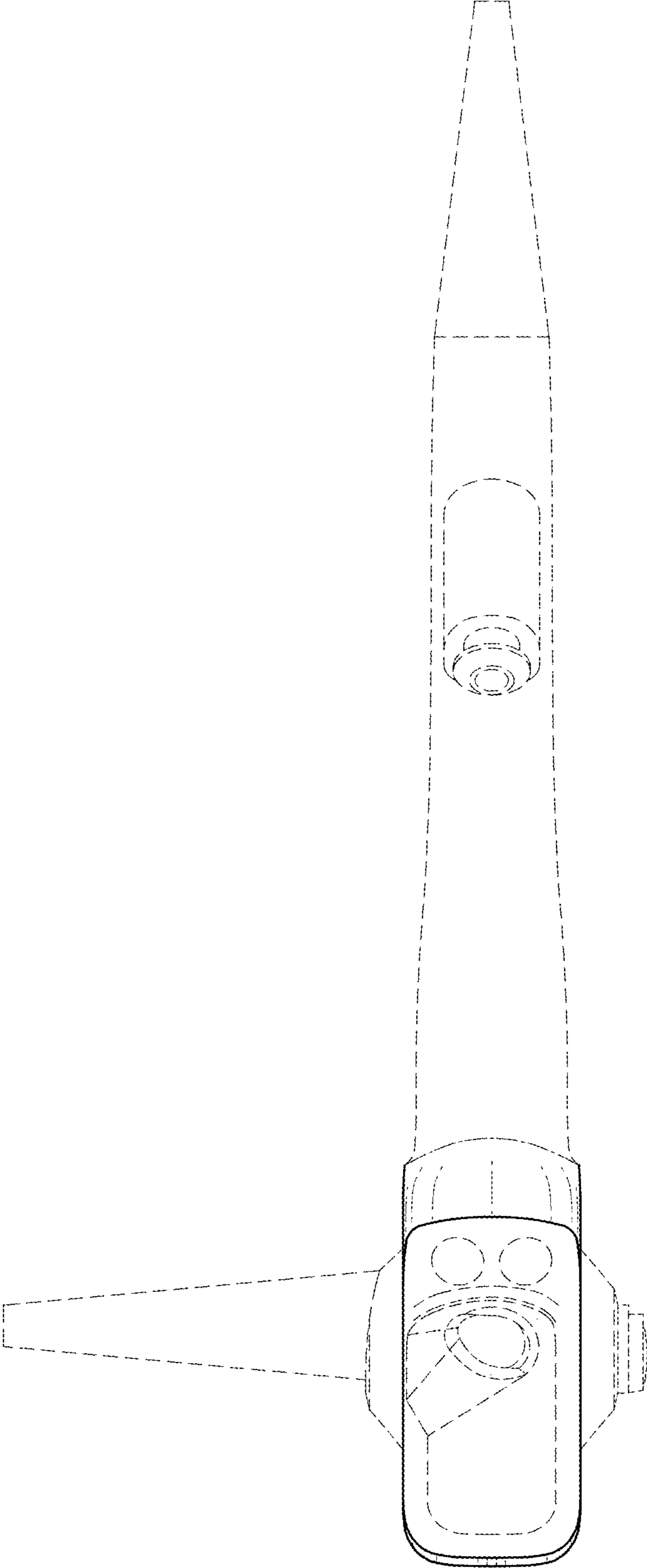




FIG. 8

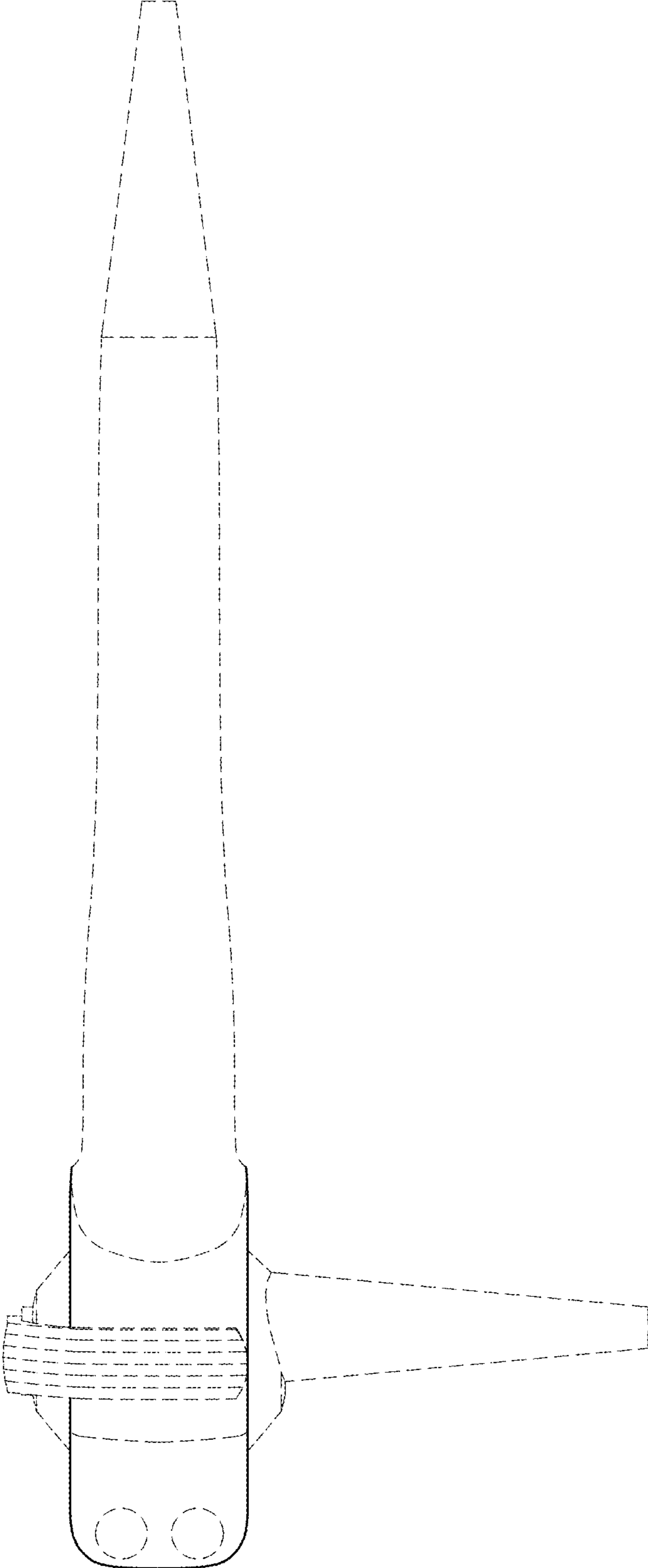


FIG. 9

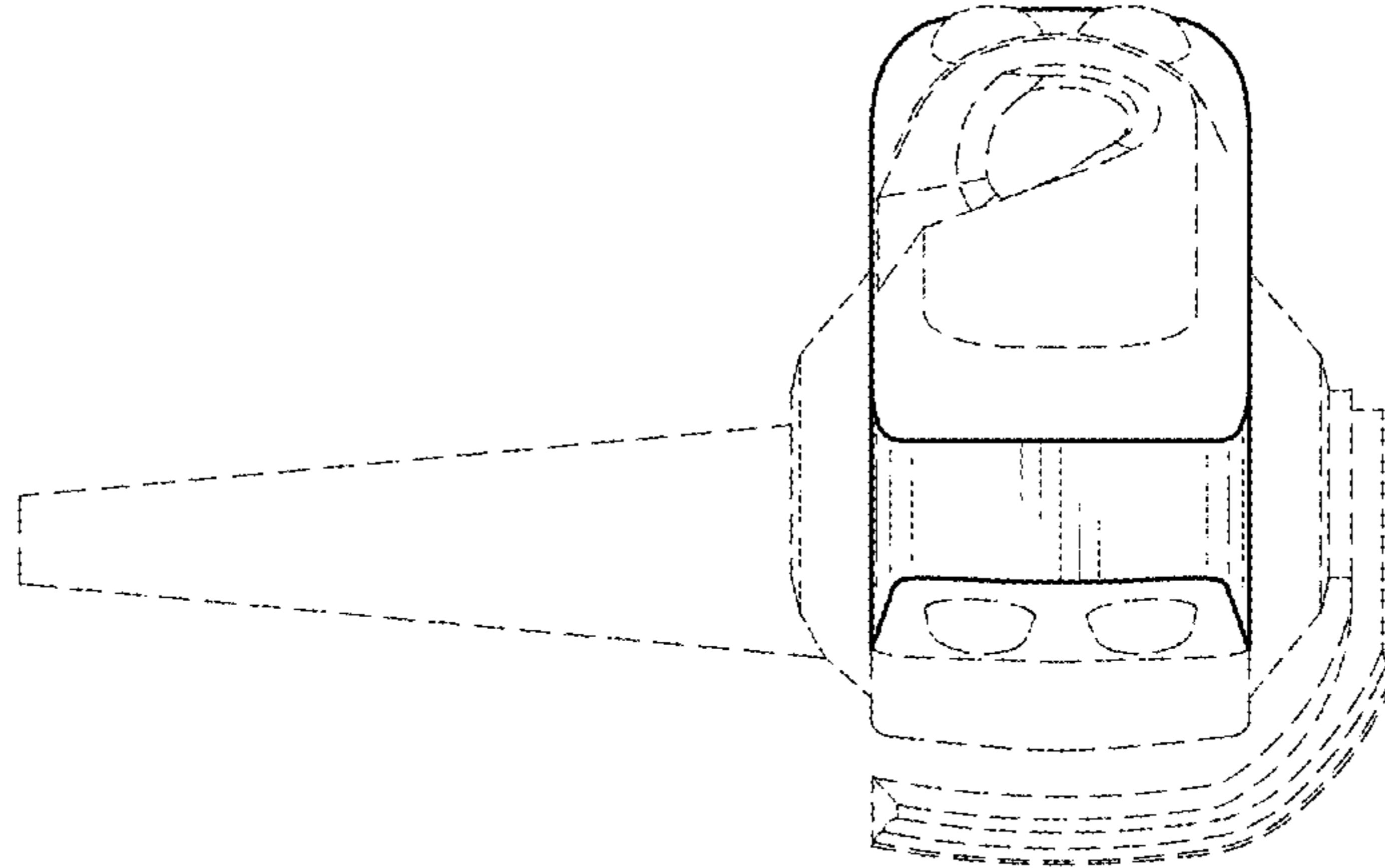


FIG. 10

