



US00D902398S

(12) **United States Design Patent** (10) **Patent No.:** **US D902,398 S**  
**Stubbe** (45) **Date of Patent:** **\*\* Nov. 17, 2020**

(54) **HOLSTER FOR REMOVABLY RETAINING MEDICAL SHEARS**  
(71) Applicant: **Nicholas R. Stubbe**, Sioux City, IA (US)  
(72) Inventor: **Nicholas R. Stubbe**, Sioux City, IA (US)  
(\*\*) Term: **15 Years**  
(21) Appl. No.: **29/636,773**  
(22) Filed: **Feb. 12, 2018**  
(51) **LOC (12) Cl.** ..... **24-02**  
(52) **U.S. Cl.**  
USPC ..... **D24/128**  
(58) **Field of Classification Search**  
USPC ..... D24/127-131, 112-114, 133, 186; D3/222; 606/181, 185; 604/264, 604/523-528, 272, 187, 158, 604/164.01-164.11, 181, 184, 227; 600/101, 139, 143; 128/200.24, 207.14, 128/207.15  
CPC ..... B43K 25/02; A45F 5/021; F41C 33/0254  
See application file for complete search history.

(56) **References Cited**  
U.S. PATENT DOCUMENTS  
4,506,787 A 3/1985 Bruso  
4,597,493 A 7/1986 Bruso  
4,637,075 A 1/1987 English et al.  
5,072,456 A 12/1991 Elin  
5,893,370 A 4/1999 Perez et al.  
D541,933 S \* 5/2007 White ..... D11/146  
7,422,431 B2 \* 9/2008 White ..... A61C 19/00 433/77  
D578,642 S \* 10/2008 White ..... D24/128  
7,941,928 B2 5/2011 Fisher  
9,289,051 B1 3/2016 Capps

D874,130 S \* 2/2020 Haygood ..... D3/222  
D874,131 S \* 2/2020 Zhang ..... D3/222  
10,571,221 B2 \* 2/2020 DeSantis ..... F41C 33/048  
D880,850 S \* 4/2020 Romani ..... D3/222  
D881,557 S \* 4/2020 Houck ..... D3/222  
D885,754 S \* 6/2020 Song ..... D3/222  
10,684,094 B2 \* 6/2020 Shinkle ..... F41C 33/041  
10,731,946 B1 \* 8/2020 Hamilton ..... F41C 33/0254  
10,746,502 B1 \* 8/2020 Bynoe ..... F41C 33/048  
10,759,217 B2 \* 9/2020 Black ..... B43K 23/001  
2007/0023309 A1 2/2007 Davis  
2007/0205235 A1 9/2007 Knight  
2009/0271987 A1 11/2009 Fisher  
2011/0099682 A1 5/2011 Earley  
2011/0119924 A1 5/2011 Goldstein  
2013/0181019 A1 7/2013 Collin et al.  
2013/0181083 A1 7/2013 Collin et al.  
2013/0269713 A1 10/2013 Bui et al.

(Continued)

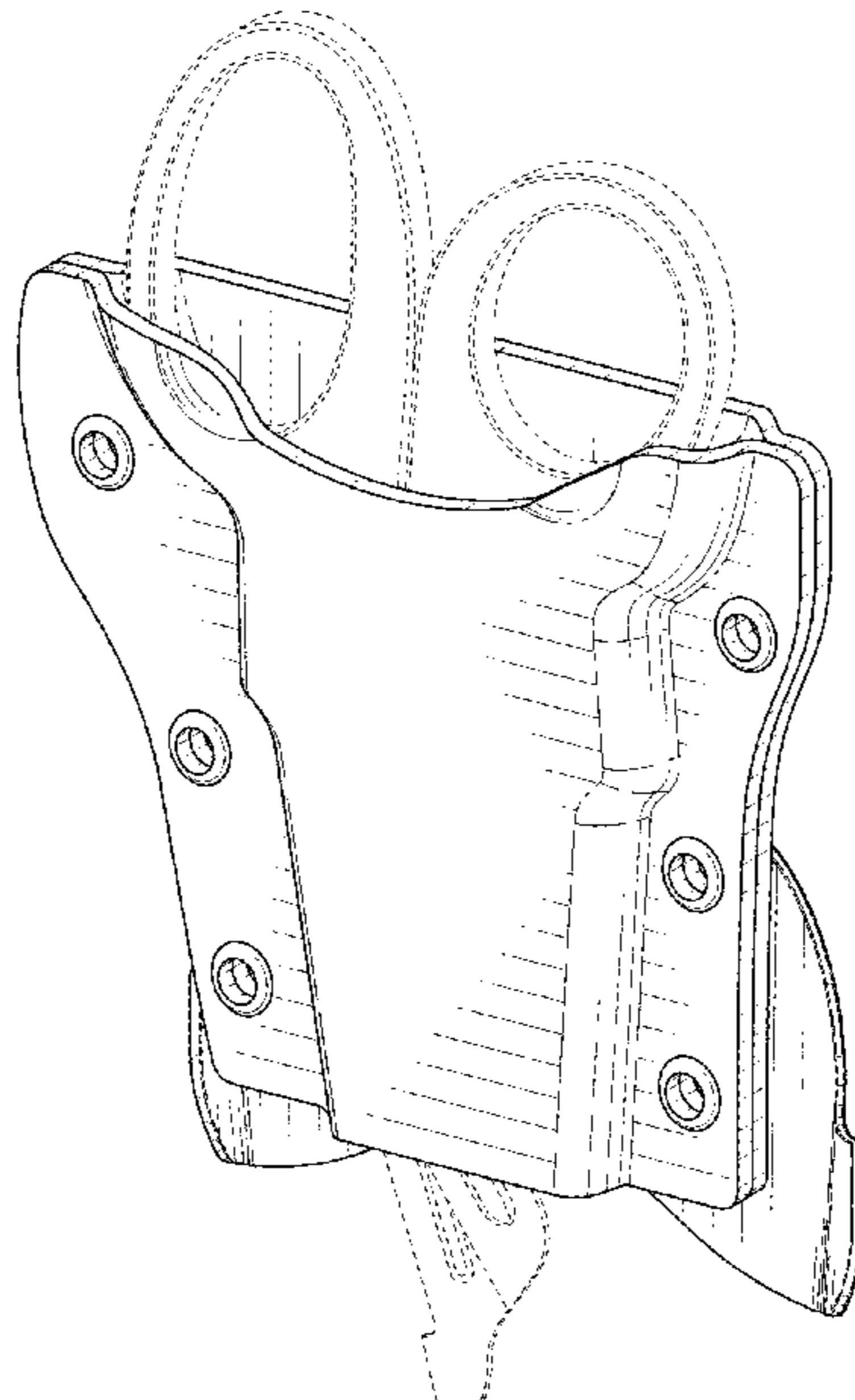
*Primary Examiner* — David G Muller  
(74) *Attorney, Agent, or Firm* — Luke Charles Holst; McGrath North Mullin & Kratz, PC LLO

(57) **CLAIM**  
The ornamental design for a holster for removably retaining medical shears, as shown and described.

**DESCRIPTION**

FIG. 1 is a front perspective view of a holster for removably retaining medical shears showing my new design; FIG. 2 is a front elevational view thereof; FIG. 3 is a rear elevational view thereof; FIG. 4 is a left side elevational view thereof; FIG. 5 is a right side elevational view thereof; FIG. 6 is a top plan view thereof; and, FIG. 7 is a bottom plan view thereof. The broken line showing of parts of the drawings is included for the purpose of illustrating use and environment and forms no part of the claimed design.

**1 Claim, 5 Drawing Sheets**



(56)

**References Cited**

U.S. PATENT DOCUMENTS

2013/0299383 A1 11/2013 Hernandez  
2016/0066679 A1 3/2016 Capps  
2017/0059274 A1 3/2017 Crist et al.

\* cited by examiner

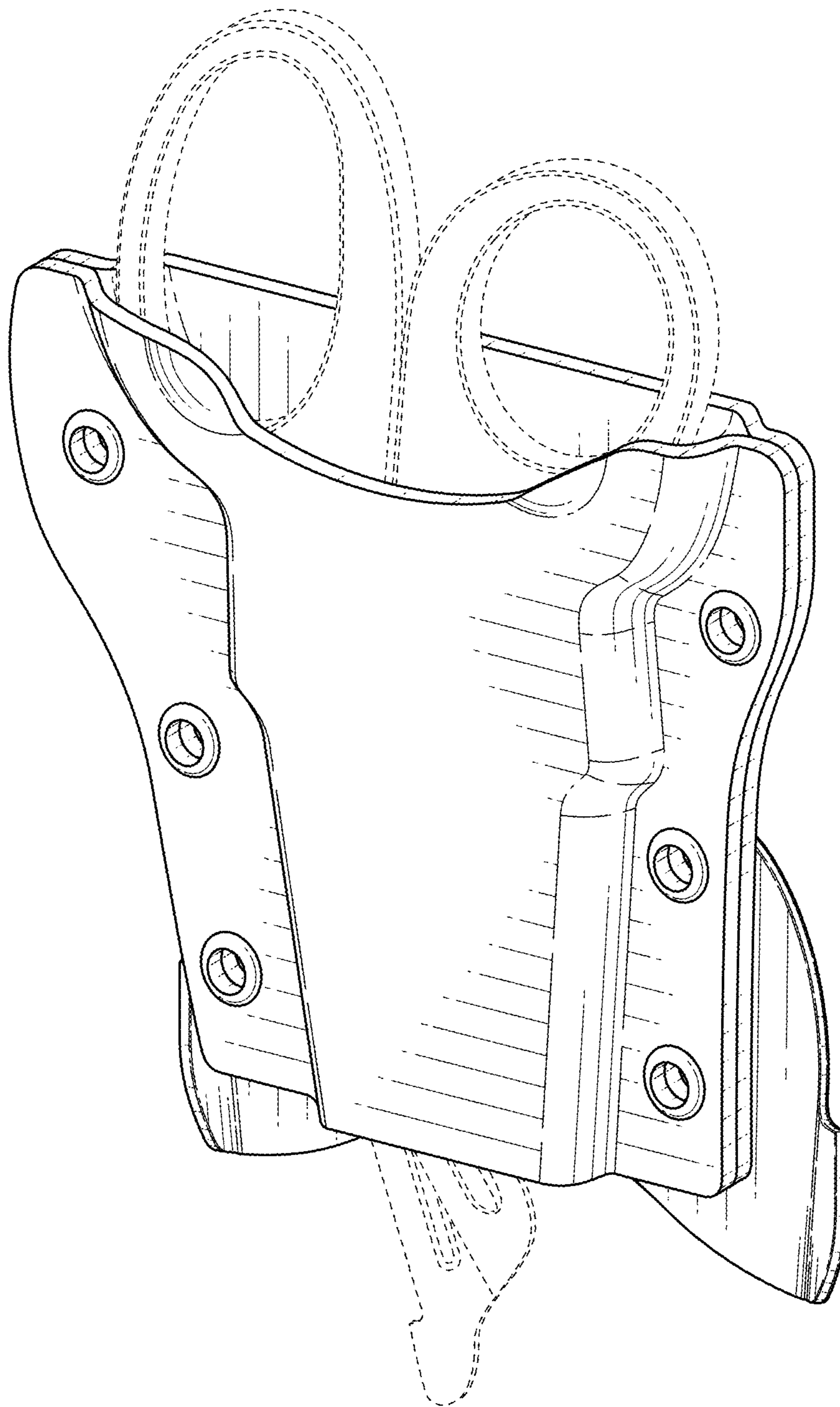


FIG. 1

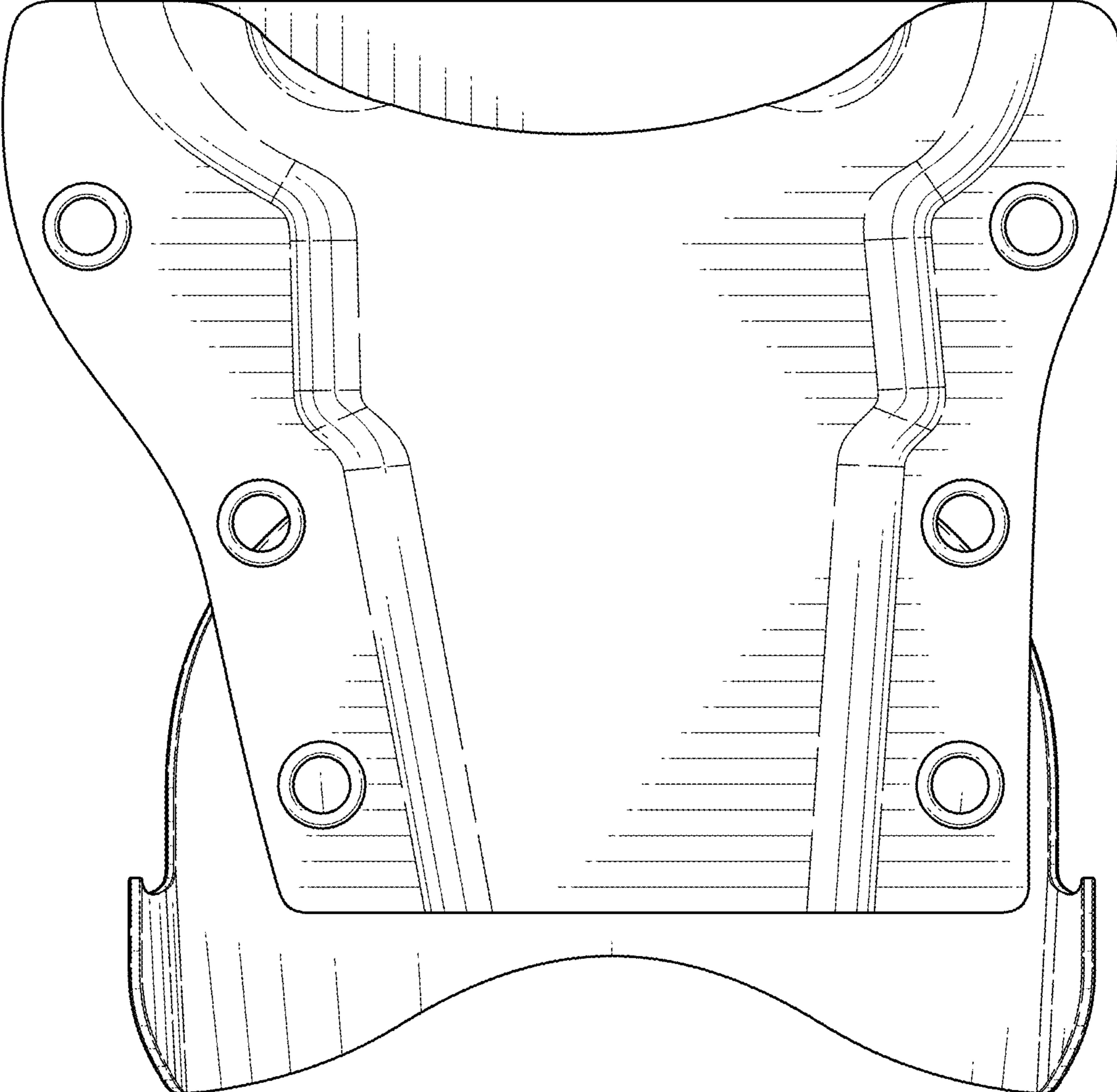


FIG. 2

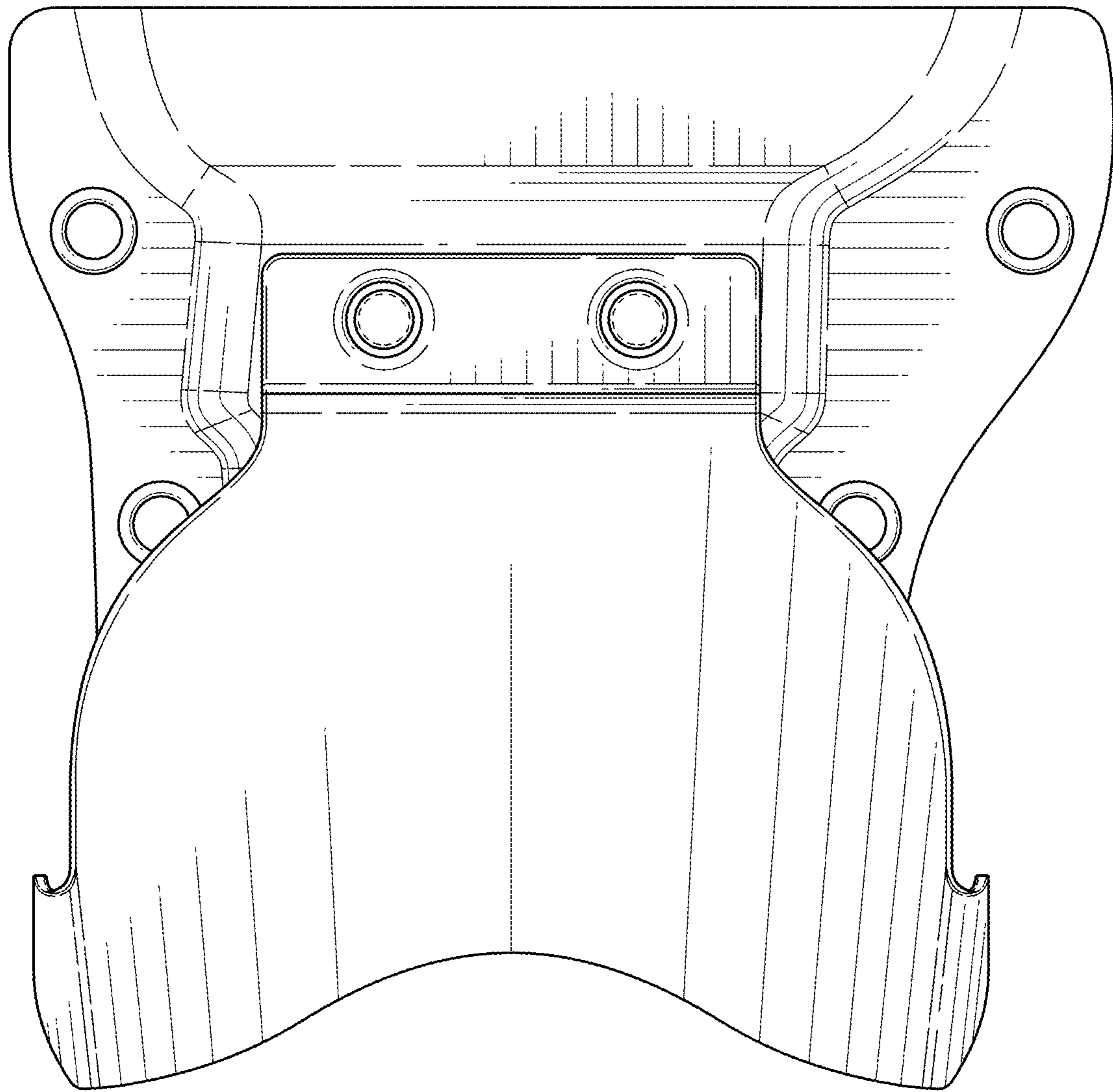


FIG. 3



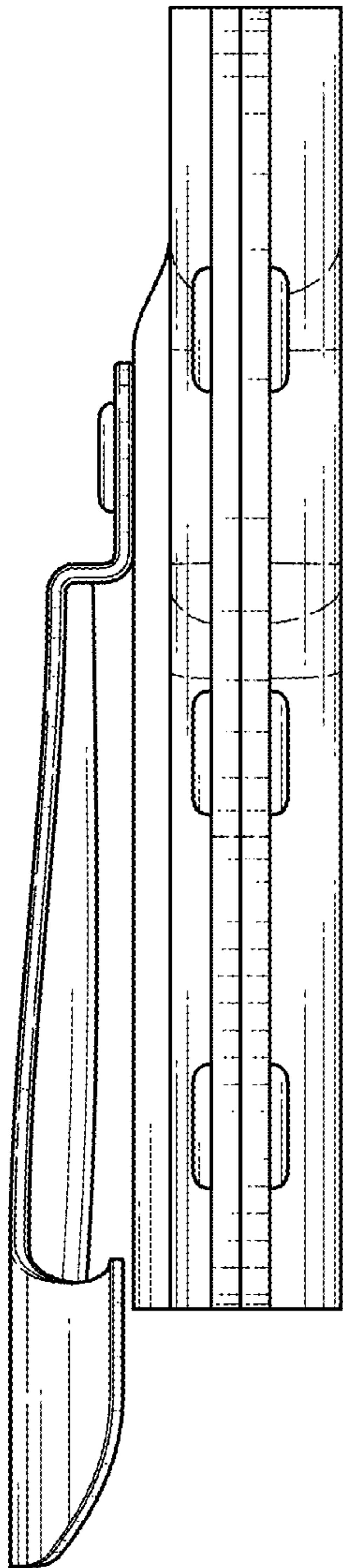


FIG. 4

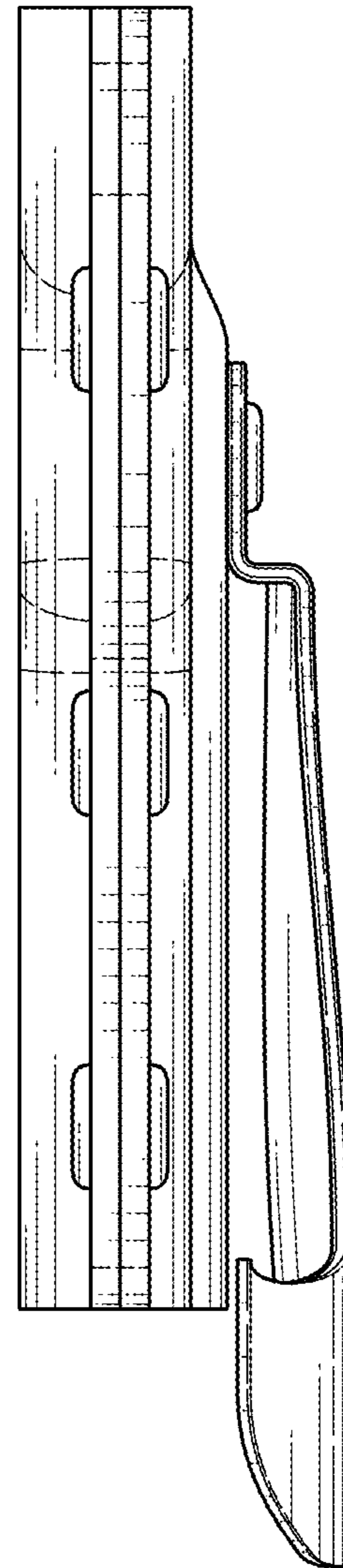


FIG. 5

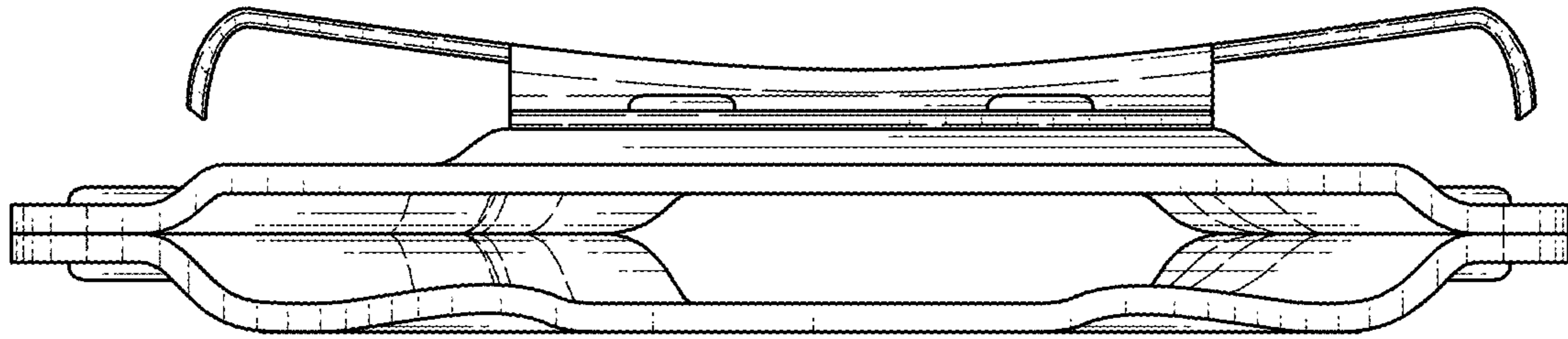


FIG. 6

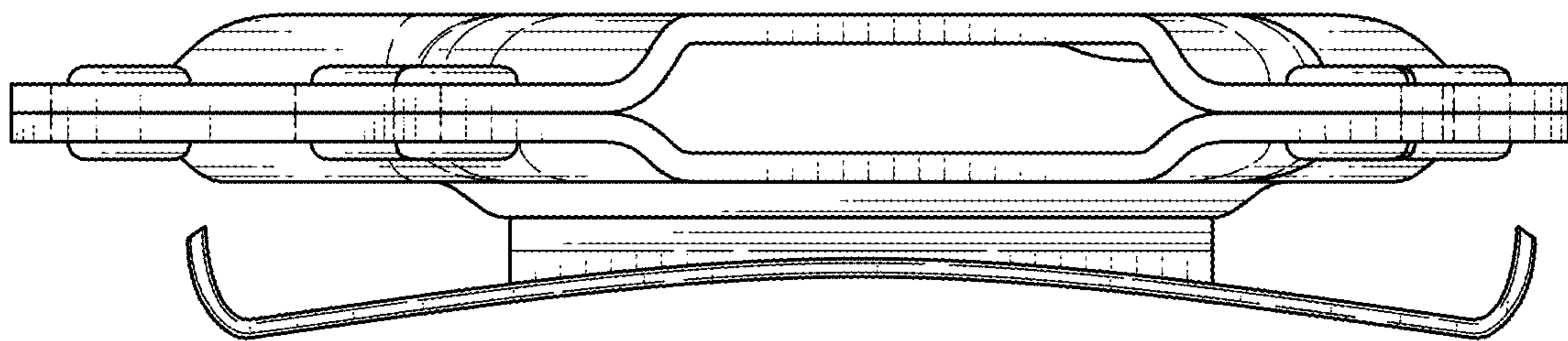


FIG. 7