



US00D902393S

(12) **United States Design Patent** (10) **Patent No.:** **US D902,393 S**
Cannamela et al. (45) **Date of Patent:** **** Nov. 17, 2020**

(54) **INJECTION DEVICE**

(71) Applicant: **Janssen Pharmaceuticals, Inc.**,
Titusville, NJ (US)
(72) Inventors: **Michael Cannamela**, New York, NY
(US); **Rochelle Kleinberg**, New York,
NY (US); **Peter Krulevitch**, Pleasanton,
CA (US)
(73) Assignee: **Janssen Pharmaceuticals, Inc.**,
Titusville, NJ (US)

D574,954 S * 8/2008 Smith D24/114
8,052,655 B2 * 11/2011 Moller A61M 5/31553
604/246
D681,808 S * 5/2013 Holaschke D24/114
D687,544 S * 8/2013 Stephan D24/114
D696,773 S * 12/2013 Schneider D24/113
D696,774 S * 12/2013 Guarraia D24/113
D696,775 S * 12/2013 Guarraia D24/113
D697,205 S * 1/2014 Schneider D24/113
9,867,940 B2 * 1/2018 Holmqvist A61M 5/3202
D814,022 S * 3/2018 Boyaval D24/113
D844,774 S * 4/2019 Akcay A61B 5/150732
D24/112

(Continued)

(**) Term: **15 Years**

(21) Appl. No.: **29/737,470**

(22) Filed: **Jun. 9, 2020**

Related U.S. Application Data

(62) Division of application No. 29/643,586, filed on Apr.
10, 2018, now Pat. No. Des. 888,942.

(30) **Foreign Application Priority Data**

Oct. 10, 2017 (EM) 004394278

(51) **LOC (12) Cl.** **24-02**

(52) **U.S. Cl.**
USPC **D24/114**

(58) **Field of Classification Search**
USPC D24/112–114, 108, 133, 130, 127, 186;
606/181, 185; 604/264, 272, 187, 181,
604/184, 227
CPC A61M 5/178; A61M 3/00; A61M 5/20;
A61M 5/31; A61M 5/3146; A61M
5/3129; A61M 5/3148; A61M 5/315
See application file for complete search history.

(56) **References Cited**

U.S. PATENT DOCUMENTS

D383,205 S * 9/1997 Pagay D24/112
D429,812 S 8/2000 Hjertman et al.

FOREIGN PATENT DOCUMENTS

JP HD17036853 2/2006
JP 1453984 9/2012

(Continued)

Primary Examiner — David G Muller

(74) *Attorney, Agent, or Firm* — Steven J. Schwarz

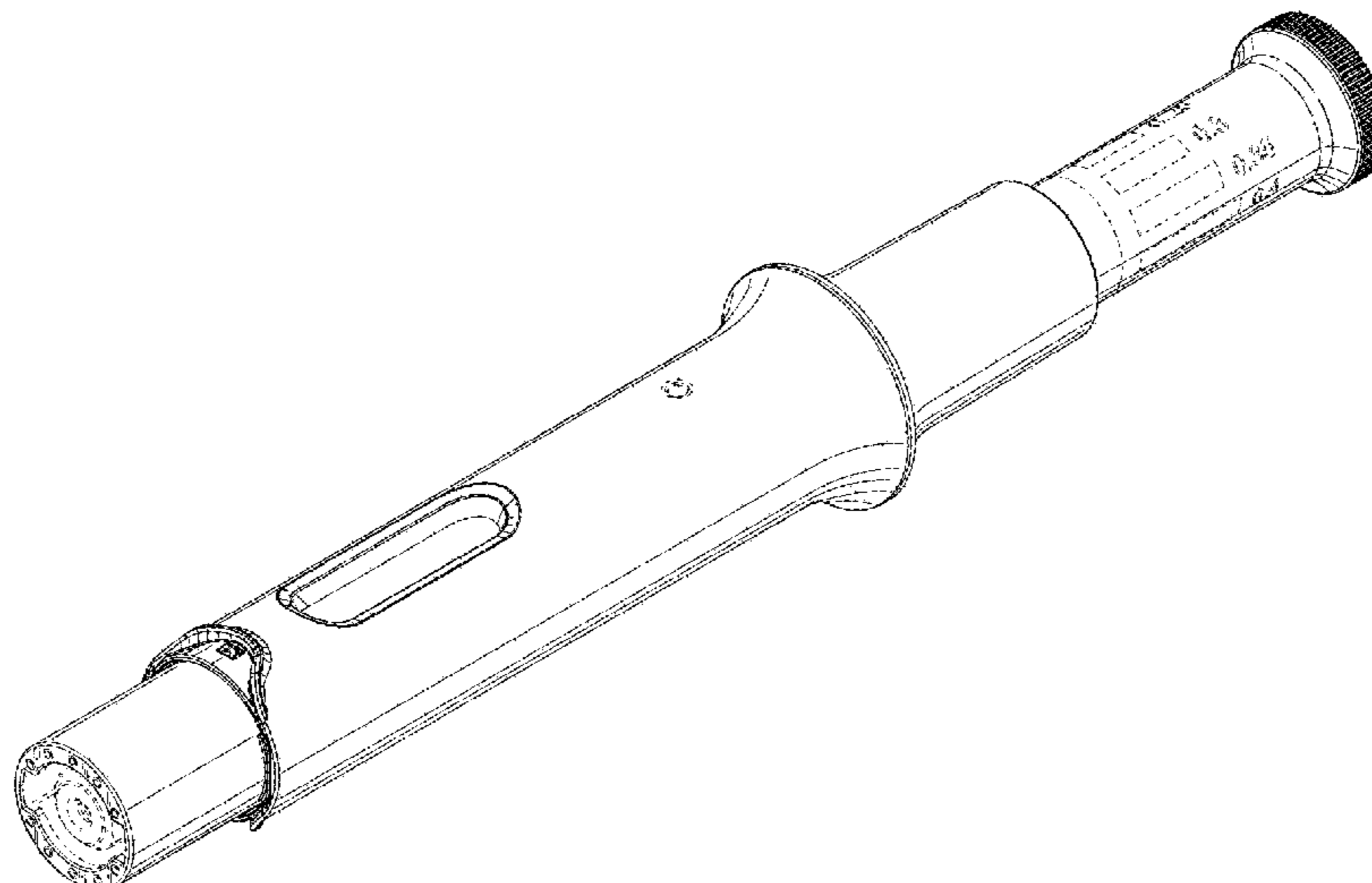
(57) **CLAIM**

The ornamental design for an injection device, as shown and described.

DESCRIPTION

FIG. 1 is a perspective view of an embodiment of an injection device;
FIG. 2 is a top plan view of the injection device;
FIG. 3 is a bottom plan view of the injection device;
FIG. 4 is a side view of the injection device;
FIG. 5 is an opposite side view of the injection device;
FIG. 6 is a front view of the injection device; and,
FIG. 7 is a rear view of the injection device.
The parts shown in broken dashed lines form no part of the claimed design.

1 Claim, 3 Drawing Sheets



(56)

References Cited

U.S. PATENT DOCUMENTS

D844,777 S * 4/2019 Combes D24/114

FOREIGN PATENT DOCUMENTS

JP	1454273	9/2012
JP	HJ25013375	6/2013
JP	1634750	5/2019

* cited by examiner

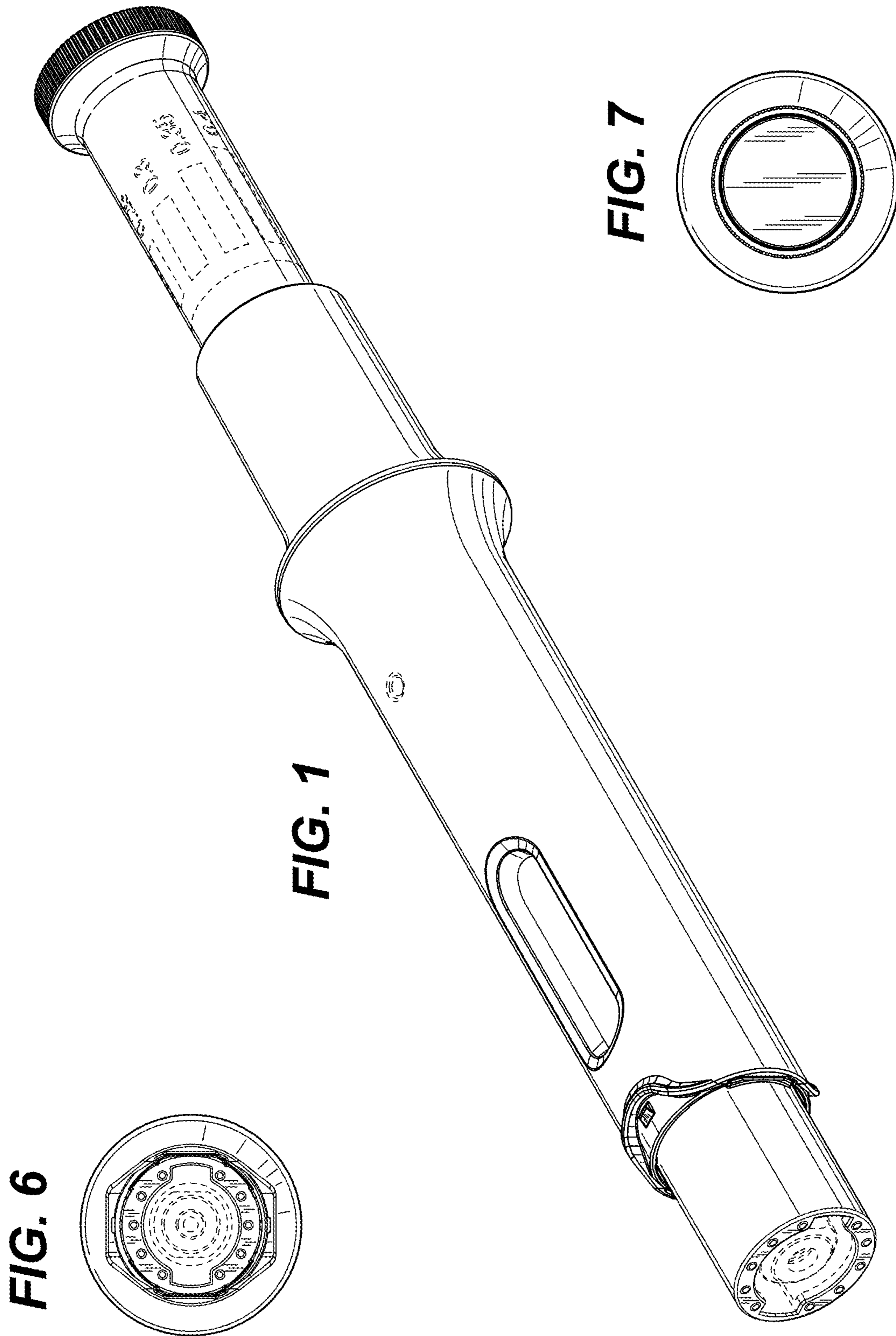


FIG. 2

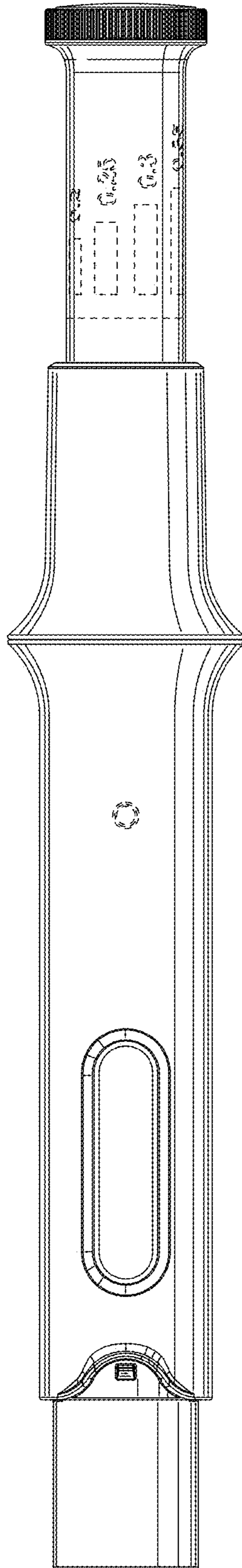


FIG. 3

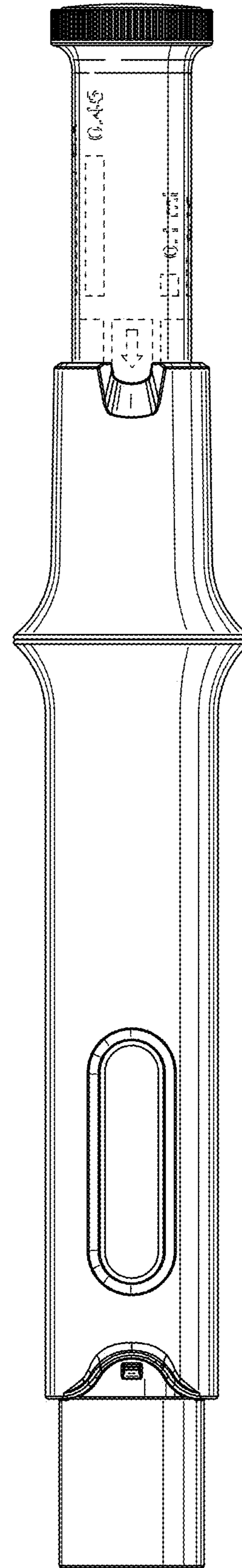


FIG. 4

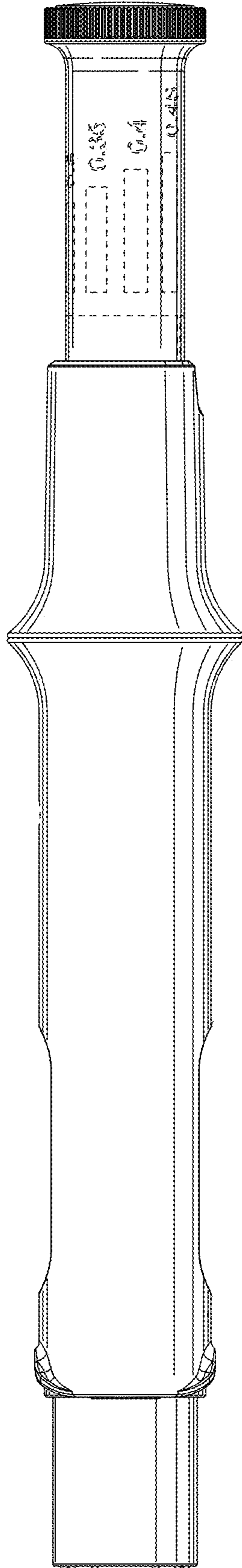


FIG. 5

