

US00D902391S

(12) **United States Design Patent** (10) **Patent No.:** **US D902,391 S**
Scrimgeour et al. (45) **Date of Patent:** **** Nov. 17, 2020**

(54) **GRIP ACCESSORY FOR A MANUAL INJECTION DEVICE**

FOREIGN PATENT DOCUMENTS

(71) Applicant: **Janssen Pharmaceuticals, Inc.**, Titusville, NJ (US)

EM 004024677-0002 5/2017
EM 004024677-0003 5/2017

(Continued)

(72) Inventors: **Ian Scrimgeour**, Dunbar (GB); **James McLusky**, Edinburgh (GB); **Nick Foley**, Edinburgh (GB); **Peter Krulevitch**, Pleasanton, CA (US); **Jimmy Mower**, Edinburgh (GB); **Michael Cannamela**, Atlantic Highlands, NJ (US); **Kui Liu**, Sunnyvale, CA (US)

OTHER PUBLICATIONS

International Trademark No. 1143335-S, Safety Syringes, Inc., Feb. 17, 2012.

(Continued)

(73) Assignee: **Janssen Pharmaceuticals, Inc.**, Titusville, NJ (US)

Primary Examiner — David G Muller

(74) *Attorney, Agent, or Firm* — Steven J. Schwarz

(**) Term: **15 Years**

(57) **CLAIM**

(21) Appl. No.: **29/737,586**

The ornamental design for a grip accessory for a manual injection device, as shown and described.

(22) Filed: **Jun. 10, 2020**

Related U.S. Application Data

DESCRIPTION

(62) Division of application No. 29/627,912, filed on Nov. 30, 2017, now Pat. No. Des. 888,941.

(30) **Foreign Application Priority Data**

May 30, 2017 (EM) 004024677

(51) **LOC (12) Cl.** **24-02**

(52) **U.S. Cl.**
USPC **D24/113**

(58) **Field of Classification Search**
USPC D24/112-114, 108, 133, 130, 127, 186;
606/181, 185; 604/264, 272, 187, 181,
604/184, 227

(Continued)

FIG. 1 is a perspective view from above and one side of an embodiment of a grip accessory for a manual injection device of the present invention;

FIG. 2 is a perspective view from below and the opposite side of the grip accessory for a manual injection device;

FIG. 3 is a side elevational view of the grip accessory for a manual injection device, the view of the opposite side corresponds;

FIG. 4 is an end elevational view of the grip accessory for a manual injection device, the view of the opposite end corresponds;

FIG. 5 is a top plan view of the grip accessory for a manual injection device; and,

FIG. 6 is a bottom plan view of the grip accessory for a manual injection device.

The ornamental design which is claimed is shown in solid lines in the drawings. The dashed broken lines are shown for the purpose of illustrating portions of the design that form no part of the claimed design.

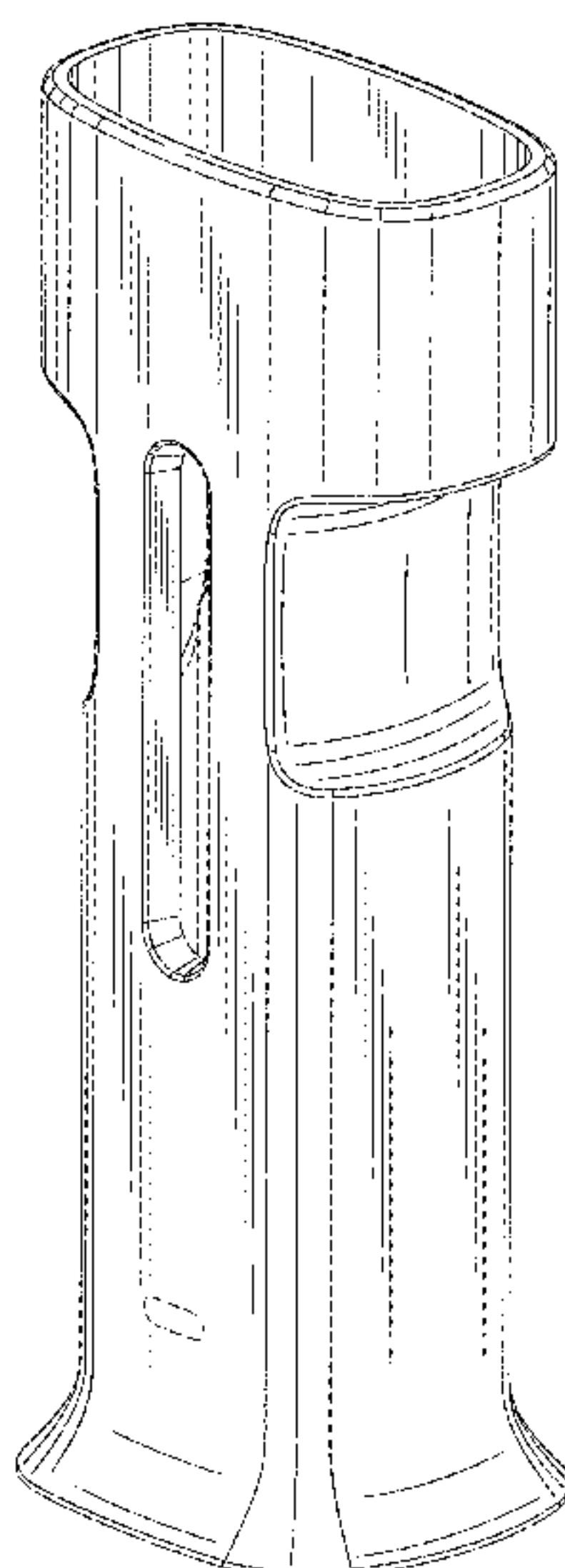
(56) **References Cited**

U.S. PATENT DOCUMENTS

5,163,918 A 11/1992 Righi et al.
6,623,459 B1 9/2003 Doyle

(Continued)

1 Claim, 5 Drawing Sheets



(58) **Field of Classification Search**
 CPC A61M 5/178; A61M 3/00; A61M 5/20;
 A61M 5/31; A61M 5/3146; A61M
 5/3129; A61M 5/3148; A61M 5/315
 See application file for complete search history.

(56) **References Cited**

U.S. PATENT DOCUMENTS

7,824,379	B2	11/2010	Doyle	
D634,424	S *	3/2011	Morejon	D24/146
D702,835	S *	4/2014	Vinchon	D24/130
D720,070	S *	12/2014	Khalaj	D24/144
D784,524	S *	4/2017	Corbin	D24/127
D784,526	S *	4/2017	Grunhut	D24/127
D784,527	S *	4/2017	Llewellyn-Hyde	D24/127
D816,834	S *	5/2018	Knight	D24/130
D816,835	S *	5/2018	Knight	D24/130
D818,575	S *	5/2018	Corbin	D24/113
D819,805	S *	6/2018	Knight	D24/114
2003/0093032	A1	5/2003	Py et al.	
2003/0144631	A1	7/2003	Doyle et al.	
2006/0106342	A1	5/2006	Cox	
2008/0269692	A1	10/2008	James et al.	
2008/0300549	A1	12/2008	Verespej et al.	
2011/0092915	A1	4/2011	Olson et al.	
2012/0232491	A1	9/2012	Jennings	
2014/0343505	A1	11/2014	Henley et al.	
2017/0014574	A1	1/2017	Ogawa	
2017/0157332	A1	6/2017	Nguyen	

FOREIGN PATENT DOCUMENTS

EM	004024677 0004	5/2017
EP	2623145	8/2013

FR	3025433	3/2016
GB	2308302	11/1997
JP	D1341211	9/2008
JP	D1341392	9/2008
JP	D1354787	2/2009
JP	D1557827	8/2016
JP	D1558612	8/2016
JP	D1564673	11/2016
JP	D1565060	11/2016
JP	D1571037	2/2017
JP	D1571038	2/2017
JP	D1571040	2/2017
KR	300876368	10/2016
KR	300891458	1/2017
WO	WO 1995/007722	3/1995
WO	WO 2004/069302	8/2004
WO	WO 2007/047200	4/2007
WO	WO 2015/044561	4/2015
WO	WO 2017/089266	6/2017
WO	WO 2018/222574	12/2018
WO	WO 2018/222575	12/2018

OTHER PUBLICATIONS

Janssen Pharmaceuticals, Inc., U.S. Appl. No. 29/676,220.
 International Search Report dated Sep. 3, 2018; International Appli-
 cation No. PCT/US2018/034850.
 International Search Report dated Aug. 30, 2018; International
 Application No. PCT/US2018/034849.
 International Search Report dated Aug. 21, 2018; International
 Application No. PCT/US2018/034852.

* cited by examiner

FIG. 1

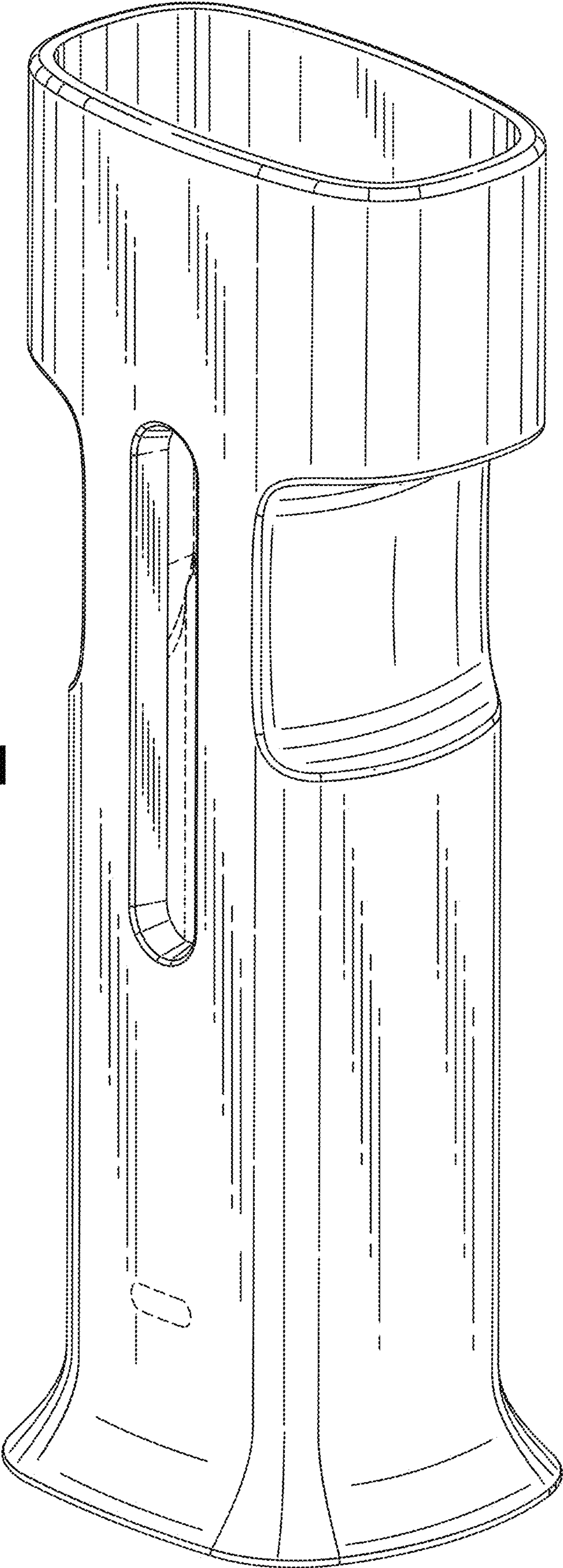


FIG. 2

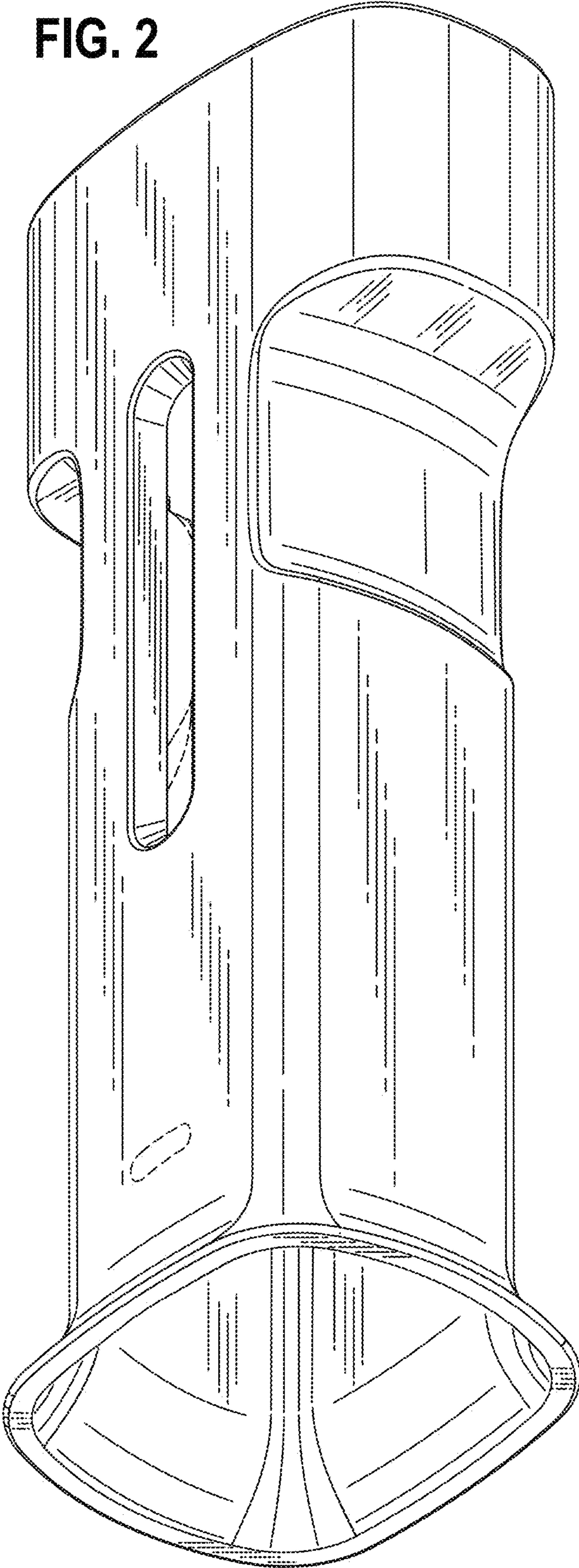


FIG. 3

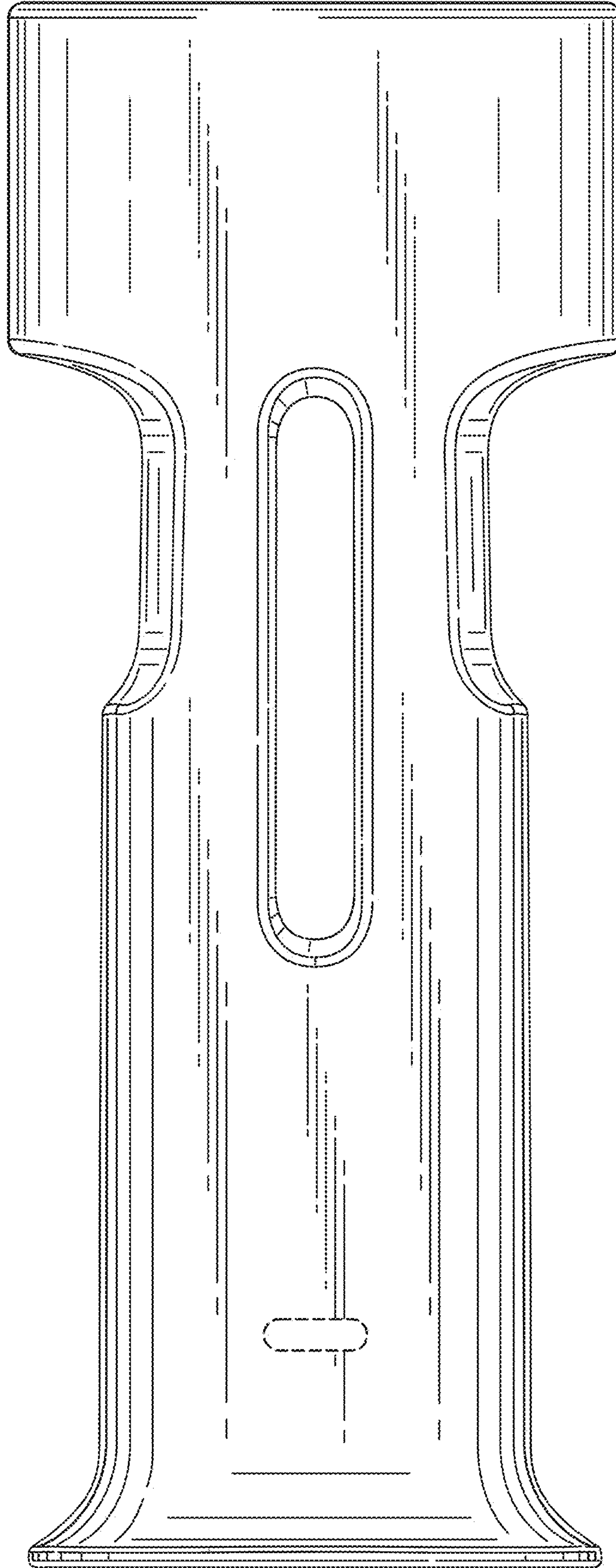


FIG. 4

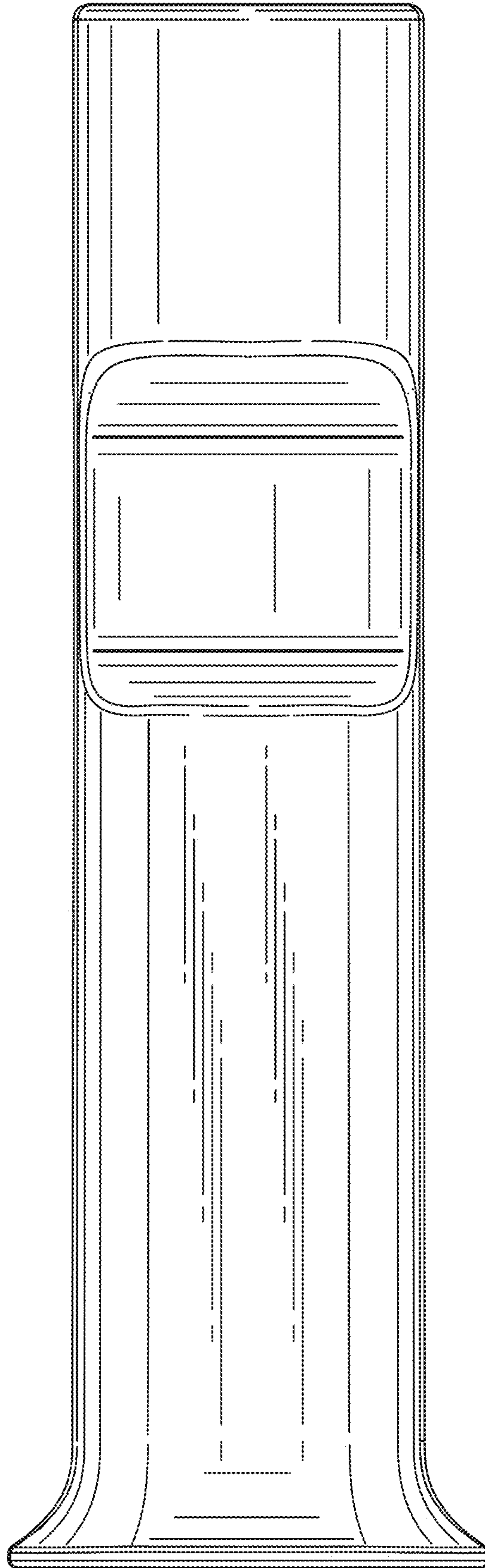


FIG. 5

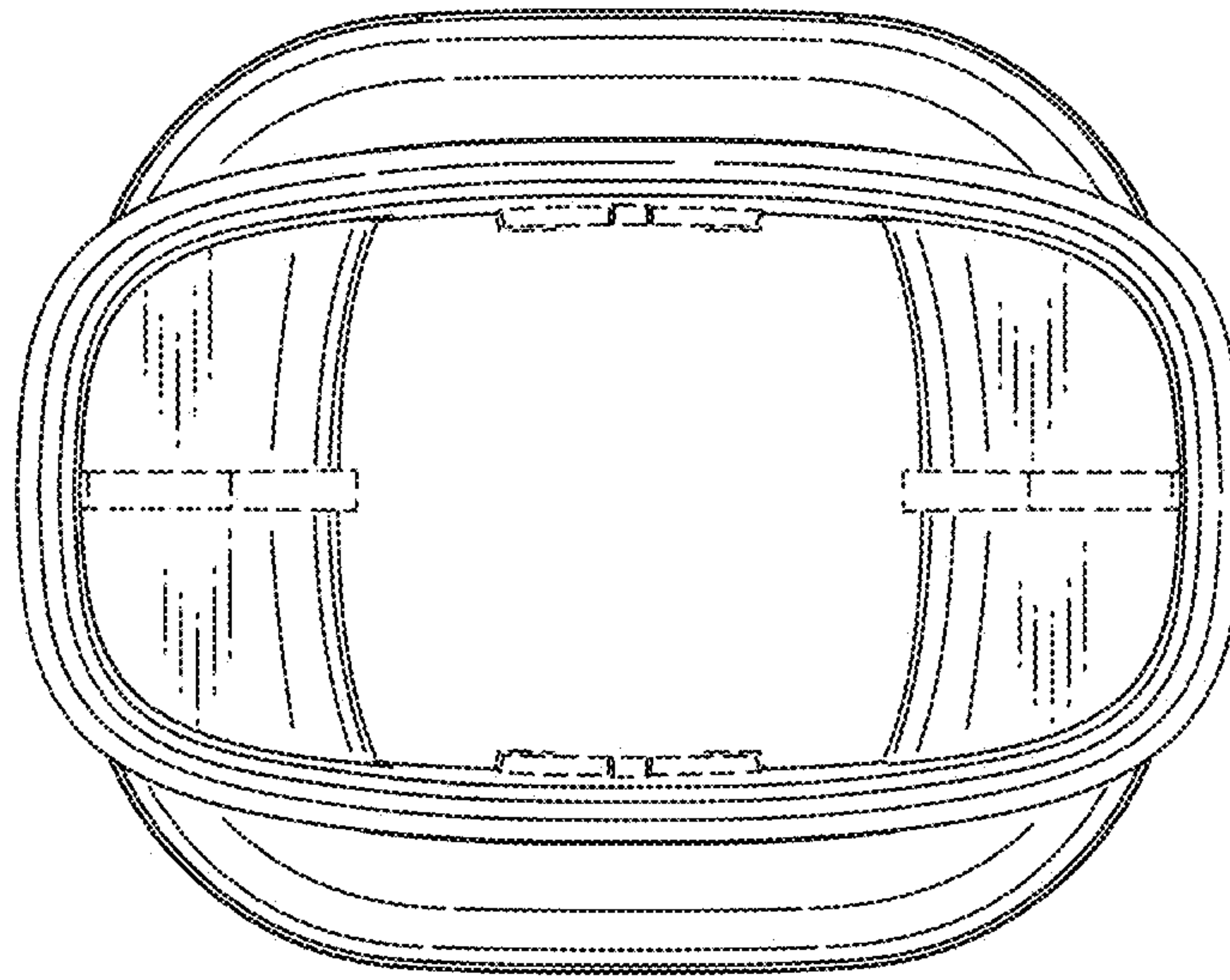


FIG. 6

