



US00D902386S

(12) **United States Design Patent**  
**Guala**

(10) **Patent No.:** **US D902,386 S**

(45) **Date of Patent:** **\*\* Nov. 17, 2020**

(54) **DRIP CHAMBER AND SPIKE ASSEMBLY FOR MEDICAL LINES**

(71) Applicant: **INDUSTRIE BORLA S.p.A.**,  
Moncalieri (IT)

(72) Inventor: **Gianni Guala**, Turin (IT)

(73) Assignee: **INDUSTRIE BORLA S.p.A.**, Turin  
(IT)

(\*\*) Term: **15 Years**

(21) Appl. No.: **29/671,419**

(22) Filed: **Nov. 27, 2018**

(30) **Foreign Application Priority Data**

Jun. 1, 2018 (EM) ..... 005293313-0001

(51) **LOC (12) Cl.** ..... **24-02**

(52) **U.S. Cl.**  
USPC ..... **D24/112**

(58) **Field of Classification Search**

USPC ..... D24/112-114, 108, 130, 127, 133, 186;  
606/181, 185; 604/264, 523-528, 272,  
604/164.01-164.11, 187, 93.01; 600/101,  
600/139, 143; 128/200.24, 207.14,  
128/207.15

CPC .. A61M 25/065; A61M 5/42; A61M 25/0612;  
A61M 25/00; A61M 39/00; A61M 27/00;  
A61M 25/0043; A61M 25/0067; A61M  
25/0097; A61F 2/958

See application file for complete search history.

(56) **References Cited**

**U.S. PATENT DOCUMENTS**

D467,340 S \* 12/2002 Mayer ..... D24/133  
D562,977 S \* 2/2008 Forlenza ..... D24/133

D569,508 S \* 5/2008 Bacher ..... D24/133  
D588,693 S \* 3/2009 Strong ..... D24/112  
D591,417 S \* 4/2009 Nichetti ..... D24/108  
D597,668 S \* 8/2009 Woodruff ..... D24/133  
D605,282 S \* 12/2009 Nichetti ..... D24/108  
D683,842 S \* 6/2013 Wang ..... D24/108  
D760,890 S \* 7/2016 Guala ..... D24/112  
D799,033 S \* 10/2017 Ashman-Stauss ..... D24/130  
D816,831 S \* 5/2018 Sacchetti ..... D24/127  
D851,753 S \* 6/2019 Green ..... D24/112  
D870,883 S \* 12/2019 Harding ..... D24/130

\* cited by examiner

*Primary Examiner* — David G Muller

(74) *Attorney, Agent, or Firm* — Heslin Rothenberg  
Farley & Mesiti P.C.; Victor A. Cardona, Esq.

(57) **CLAIM**

I claim the ornamental design for a drip chamber and spike assembly for medical lines, as shown and described.

**DESCRIPTION**

FIG. 1 shows a perspective view from above of a drip chamber and spike assembly for medical lines showing the new design;

FIG. 2 shows a front side view thereof;

FIG. 3 shows a rear side view thereof;

FIG. 4 shows a right lateral view thereof;

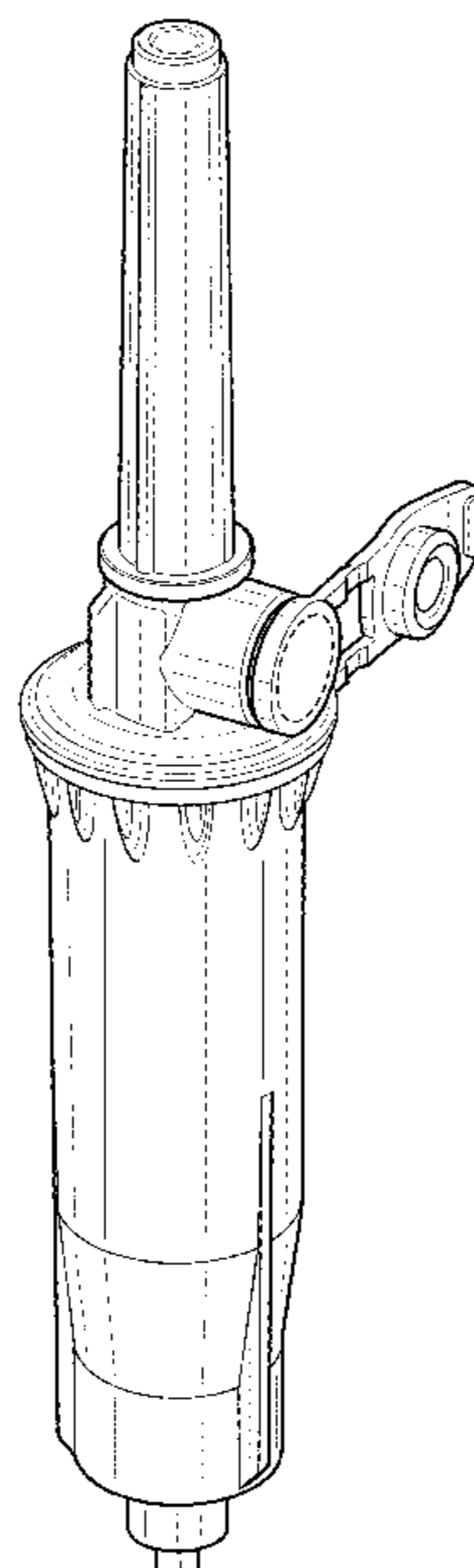
FIG. 5 shows a left lateral view thereof;

FIG. 6 shows a top end view thereof; and,

FIG. 7 shows a bottom end view thereof.

The broken line showing of parts of the drawings is included for the purpose of illustrating use and environment and forms no part of the claimed design.

**1 Claim, 7 Drawing Sheets**



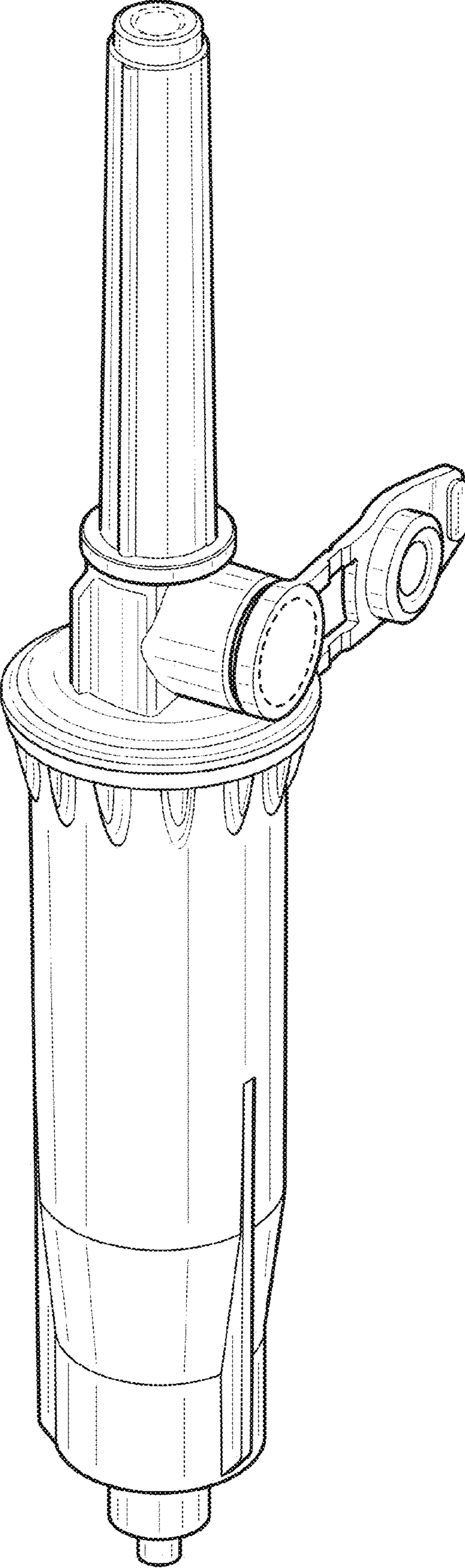


FIG. 1

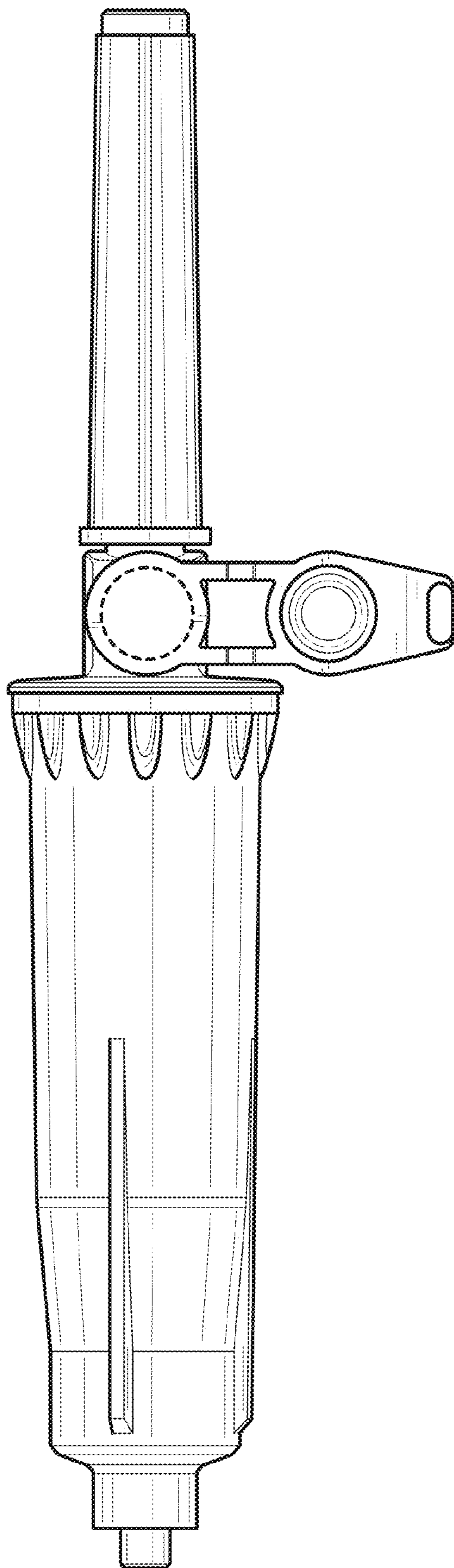


FIG. 2

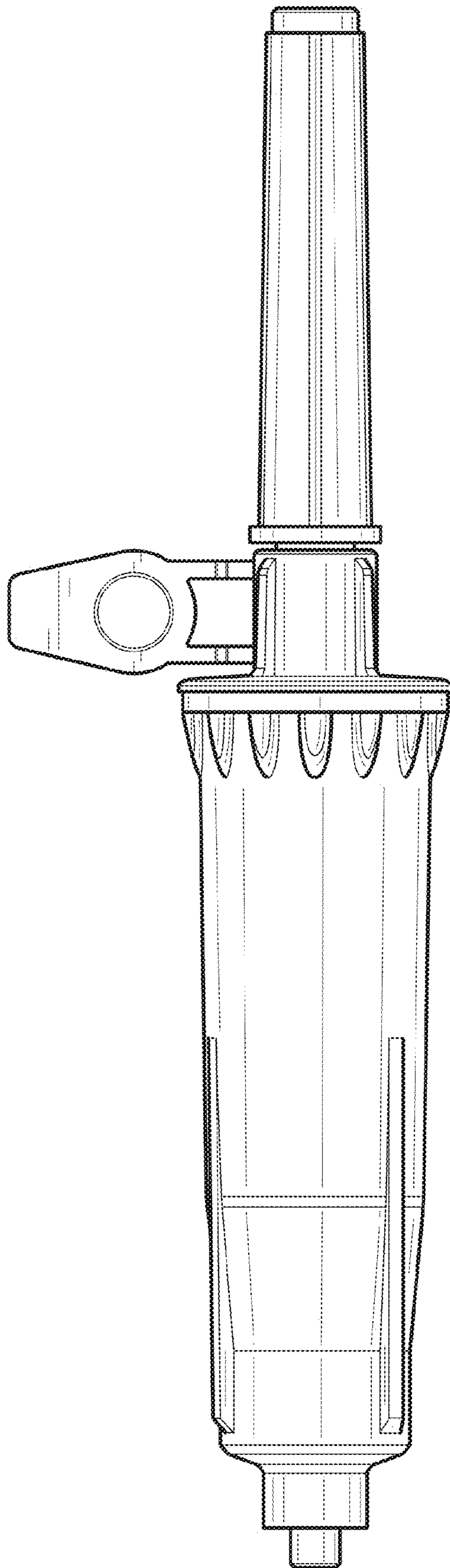


FIG. 3

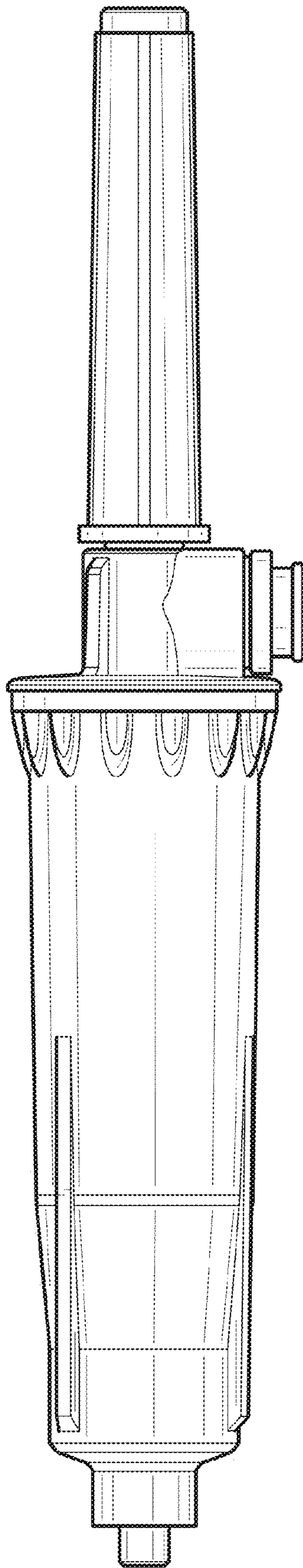


FIG. 4

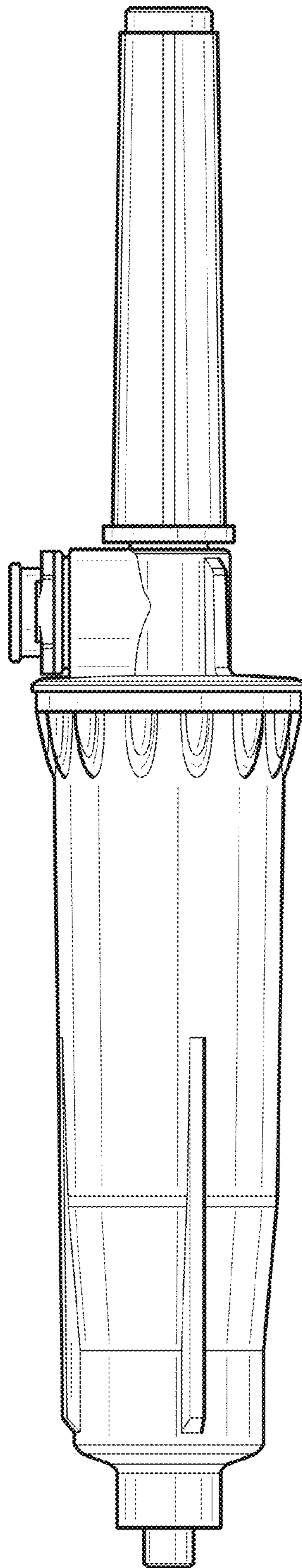


FIG. 5

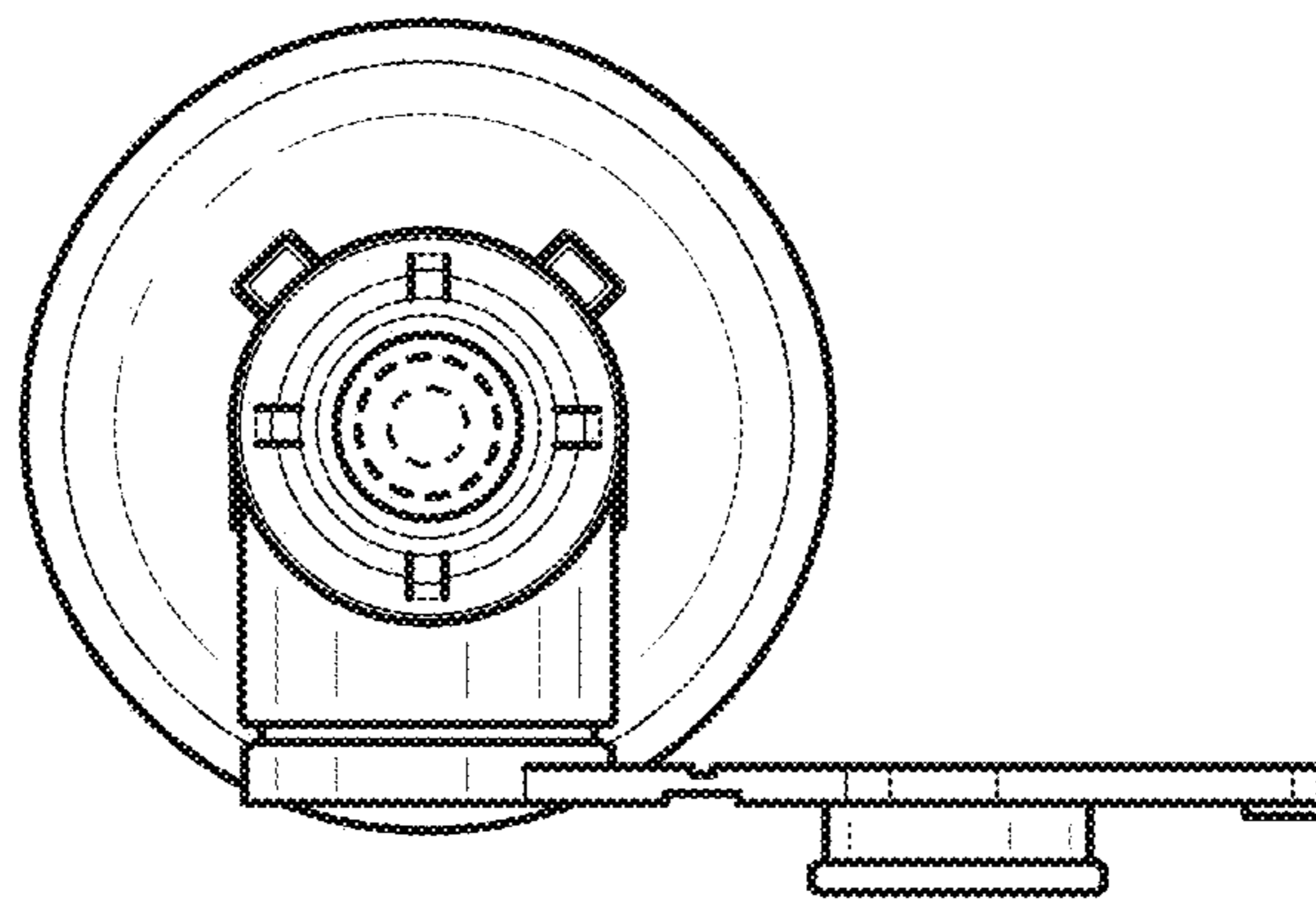


FIG. 6

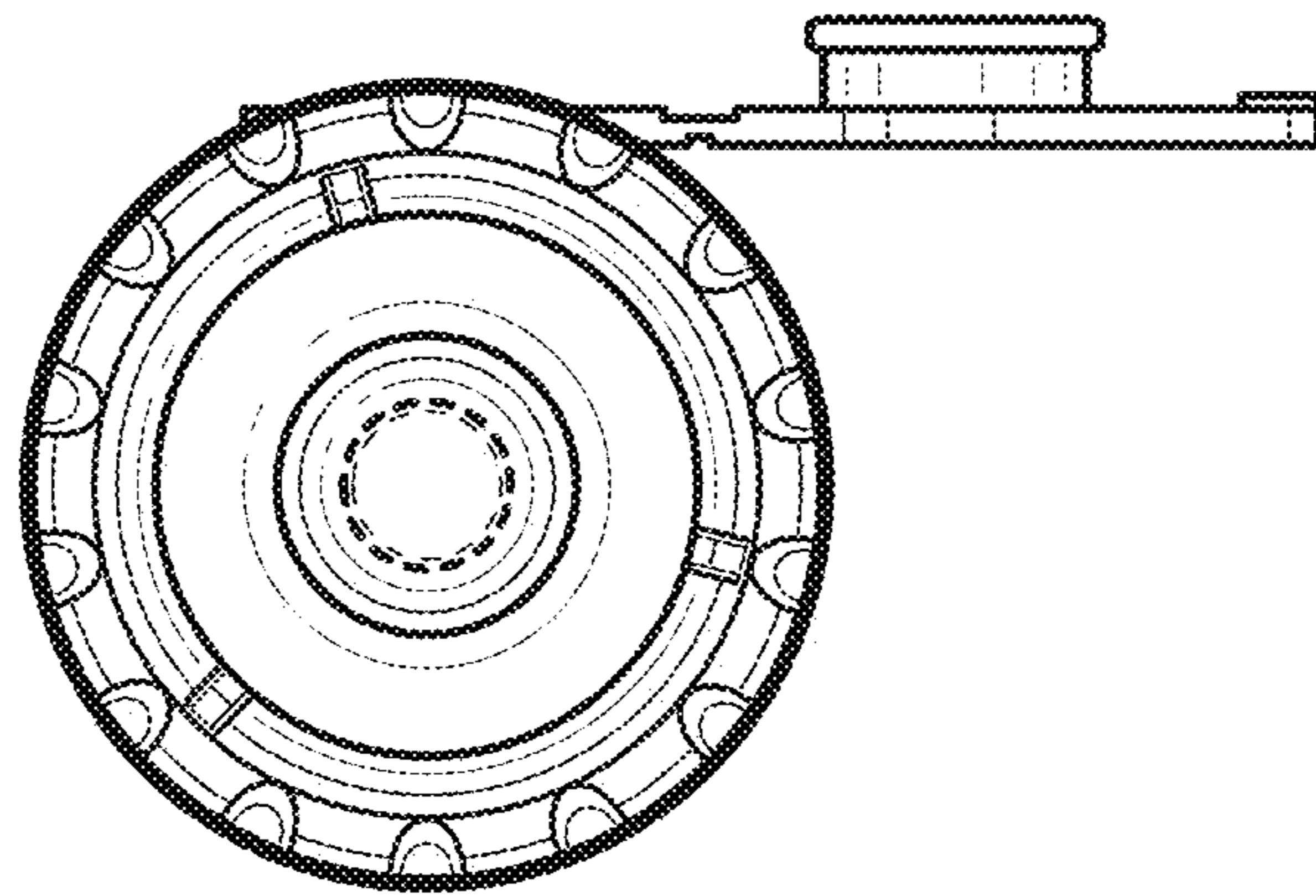


FIG. 7