



US00D902383S

(12) **United States Design Patent** (10) **Patent No.:** **US D902,383 S**
Bornholdt et al. (45) **Date of Patent:** **** *Nov. 17, 2020**

- (54) **HEADGEAR FOR A PATIENT INTERFACE**
- (71) Applicant: **Fisher & Paykel Healthcare Limited**,
Auckland (NZ)
- (72) Inventors: **Melissa Catherine Bornholdt**,
Auckland (NZ); **Simon Mittermeier**,
Auckland (NZ); **Dana Willfroth**,
Auckland (NZ); **Bruce Michael Walls**,
Auckland (NZ)
- (73) Assignee: **Fisher & Paykel Healthcare Limited**,
Auckland (NZ)

- D706,413 S 6/2014 Veliss et al.
- D740,934 S 10/2015 Formica et al.
- D769,440 S 10/2016 Amarasinghe et al.
- 9,539,403 B2 1/2017 Eves et al.
- D782,030 S 3/2017 Prentice et al.

(Continued)

Primary Examiner — Lilyana Bekic
(74) *Attorney, Agent, or Firm* — Knobbe, Martens, Olson
& Bear, LLP

(*) Notice: This patent is subject to a terminal disclaimer.

(**) Term: **15 Years**

(21) Appl. No.: **29/711,000**

(22) Filed: **Oct. 28, 2019**

Related U.S. Application Data

(63) Continuation of application No. 29/602,698, filed on
May 2, 2017, now Pat. No. Des. 868,959.

(51) **LOC (12) Cl.** **29-02**

(52) **U.S. Cl.**
USPC **D24/110.1**

(58) **Field of Classification Search**
USPC D24/110.1–110.5, 127–128; D29/108,
D29/122

CPC A61M 16/0622; A61M 16/0616; A61M
16/0605; A61M 16/0644; A61M 16/0633;
A61M 16/06; A61M 16/0683

See application file for complete search history.

(56) **References Cited**

U.S. PATENT DOCUMENTS

- D693,459 S 11/2013 Prentice et al.
- D695,887 S 12/2013 Ozolins et al.

(57) **CLAIM**
The ornamental design for a headgear for a patient interface,
as shown and described.

DESCRIPTION

FIG. 1 is a rear, top and right side perspective view of the
headgear for a patient interface in a laid flat non-use con-
figuration.

FIG. 2 is a front view thereof.

FIG. 3 is a rear view thereof.

FIG. 4 is a top view thereof.

FIG. 5 is a bottom view thereof.

FIG. 6 is a left side view thereof.

FIG. 7 is a right side view thereof.

FIG. 8 is a front, top and right side perspective view of the
headgear for a patient interface of FIGS. 1 to 7 arranged in
an in use configuration to wrap around a user's head.

FIG. 9 is a front view thereof.

FIG. 10 is a rear view thereof.

FIG. 11 is a top view thereof.

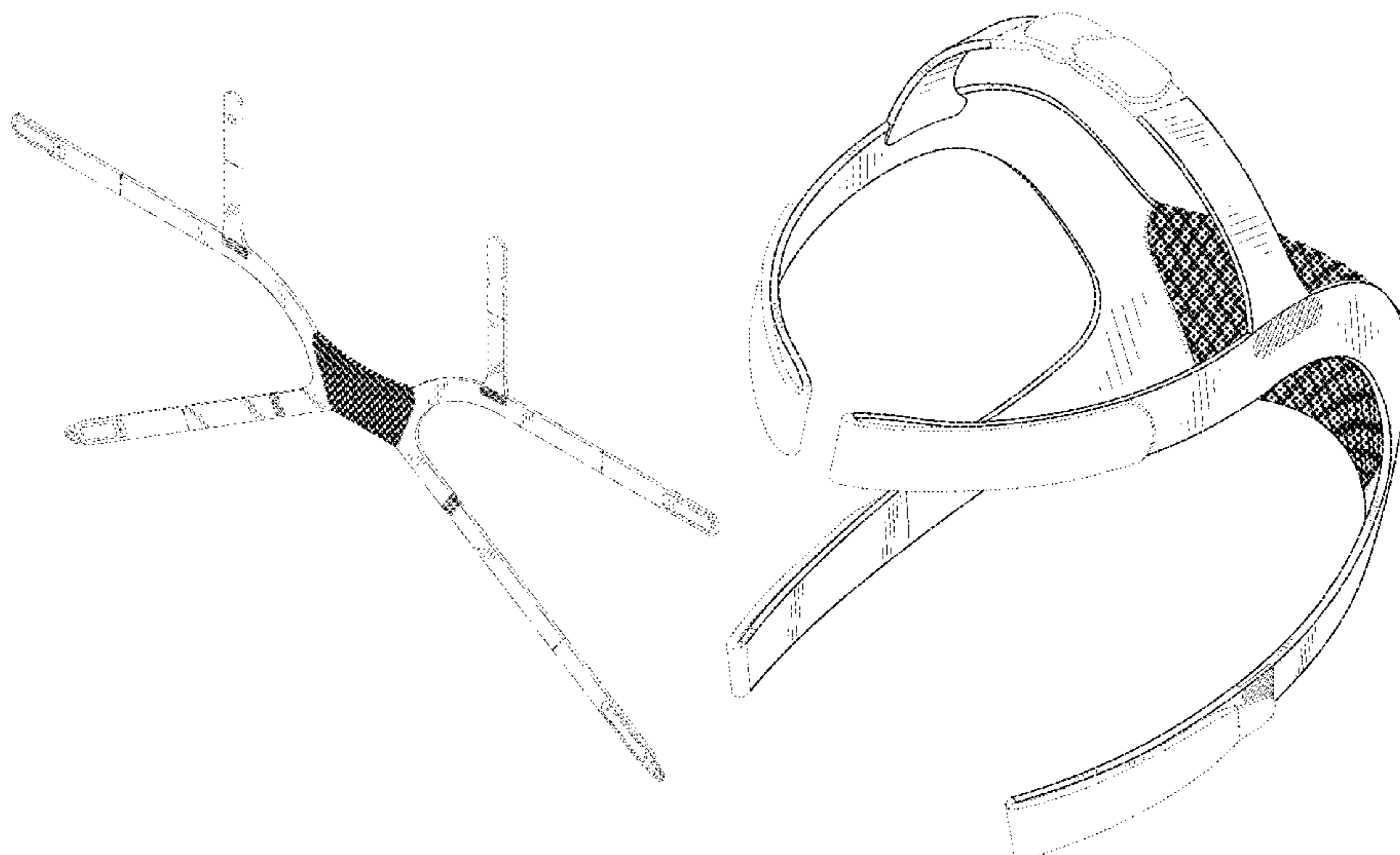
FIG. 12 is a bottom view thereof.

FIG. 13 is a left side view thereof; and,

FIG. 14 is a right side view thereof.

The dashed lines in the drawings illustrate portions of the
headgear for a patient interface which form no part of the
claimed design. The broken line zigzag stitching forms no
part of the claimed design. The dash-dot lines are used to
define the boundaries of the claimed design and form no part
thereof.

1 Claim, 14 Drawing Sheets



(56)

References Cited

U.S. PATENT DOCUMENTS

D782,655 S 3/2017 Blanch et al.
 D784,515 S 4/2017 Prentice et al.
 9,744,385 B2 8/2017 Henry et al.
 D797,277 S 9/2017 Blanch et al.
 D810,277 S 2/2018 Amarasinghe et al.
 D837,971 S 1/2019 Prentice et al.
 10,207,072 B2 2/2019 Dunn et al.
 10,335,568 B2 7/2019 Amarasinghe et al.
 10,413,692 B2 * 9/2019 Law A61M 16/0616
 10,456,545 B2 * 10/2019 Barlow A61M 16/0622
 D871,569 S * 12/2019 Barbara D24/110.1
 10,518,054 B2 * 12/2019 Olsen A61M 16/0616
 D876,616 S * 2/2020 Prentice D24/110.1
 10,576,234 B2 * 3/2020 Brown A61M 16/0683
 10,603,461 B2 * 3/2020 Skipper A61M 16/0816
 2014/0096774 A1 4/2014 Olsen et al.
 2015/0000671 A1 1/2015 Frerichs et al.

2016/0250436 A1 9/2016 Brown et al.
 2016/0325067 A1 11/2016 Harwood et al.
 2016/0354572 A1 12/2016 Lim
 2017/0065786 A1 3/2017 Stephenson et al.
 2017/0157353 A1 6/2017 Olsen et al.
 2018/0008794 A1 1/2018 Salmon et al.
 2018/0036505 A1 2/2018 Bornholdt et al.
 2018/0185598 A1 7/2018 Olsen et al.
 2019/0143072 A1 5/2019 Arrowsmith et al.
 2019/0217040 A1 * 7/2019 Amarasinghe A61M 16/06
 2019/0351163 A1 * 11/2019 Olsen A61M 16/0683
 2019/0351171 A1 * 11/2019 Islava A61M 16/0683
 2019/0351172 A1 * 11/2019 Formica A61M 16/0683
 2020/0016357 A1 * 1/2020 McAuley A61M 16/0616
 2020/0054850 A1 * 2/2020 Davidson A61M 16/0816
 2020/0054851 A1 * 2/2020 Gulliver A61M 16/0688
 2020/0121880 A1 * 4/2020 Olsen A61M 16/0683
 2020/0204895 A1 * 6/2020 Wendling A61M 16/024
 2020/0206446 A1 * 7/2020 Blaxland A61M 16/0683

* cited by examiner

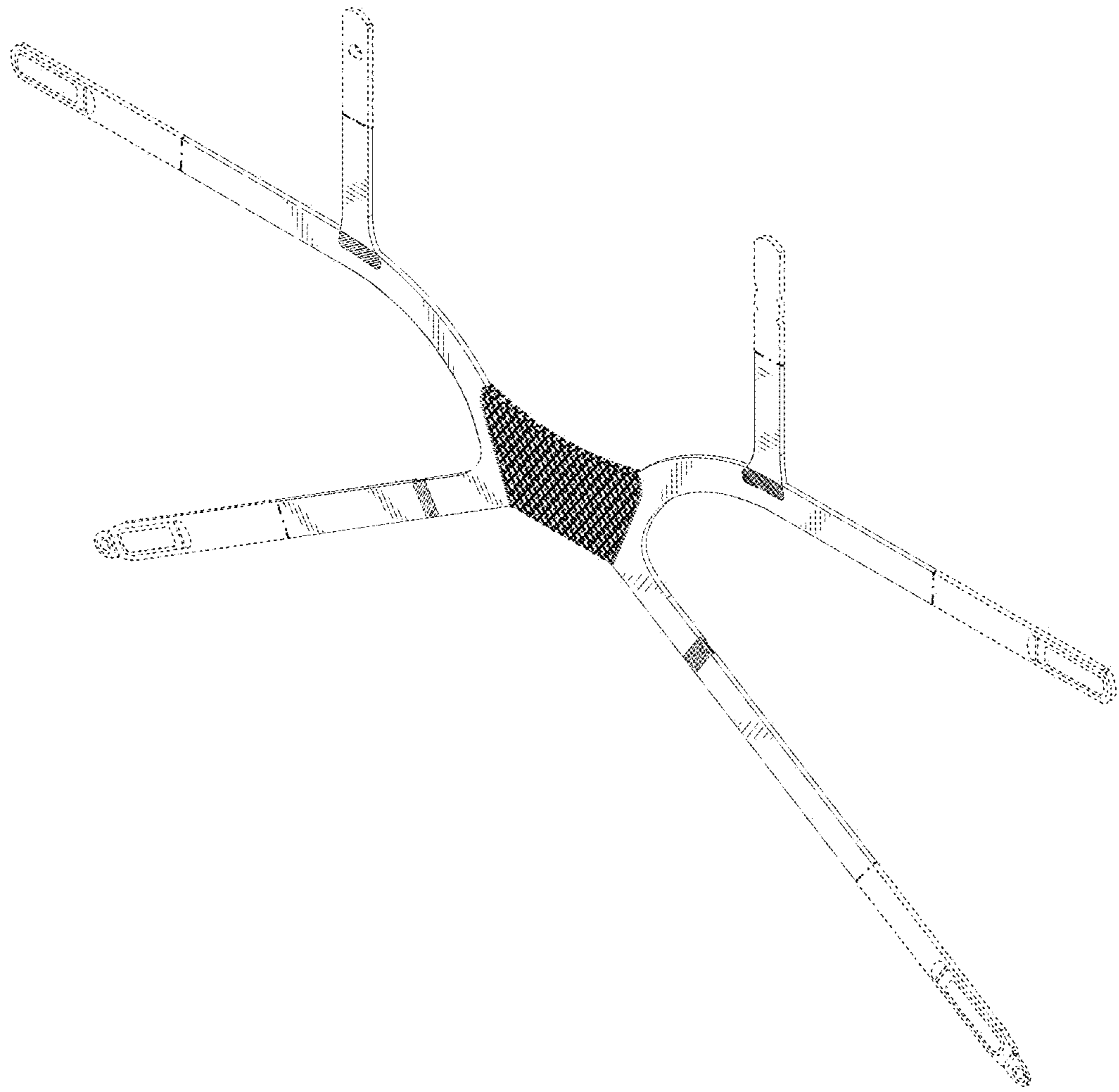


FIG. 1

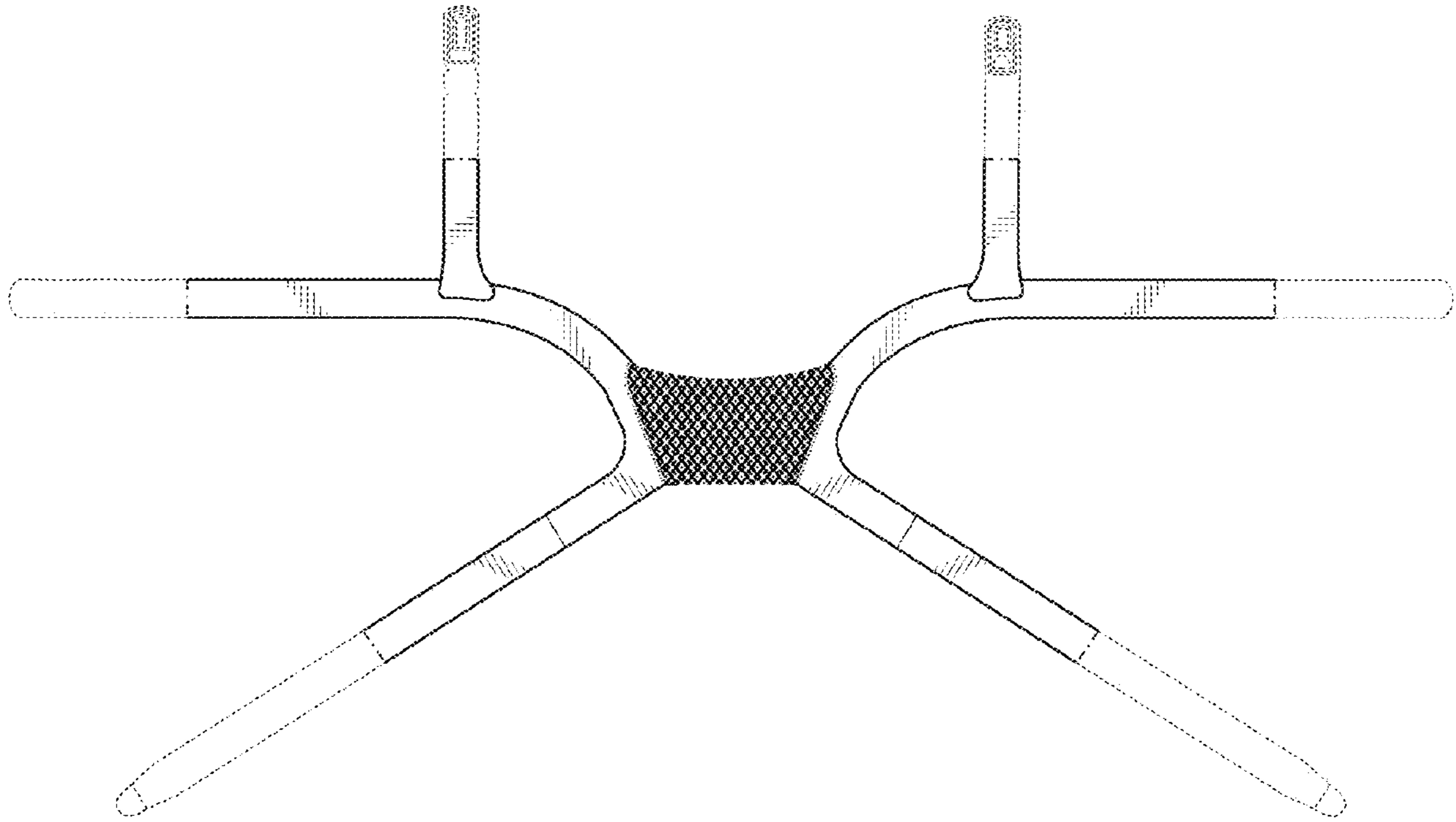


FIG. 2

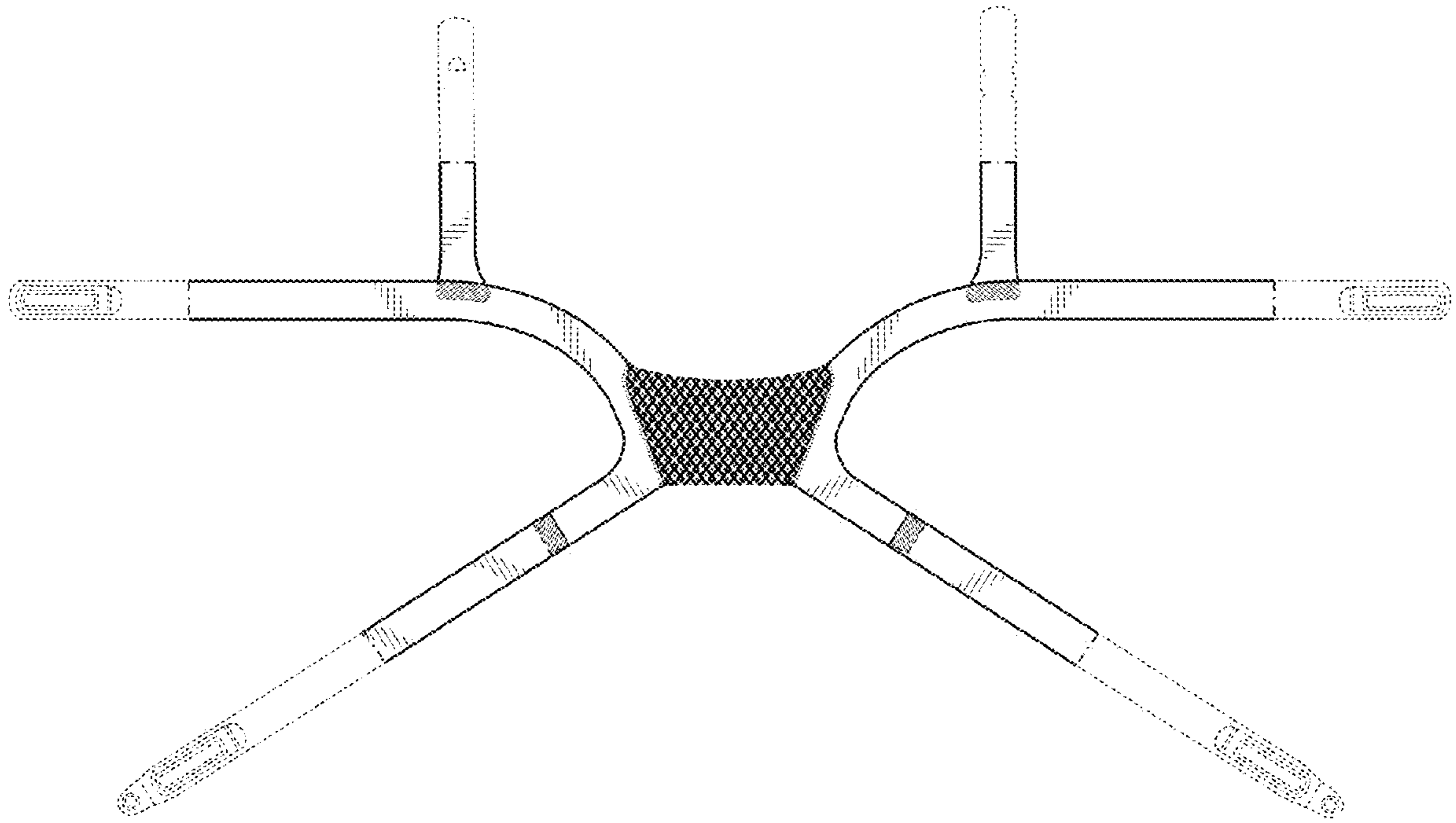


FIG. 3



FIG. 4



FIG. 5



FIG. 6



FIG. 7

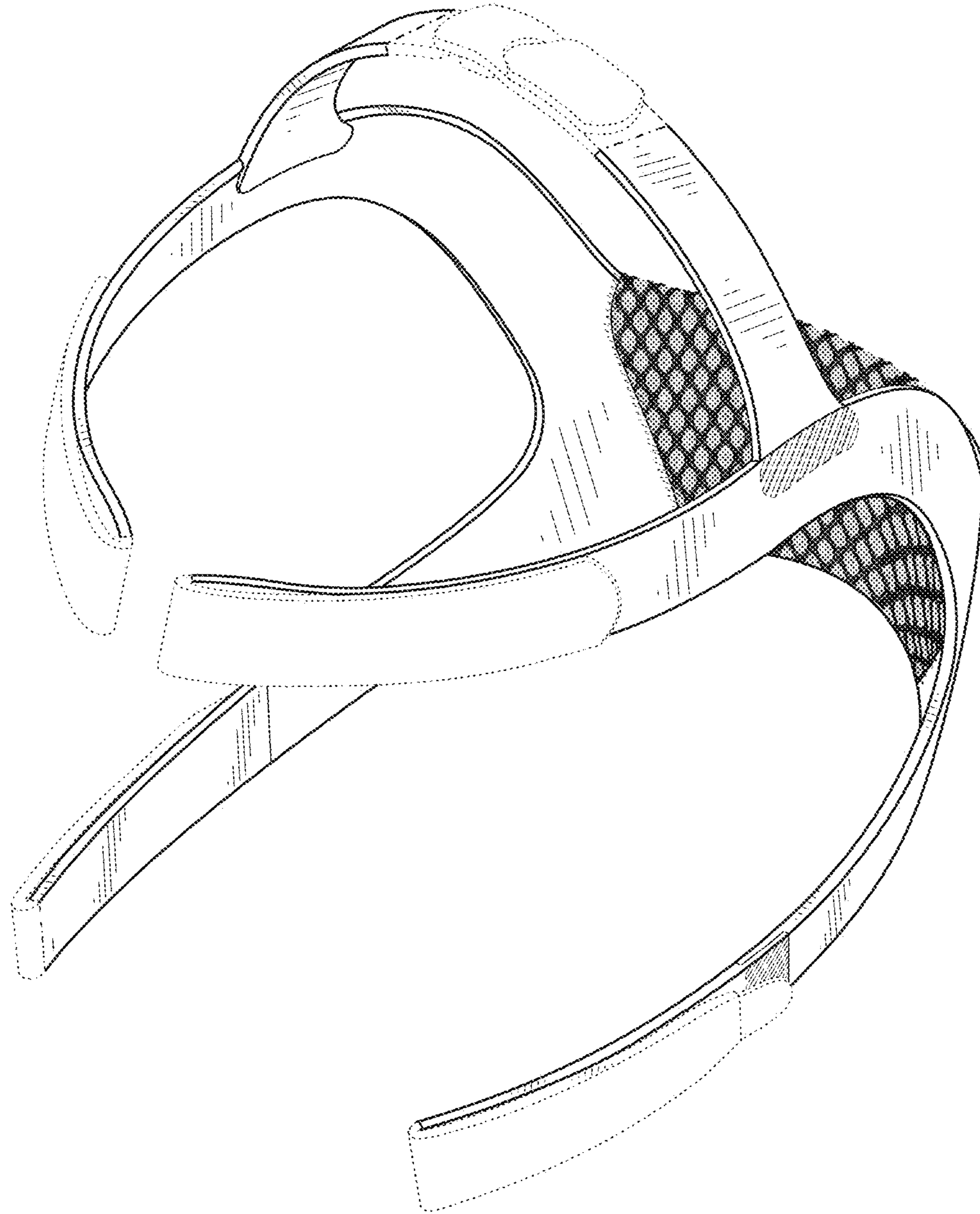


FIG. 8

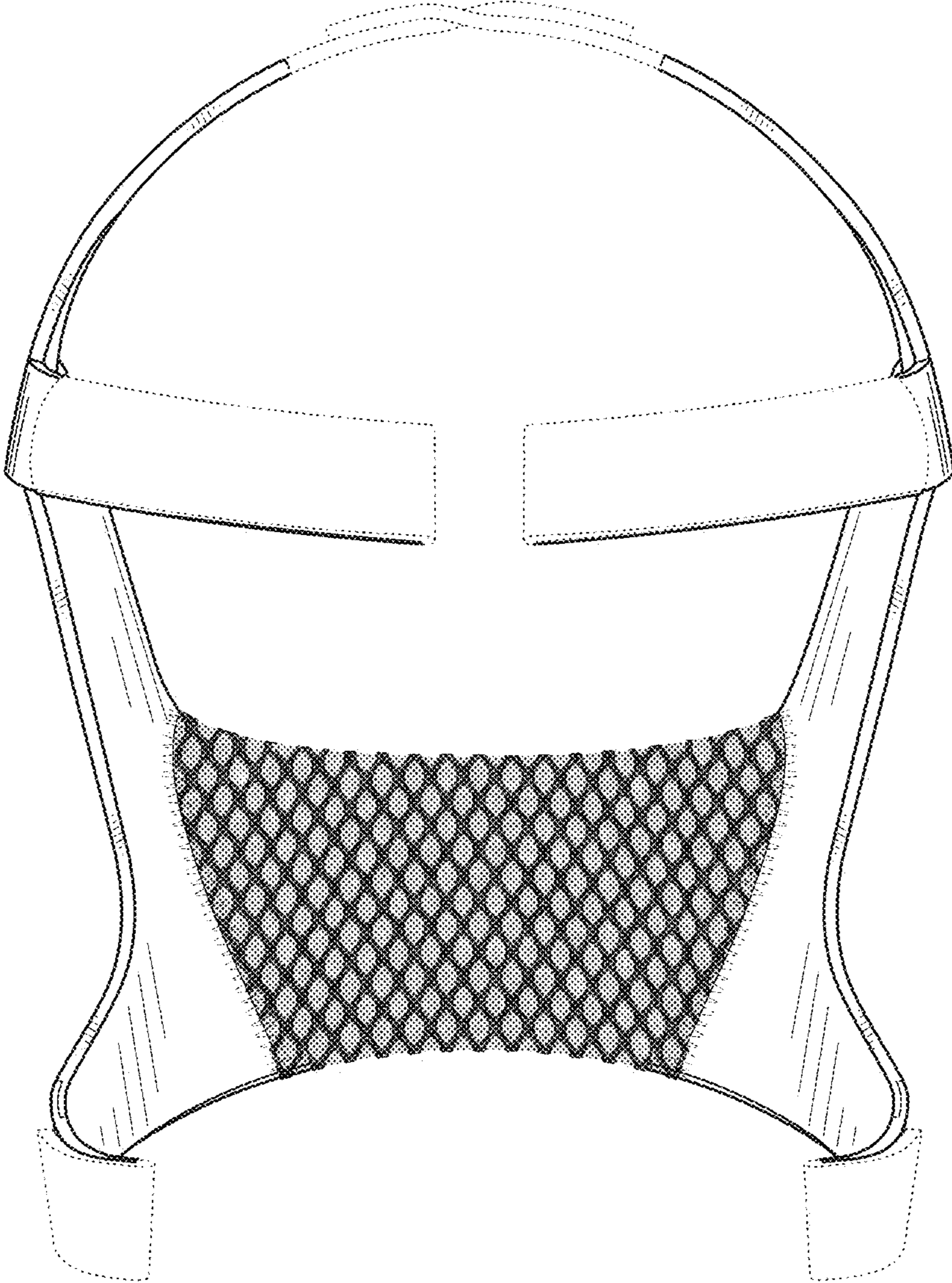


FIG. 9

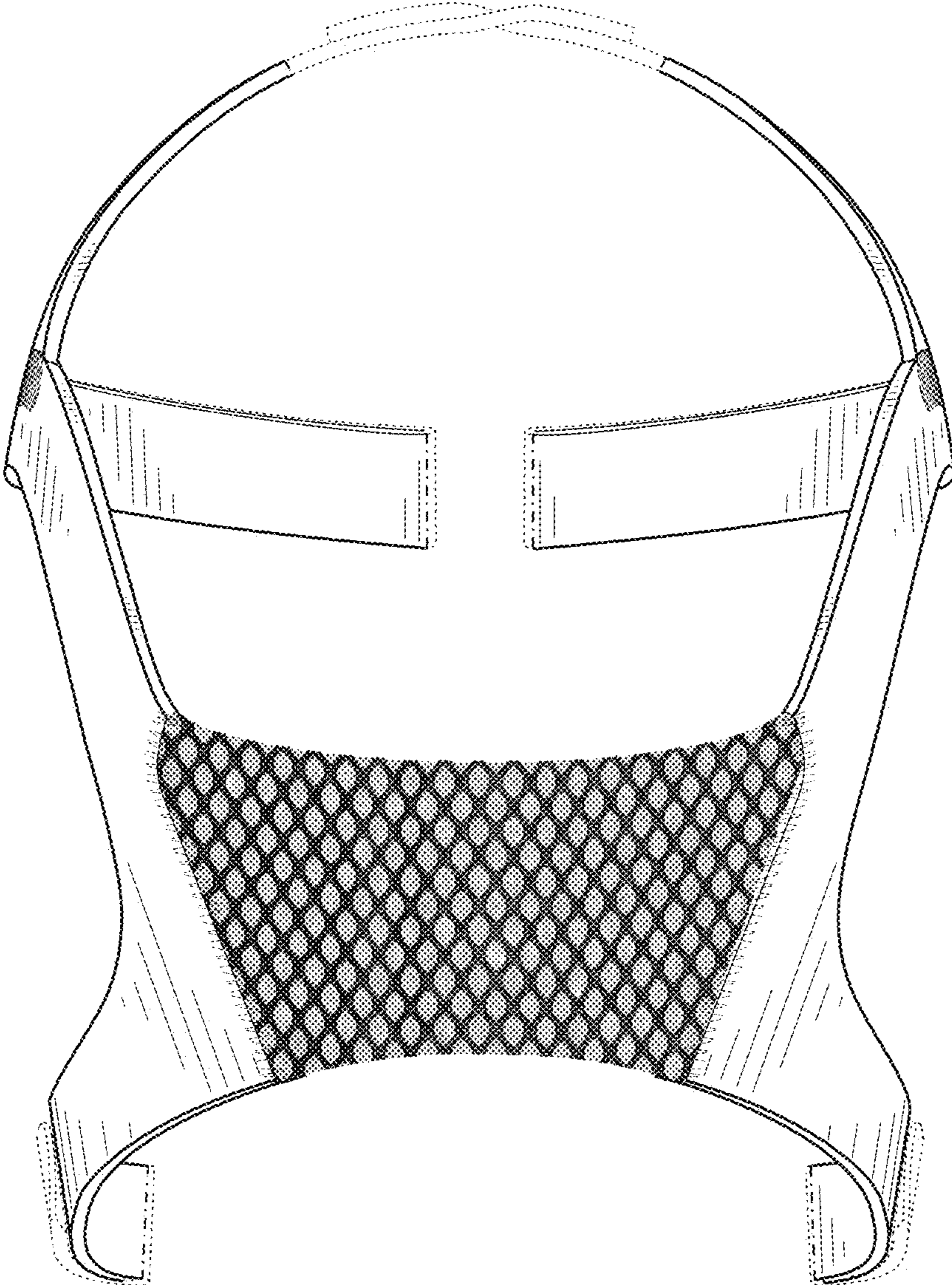


FIG. 10

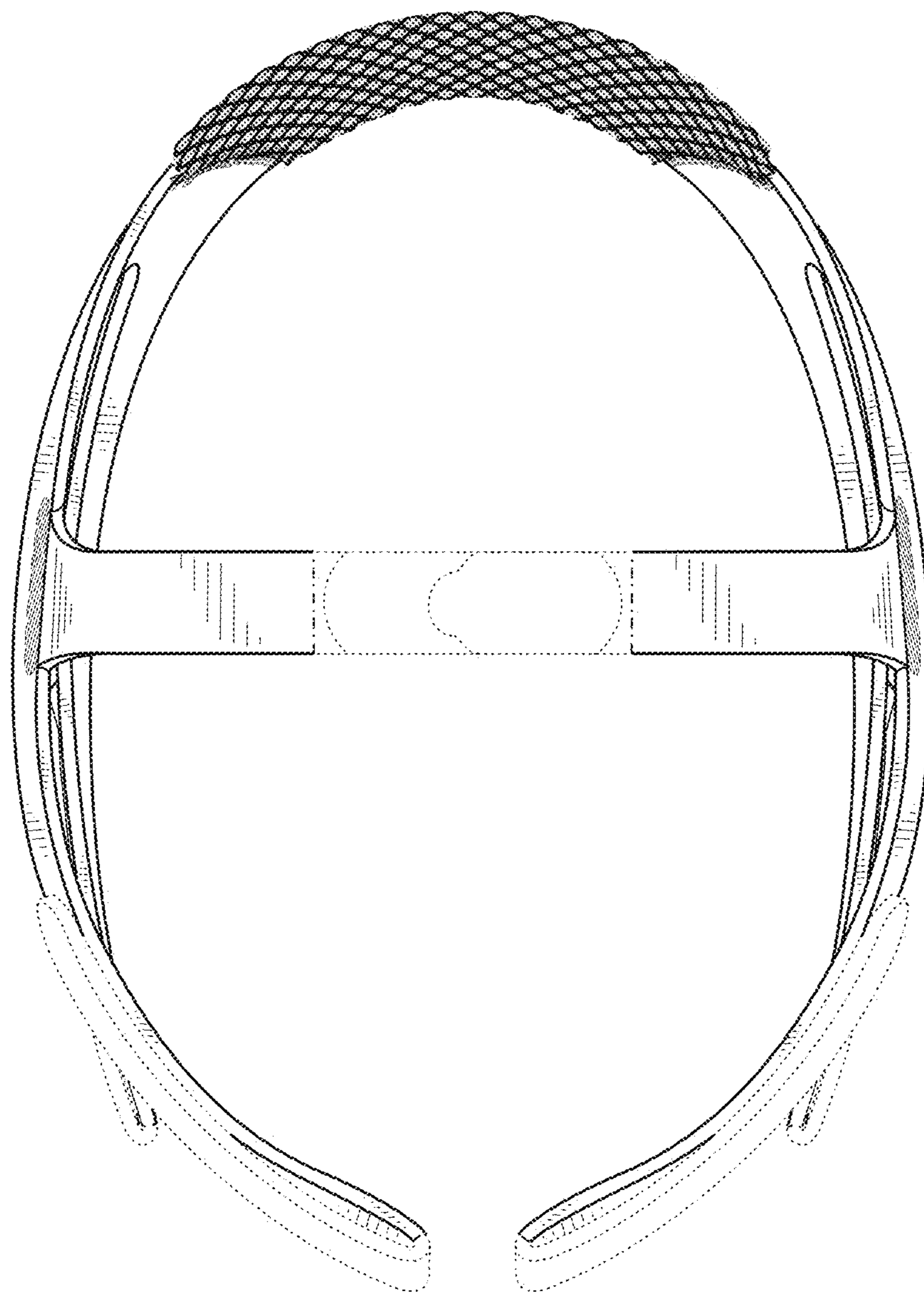


FIG. 11

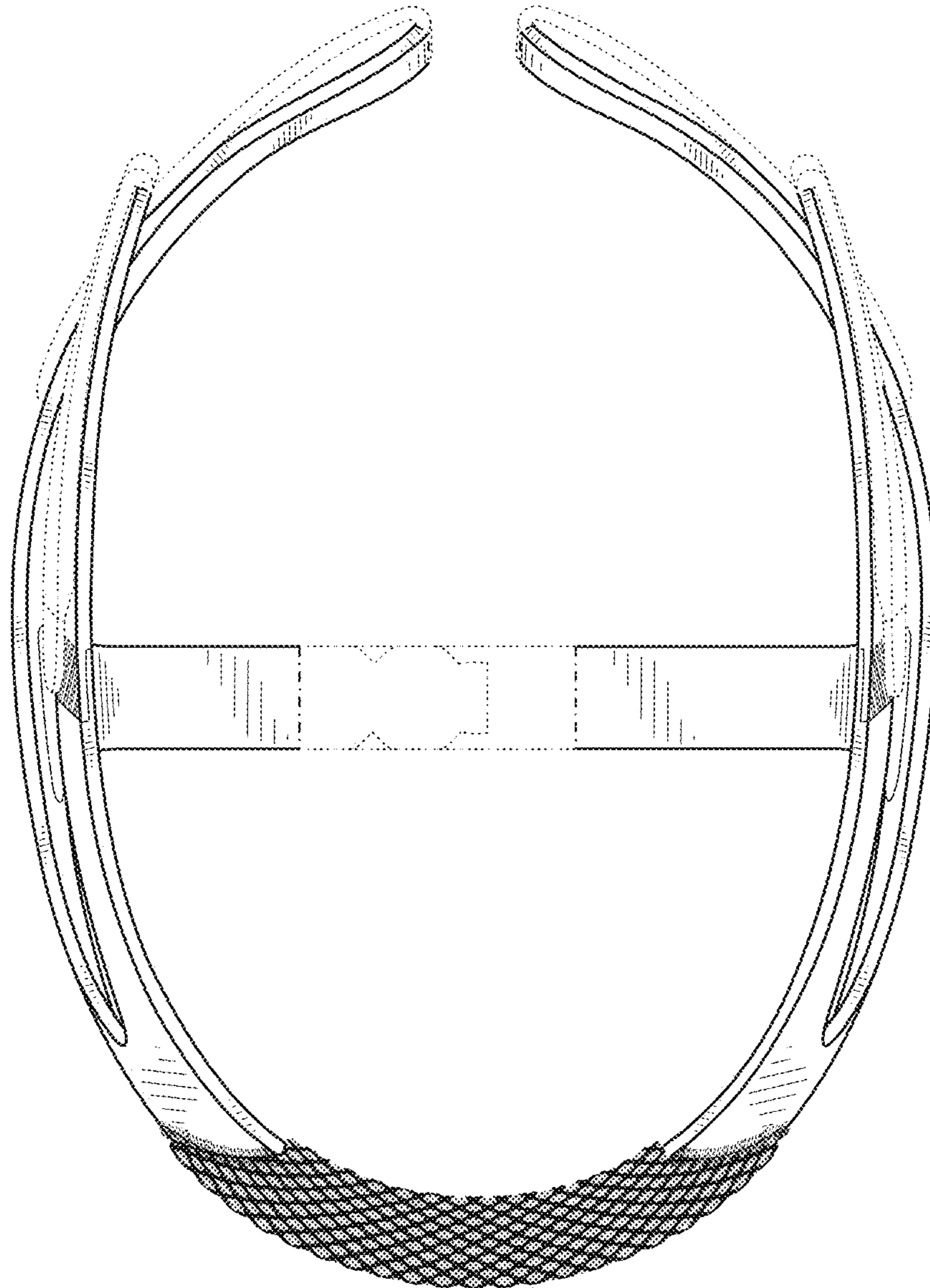


FIG. 12

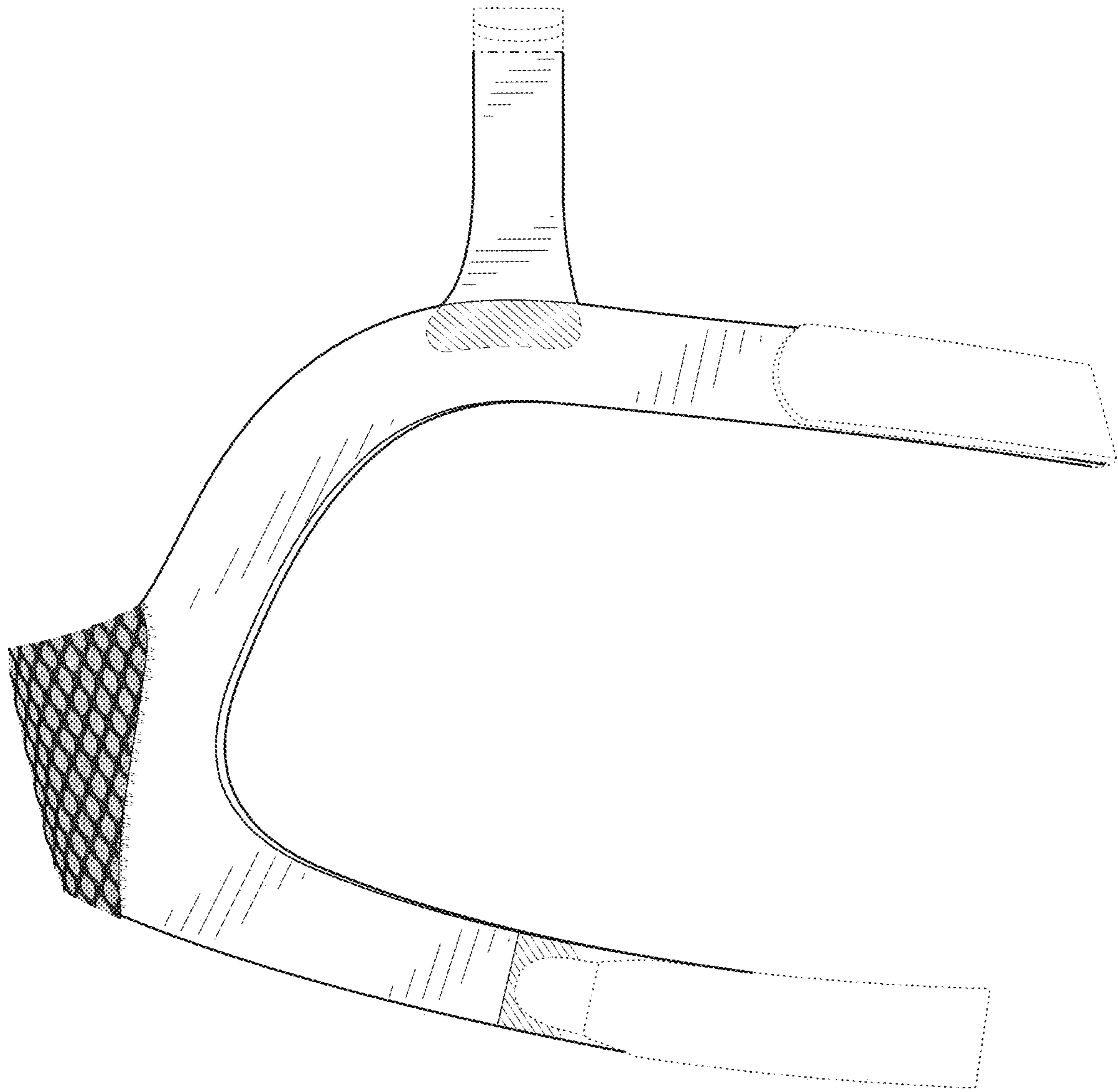


FIG. 13

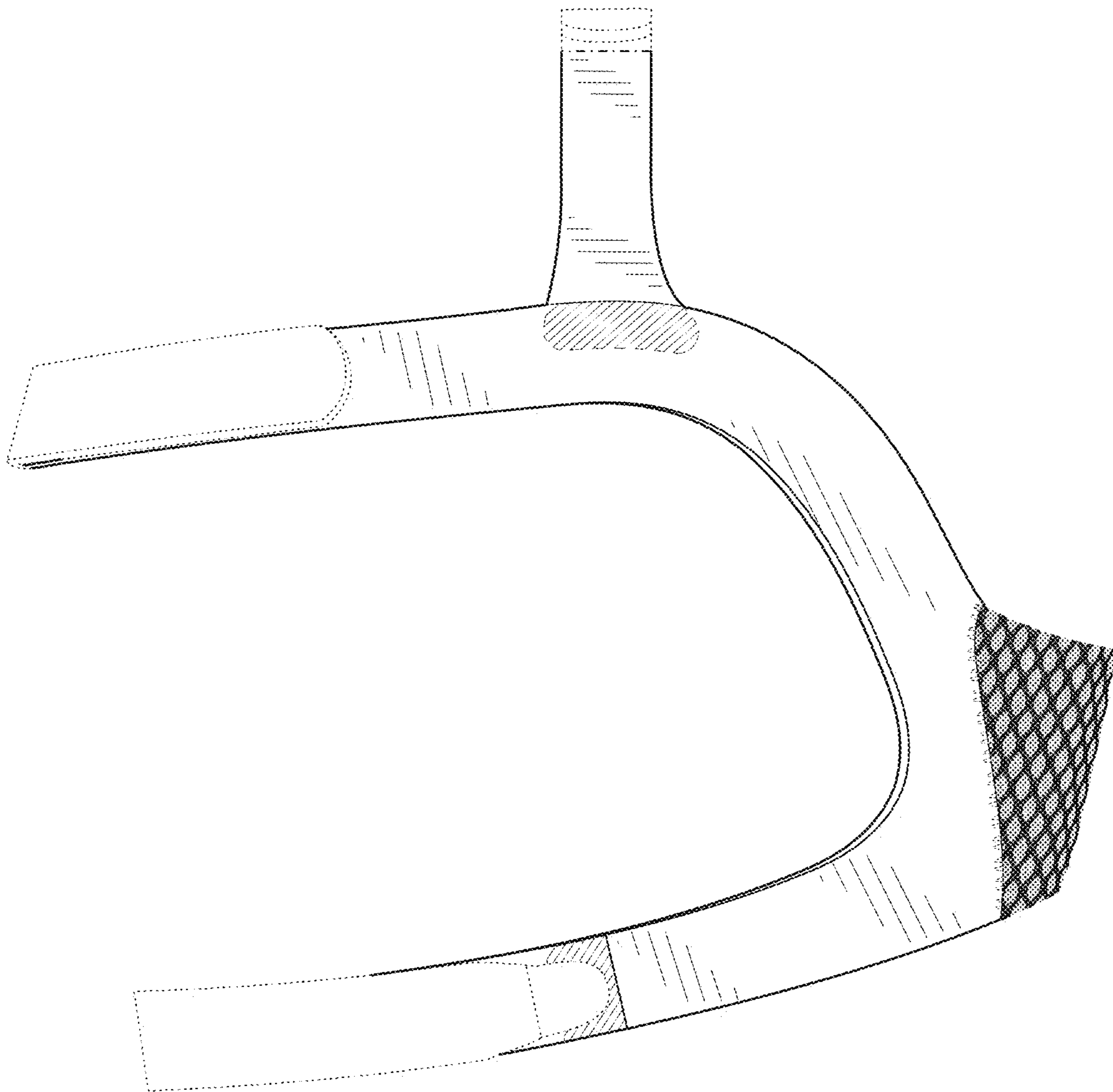


FIG. 14