



US00D902381S

(12) **United States Design Patent**
Inoue et al.

(10) **Patent No.:** **US D902,381 S**
(45) **Date of Patent:** **** Nov. 17, 2020**

- (54) **BREATH DETECTOR**
- (71) Applicant: **OMRON HEALTHCARE Co., Ltd.**,
Muko (JP)
- (72) Inventors: **Kosuke Inoue**, Muko (JP); **Masahiko Yumoto**, Muko (JP); **Tsuyoshi Ogihara**, Muko (JP)
- (73) Assignee: **OMRON HEALTHCARE Co., Ltd.**
(JP)
- (**) Term: **15 Years**
- (21) Appl. No.: **29/734,373**
- (22) Filed: **May 12, 2020**

- D351,236 S * 10/1994 Held D24/215
- D414,582 S * 9/1999 Hwang D24/200
- 6,001,070 A * 12/1999 Gebhard A61F 7/007
601/15
- 6,312,397 B1 * 11/2001 Gebhard A61F 7/007
601/15
- D457,265 S * 5/2002 Gebhard D28/9
- 6,450,969 B1 * 9/2002 Farr A61B 5/087
600/538
- D479,324 S * 9/2003 Greaney D24/111
- D522,893 S * 6/2006 Finney D10/78
- 7,182,733 B2 * 2/2007 Sauerland A61B 5/0002
181/131
- D550,842 S * 9/2007 Koch D24/133
- D652,523 S * 1/2012 Bradley D24/209
- D652,919 S * 1/2012 Sherwood D24/133
- D691,059 S * 10/2013 Fechner D10/81
- D692,786 S * 11/2013 Fechner D10/78
- D734,479 S * 7/2015 Youngquist D24/209
- D742,003 S * 10/2015 Tasar D24/146

(Continued)

Related U.S. Application Data

- (62) Division of application No. 29/643,701, filed on Apr. 11, 2018, now Pat. No. Des. 887,544.

Primary Examiner — Lilyana Bekic
(74) *Attorney, Agent, or Firm* — Saidman DesignLaw Group, LLC

(30) **Foreign Application Priority Data**

- Oct. 12, 2017 (JP) 2017-022567
- (51) **LOC (12) Cl.** **24-01**
- (52) **U.S. Cl.**
USPC **D24/107; D24/164**
- (58) **Field of Classification Search**
USPC D24/107, 133, 146, 200, 209, 214, 164,
D24/188; D10/81
CPC G01N 33/497; G01N 33/4972; G01N
2033/4975; A61B 5/082; A61B 5/097;
A61B 5/0836; A61B 5/087; A61B 5/42
See application file for complete search history.

(57) **CLAIM**

The ornamental design for a breath detector, as shown and described.

DESCRIPTION

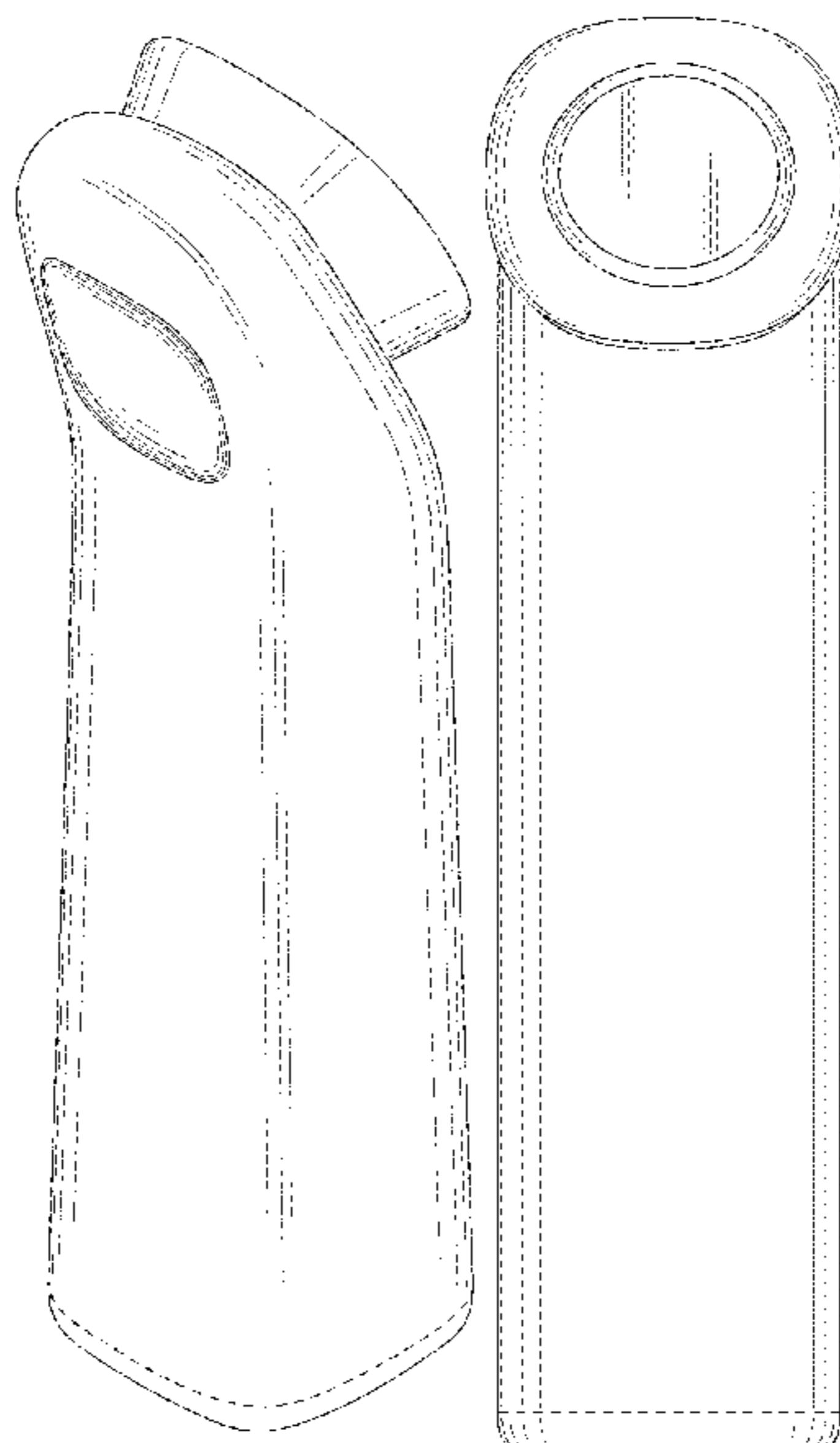
FIG. 1 is a perspective view of a breath detector showing our new design;
FIG. 2 is a front view thereof;
FIG. 3 is a rear view thereof;
FIG. 4 is a left side view thereof;
FIG. 5 is a right side view thereof;
FIG. 6 is a top view thereof; and,
FIG. 7 is a bottom view thereof.
The broken lines illustrate structure or features which form no part of the claimed design.

(56) **References Cited**

U.S. PATENT DOCUMENTS

- D323,034 S * 1/1992 Reinstein D24/200
- D343,801 S * 2/1994 Burns D10/78

1 Claim, 6 Drawing Sheets



(56)

References Cited

U.S. PATENT DOCUMENTS

D749,441 S * 2/2016 Rekow D10/81
D757,953 S * 5/2016 Philips D24/200
D759,256 S * 6/2016 Chen D24/200
D759,261 S * 6/2016 Son D24/215
D780,933 S * 3/2017 Uchida D24/200
D794,784 S * 8/2017 Bradley D24/133
D797,302 S * 9/2017 Vahlensieck D24/209
D826,751 S * 8/2018 Fornoff D10/81
D828,192 S * 9/2018 Fornoff D10/81
D828,193 S * 9/2018 Fornoff D10/81
D828,194 S * 9/2018 Fornoff D10/81
D828,925 S * 9/2018 Levi D24/214
D829,921 S * 10/2018 Xiong D24/214
D834,701 S * 11/2018 Inoue D24/107
D847,360 S * 4/2019 Levi D24/214
D850,638 S * 6/2019 Cha D24/200
D855,195 S * 7/2019 Kymm D24/209
D855,818 S * 8/2019 Kymm D24/209
D880,710 S * 4/2020 Amoyal D24/209
D880,712 S * 4/2020 Tai D24/214
D884,203 S * 5/2020 Segev D24/209
D887,018 S * 6/2020 Yongjoonchoe D24/200
D887,544 S * 6/2020 Inoue D24/107
2007/0038206 A1 * 2/2007 Altshuler A61B 18/203
606/20
2016/0338620 A1 * 11/2016 Masavage A61B 5/082
2020/0253487 A1 * 8/2020 Fridman A61B 5/0006

* cited by examiner

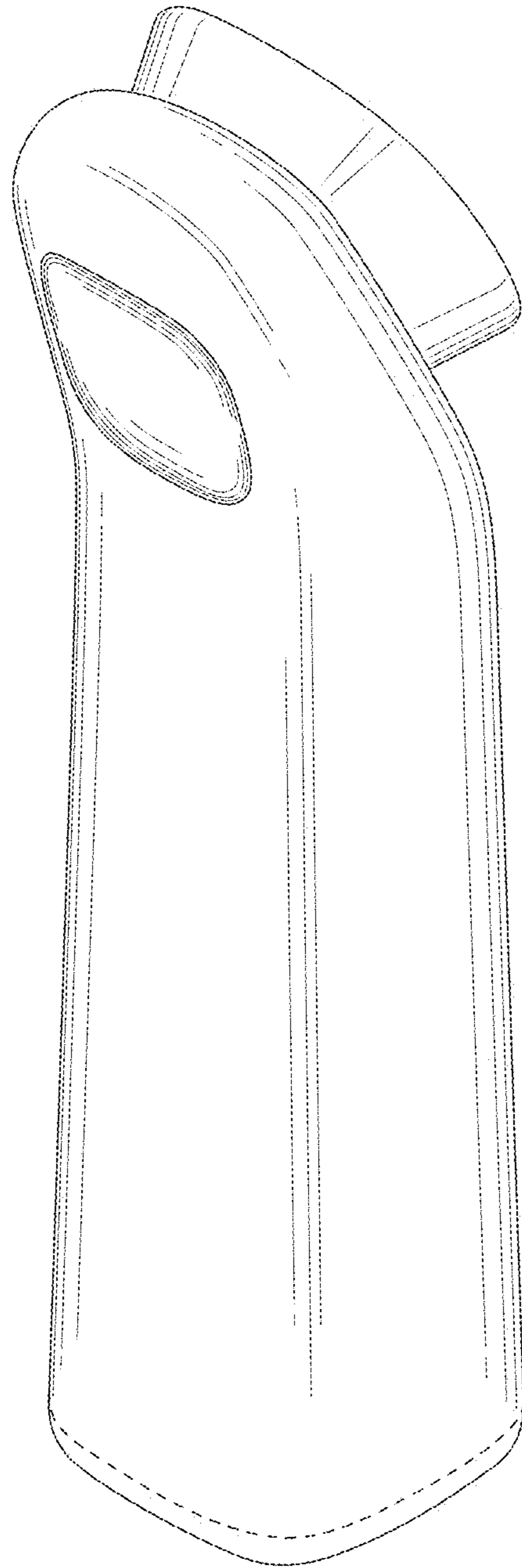


FIG. 1

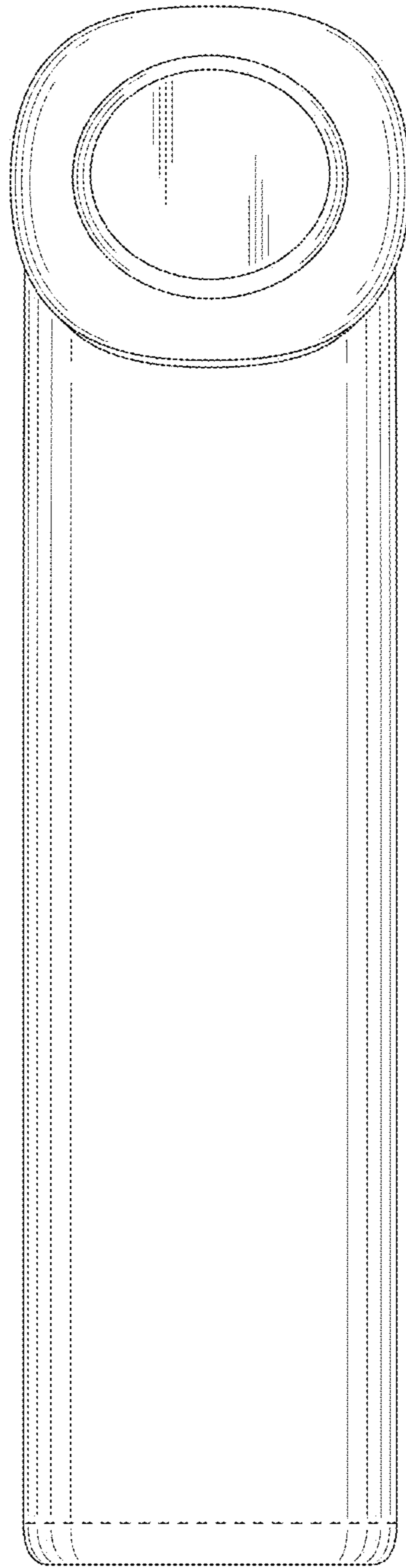


FIG. 2

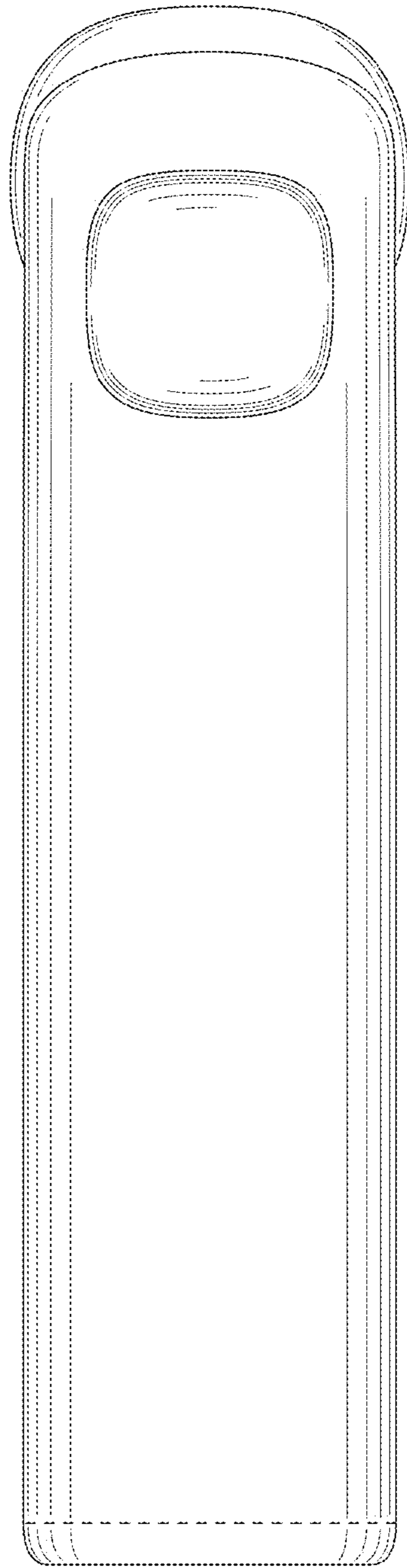


FIG. 3

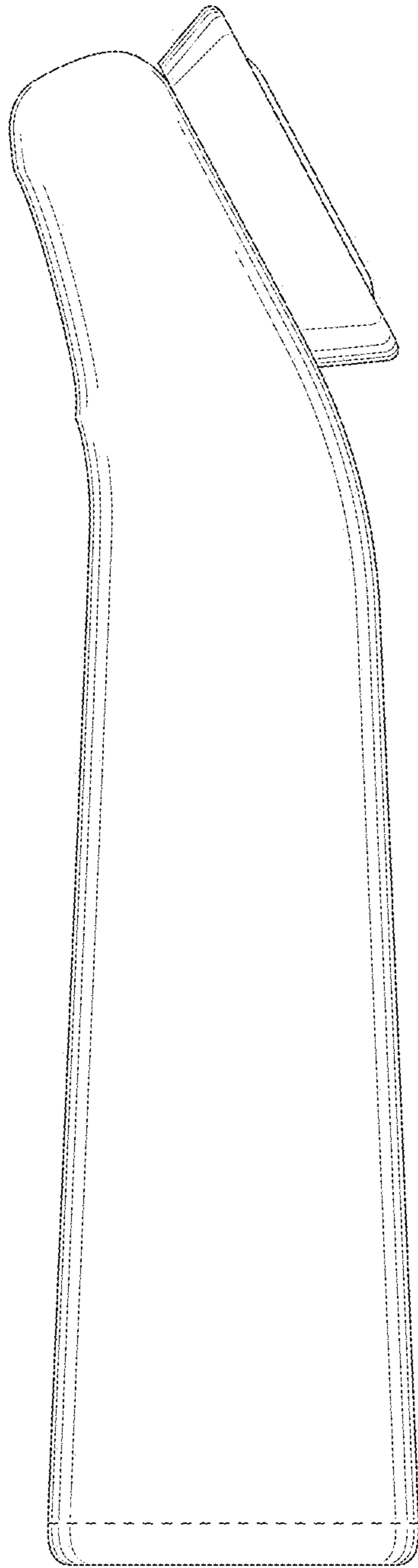


FIG. 4

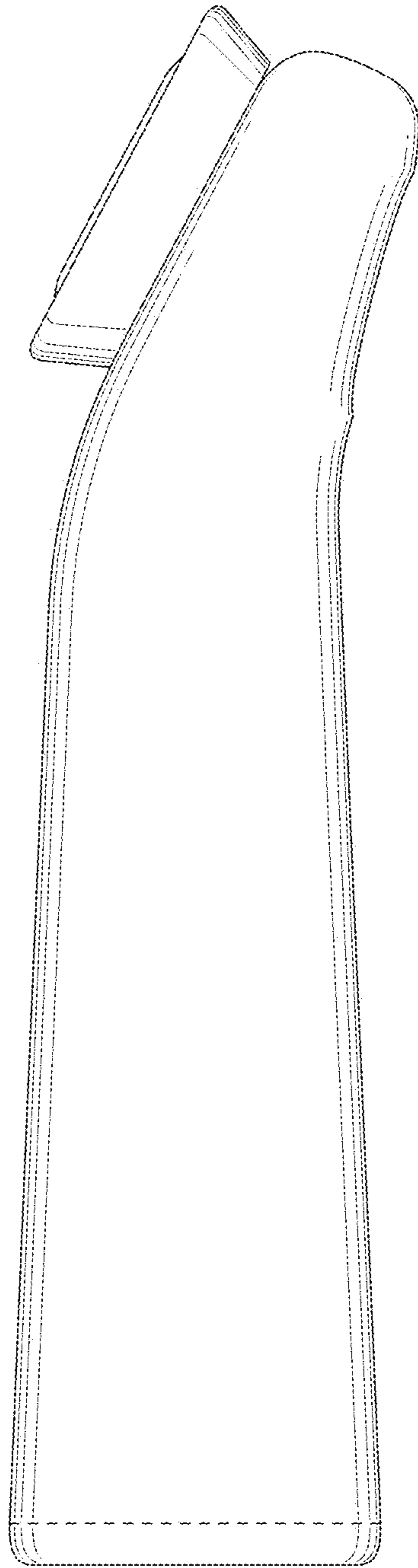


FIG. 5

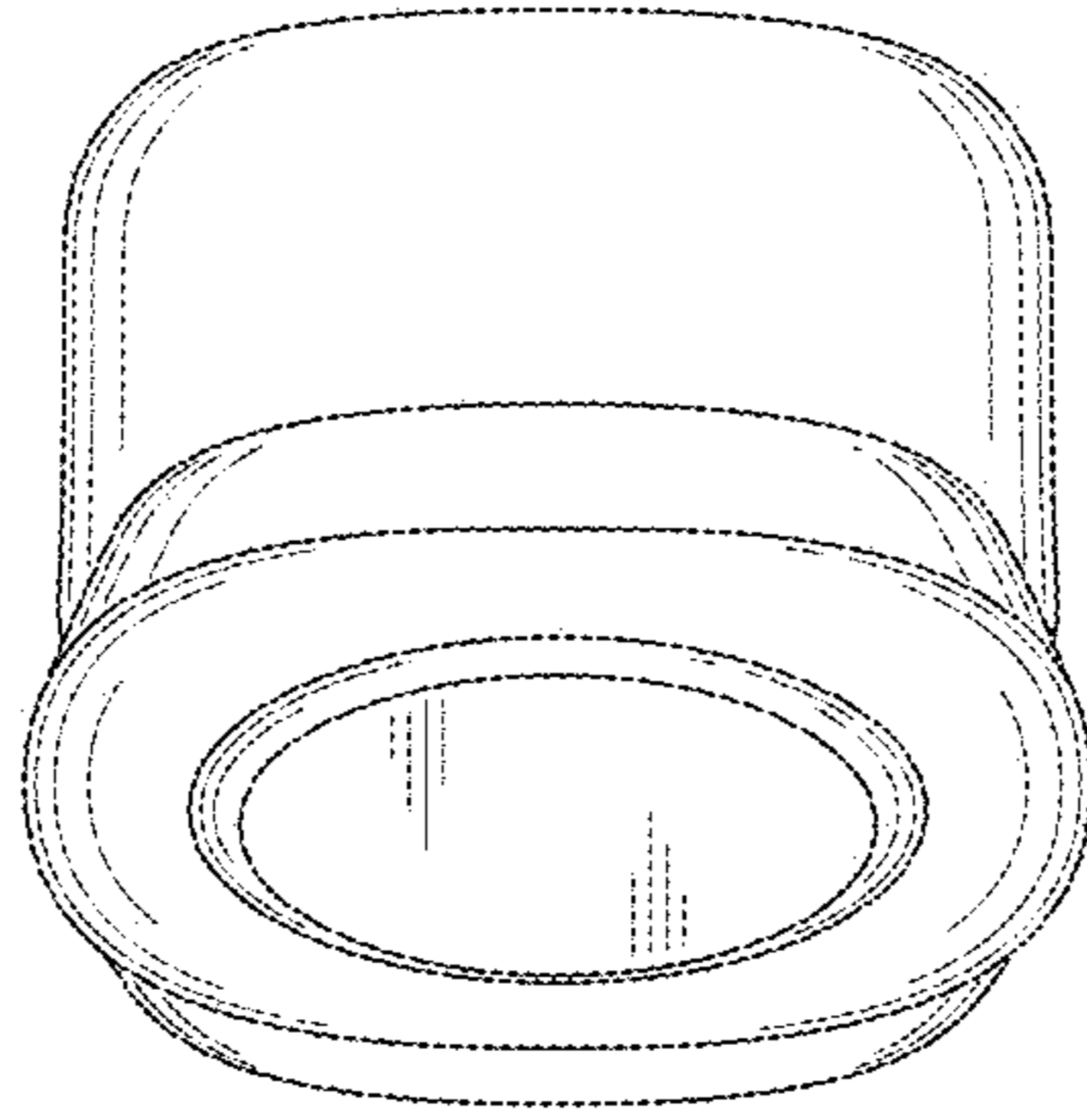


FIG. 6

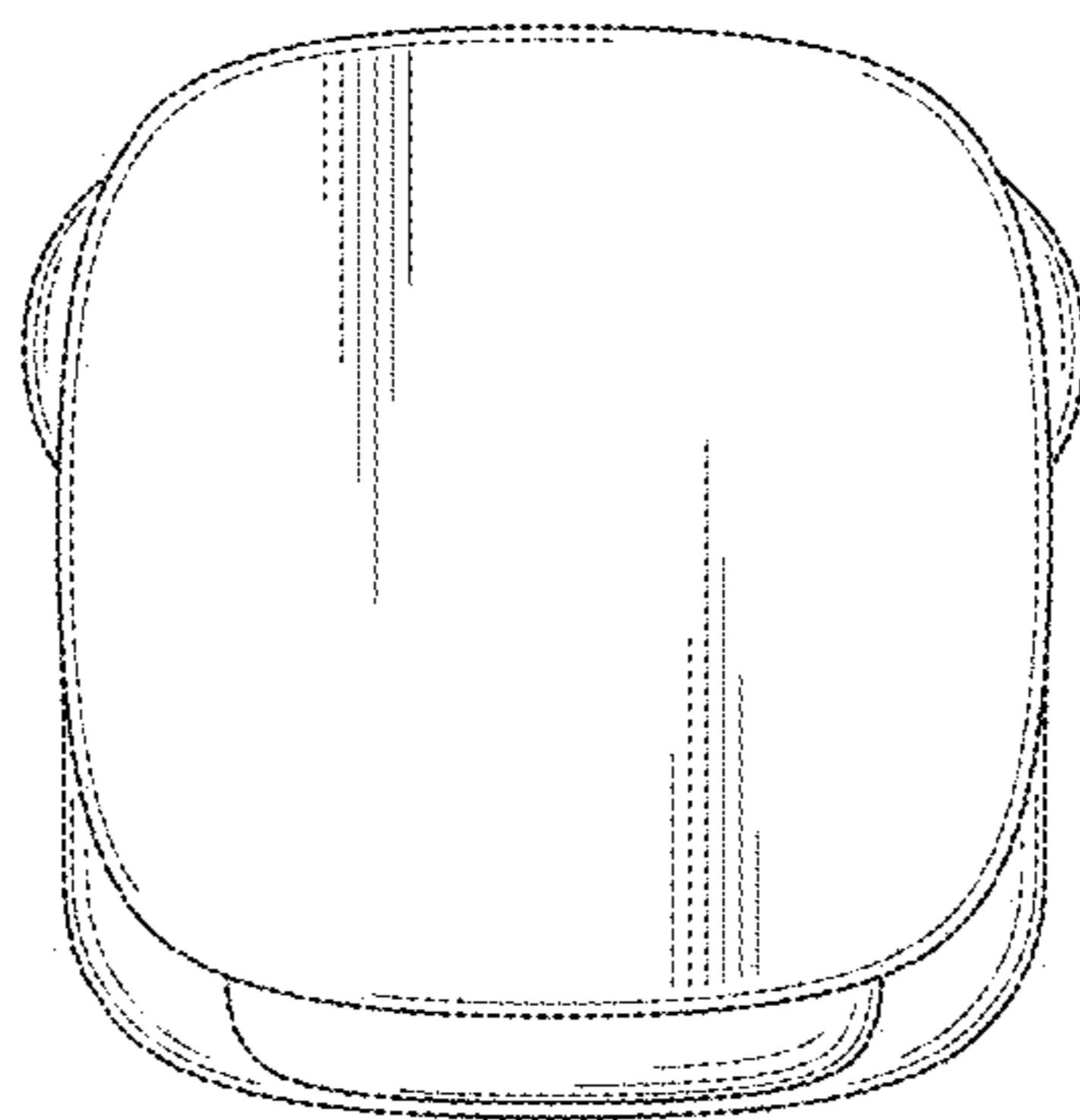


FIG. 7