



US00D902376S

(12) **United States Design Patent**
Holmes Bradley et al.

(10) **Patent No.:** **US D902,376 S**
(45) **Date of Patent:** **** Nov. 17, 2020**

(54) **CEILING FAN MOTOR HOUSING**

(71) Applicant: **Hunter Fan Company**, Memphis, TN (US)

(72) Inventors: **Christine Marie Holmes Bradley**, Memphis, TN (US); **Claire Bernice McRoberts**, Memphis, TN (US)

(73) Assignee: **Hunter Fan Company**, Memphis, TN (US)

(**) Term: **15 Years**

(21) Appl. No.: **29/712,331**

(22) Filed: **Nov. 7, 2019**

Related U.S. Application Data

(62) Division of application No. 29/646,185, filed on May 2, 2018, now Pat. No. Des. 874,636.

(51) **LOC (12) Cl.** **23-03**

(52) **U.S. Cl.**
USPC **D23/411**

(58) **Field of Classification Search**
USPC D23/370-385, 411-414; D26/59, 85, 86, D26/89, 90
CPC F04D 25/088; F04D 29/38; F04D 29/384; F04D 29/386; F21V 33/0096
See application file for complete search history.

(56) **References Cited**

U.S. PATENT DOCUMENTS

1,588,222 A	6/1926	D'Olier, Jr.
D312,688 S	12/1990	Mason
D393,710 S	4/1998	Gee, II
D399,333 S	10/1998	Greene et al.
D404,123 S	1/1999	Pelonis
D428,982 S	8/2000	Oldenburg
D440,649 S	4/2001	Tsuji
6,264,344 B1	7/2001	Quiogue et al.
D480,134 S	9/2003	Wilson

D567,360 S	4/2008	Curtin
D584,396 S	1/2009	Bucher et al.
D594,540 S	6/2009	Pan
D627,870 S	11/2010	Wang
D671,202 S	11/2012	Searle
D671,631 S	11/2012	Searle

(Continued)

OTHER PUBLICATIONS

<http://www.homedepot.com/p/Hampton-Bay-Lazerro-II-52-in-Oil-Rubbed-Bronze-Ceiling-Fan-AL968-ORB/203786359>, Hampton Bay Lazerro II 52 in. Indoor Oil-Rubbed Bronze Ceiling Fan with Light Kit and Remote Control, Model No. AL968-ORB, accessed Sep. 22, 2017.

(Continued)

Primary Examiner — Cathron C Brooks

Assistant Examiner — Sharon S Oum

(74) *Attorney, Agent, or Firm* — McGarry Bair PC

(57) **CLAIM**

The ornamental design for a ceiling fan motor housing, as shown and described.

DESCRIPTION

FIG. 1 is a top perspective view of a ceiling fan motor housing shown in the environment of a ceiling fan, showing our new design;

FIG. 2 is a bottom perspective view of the ceiling fan motor housing of FIG. 1;

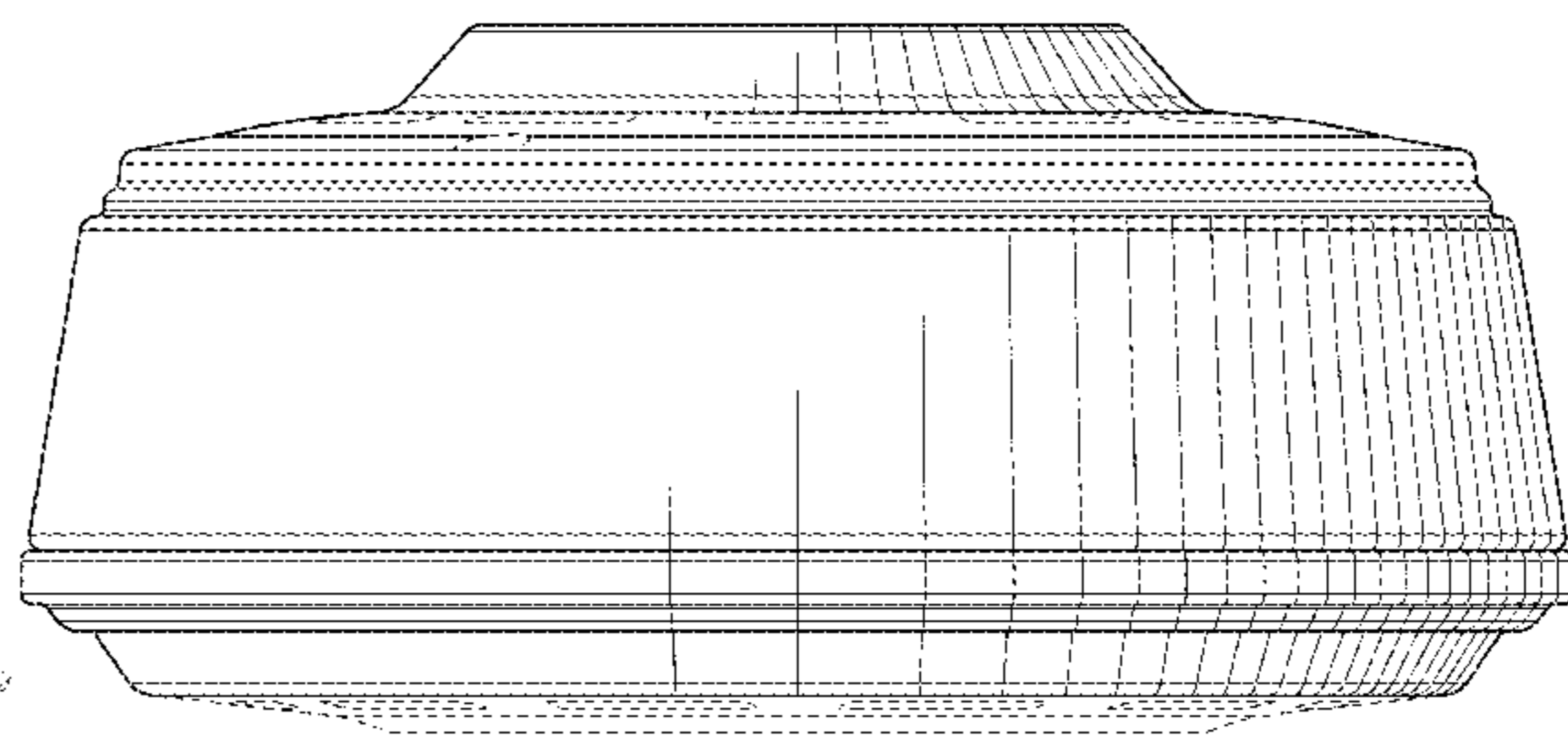
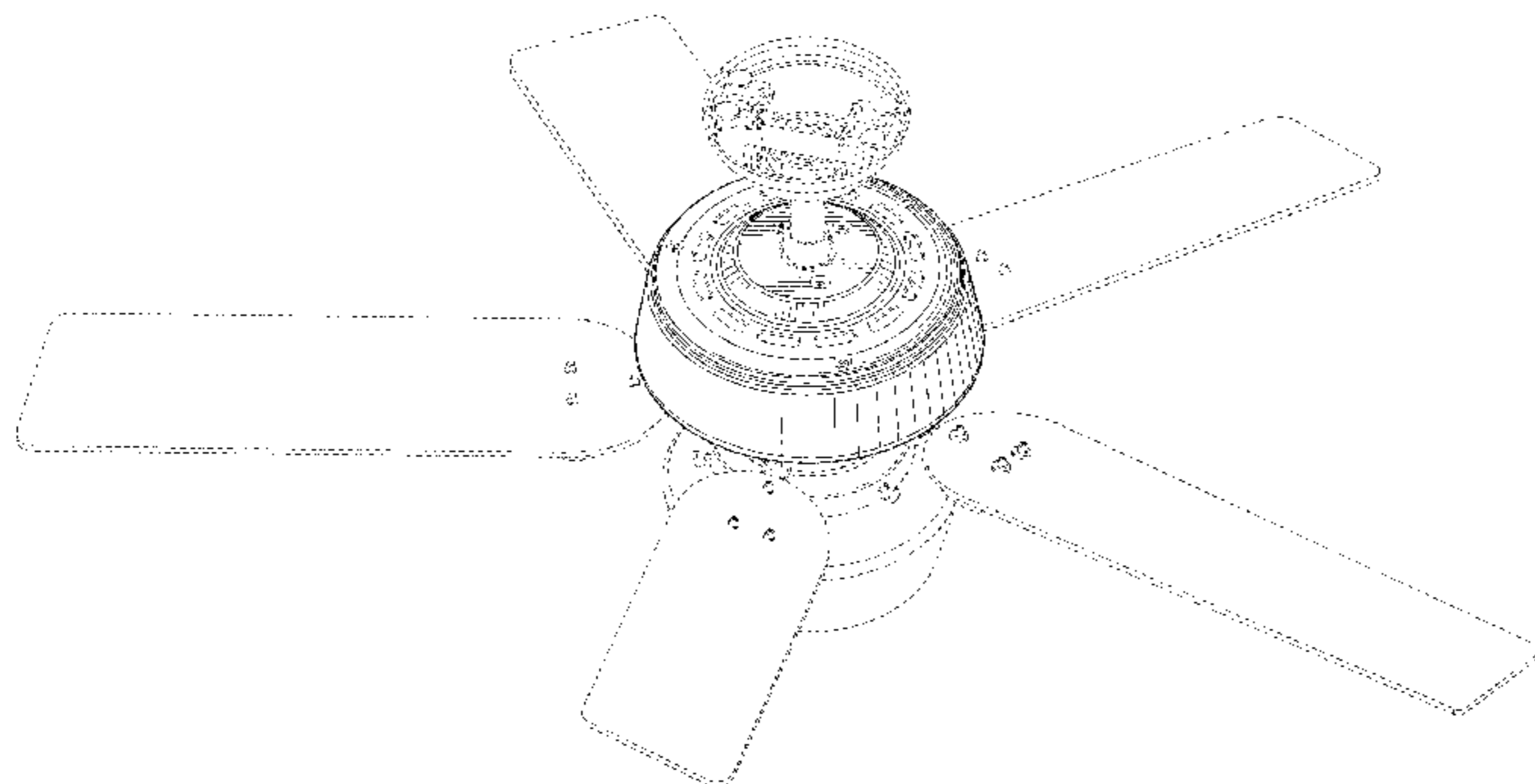
FIG. 3 is a side view of the ceiling fan motor housing of FIG. 1;

FIG. 4 is a top view of the ceiling fan motor housing of FIG. 1; and,

FIG. 5 is a bottom view of the ceiling fan motor housing of FIG. 1.

The broken lines illustrate portions of the ceiling fan motor housing and illustrate the ceiling fan environment. None of the broken lines form part of the claimed design.

1 Claim, 5 Drawing Sheets



(56)

References Cited

U.S. PATENT DOCUMENTS

D716,992 S	11/2014	Kitts	
D743,529 S	11/2015	Pan	
D744,081 S	11/2015	Wang	
D804,632 S *	12/2017	Holmes	D23/377
D805,624 S	12/2017	O'Connell et al.	
D810,914 S *	2/2018	Badarello	D23/377
D811,574 S *	2/2018	McRoberts	D23/377
D827,805 S	9/2018	Biancuzzo	
D834,173 S *	11/2018	Holmes	D23/411
D872,849 S *	1/2020	Holmes	D23/377
D872,851 S *	1/2020	Holmes	D23/411
D874,636 S *	2/2020	Holmes Bradley	D23/377
D878,540 S *	3/2020	Holmes	D23/377
2017/0045197 A1	2/2017	Rossi	

OTHER PUBLICATIONS

<https://www.lowes.com/pd/Harbor-Breeze-Melamby-48-in-Oil-rubbed-bronze-Indoor-Downrod-Mount-Ceiling-Fan-with-Light-Kit/50291923>, Harbor Breeze Melanby 48-in Oil Rubbed Bronze Indoor Downrod Mount Ceiling Fan with Light Kit, Model No. 35063, accessed Sep. 22, 2017.

<http://www.minkagroup.net/products/f620-bn>, MinkaAire Bolo 52" 5 Blades in Brushed Nickel Finish with Dark Walnut Blades Includes Bowl Light Kit with Etched Swirl Glass, Model No. F620-BN, accessed Sep. 22, 2017.

<https://www.craftmade.com/pro-energy-star-209-ces209>, Craftmade Pro Energy Star 209 Customizable Fan, Model No. CES209, accessed Sep. 22, 2017.

<http://ceilingfans.emerson.com/en/shop/fan/fan-s-emerson-fans/fans-s-indoor-outdoor/42-summer-night-fan-p-cf742pf>, Emerson Summer Night 42 inch White Indoor/Outdoor Ceiling Fan, Model No. CF742pf, accessed Sep. 22, 2017.

<http://www.fanimation.com/products/index.php/fans/aire-deluxe-44-with-light-kit.html>, Fanimation Aire Deluxe with Light Kit, Model No. FP6245B, accessed Sep. 22, 2017.

<http://www.kichler.com/products/product/56-inch-bisc-fan-obb-300710obb.aspx>, Kichler Bisc Collection 56 Inch Bisc Fan Oil Brushed Bronze, Model No. 300710OBB, accessed Sep. 22, 2017.

<https://www.craftmade.com/trento-tnt58>, Craftmade Trento 58" Ceiling Fan, Model No. TNT58, accessed Sep. 22, 2017.

<http://www.homedepot.com/p/Hampton-Bay-Waterton-II-52-in-Oil-Rubbed-Bronze-Ceiling-Fan-AG510-ORB/204304645>, Hampton Bay Waterton II 52 in. Indoor Oil-Rubbed Bronze Ceiling Fan with Light Kit, Model No. AG510-ORB, accessed Sep. 22, 2017.

* cited by examiner

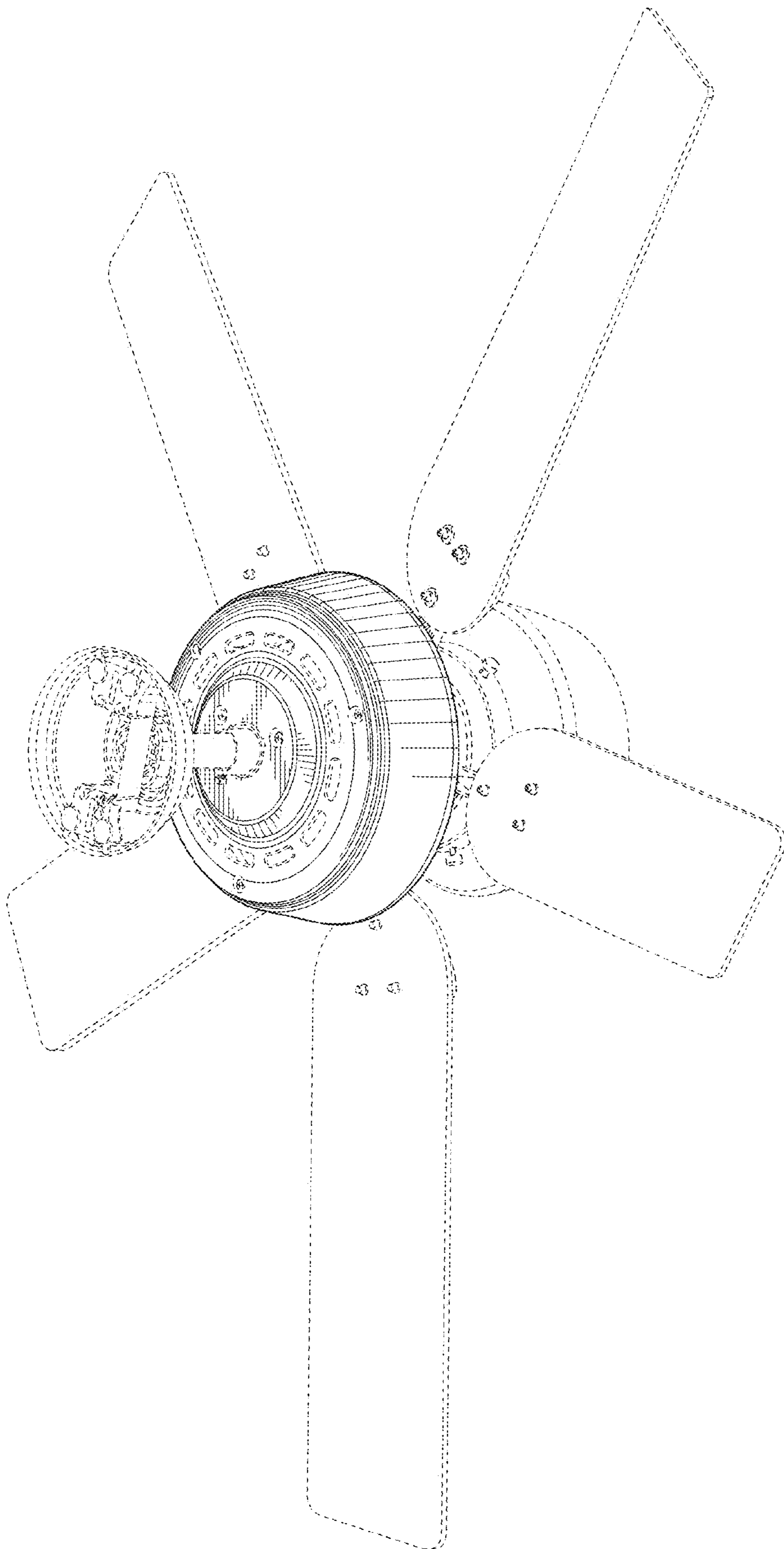


FIG. 1

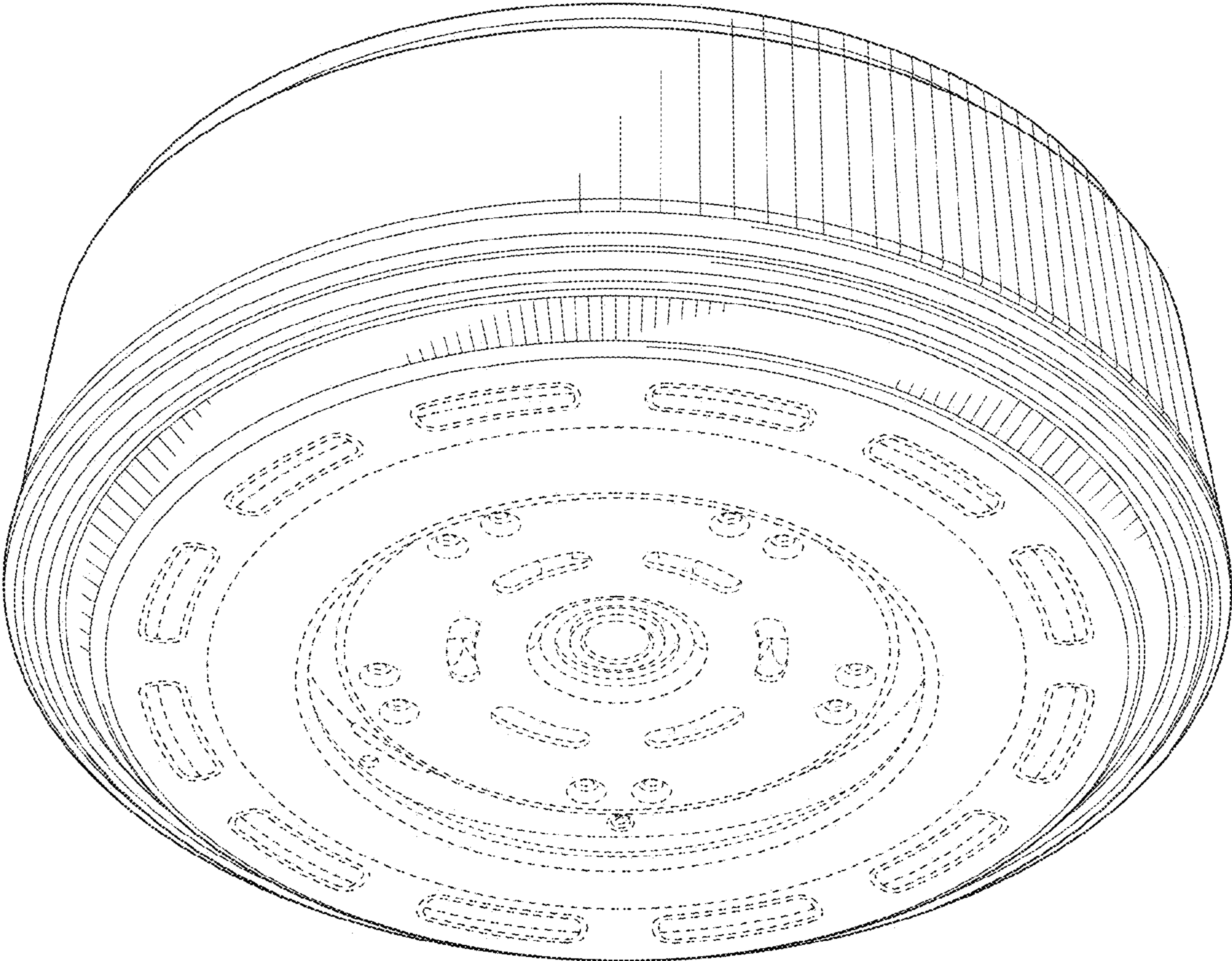


FIG. 2

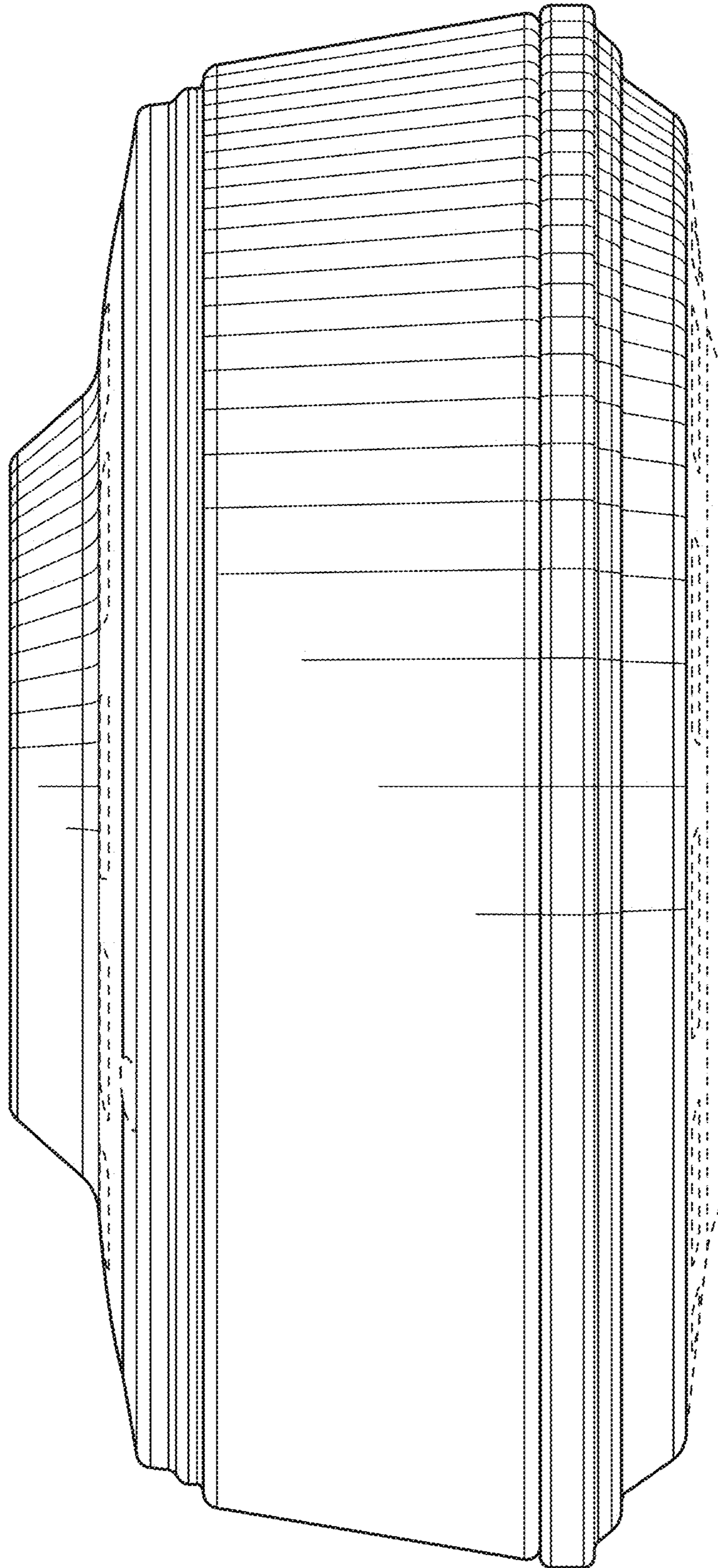


FIG. 3

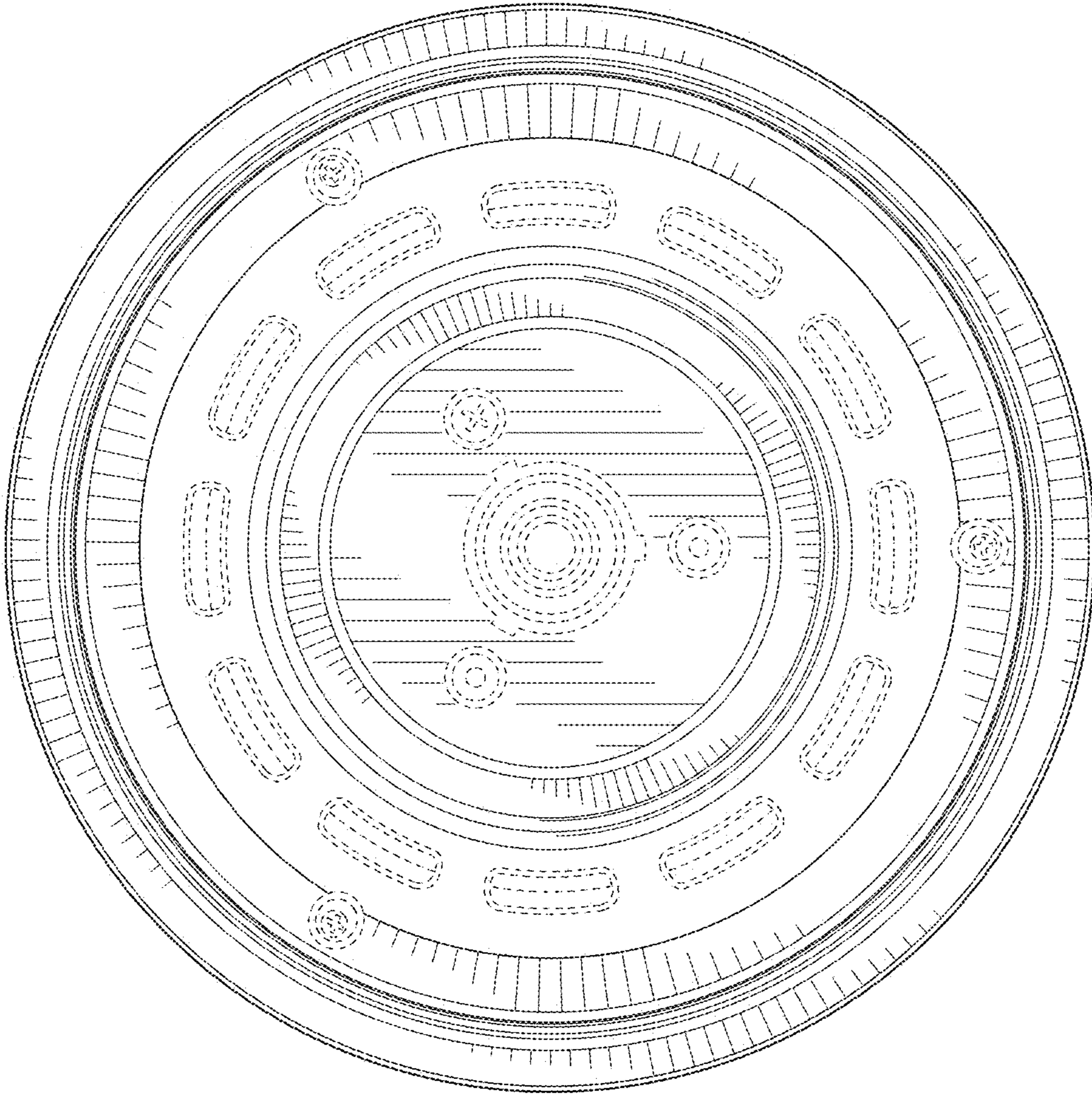


FIG. 4

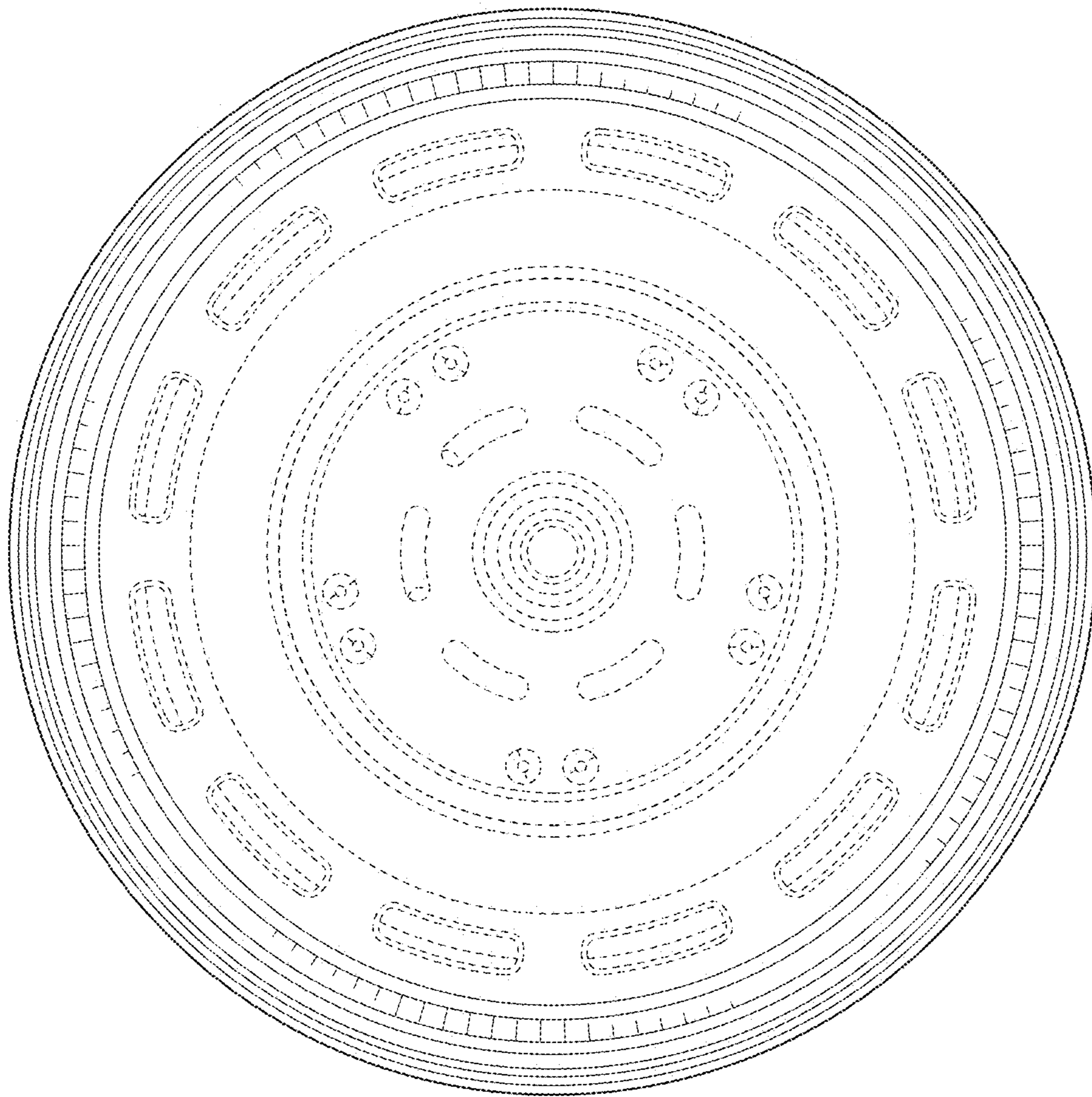


FIG. 5