



US00D902375S

(12) **United States Design Patent**
Lauzon

(10) **Patent No.:** **US D902,375 S**

(45) **Date of Patent:** **** Nov. 17, 2020**

(54) **AIR CURTAIN WITH CONICAL NOZZLES**

(71) Applicant: **Daniel Lauzon**, Sherbrooke (CA)

(72) Inventor: **Daniel Lauzon**, Sherbrooke (CA)

(**) Term: **15 Years**

(21) Appl. No.: **29/660,080**

(22) Filed: **Aug. 17, 2018**

(30) **Foreign Application Priority Data**

Jun. 12, 2018 (CA) 181794

(51) **LOC (12) Cl.** **23-04**

(52) **U.S. Cl.**
USPC **D23/385**

(58) **Field of Classification Search**
USPC D23/314, 351-355, 370-376, 385-393,
D23/411-414

CPC F24F 9/00; F24F 13/065; F24F 2009/002;
F24F 2009/007

See application file for complete search history.

(56) **References Cited**

U.S. PATENT DOCUMENTS

- 2,413,937 A * 1/1947 Zademach F26B 17/04
239/543
- 3,059,563 A * 10/1962 Larson F24F 9/00
454/188
- D196,406 S * 9/1963 White D23/385
- D241,442 S * 9/1976 Whitbread D23/383
- D324,421 S * 3/1992 Arbouw D23/386
- D363,773 S * 10/1995 Nishizawa D12/345
- D367,925 S * 3/1996 Smilo D23/370
- D370,969 S * 6/1996 Ikeda D23/370
- D373,184 S * 8/1996 Nishizawa D12/345
- D539,409 S * 3/2007 Minor B60R 13/02
D23/373
- 7,497,898 B2 * 3/2009 Sato B03C 3/383
96/43

- D600,624 S * 9/2009 Fiedler D12/345
- D636,841 S * 4/2011 Yasuoka D23/207
- D639,898 S * 6/2011 Yasuoka D23/207
- D880,669 S * 4/2020 Urano D23/351
- 2007/0015449 A1 * 1/2007 Livchak B08B 15/02
454/61
- 2017/0203636 A1 * 7/2017 Good B62D 33/0612

* cited by examiner

Primary Examiner — Cathron C Brooks

Assistant Examiner — Sharon S Oum

(74) *Attorney, Agent, or Firm* — Eric L. Lane; Green
Patent Law

(57) **CLAIM**

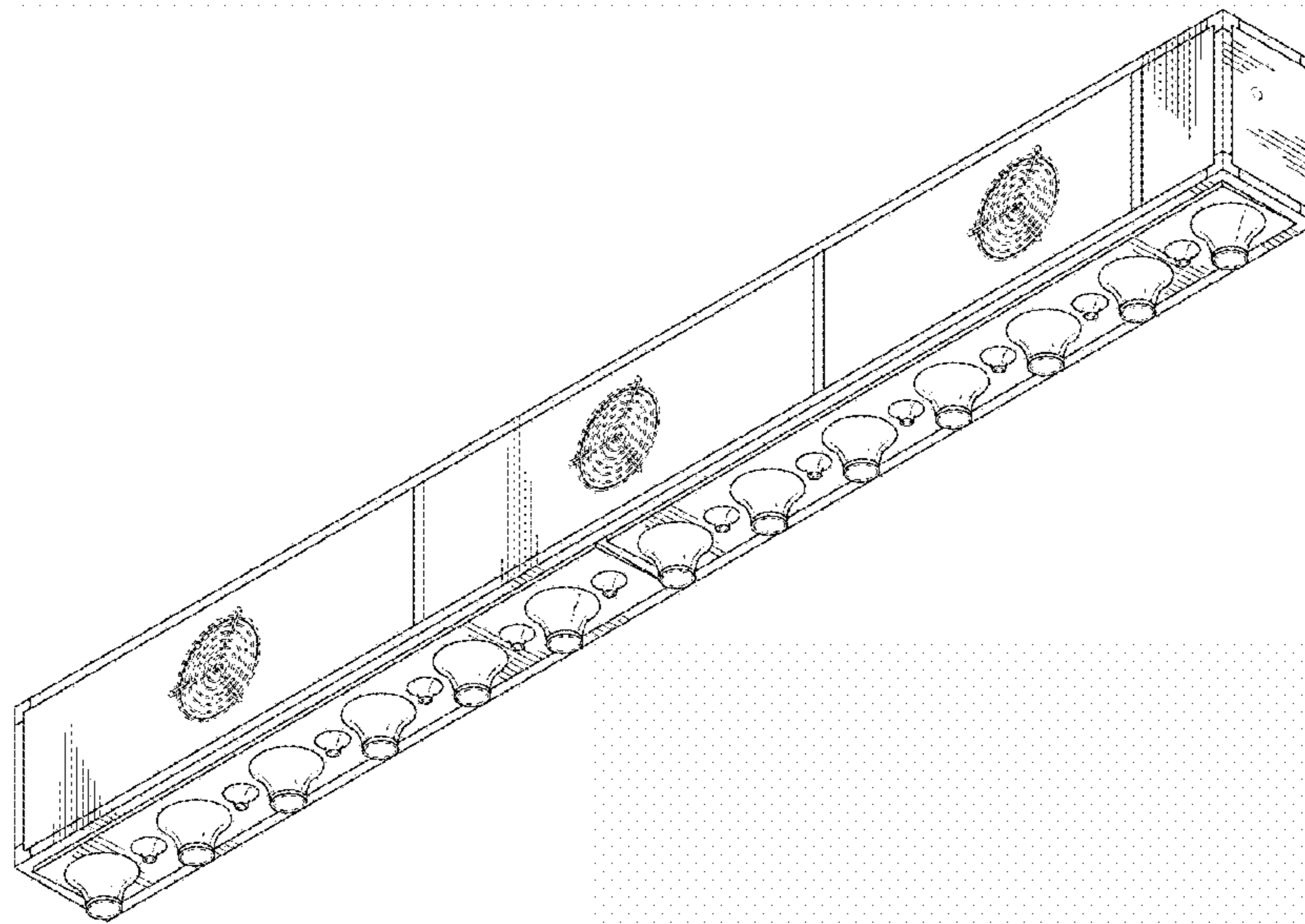
The ornamental design for the air curtain with conical nozzles, as shown and described.

DESCRIPTION

FIG. 1 is a perspective view showing the design;
 FIG. 2 is a front view thereof;
 FIG. 3 is a back view thereof;
 FIG. 4 is a left side view thereof;
 FIG. 5 is a right side view thereof;
 FIG. 6 is a top view thereof;
 FIG. 7 is a bottom view thereof;
 FIG. 8 is a perspective view of an alternate embodiment of the design;
 FIG. 9 is a front view thereof;
 FIG. 10 is a back view thereof;
 FIG. 11 is a top view thereof; and,
 FIG. 12 is a bottom view thereof.

The broken lines illustrate portions of the air curtain with conical nozzles that form no part of the claimed design. The claimed design is shown with a symbolic break in its length. The appearance of any portion of the article between the break lines forms no part of the claimed design.

1 Claim, 11 Drawing Sheets



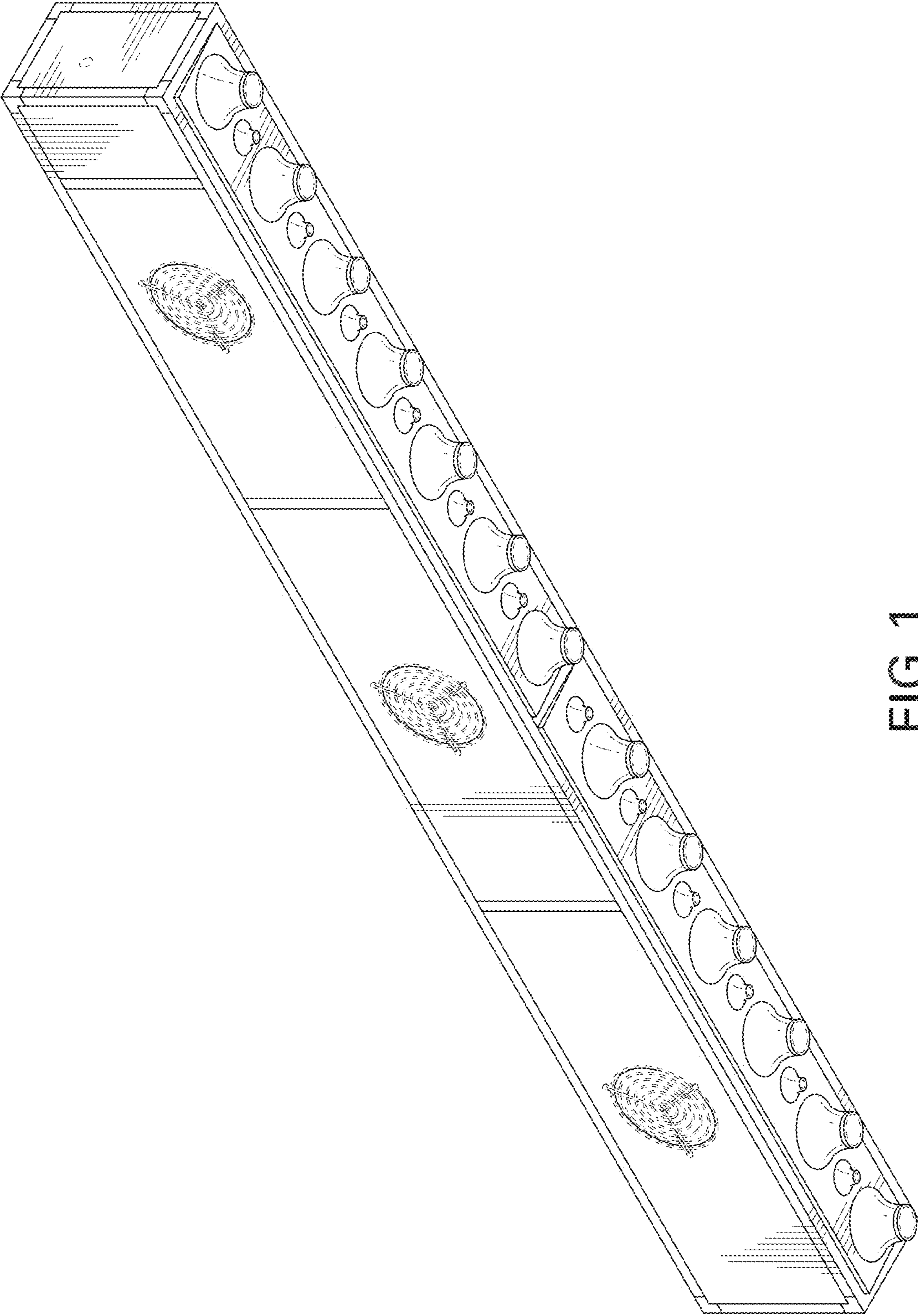


FIG. 1

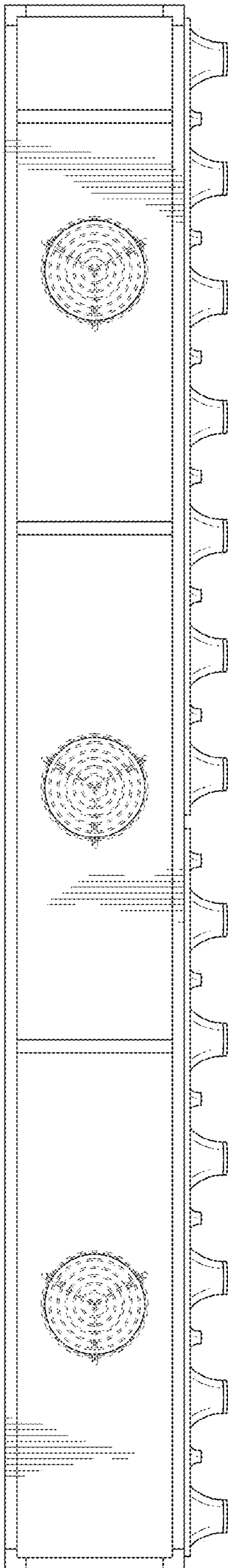


FIG. 2

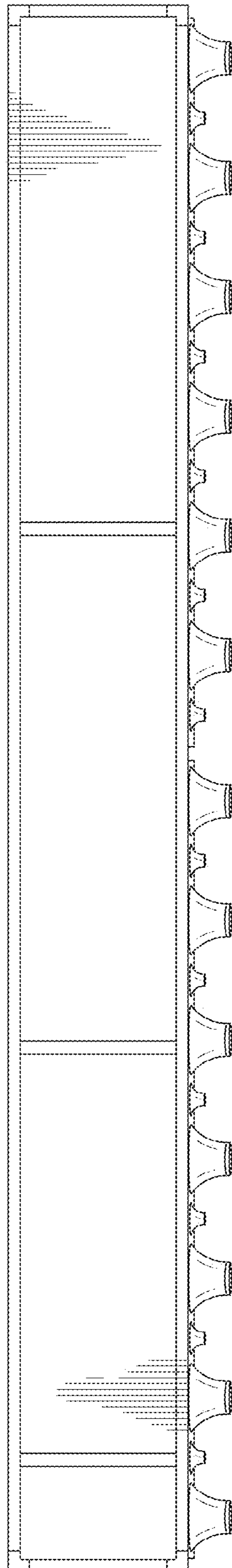


FIG. 3

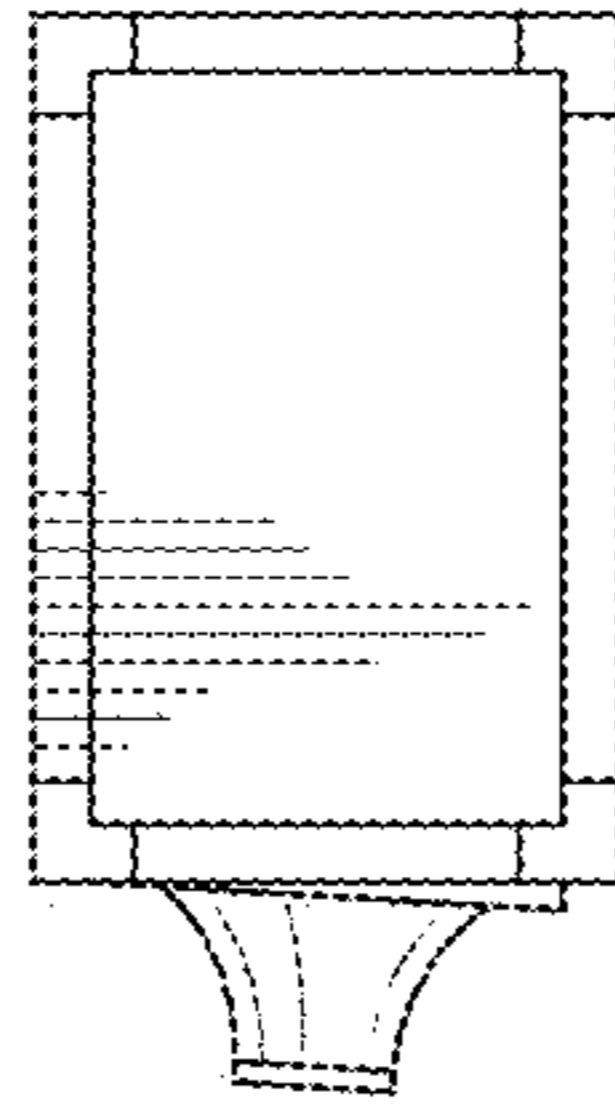


FIG. 4

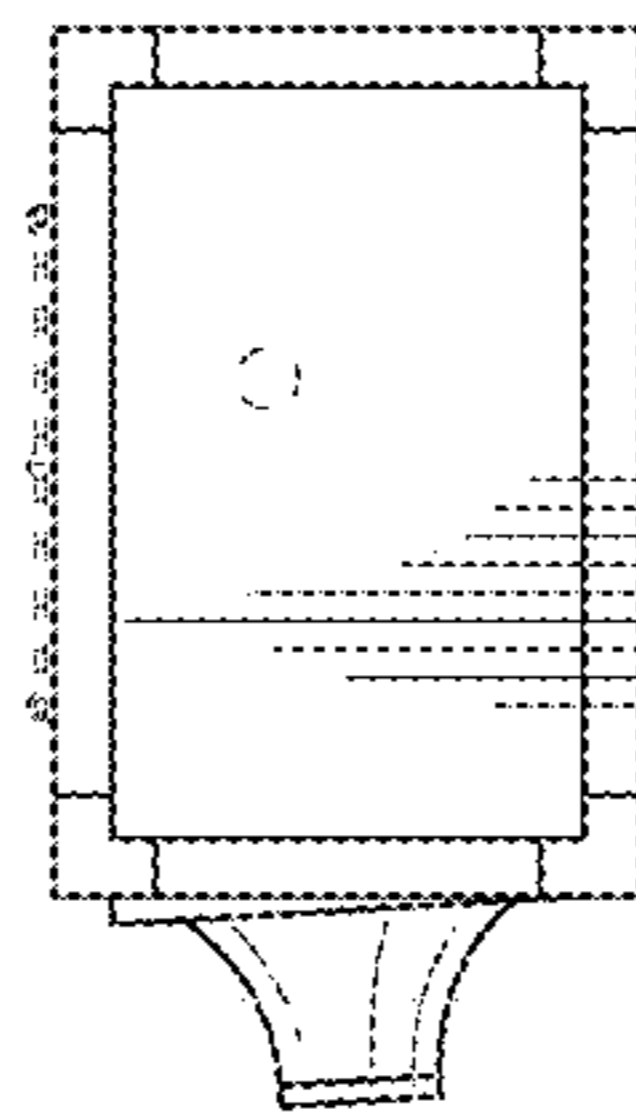


FIG. 5

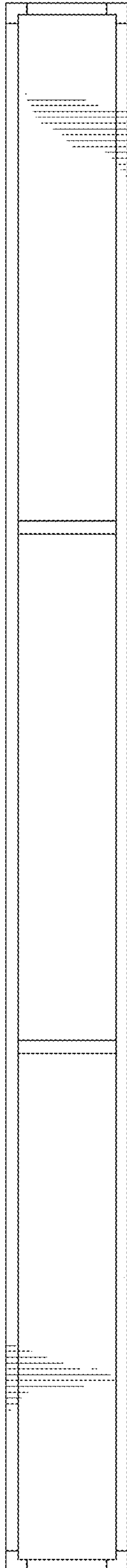


FIG. 6

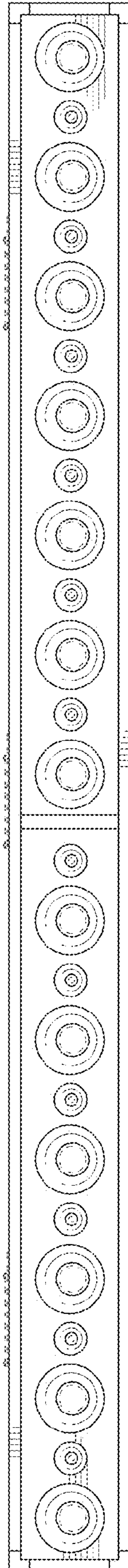


FIG. 7

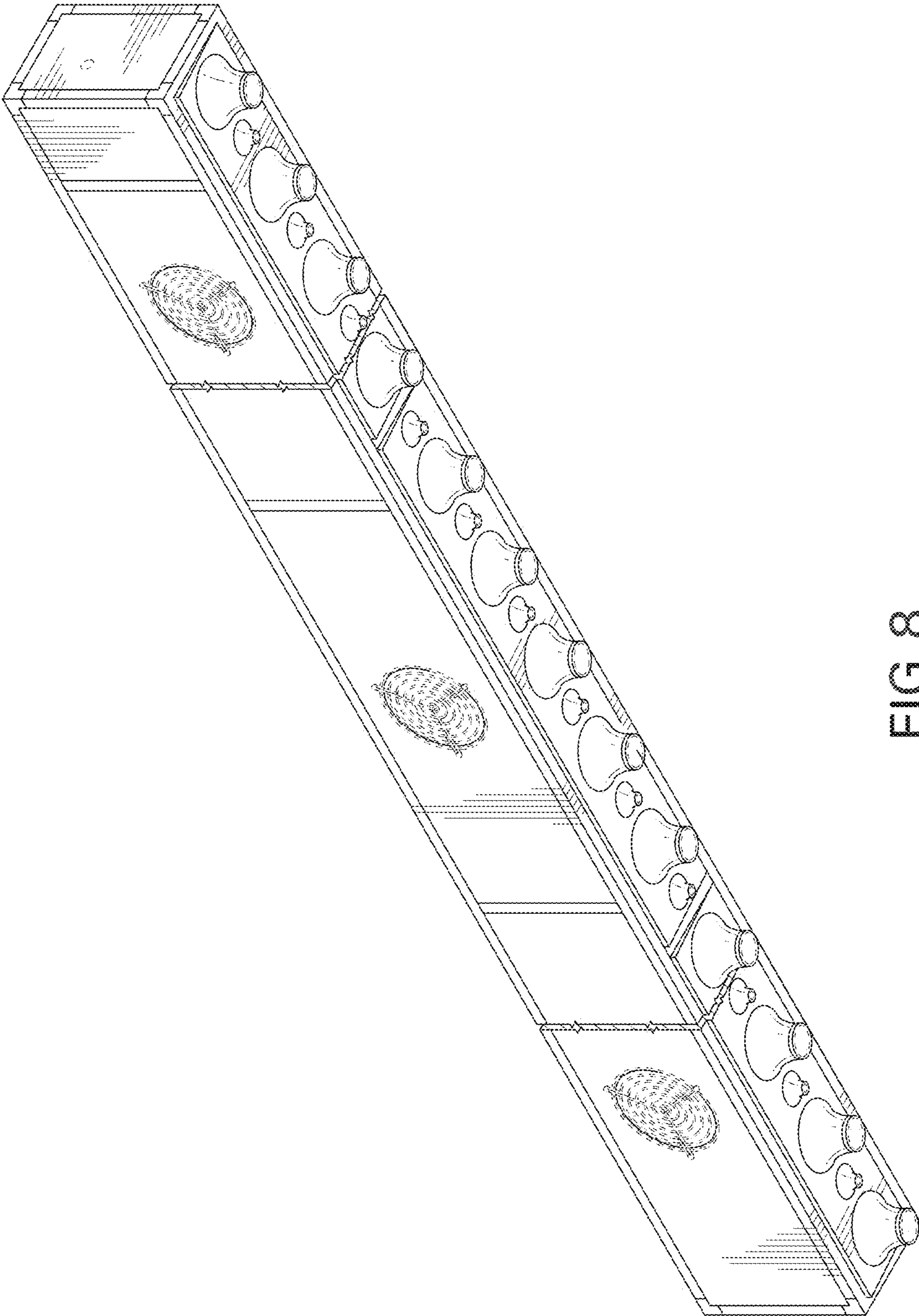


FIG. 8

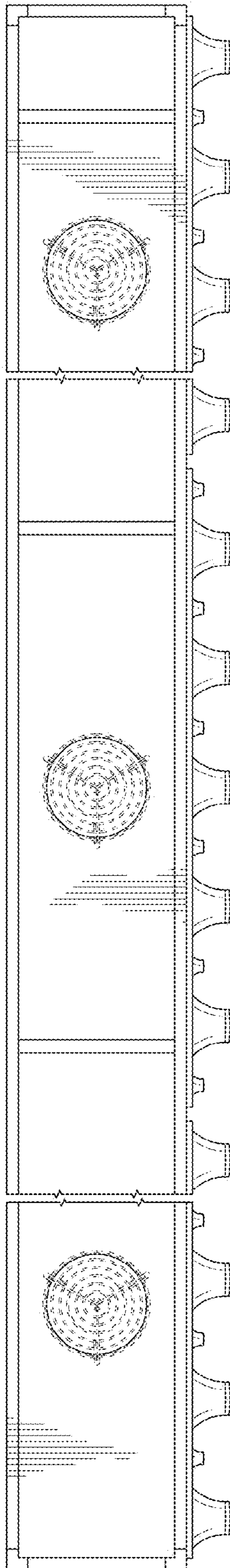


FIG. 9

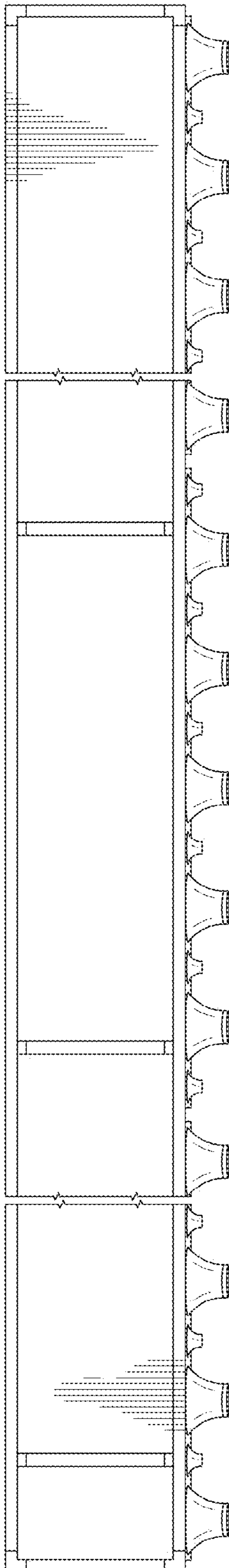


FIG. 10

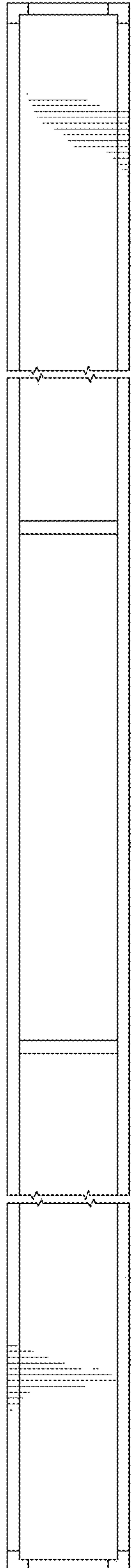


FIG. 11

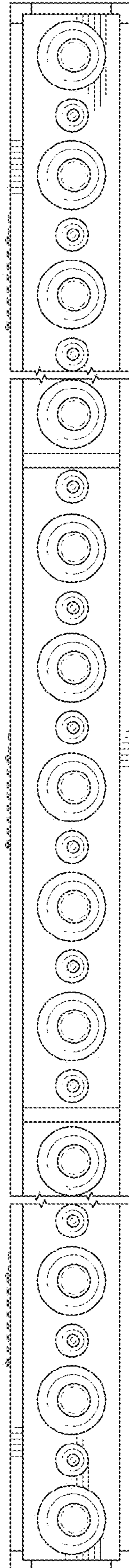


FIG.12