



US00D902374S

(12) **United States Design Patent**
Li

(10) **Patent No.:** **US D902,374 S**

(45) **Date of Patent:** **** Nov. 17, 2020**

(54) **CLIP FAN**

(71) Applicant: **Shenzhen Jisu Technology Co., LTD.,**
Shenzhen (CN)

(72) Inventor: **Xiangfu Li,** Shenzhen (CN)

(**) Term: **15 Years**

(21) Appl. No.: **29/688,233**

(22) Filed: **Apr. 19, 2019**

(30) **Foreign Application Priority Data**

Nov. 20, 2018 (CN) 2018 3 0660780

(51) **LOC (12) Cl.** **23-04**

(52) **U.S. Cl.**
USPC **D23/382**

(58) **Field of Classification Search**
USPC D23/332, 333, 335-337, 364, 370, 378,
D23/379, 381-383
CPC F04D 25/08; F04D 29/38; F04D 29/384;
F04D 29/386
See application file for complete search history.

(56) **References Cited**

U.S. PATENT DOCUMENTS

D295,070	S	*	4/1988	Shin-Chin	D23/382
4,799,858	A	*	1/1989	Shin-Chin	F04D 29/646
						248/231.51
5,547,343	A	*	8/1996	Jane	F04D 29/601
						248/231.51
D416,321	S	*	11/1999	Jane	D23/381
D441,444	S	*	5/2001	Shapiro	D23/382
D669,976	S	*	10/2012	Hsu	D23/382
D675,312	S	*	1/2013	Zhu	D23/411
D764,045	S	*	8/2016	Griz	D23/382
D818,109	S	*	5/2018	Junkel	D23/382
D855,171	S	*	7/2019	Xu	D23/382
D865,937	S	*	11/2019	Lin	D23/382
D884,868	S	*	5/2020	Chen	D23/382

(Continued)

OTHER PUBLICATIONS

Battery Operated Clip Fan for Baby Stroller, date first available Jan. 15, 2019, site visited Sep. 21, 2020, Copyright @ 1996-2020, <<https://www.amazon.com/Stroller-Operated-Rechargeable-Adjustable-Quietest/dp/B07MV1LCJS?th=1>>.*

(Continued)

Primary Examiner — Cathron C Brooks

Assistant Examiner — Sharon S Oum

(57) **CLAIM**

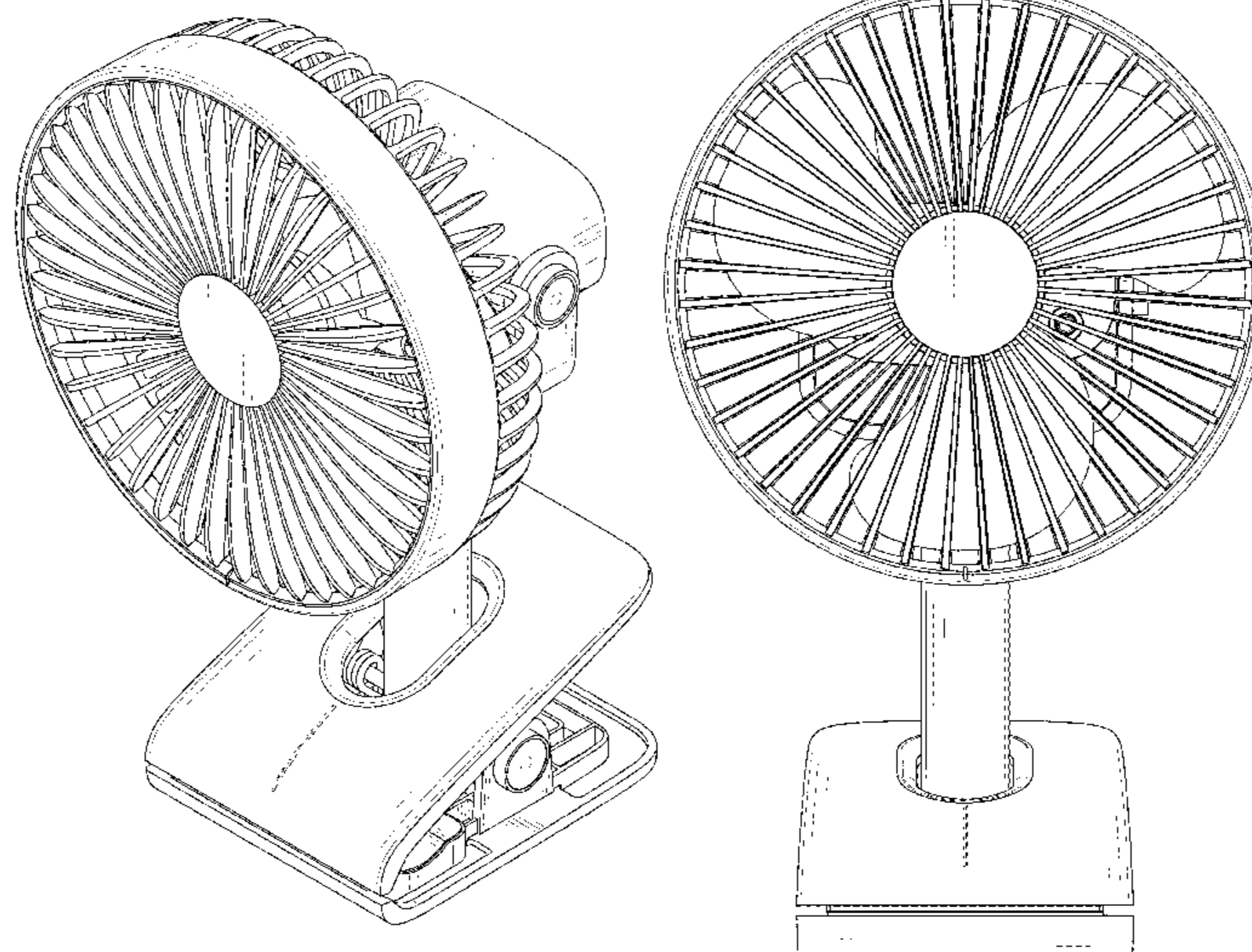
The ornamental design for a clip fan, as shown and described.

DESCRIPTION

FIG. 1 is a first perspective view of a first embodiment of a clip fan showing my new design;
FIG. 2 is a second perspective view thereof;
FIG. 3 is a front view thereof;
FIG. 4 is a back view thereof;
FIG. 5 is a left side view thereof;
FIG. 6 is a right side view thereof;
FIG. 7 is a top view thereof;
FIG. 8 is a bottom view thereof;
FIG. 9 is a first perspective view of a second embodiment of a clip fan showing my new design;
FIG. 10 is a second perspective view thereof;
FIG. 11 is a front view thereof;
FIG. 12 is a back view thereof;
FIG. 13 is a left side view thereof;
FIG. 14 is a right side view thereof;
FIG. 15 is a top view thereof; and,
FIG. 16 is a bottom view thereof.

The broken lines shown in the drawings depict portions of the clip fan in which the design is embodied that form no part of the claimed design.

1 Claim, 16 Drawing Sheets



(56)

References Cited

U.S. PATENT DOCUMENTS

D890,912 S * 7/2020 Ma D23/382

OTHER PUBLICATIONS

7 Best Fan for Baby Stroller Reviews in 2020, date posted Aug. 6, 2019, site visited Sep. 21, 2020, <<https://www.childrenforchildren.org/best-fan-for-baby-stroller/>>.*

* cited by examiner

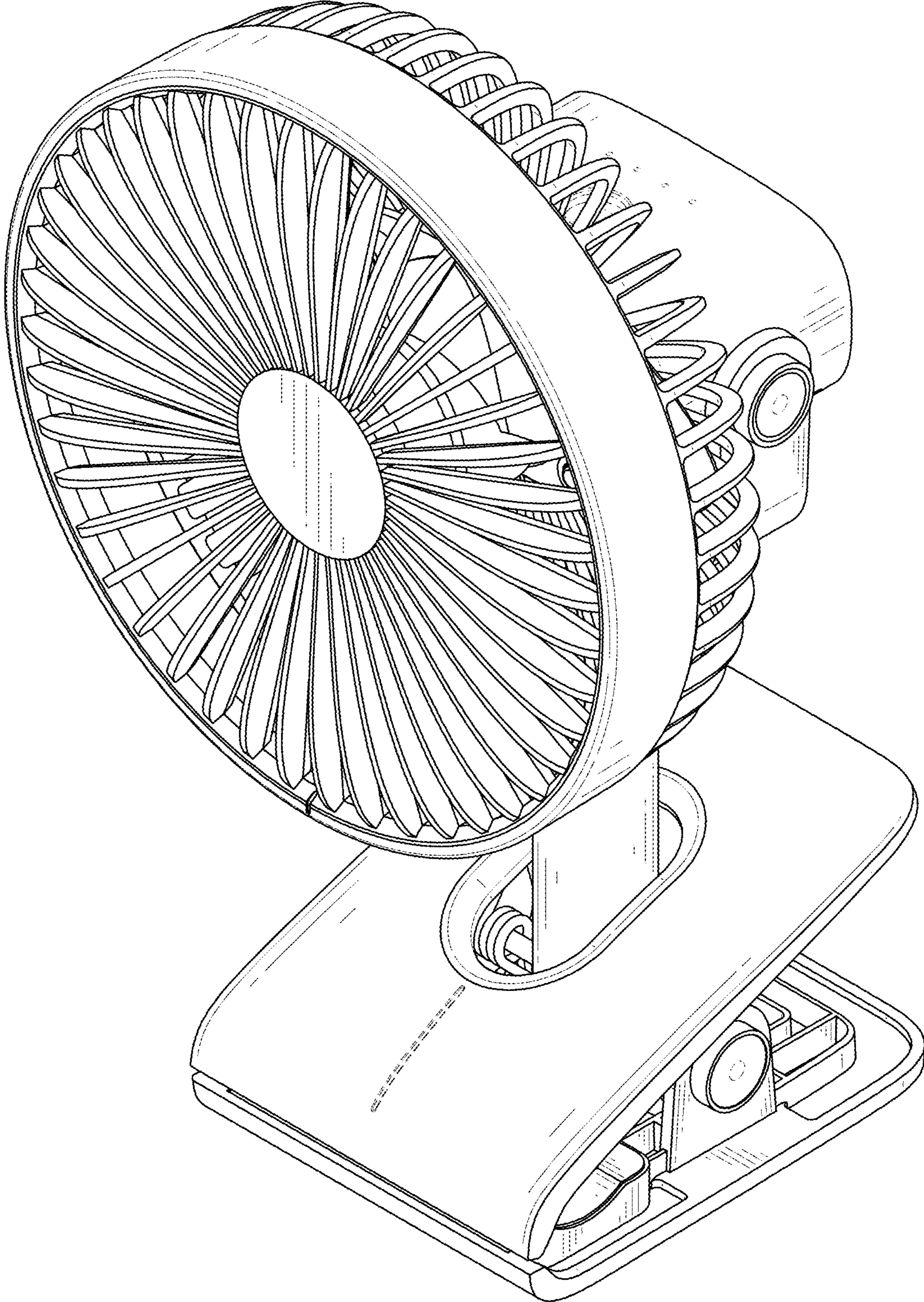


FIG. 1

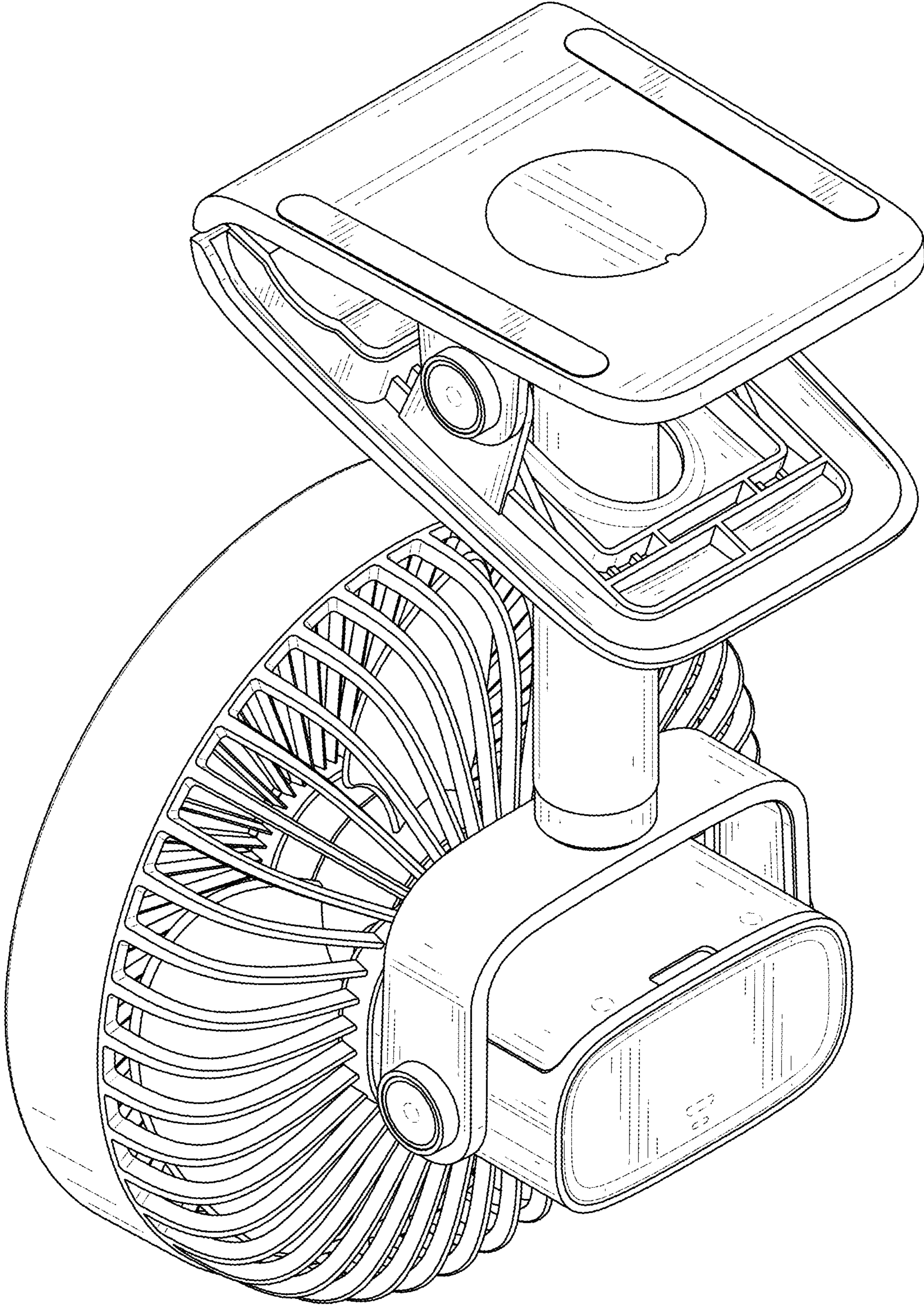


FIG. 2

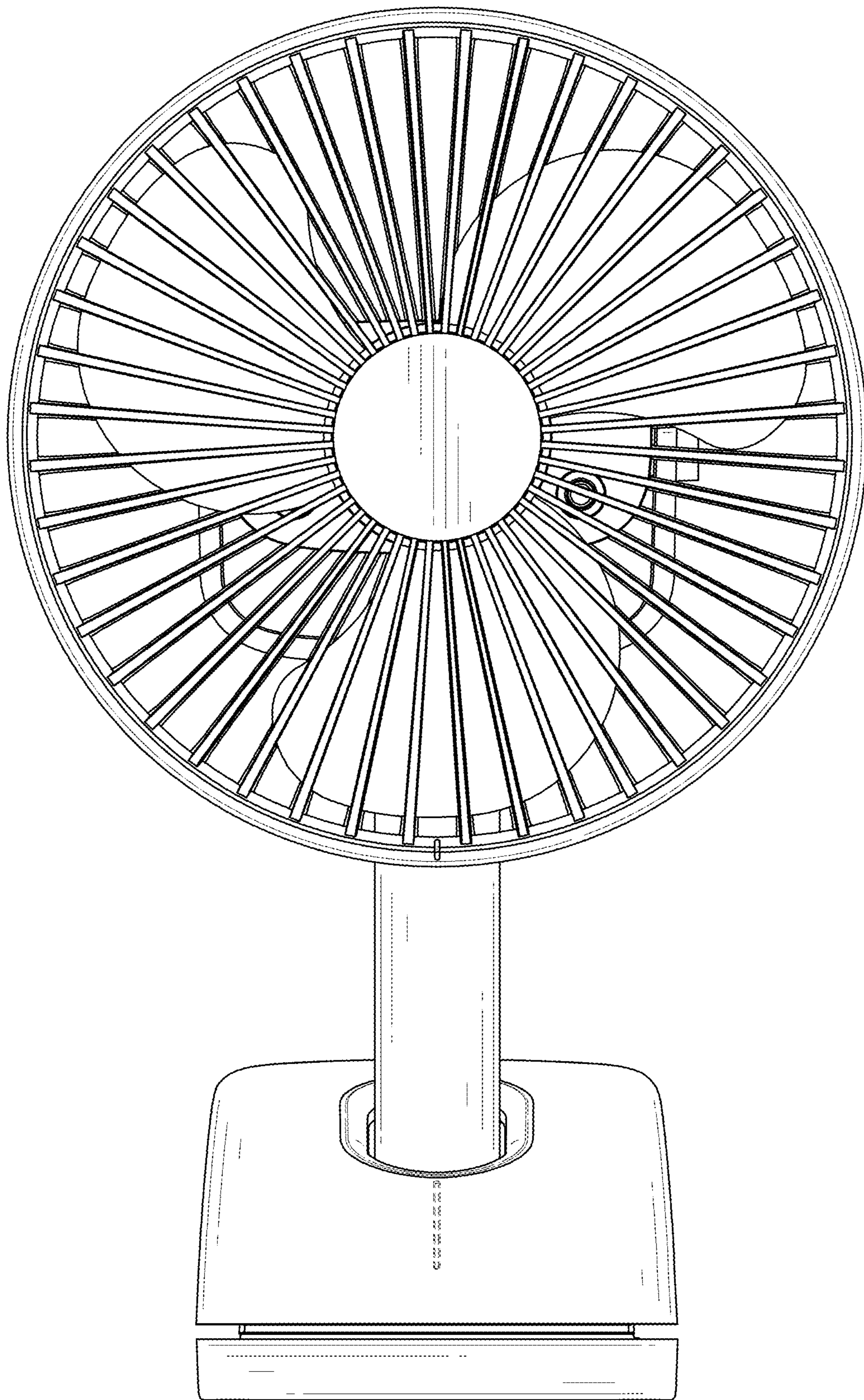


FIG. 3

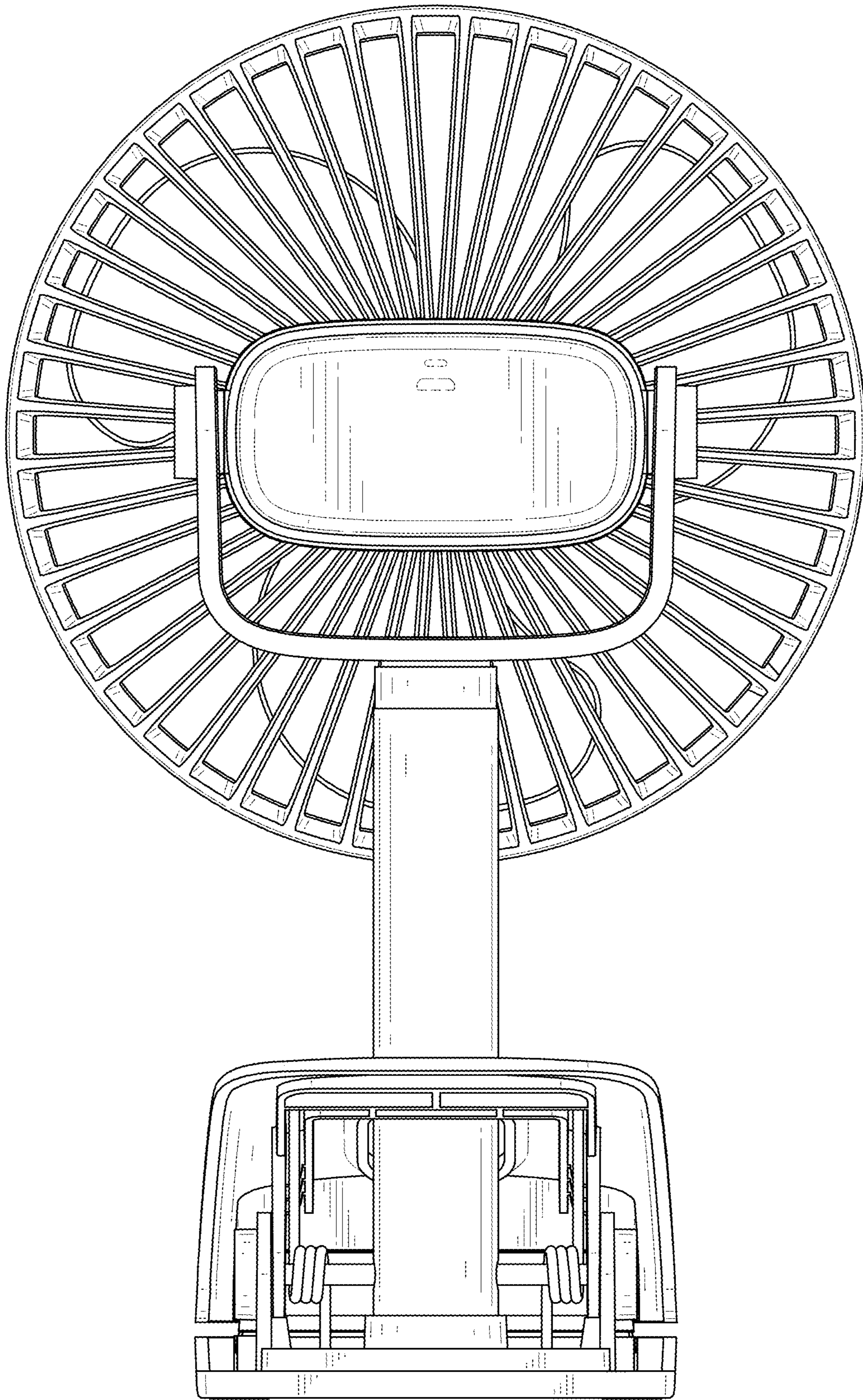


FIG. 4

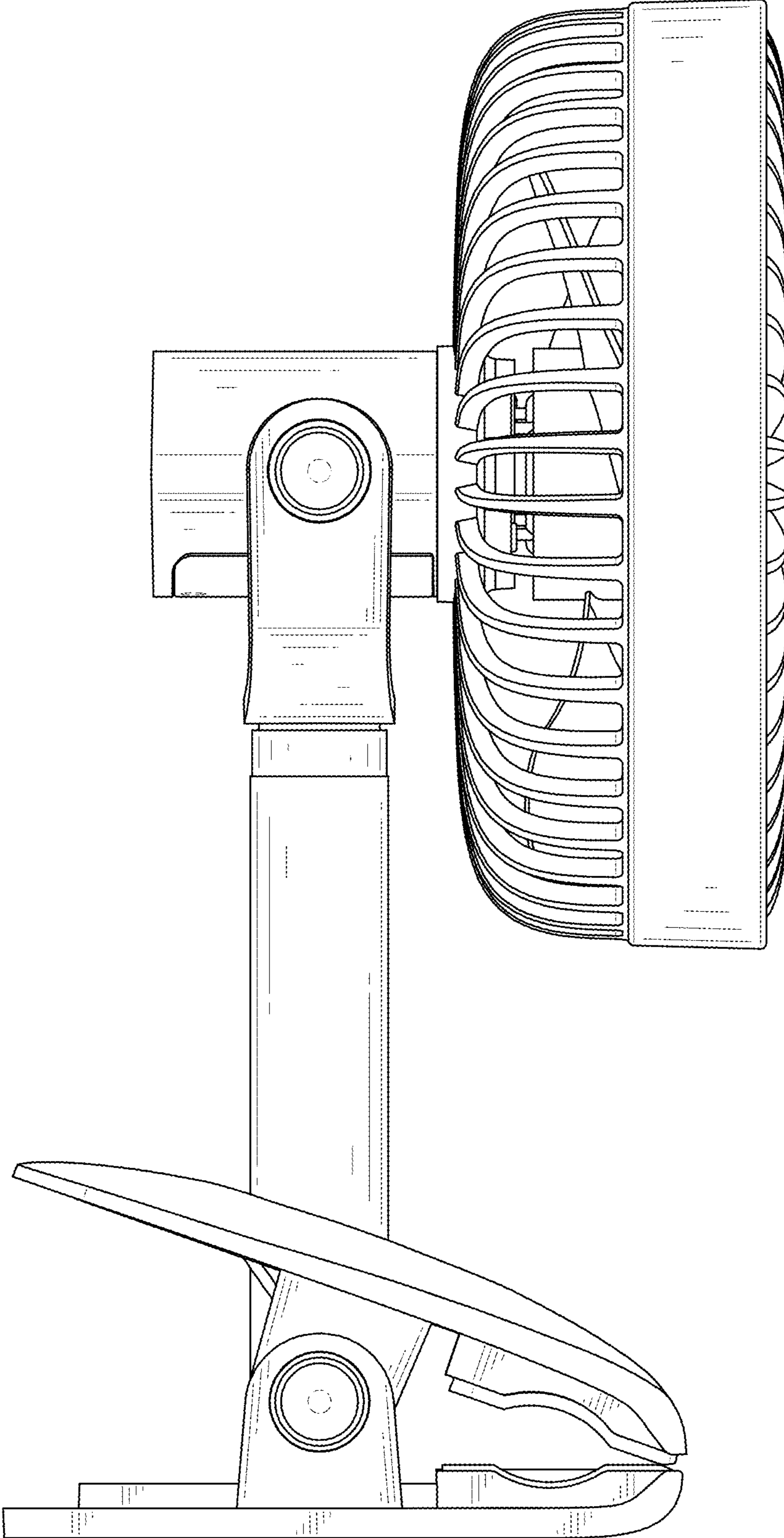


FIG. 5

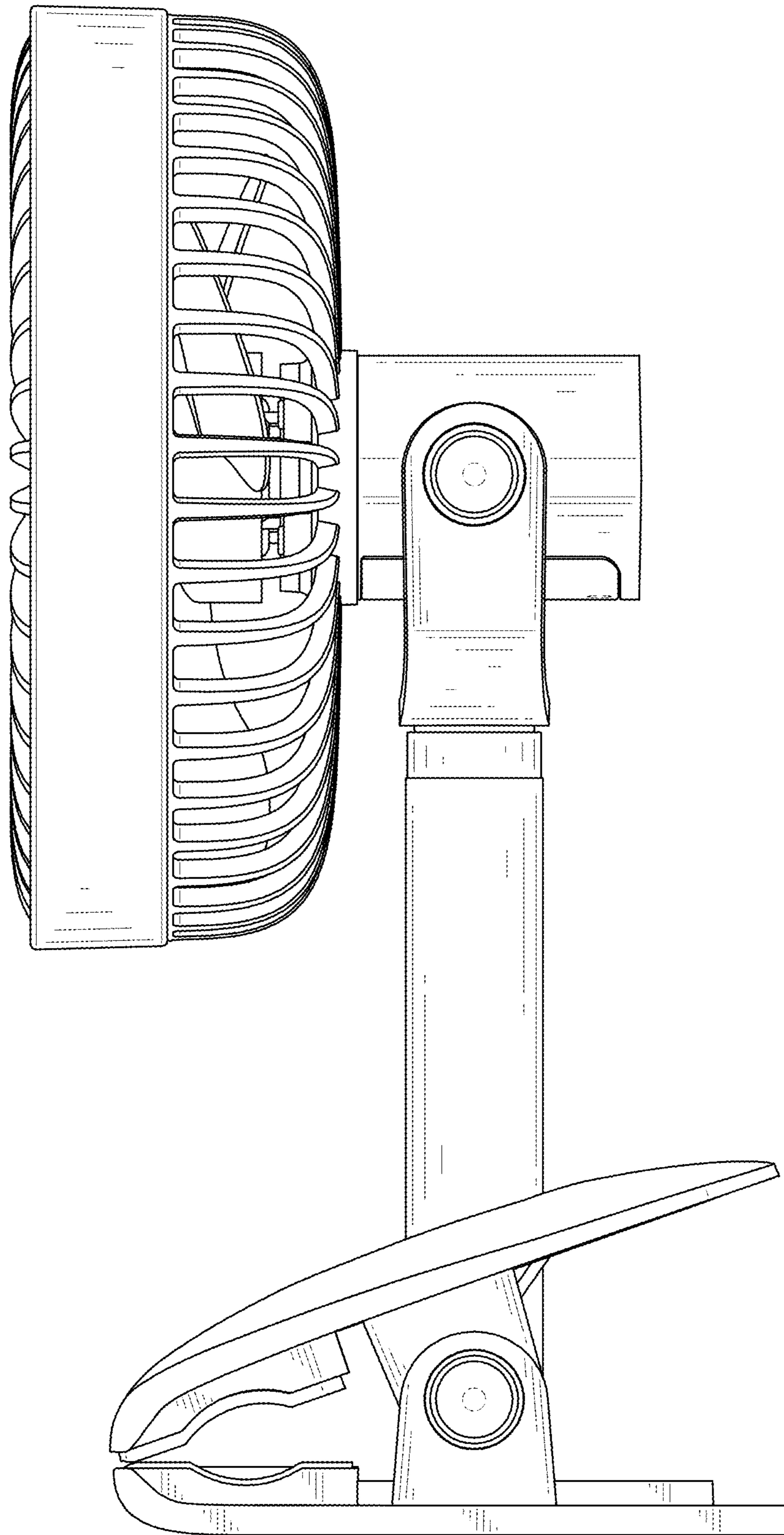


FIG. 6

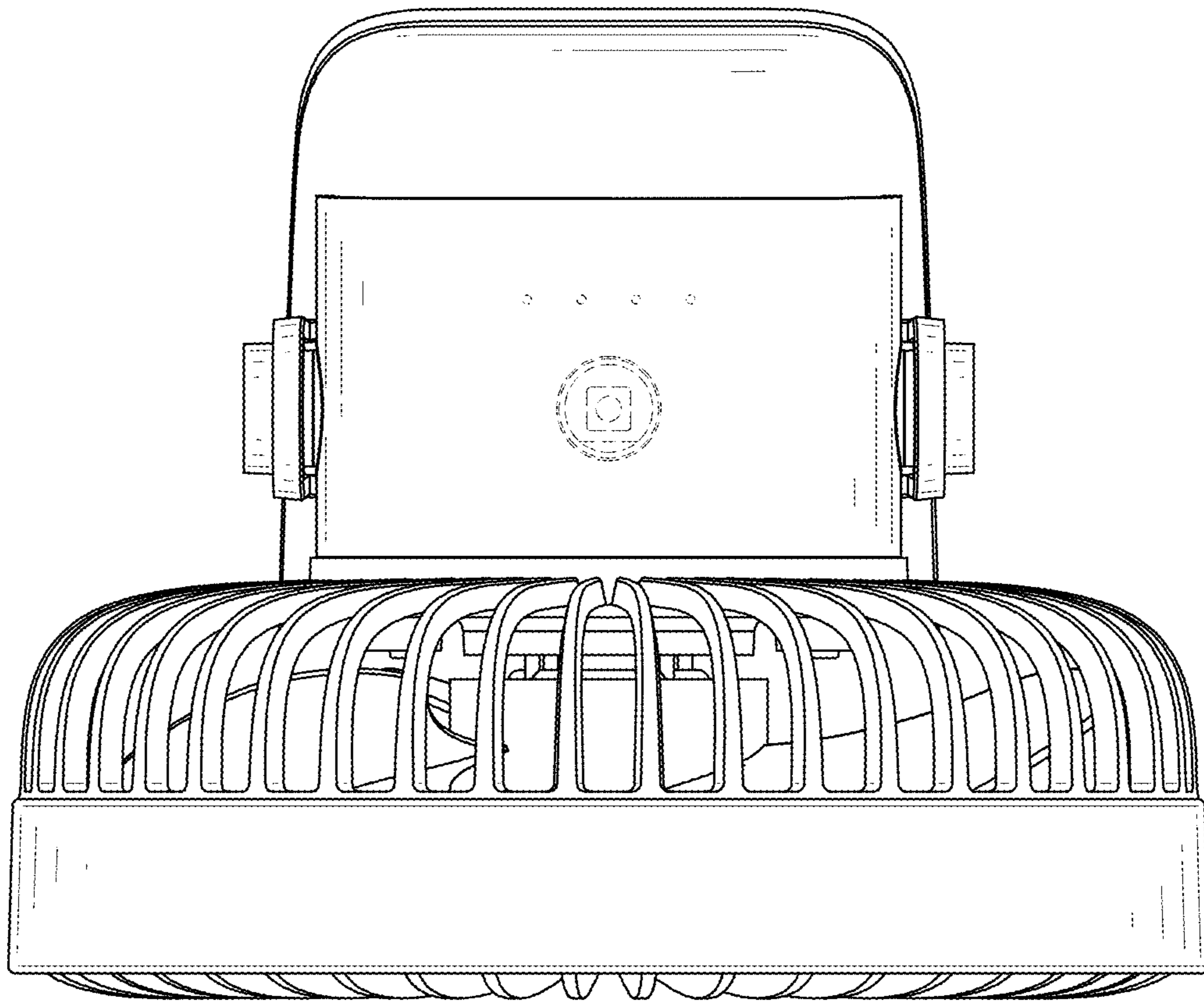


FIG. 7

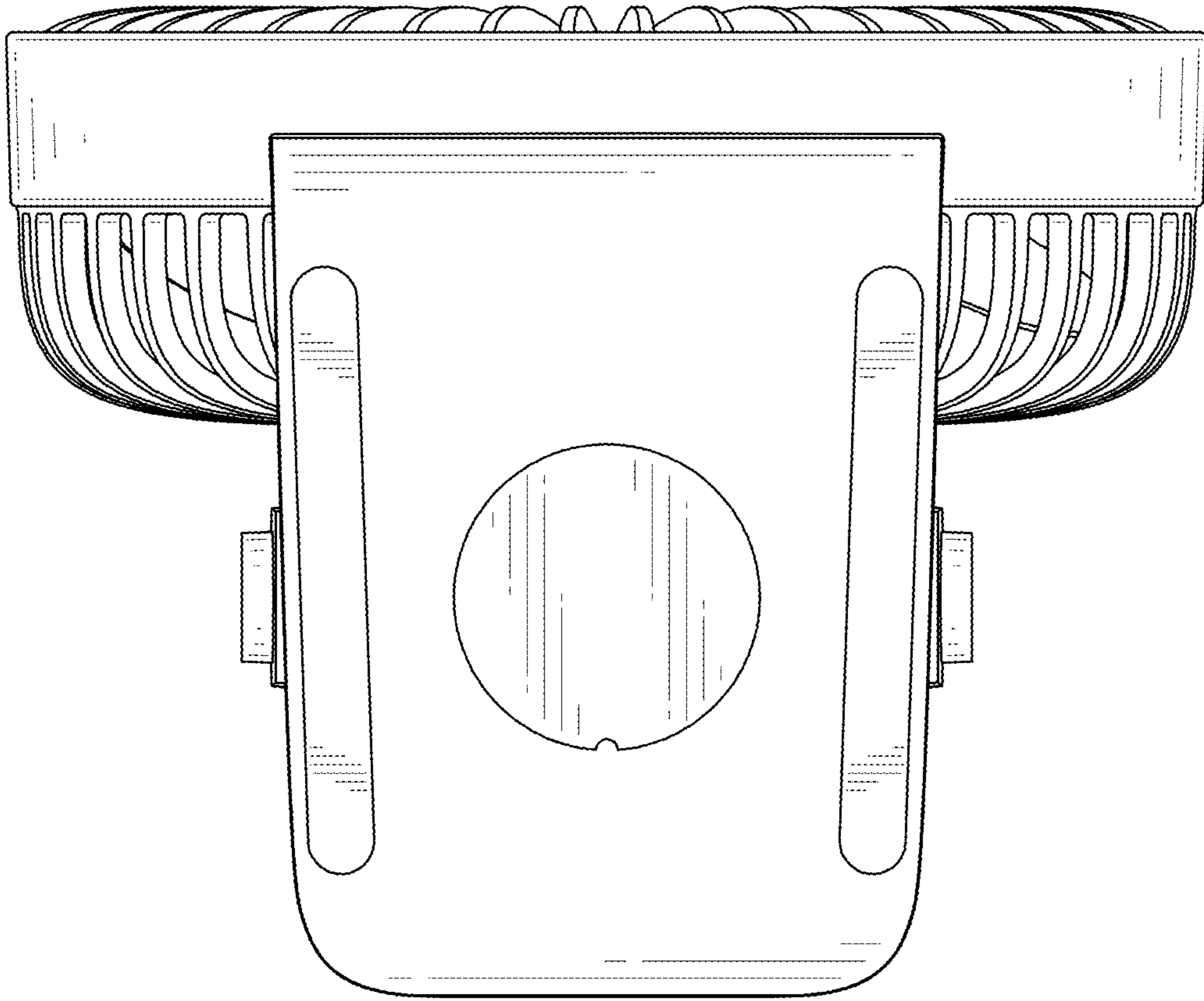


FIG. 8

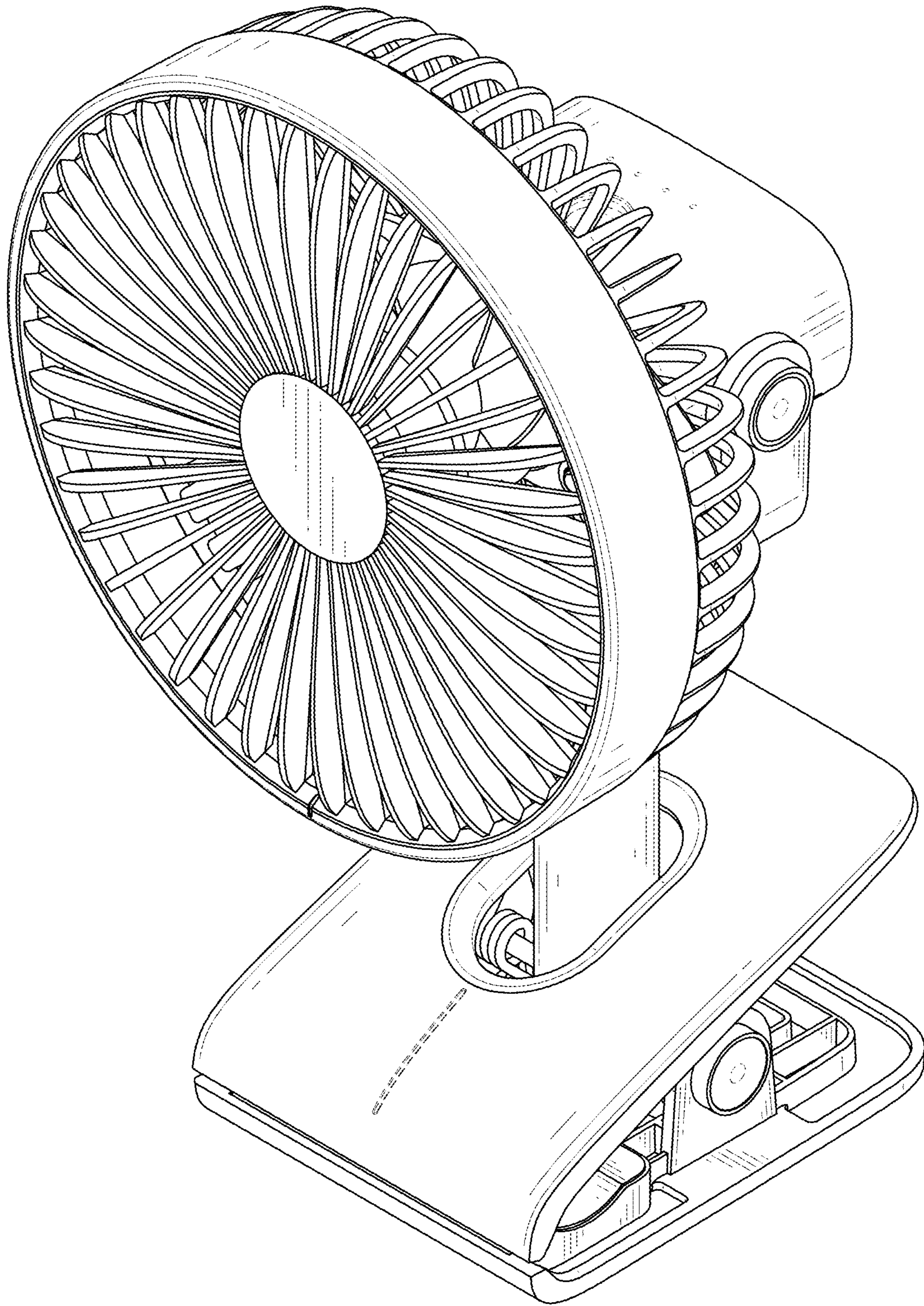


FIG. 9

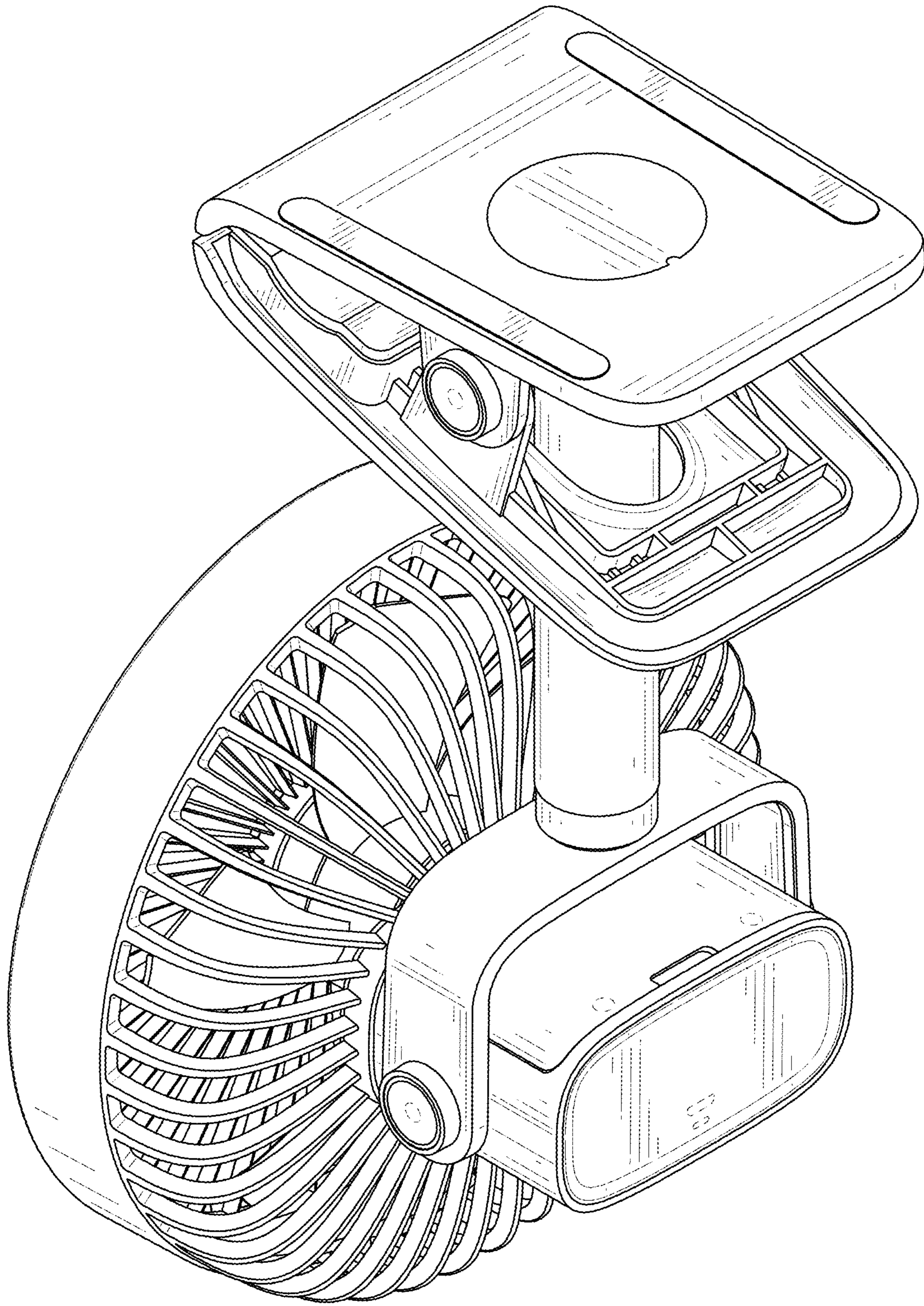


FIG. 10

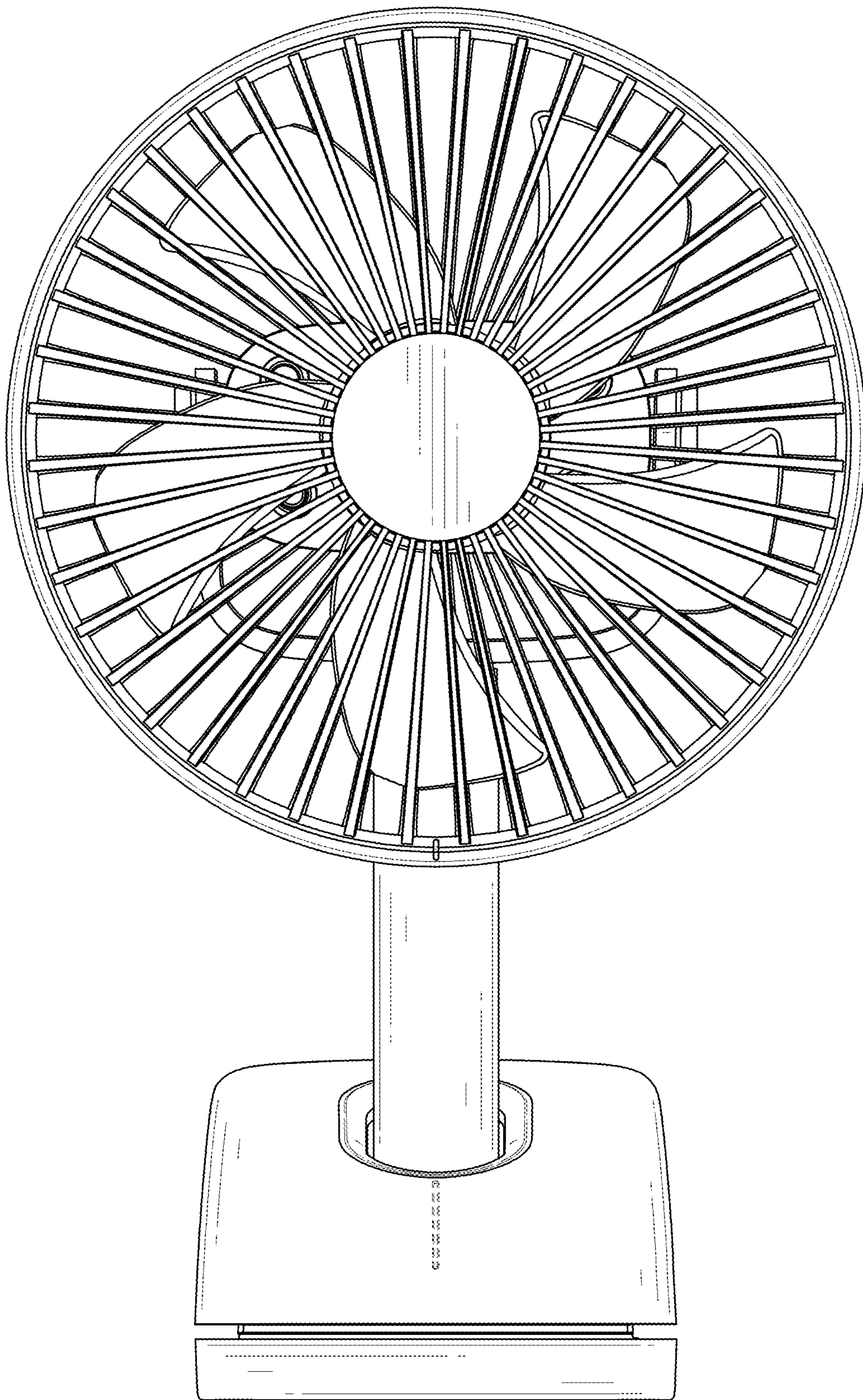


FIG. 11

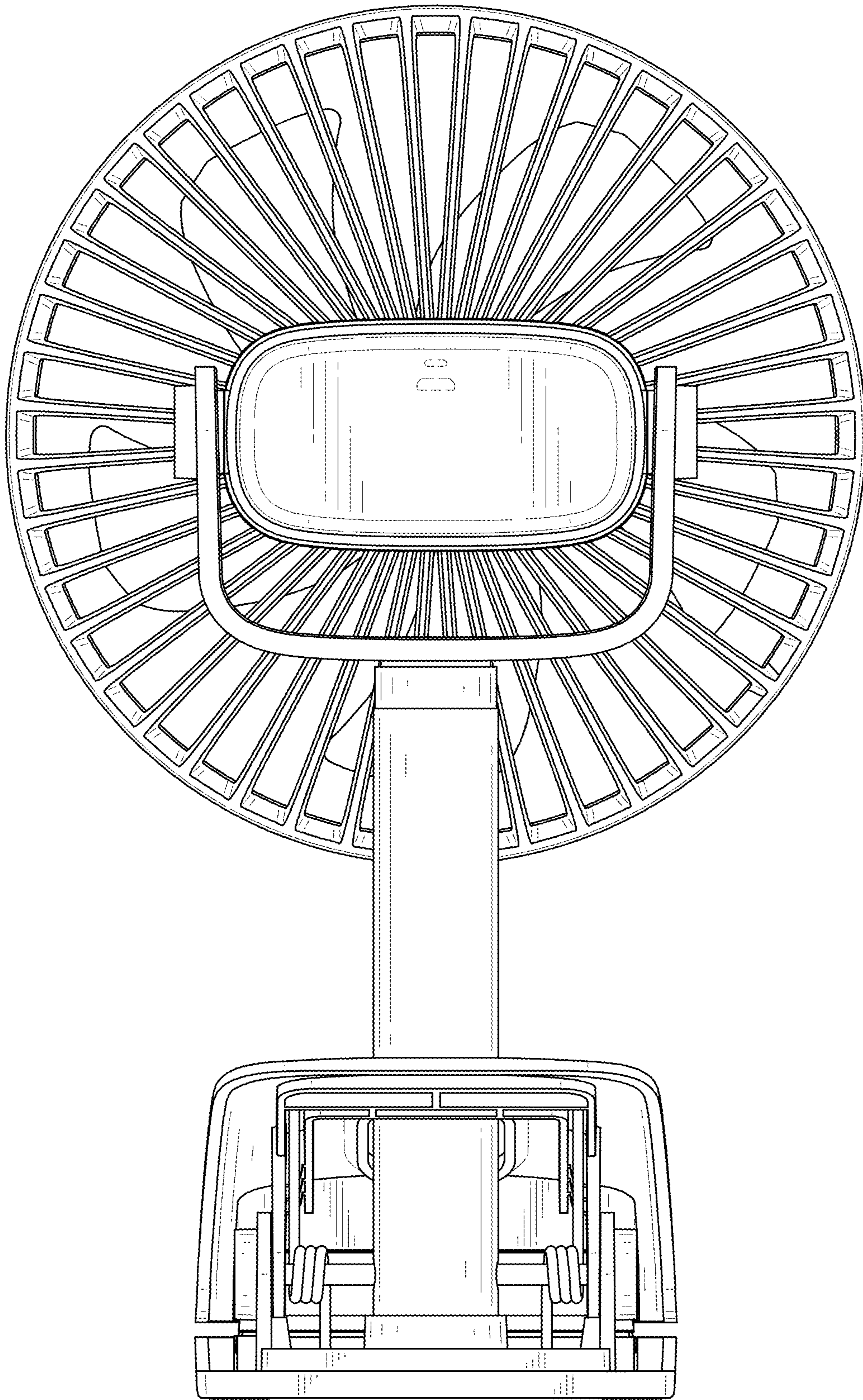


FIG. 12

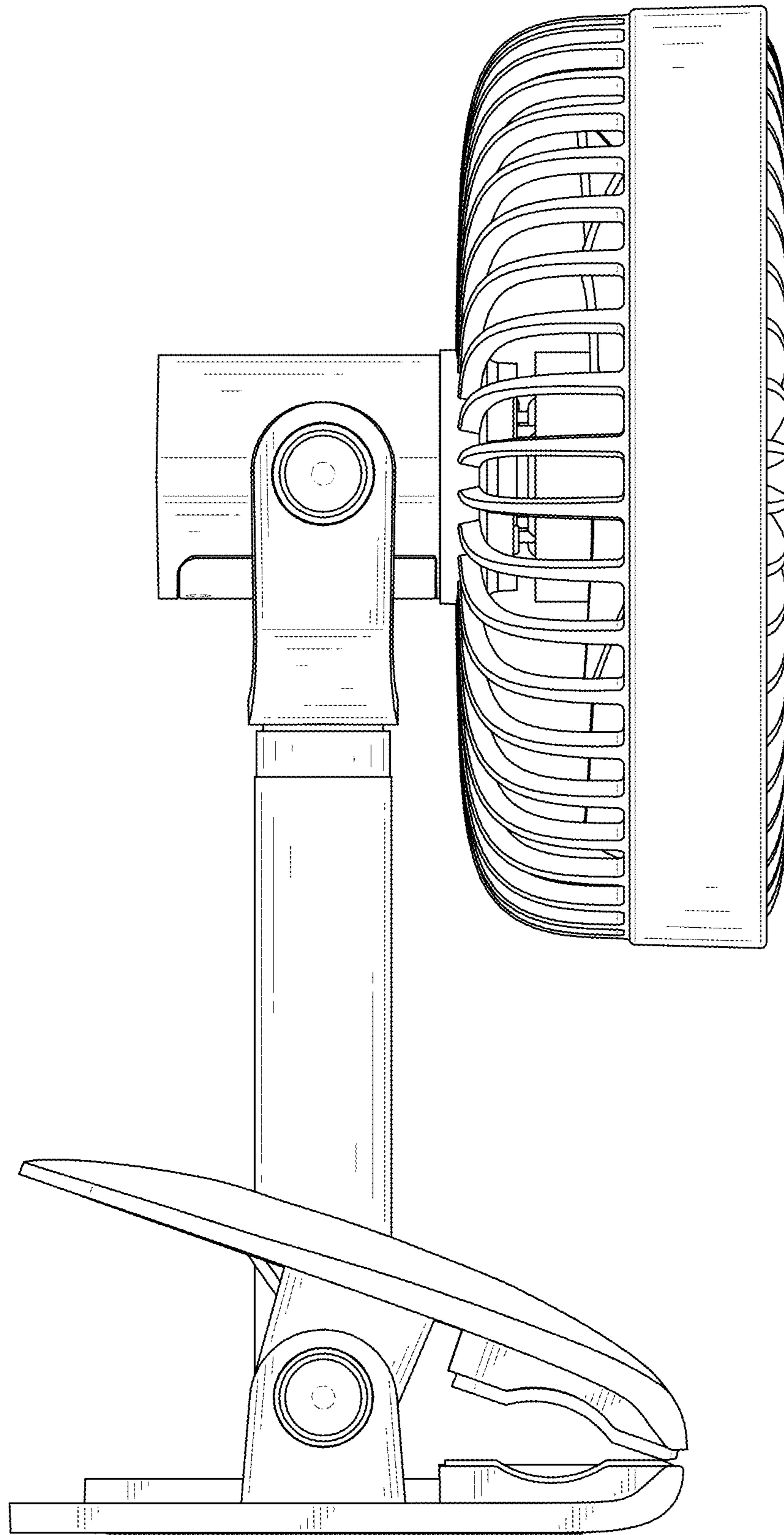


FIG. 13

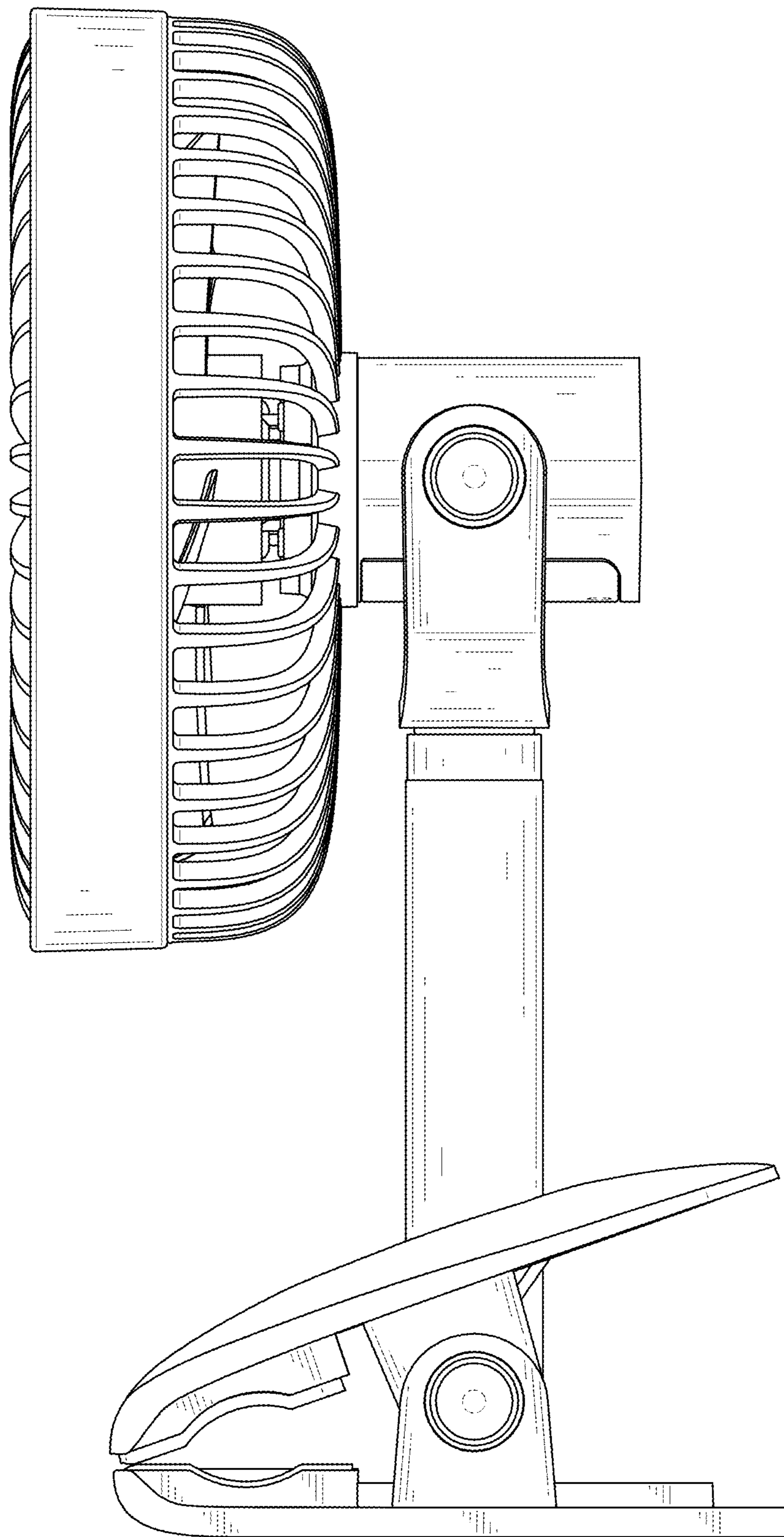


FIG. 14

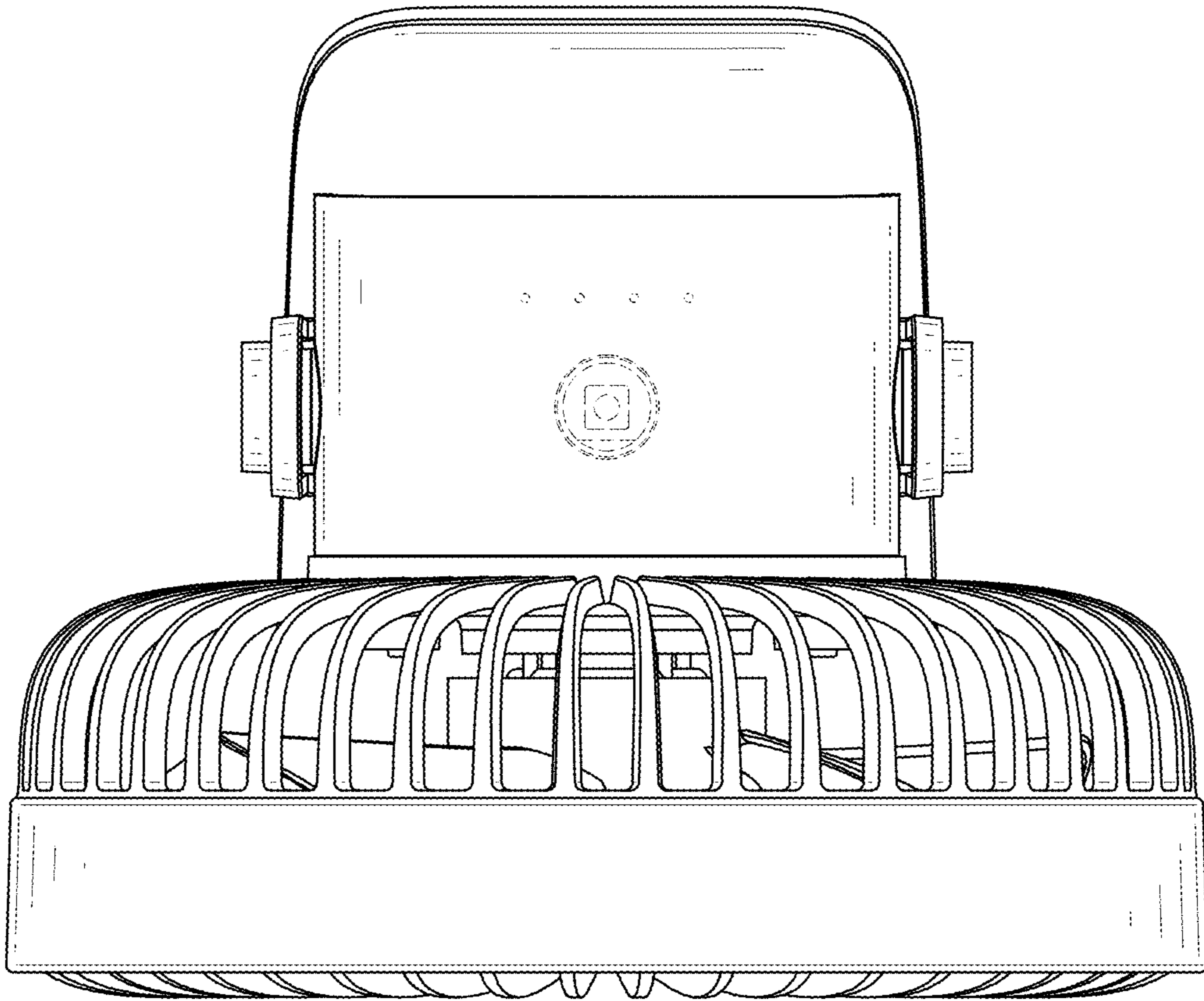


FIG. 15

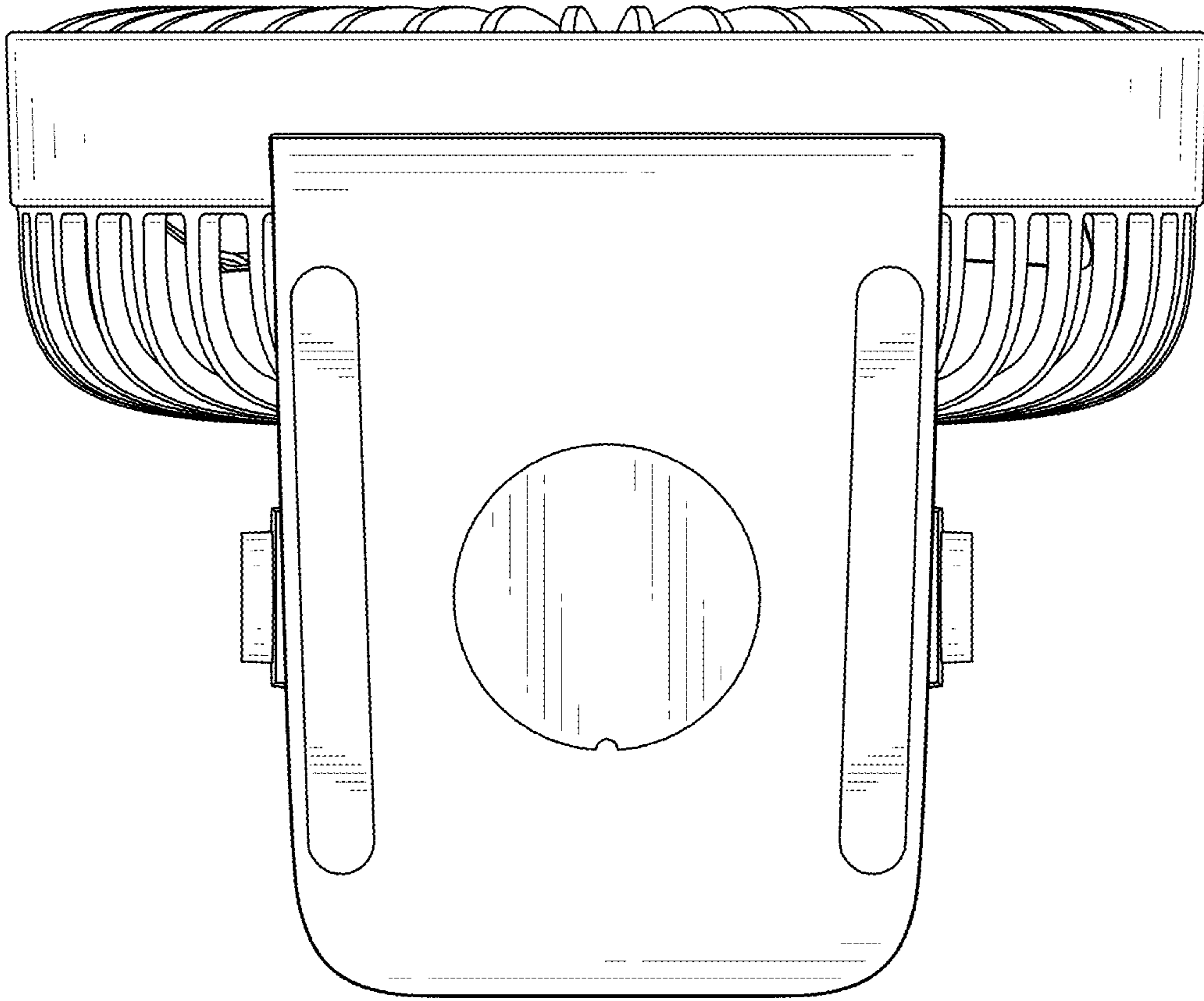


FIG. 16