



US00D902373S

(12) **United States Design Patent** (10) **Patent No.:** **US D902,373 S**
Xu (45) **Date of Patent:** **** Nov. 17, 2020**

(54) **FAN**
(71) Applicant: **ShenZhen TopSharp Precision Electronics Co., Ltd., Shenzhen (CN)**
(72) Inventor: **Wenlong Xu, Shenzhen (CN)**
(73) Assignee: **SHENZHEN TOPSHARP PRECISION ELECTRONICS CO., LTD., Shenzhen (CN)**

(**) Term: **15 Years**

(21) Appl. No.: **29/684,563**

(22) Filed: **Mar. 22, 2019**

(30) **Foreign Application Priority Data**

Feb. 25, 2019 (CN) 2019 3 0075431

(51) **LOC (12) Cl.** **23-04**

(52) **U.S. Cl.**
USPC **D23/382**

(58) **Field of Classification Search**
USPC D26/59; D23/370-385, 411-414, 355, D23/351, 352, 349, 333, 332, 336, 337
CPC F04D 25/088; F04D 29/38; F21V 21/03; B63H 1/16; F25D 5/00
See application file for complete search history.

(56) **References Cited**

U.S. PATENT DOCUMENTS

D304,368 S * 10/1989 Suzuki D23/382
D309,182 S * 7/1990 Hsu 416/63
6,155,782 A * 12/2000 Hsu F04D 25/084
415/126
6,378,845 B1 * 4/2002 Hsu F24F 6/00
239/222.11
D727,488 S * 4/2015 Hsu D23/382
D824,012 S * 7/2018 Xu D23/382
D837,963 S * 1/2019 Xu D23/382

D841,796 S * 2/2019 Freeland D23/382
D847,573 S * 5/2019 Xu D7/507
D855,171 S * 7/2019 Xu D23/382
D879,283 S * 3/2020 Liao D23/382
D881,369 S * 4/2020 Ding D23/370
D881,371 S * 4/2020 Hollinger D23/382
D885,555 S * 5/2020 Wang D23/382
D890,324 S * 7/2020 Xu D23/382
D893,699 S * 8/2020 Zhu D23/382
2010/0290907 A1 * 11/2010 Wark F24H 3/0417
416/63
2018/0355875 A1 * 12/2018 Freeland F04D 25/084

* cited by examiner

Primary Examiner — Janice Hallmark

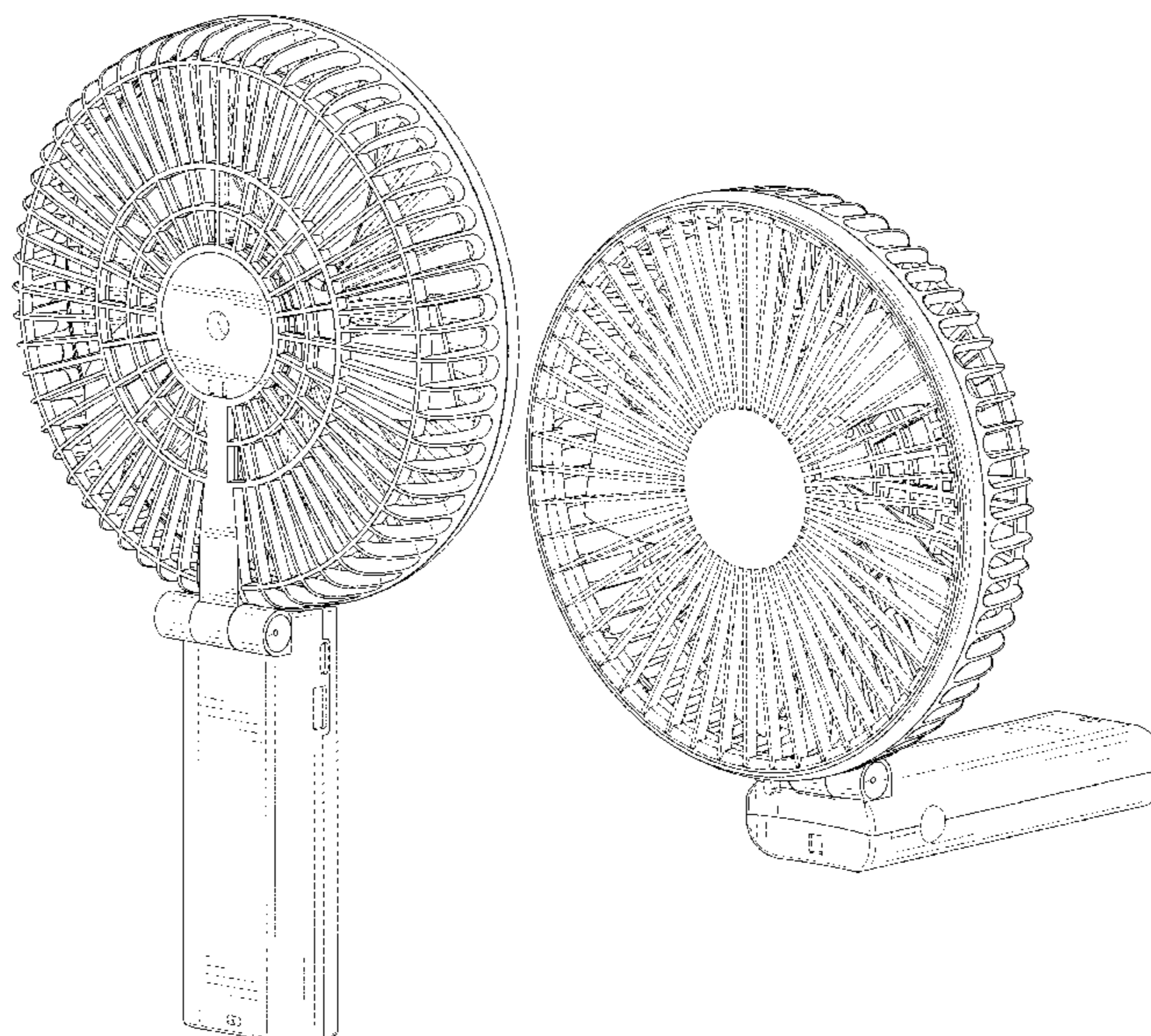
(57) **CLAIM**

The ornamental design for a fan, as shown and described.

DESCRIPTION

FIG. 1 is a front elevational view of the fan showing my new design;
FIG. 2 is a rear elevational view thereof;
FIG. 3 is a left side elevational view thereof;
FIG. 4 is a right side elevational view thereof;
FIG. 5 is a top plan view thereof;
FIG. 6 is a bottom plan view thereof;
FIG. 7 is a perspective view thereof, showing the fan in a first state;
FIG. 8 is another perspective view thereof, showing the fan in a first state;
FIG. 9 is a perspective view thereof, showing the fan in a second state;
FIG. 10 is a perspective view thereof, showing the fan in third state; and,
FIG. 11 is a perspective view thereof, showing the fan with an unclaimed base.
The broken lines in the drawings depict portions of the fan that form no part of the claimed design.

1 Claim, 11 Drawing Sheets



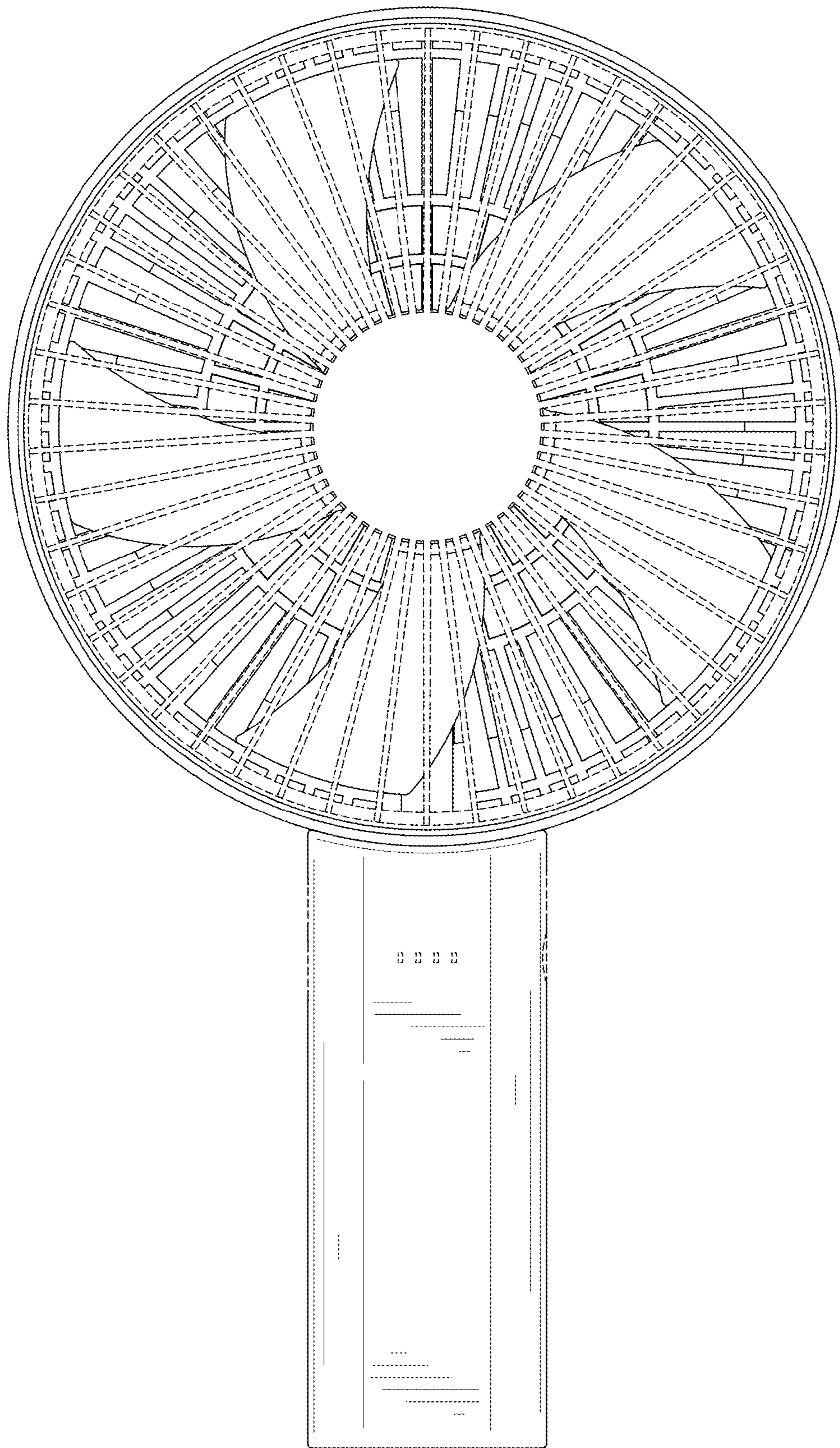


FIG. 1

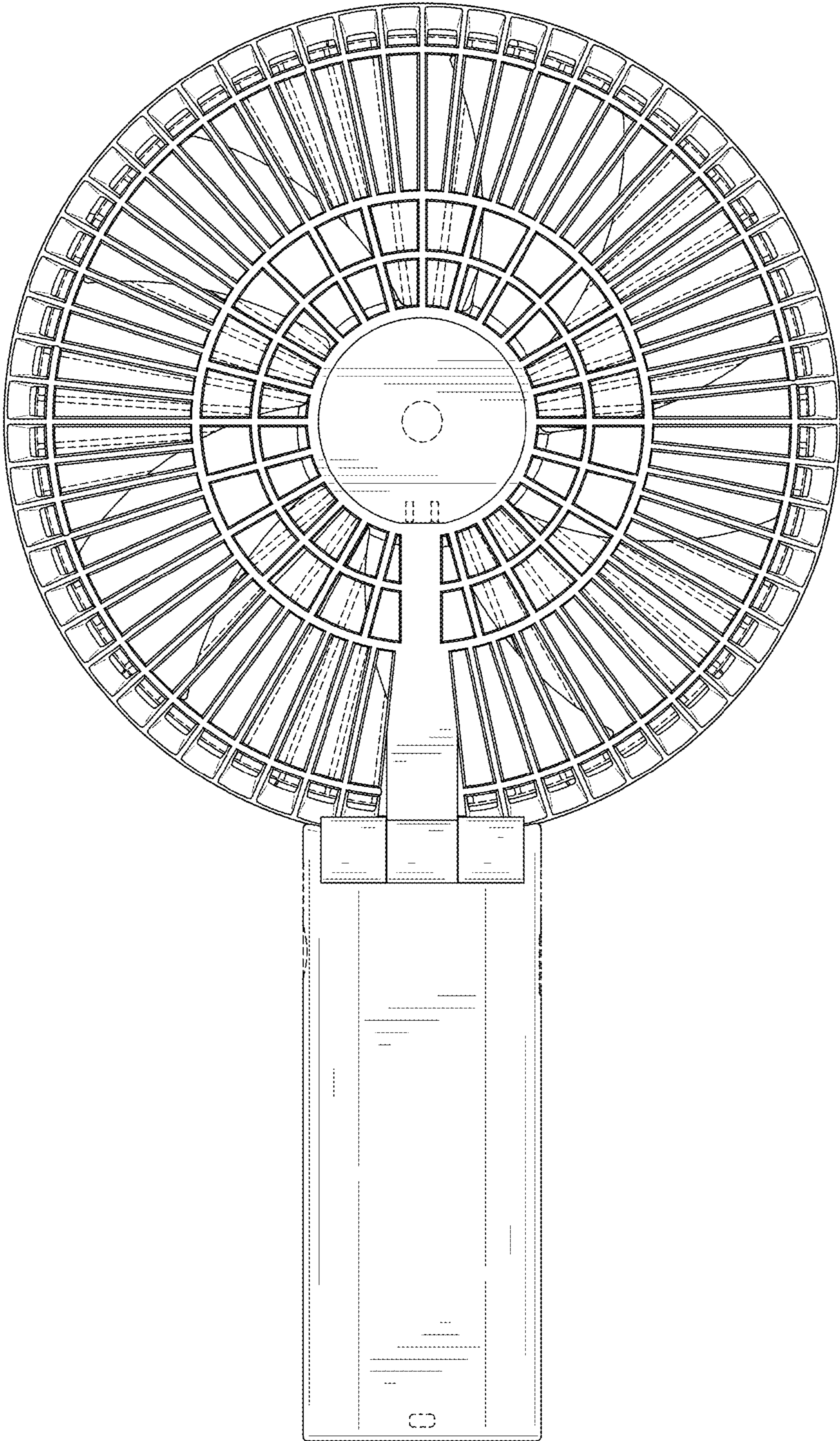


FIG. 2

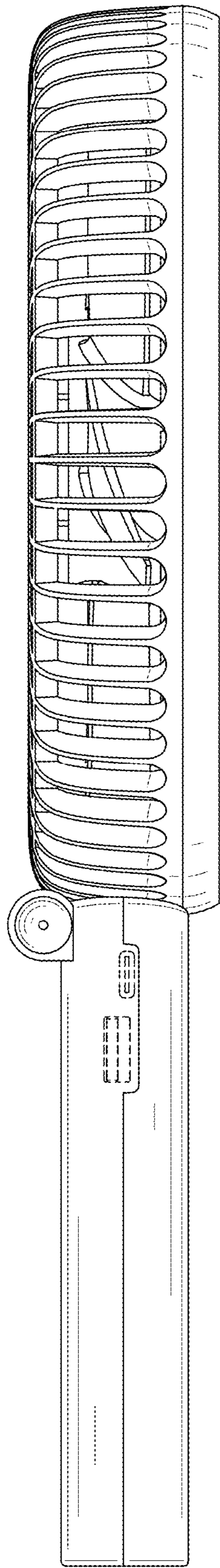


FIG. 3

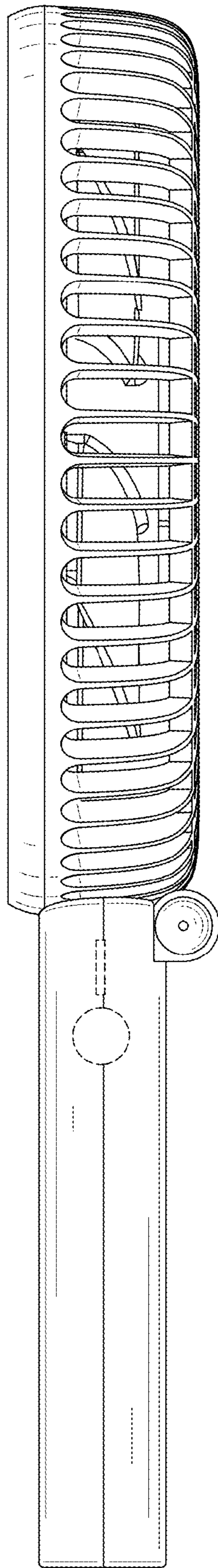


FIG. 4

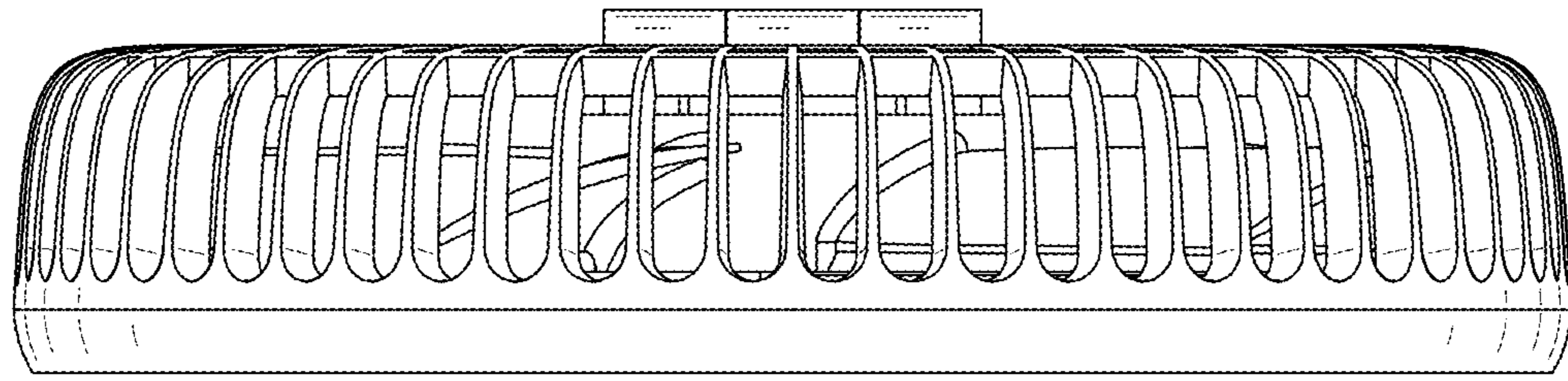


FIG. 5

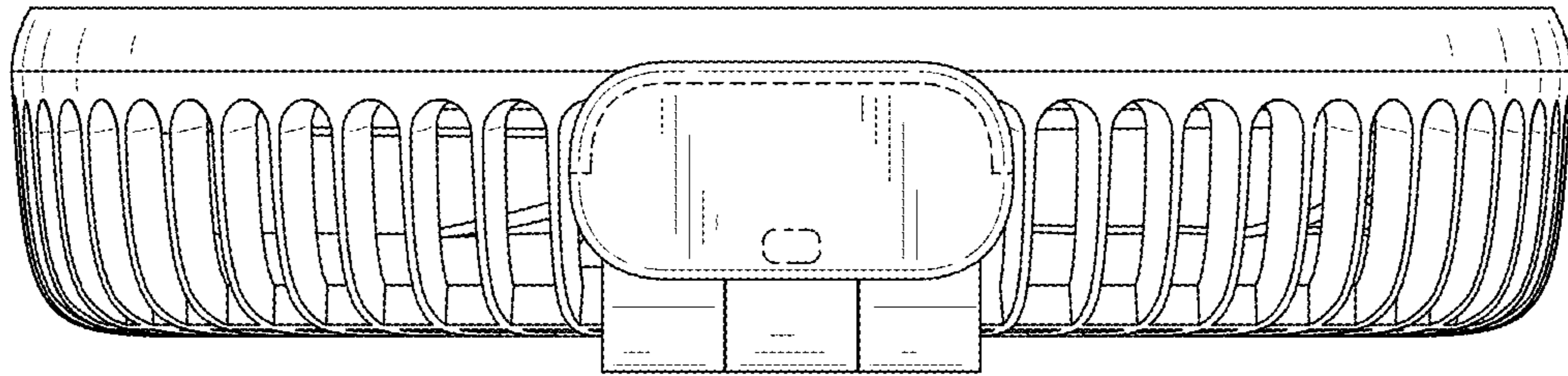


FIG. 6

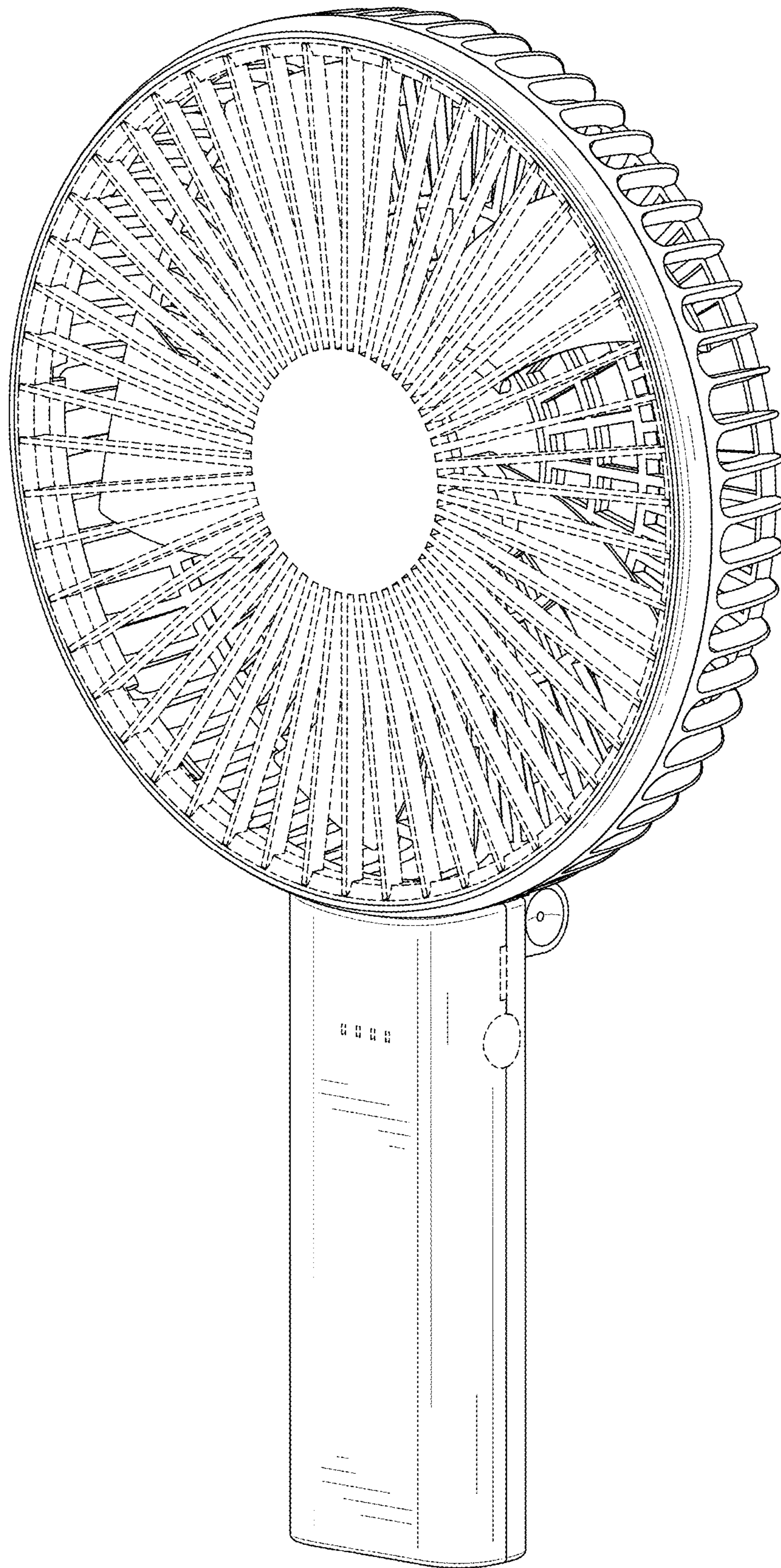


FIG. 7

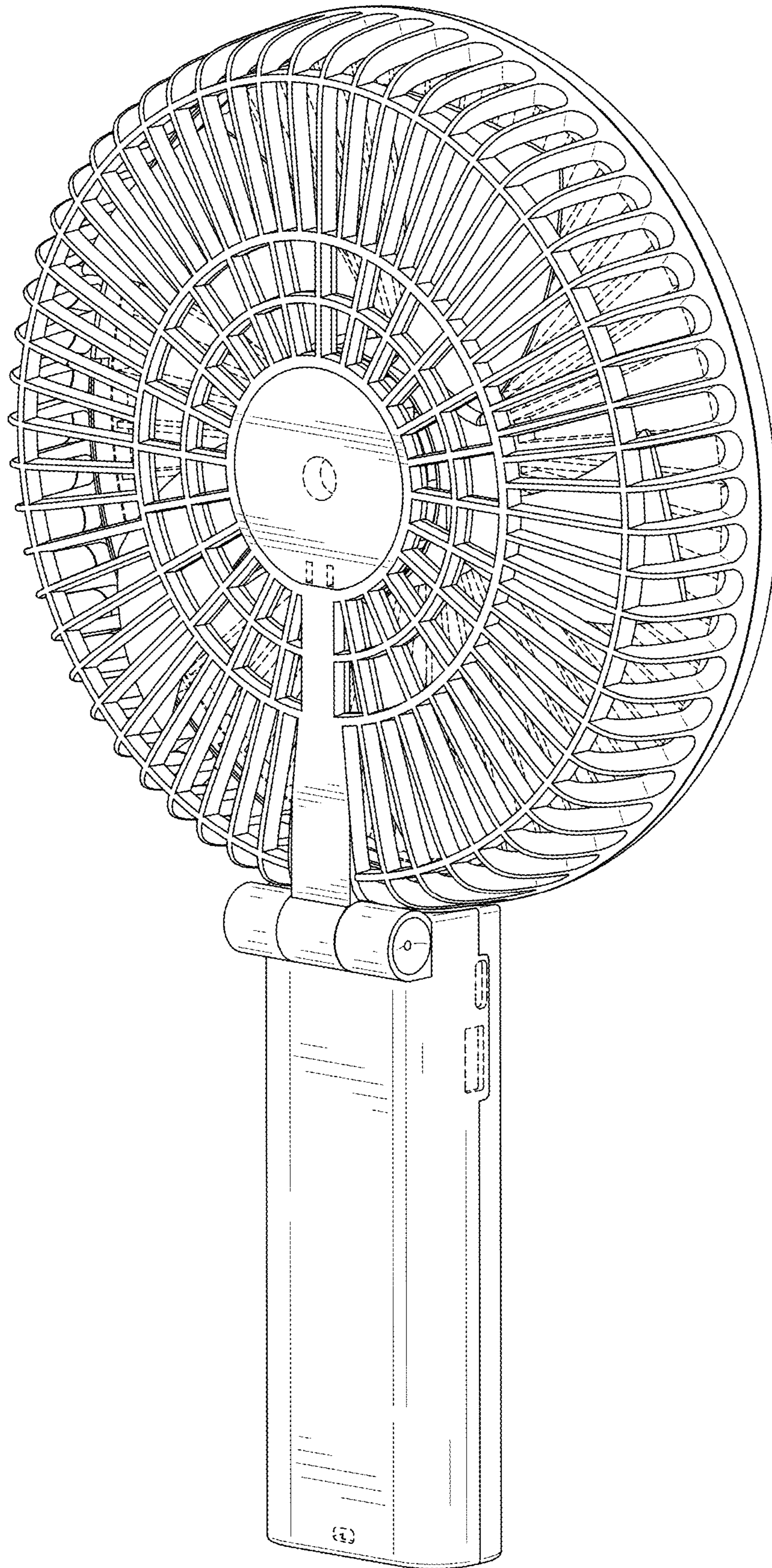


FIG. 8

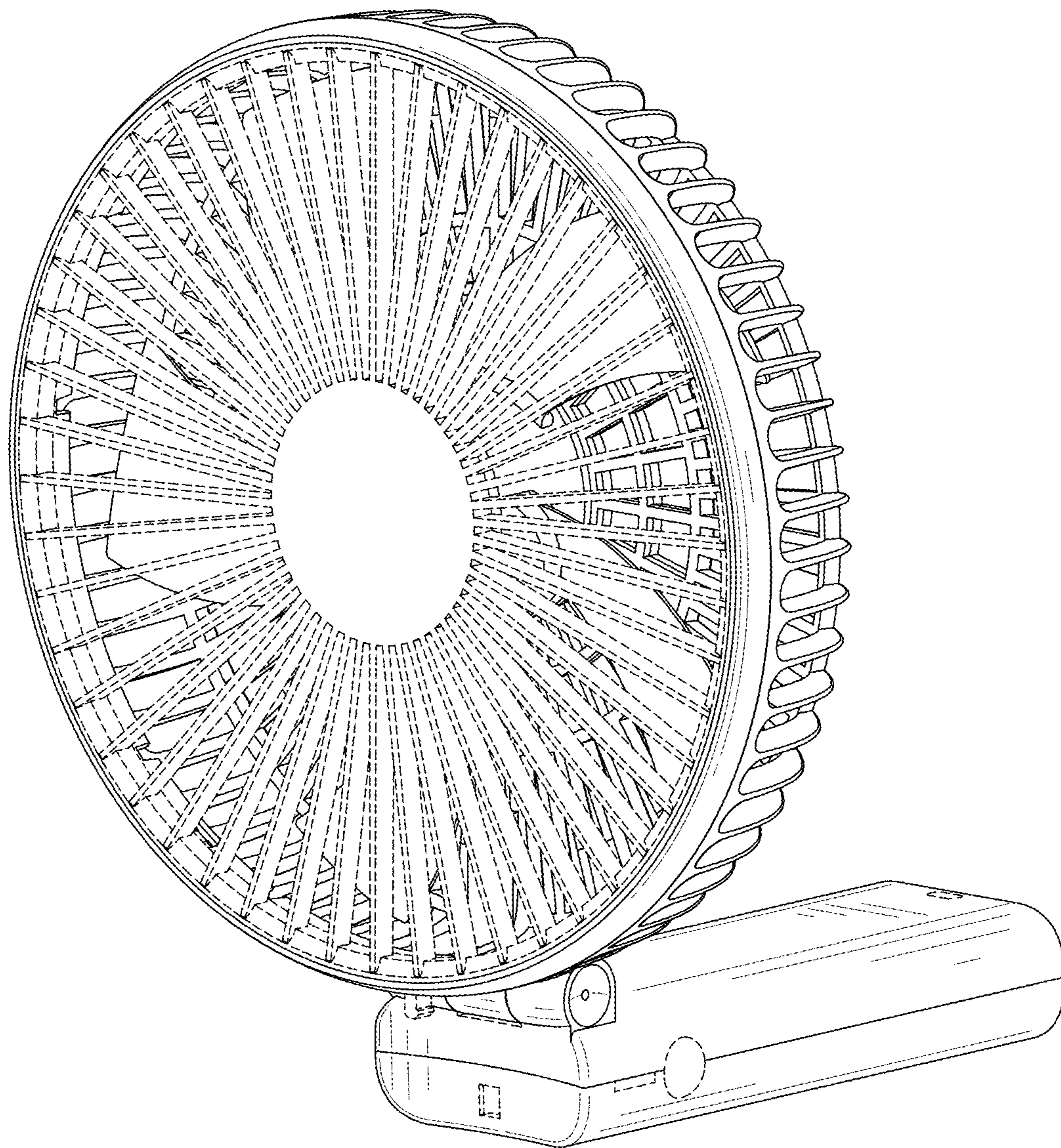


FIG. 9

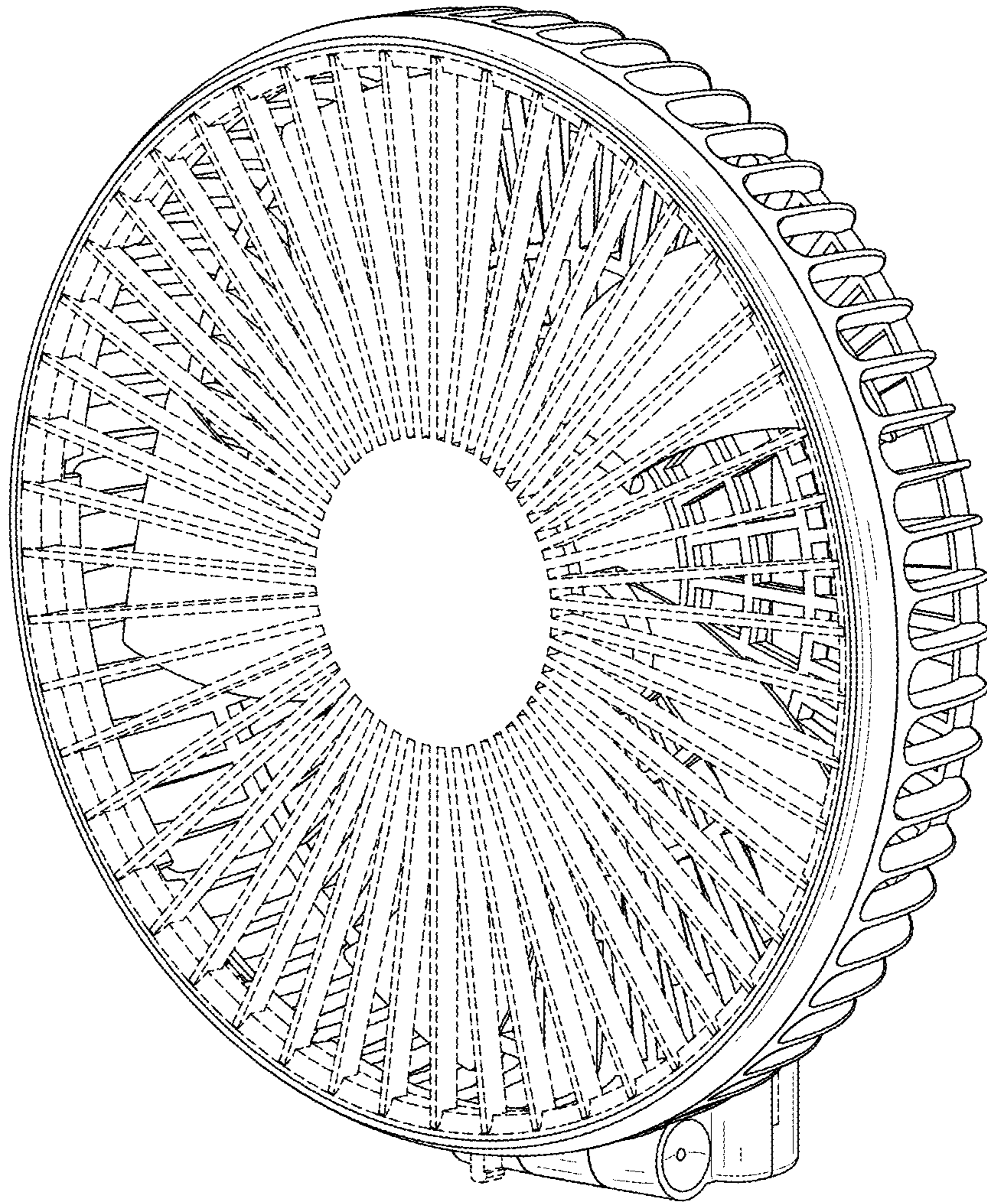


FIG. 10

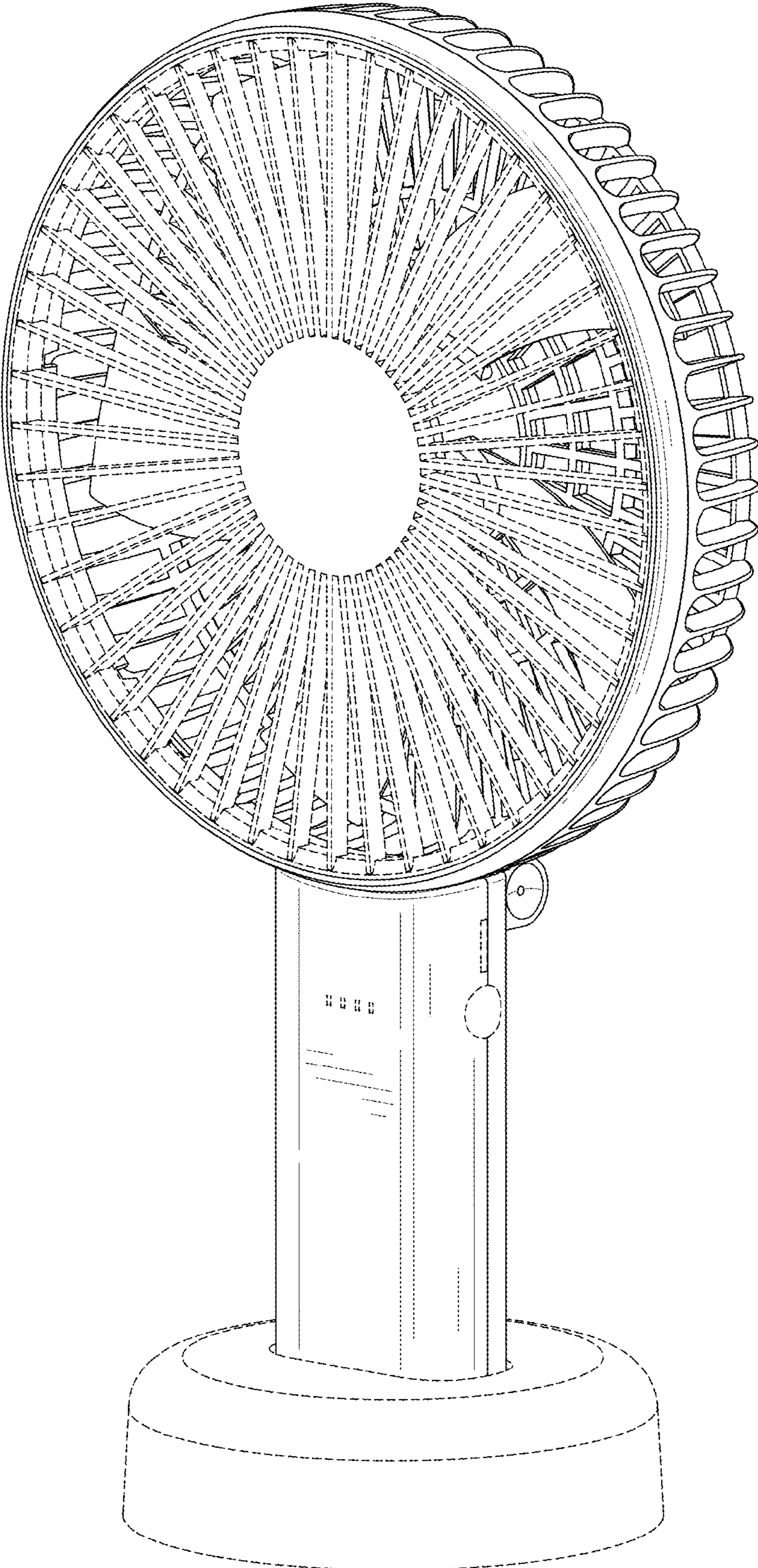


FIG. 11