



US00D902371S

(12) **United States Design Patent**
Wall et al.

(10) **Patent No.:** **US D902,371 S**

(45) **Date of Patent:** **** Nov. 17, 2020**

- (54) **AIR INTAKE KIT FILTER**
- (71) Applicant: **K&N Engineering, Inc.**, Riverside, CA (US)
- (72) Inventors: **Jere James Wall**, Helendale, CA (US); **Jonathan Richard Fiello**, Yucaipa, CA (US); **Steve Williams**, Cherry Valley, CA (US)
- (73) Assignee: **K&N Engineering, Inc.**, Riverside, CA (US)
- (**) Term: **15 Years**
- (21) Appl. No.: **29/682,961**
- (22) Filed: **Mar. 8, 2019**
- (51) **LOC (12) Cl.** **23-04**
- (52) **U.S. Cl.**
USPC **D23/365**
- (58) **Field of Classification Search**
USPC D23/209, 358, 355, 364, 365, 386–393
CPC F24F 13/0218; F24F 13/06; F24F 13/062; F24F 2013/0608; F24F 2221/14; B64D 33/02; B64D 2033/0246; F02C 7/05
See application file for complete search history.

- D739,513 S * 9/2015 Williams B01D 46/0023 D23/365
- D777,211 S * 1/2017 Wall D15/5
- D800,609 S * 10/2017 Trask D12/110
- D800,883 S * 10/2017 Trask D23/365
- D835,767 S * 12/2018 Williams D23/365
- D841,694 S * 2/2019 Tomlinson D15/5
- D852,680 S * 7/2019 Ness D12/114

OTHER PUBLICATIONS

Amazon.com, Assault Racing Products Air Cleaner, reviewed May 2016, online product page, retrieved Apr. 9, 2020 from <URL: <https://www.amazon.com/Assault-Racing-Products-Polished-Aluminum/dp/B00S75DJ30>> (Year: 2016).*

Carid.com, K&N Oval Tapered Red Air Filter, undated online product page, retrieved Apr. 9, 2020 from <URL: <https://www.carid.com/knn/knn-oval-tapered-air-filter-2056587057.html>> (Year: 2020).*

* cited by examiner

Primary Examiner — Sheryl Lane
Assistant Examiner — Calvin E Vansant
 (74) *Attorney, Agent, or Firm* — Rutan & Tucker LLP; Hani Z. Sayed

(57) **CLAIM**

The ornamental design for an air intake kit filter, as shown and described.

DESCRIPTION

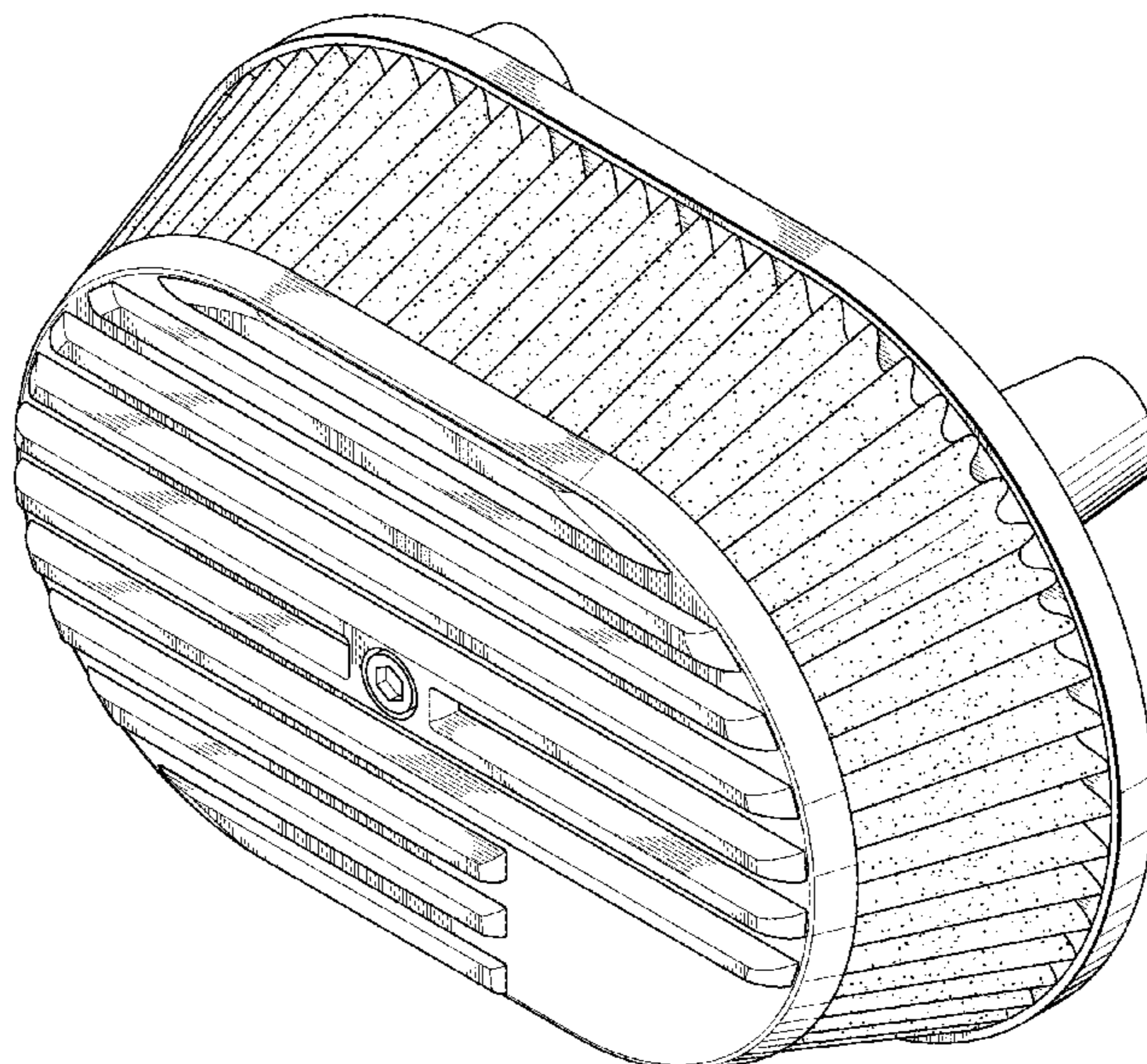
FIG. 1—Top, front, right side perspective view;
 FIG. 2—Front elevation view;
 FIG. 3—Rear elevation view;
 FIG. 4—Left side elevation view;
 FIG. 5—Right side elevation view;
 FIG. 6—Top plan view; and,
 FIG. 7—Bottom plan view.
 The broken lines depict portions of the air intake kit filter that form no part of the claimed design.

1 Claim, 6 Drawing Sheets

(56) **References Cited**

U.S. PATENT DOCUMENTS

- 5,102,436 A * 4/1992 Grabowski B01D 46/0023 55/483
- D403,414 S * 12/1998 Shelton D23/365
- D403,416 S * 12/1998 Shelton D23/365
- D530,807 S * 10/2006 Miyagishima D23/365
- D642,592 S * 8/2011 Sands D12/114
- D652,497 S * 1/2012 Troxell D23/365
- D690,407 S * 9/2013 Williams D23/365
- D706,831 S * 6/2014 Schultz D15/5
- D716,429 S * 10/2014 Carter D23/365
- D736,263 S * 8/2015 Schultz D15/5



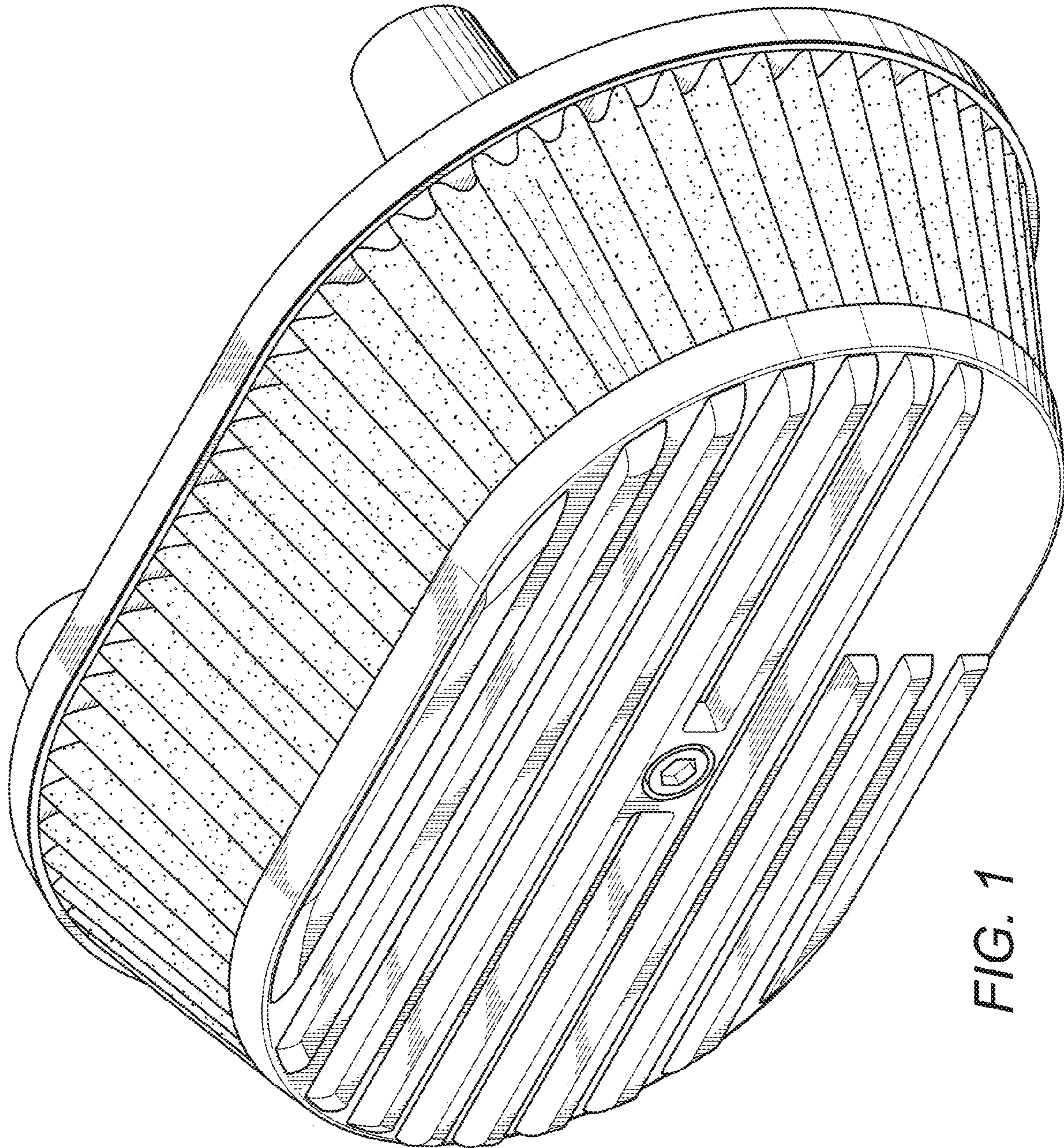


FIG. 1

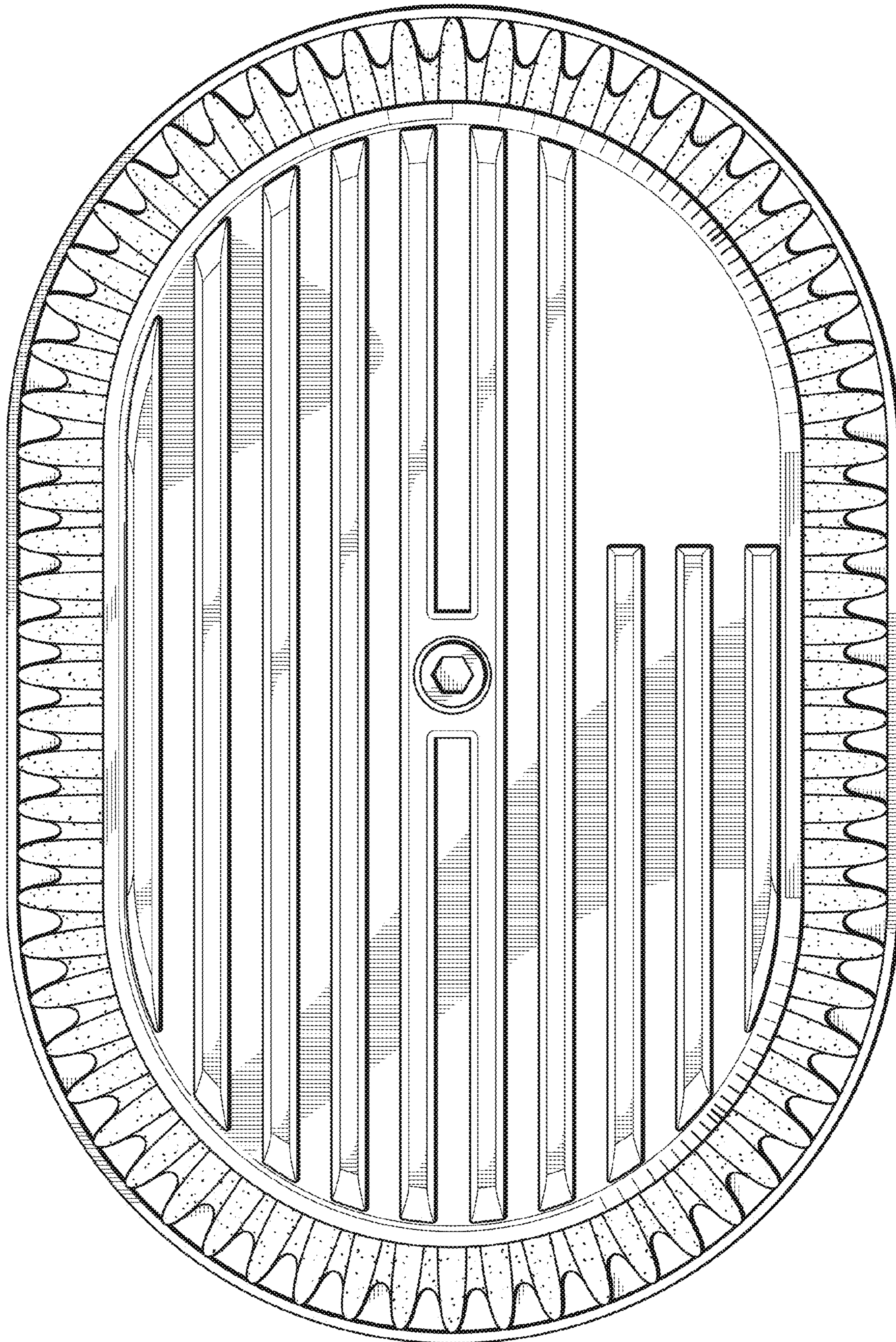


FIG. 2

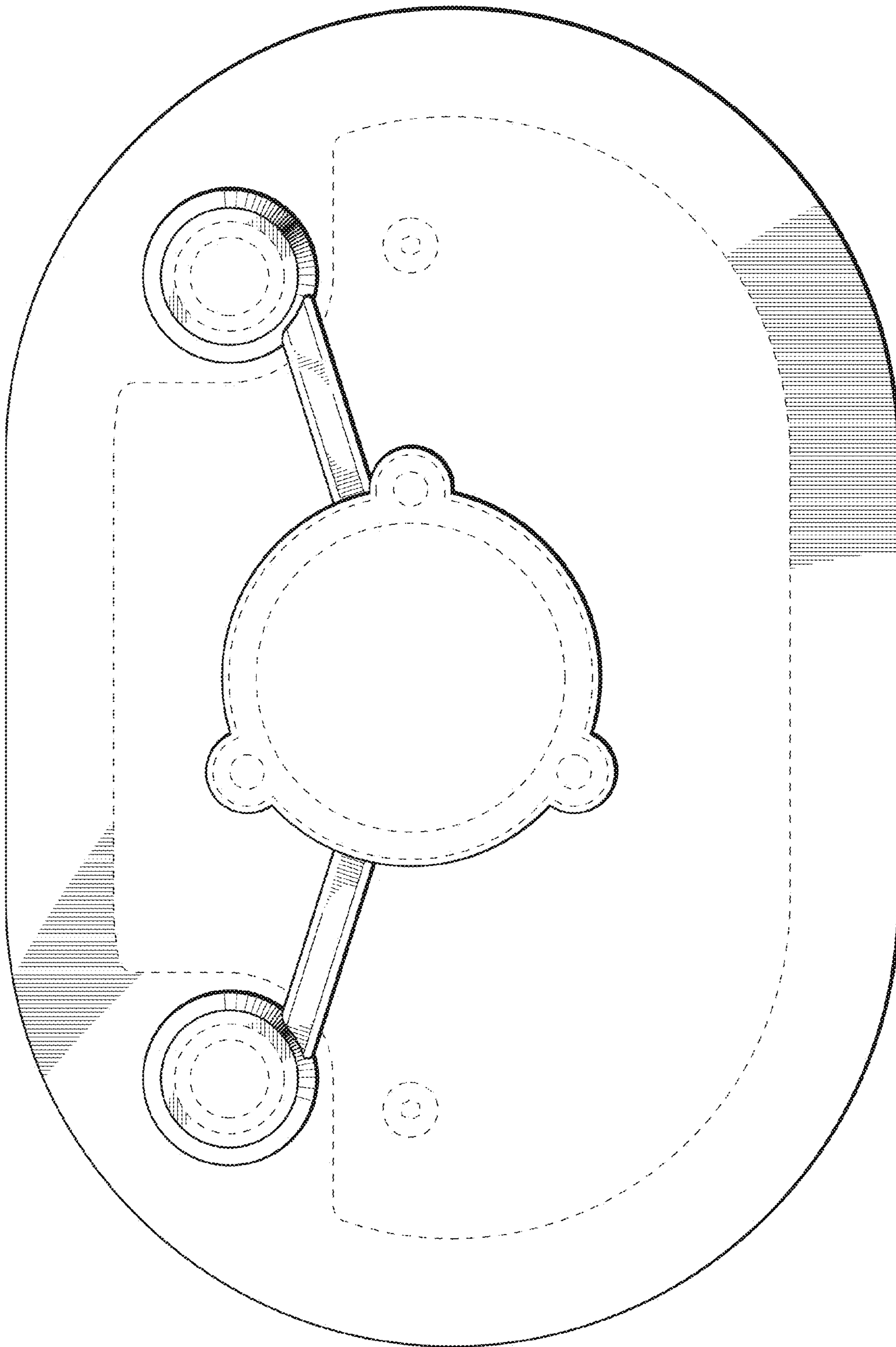


FIG. 3

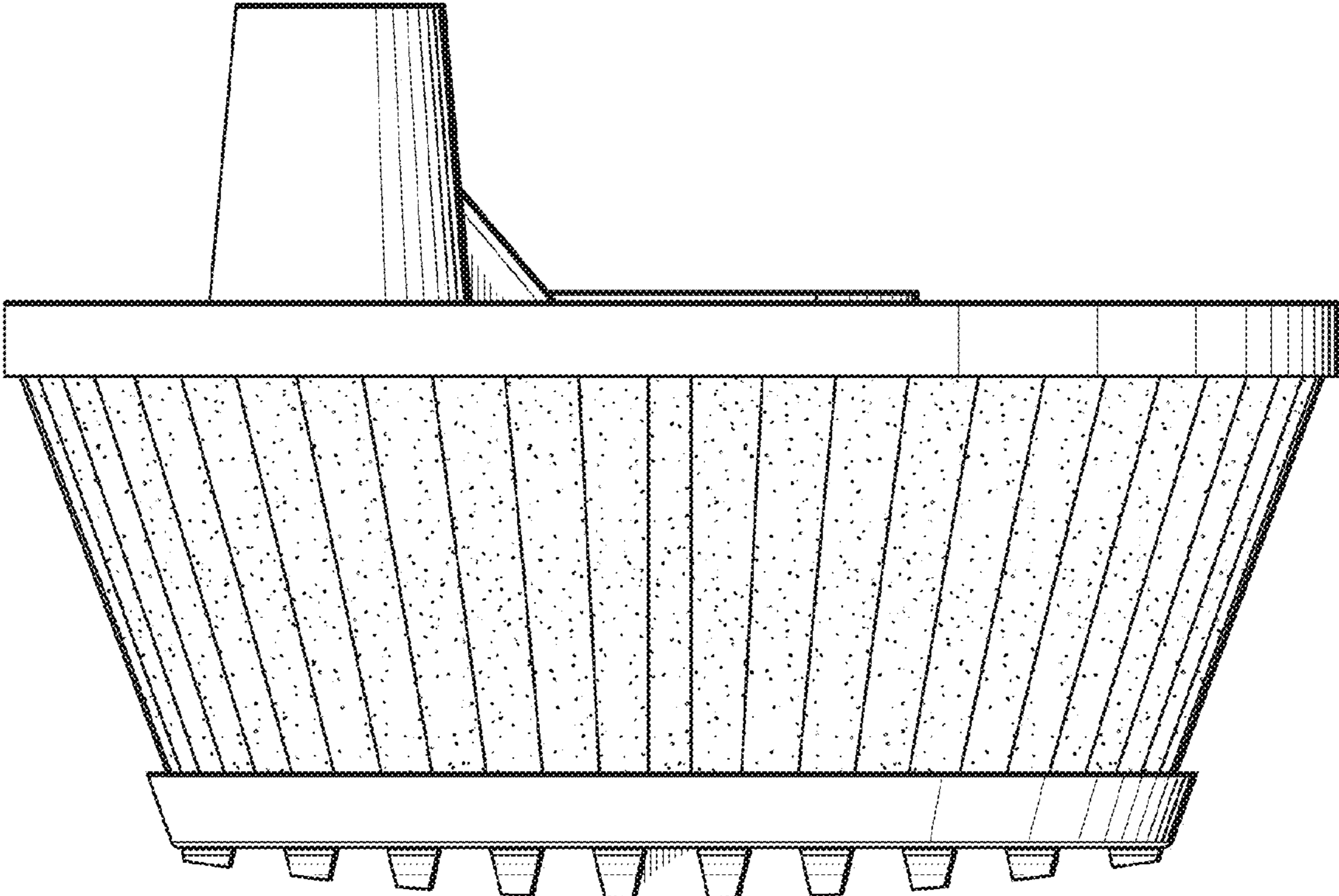


FIG. 5

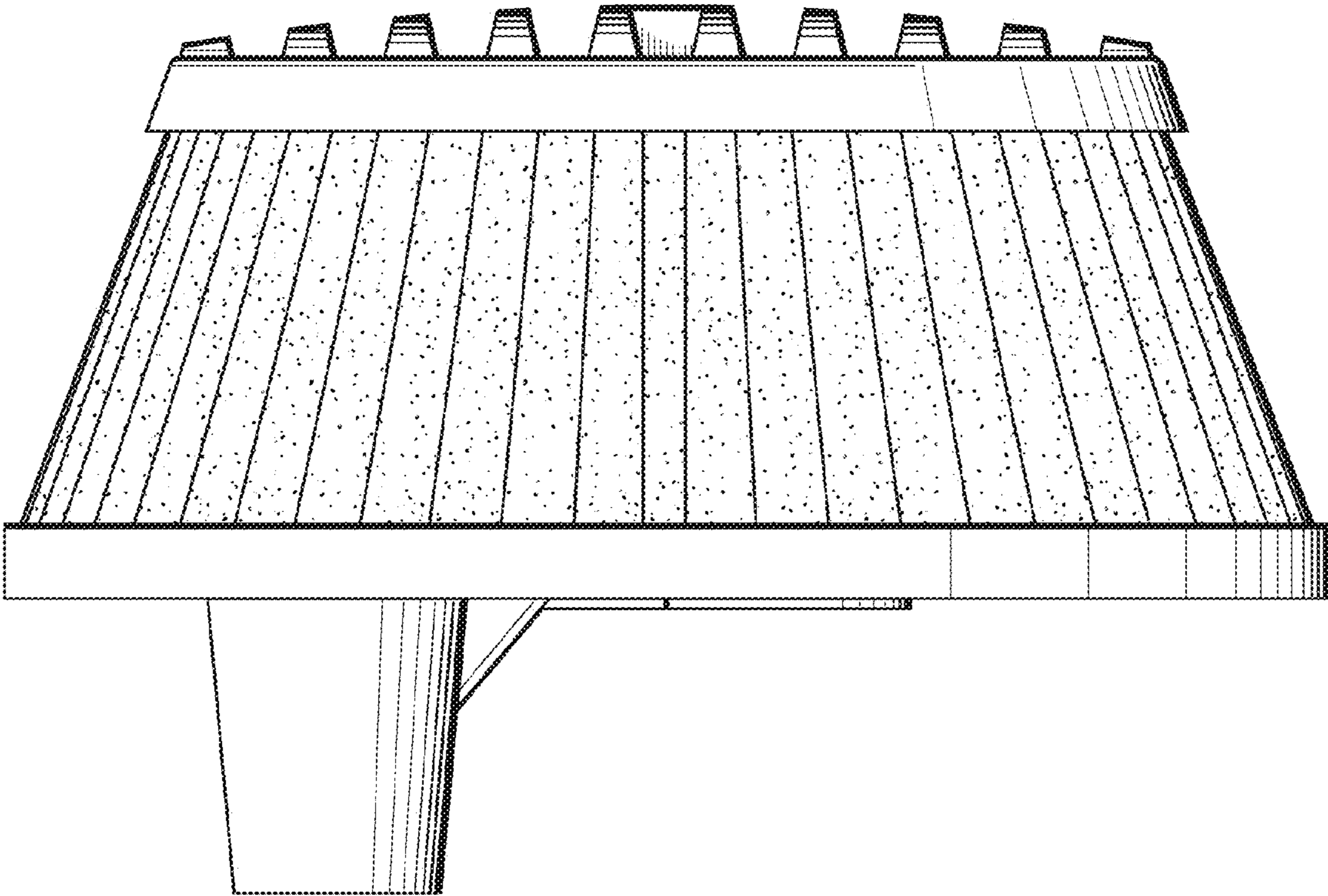


FIG. 4

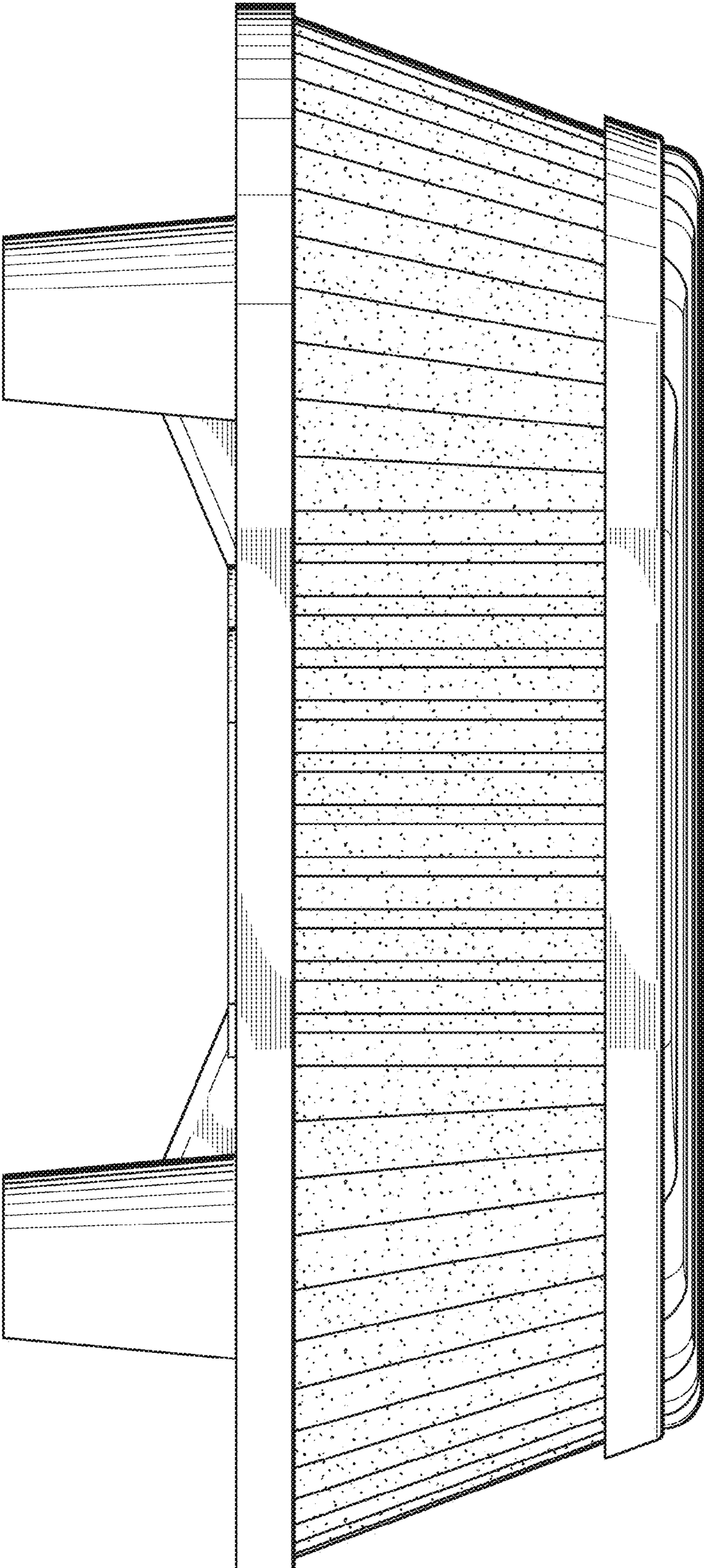


FIG. 6

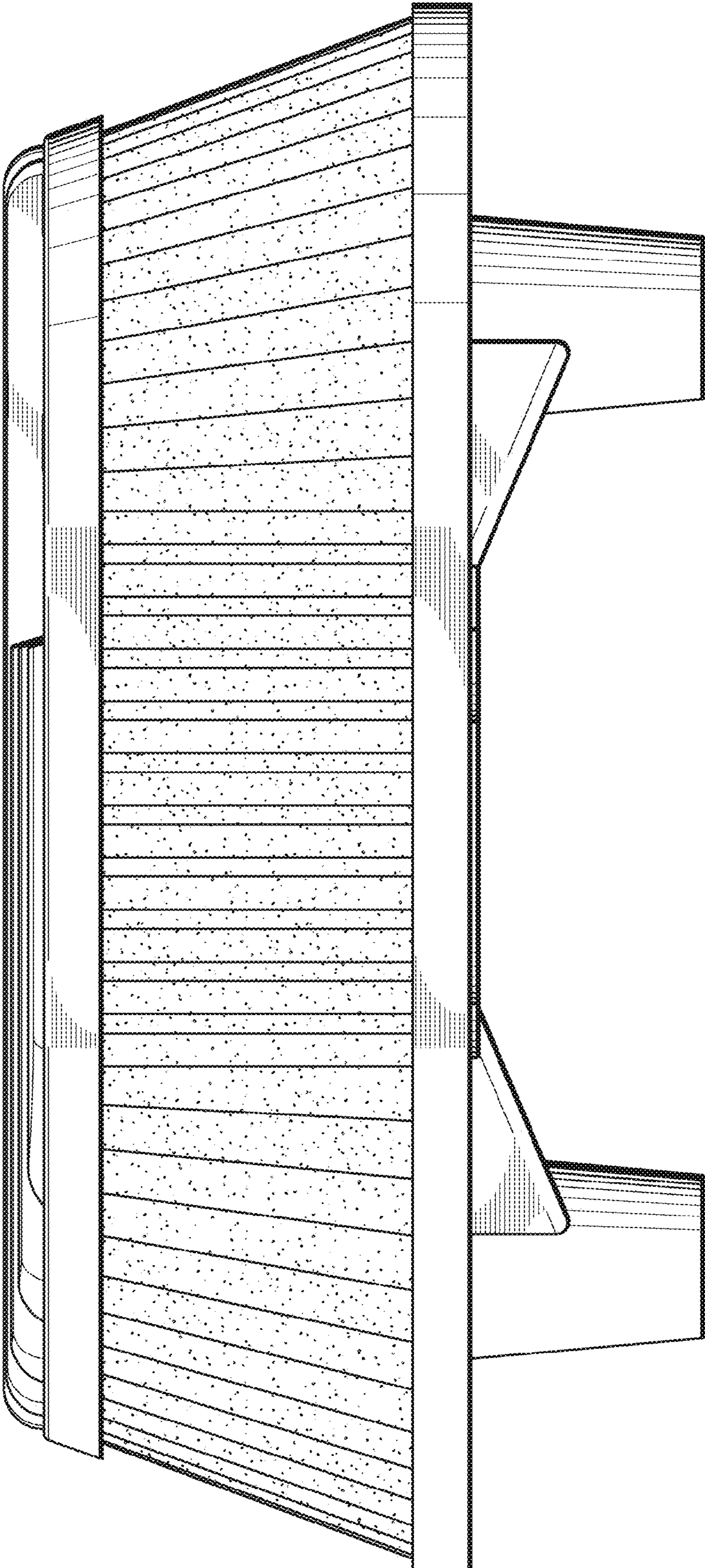


FIG. 7