



US00D902370S

(12) **United States Design Patent**  
**Wall et al.**

(10) **Patent No.:** **US D902,370 S**

(45) **Date of Patent:** **\*\* Nov. 17, 2020**

- (54) **INVERTED DOME FILTER**
- (71) Applicant: **K&N Engineering, Inc.**, Riverside, CA (US)
- (72) Inventors: **Jere James Wall**, Helendale, CA (US); **Steve Williams**, Cherry Valley, CA (US)
- (73) Assignee: **K&N Engineering, Inc.**, Riverside, CA (US)

7,404,838 B1 \* 7/2008 Pathak ..... B01D 46/2411  
210/232  
7,645,329 B2 \* 1/2010 Niakan ..... B01D 53/0415  
96/134  
D652,496 S \* 1/2012 Greenlees ..... D23/365  
D793,544 S \* 8/2017 Ramirez ..... D23/365  
2006/0026935 A1 \* 2/2006 Huang ..... B01D 46/0046  
55/337

(Continued)

(\*\*) Term: **15 Years**

*Primary Examiner* — David G Muller  
(74) *Attorney, Agent, or Firm* — Rutan & Tucker LLP;  
Hani Z. Sayed

- (21) Appl. No.: **29/675,531**
- (22) Filed: **Jan. 3, 2019**
- (51) **LOC (12) Cl.** ..... **23-04**
- (52) **U.S. Cl.**  
USPC ..... **D23/365**
- (58) **Field of Classification Search**  
USPC ..... D23/355–366, 352, 369, 332, 333, 335,  
D23/336, 342, 351; 422/120, 122;  
55/356, 473, 504; 96/97; 261/DIG. 17,  
261/DIG. 65, DIG. 88, DIG. 31  
CPC ..... B01D 2201/02; B01D 46/0021; B01D  
46/0024; B01D 46/521; B01D 46/522;  
B01D 46/523; B01D 46/525; B01D  
46/526; B01D 46/527  
See application file for complete search history.

(57) **CLAIM**

The ornamental design for an inverted dome filter, as shown and described.

**DESCRIPTION**

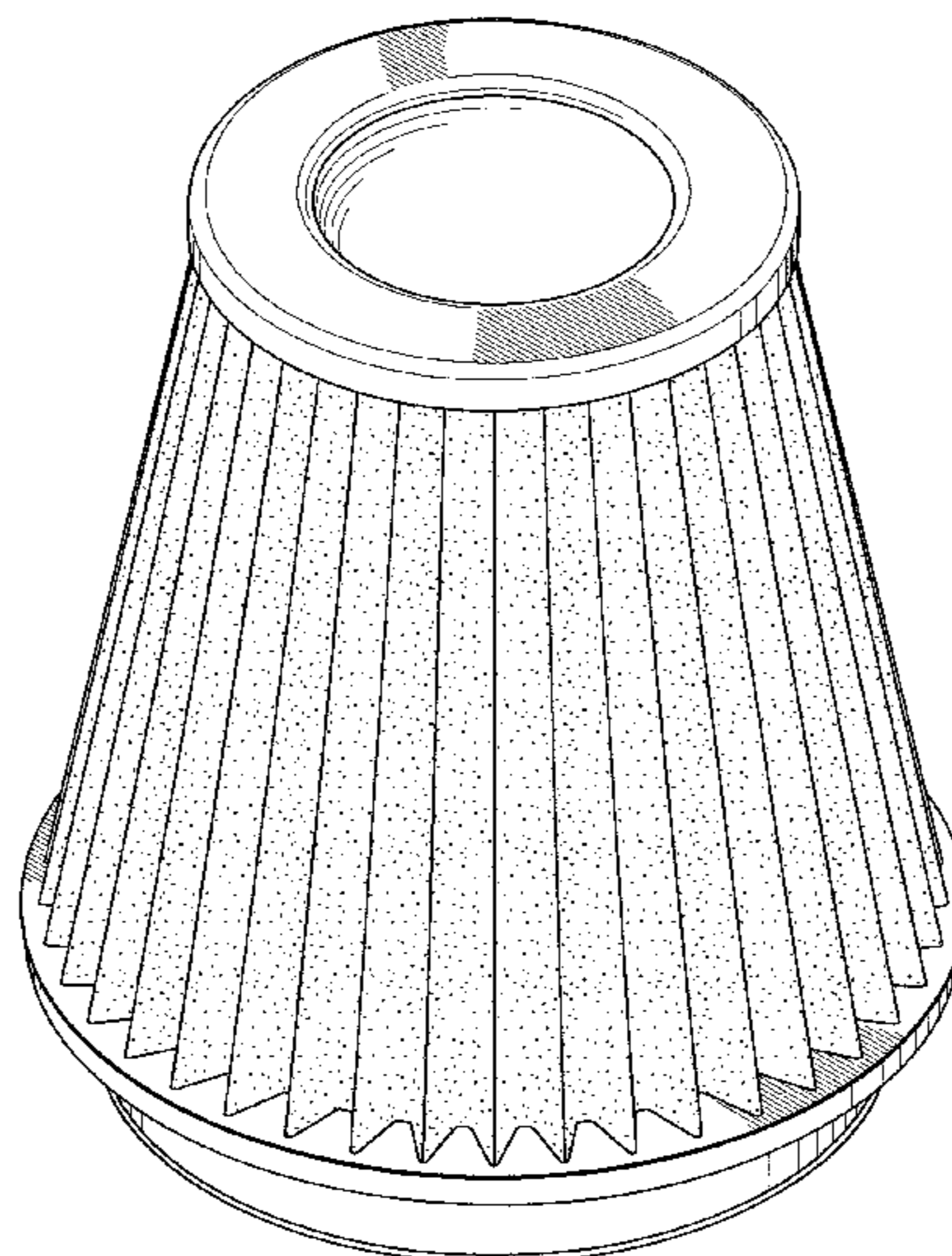
FIG. 1—Top, front, right side perspective view;  
FIG. 2—Bottom, rear, left side perspective view;  
FIG. 3—Cross-sectional, front elevation view, the rear, left and right side elevation views being identical, as the device is rotationally symmetric;  
FIG. 4—Top plan view;  
FIG. 5—Bottom plan view;  
FIG. 6—Top, front, right side perspective view of an alternate embodiment (FIGS. 6-10);  
FIG. 7—Top, rear, left side perspective view;  
FIG. 8—Bottom, front elevation view, the rear, left and right side elevation views being identical, as the device is rotationally symmetric;  
FIG. 9—Cross-sectional, back elevation view, the rear, left and right side elevation views being identical, as the device is rotationally symmetric;  
FIG. 10—Top plan view;  
FIG. 11—Bottom plan view; and,  
FIG. 12—Top, front, right side perspective view of an alternate embodiment.

(56) **References Cited**

**U.S. PATENT DOCUMENTS**

D342,990 S \* 1/1994 Jaroszczyk ..... D23/365  
5,549,724 A \* 8/1996 Mochida ..... B01D 46/0021  
55/336  
5,685,887 A \* 11/1997 Mochida ..... B01D 46/0049  
55/336  
D401,684 S \* 11/1998 Shelton ..... D23/365  
D419,215 S \* 1/2000 Kim ..... D23/209  
6,258,144 B1 \* 7/2001 Huang ..... B01D 46/24  
55/385.3  
D541,373 S \* 4/2007 Storckman ..... D23/209

**1 Claim, 10 Drawing Sheets**



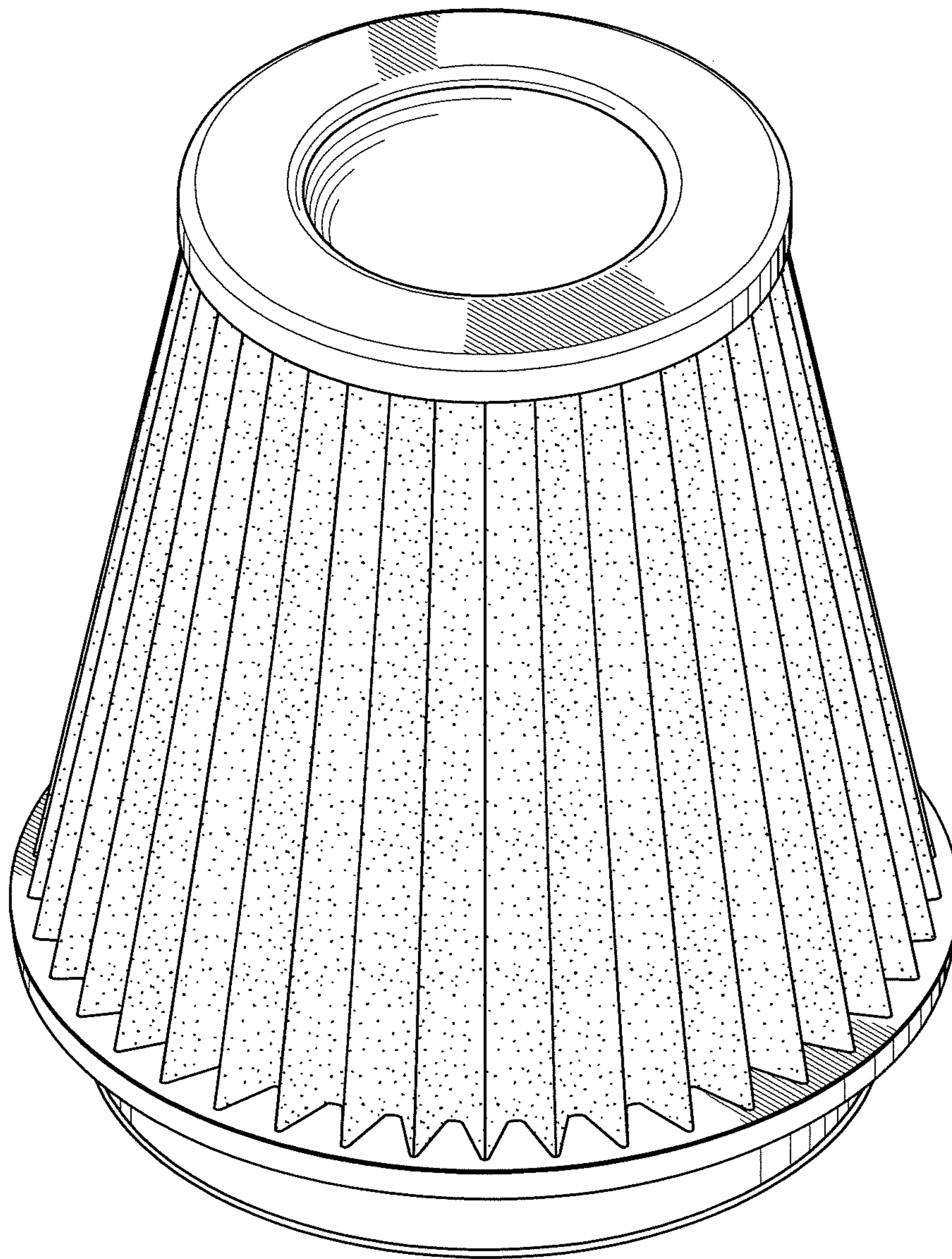
(56)

**References Cited**

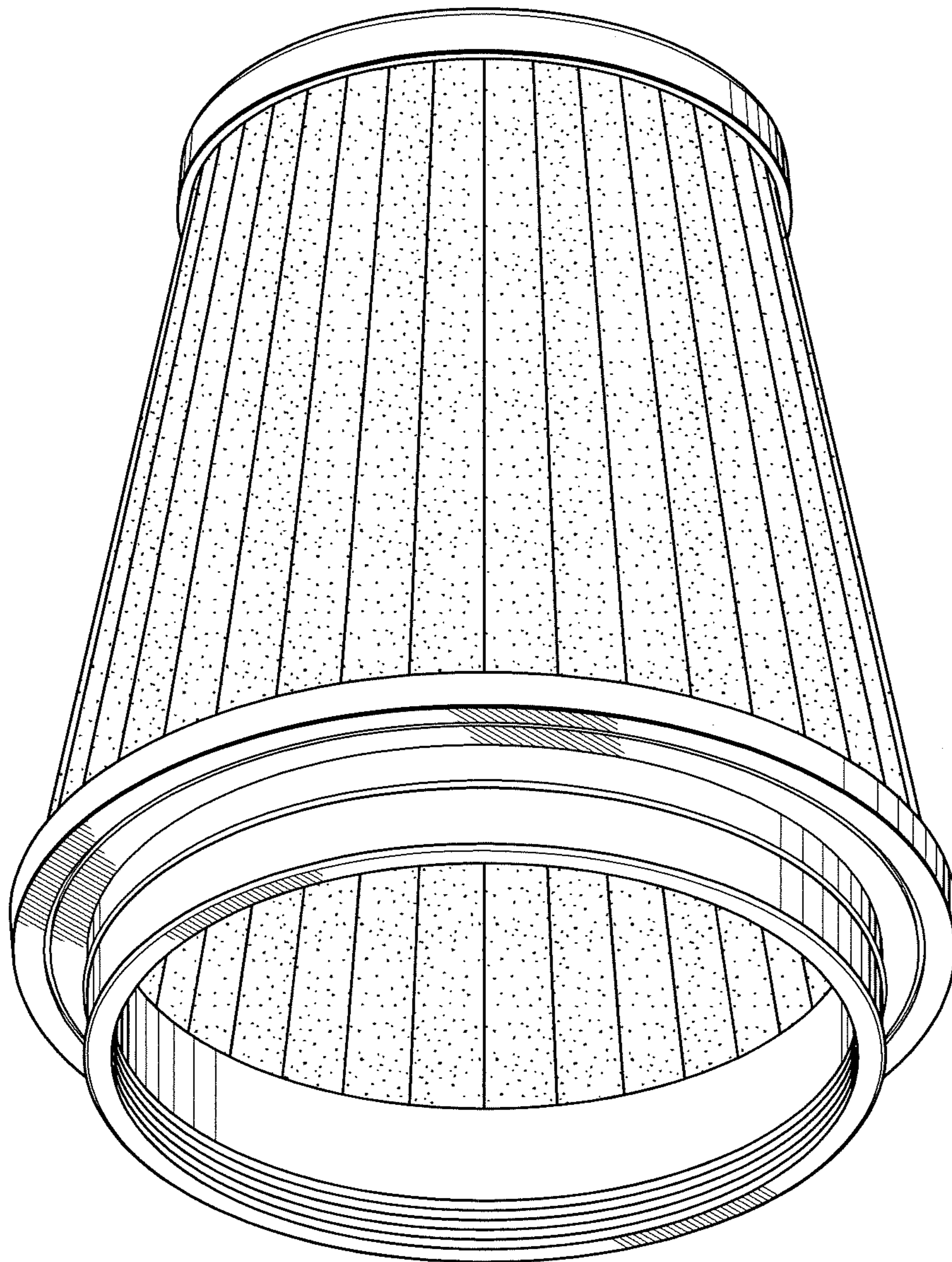
U.S. PATENT DOCUMENTS

2006/0260469 A1\* 11/2006 Miyagishima ... F02M 35/02483  
95/273  
2018/0036666 A1\* 2/2018 Williams ..... B01D 46/0001  
2018/0085695 A1\* 3/2018 Wall ..... B01D 46/2411

\* cited by examiner



*FIG. 1*



*FIG. 2*

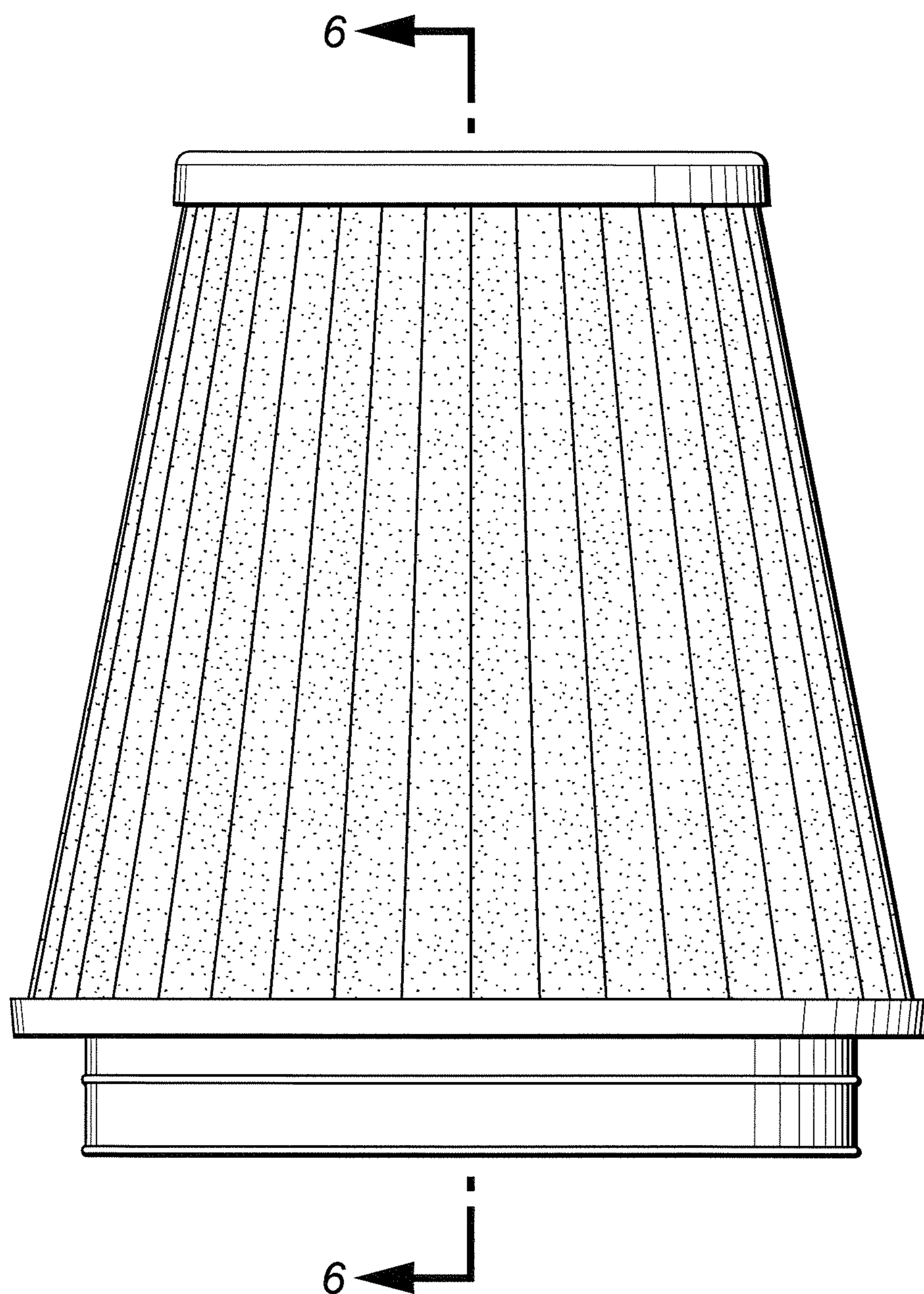


FIG. 3

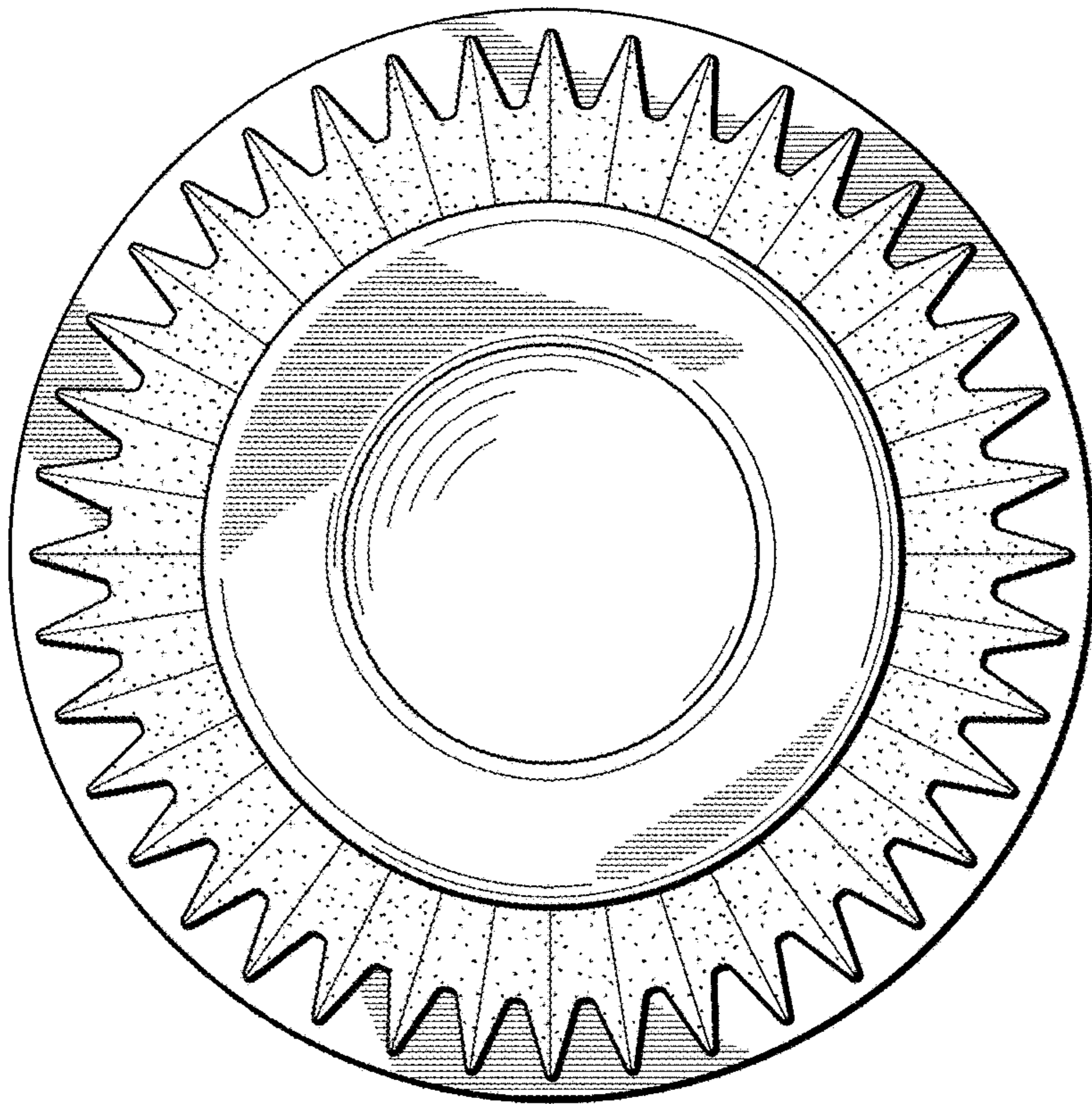


FIG. 4

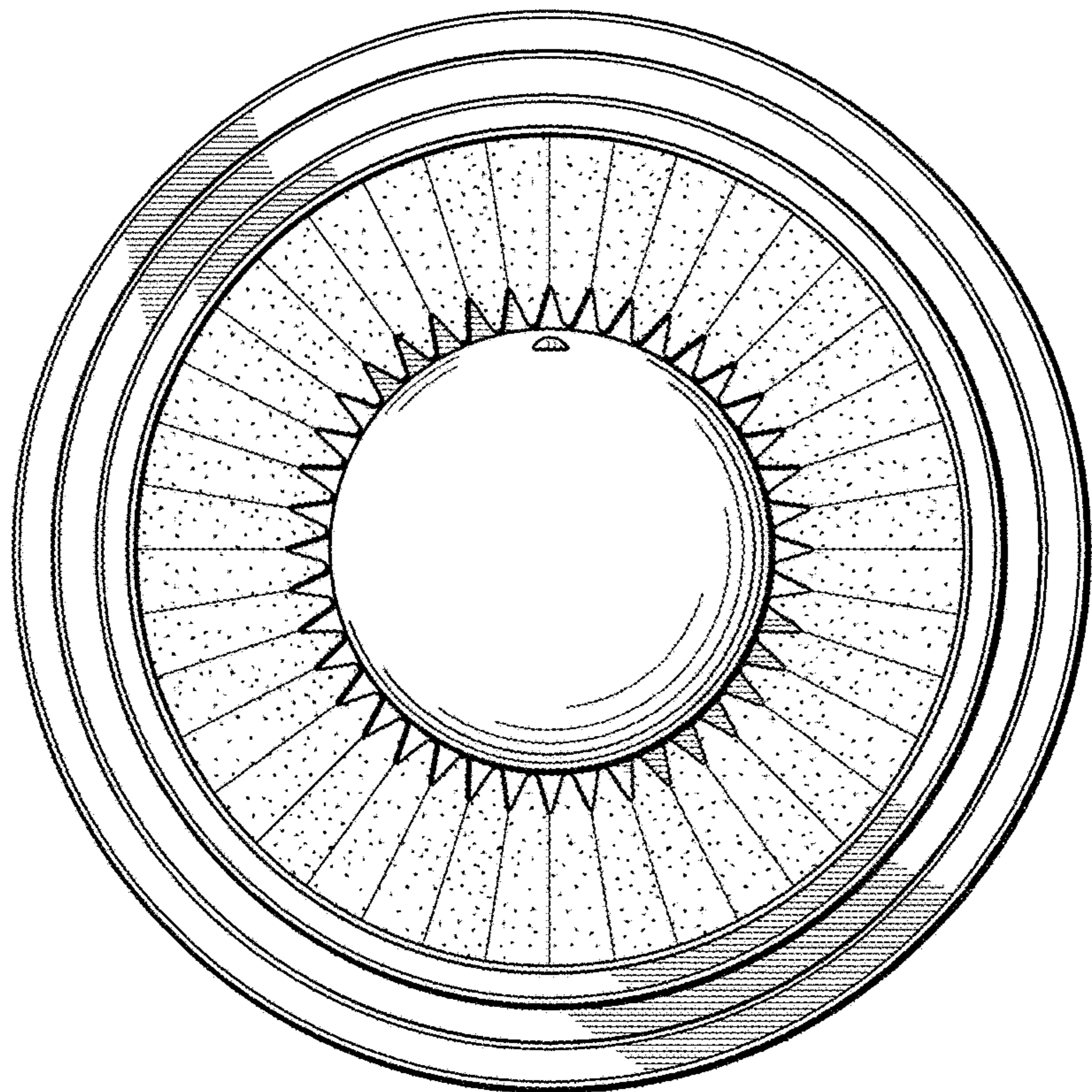


FIG. 5

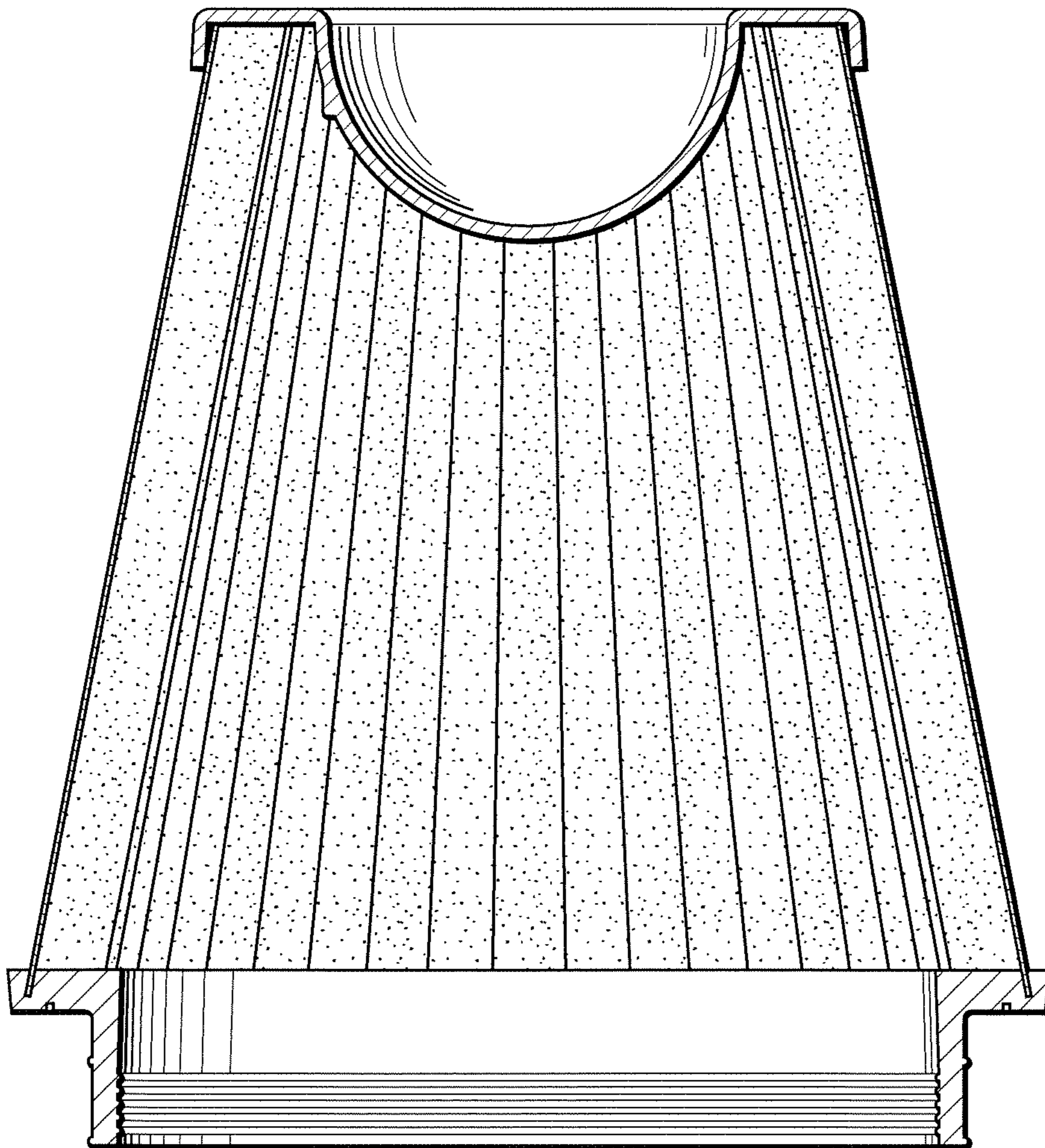
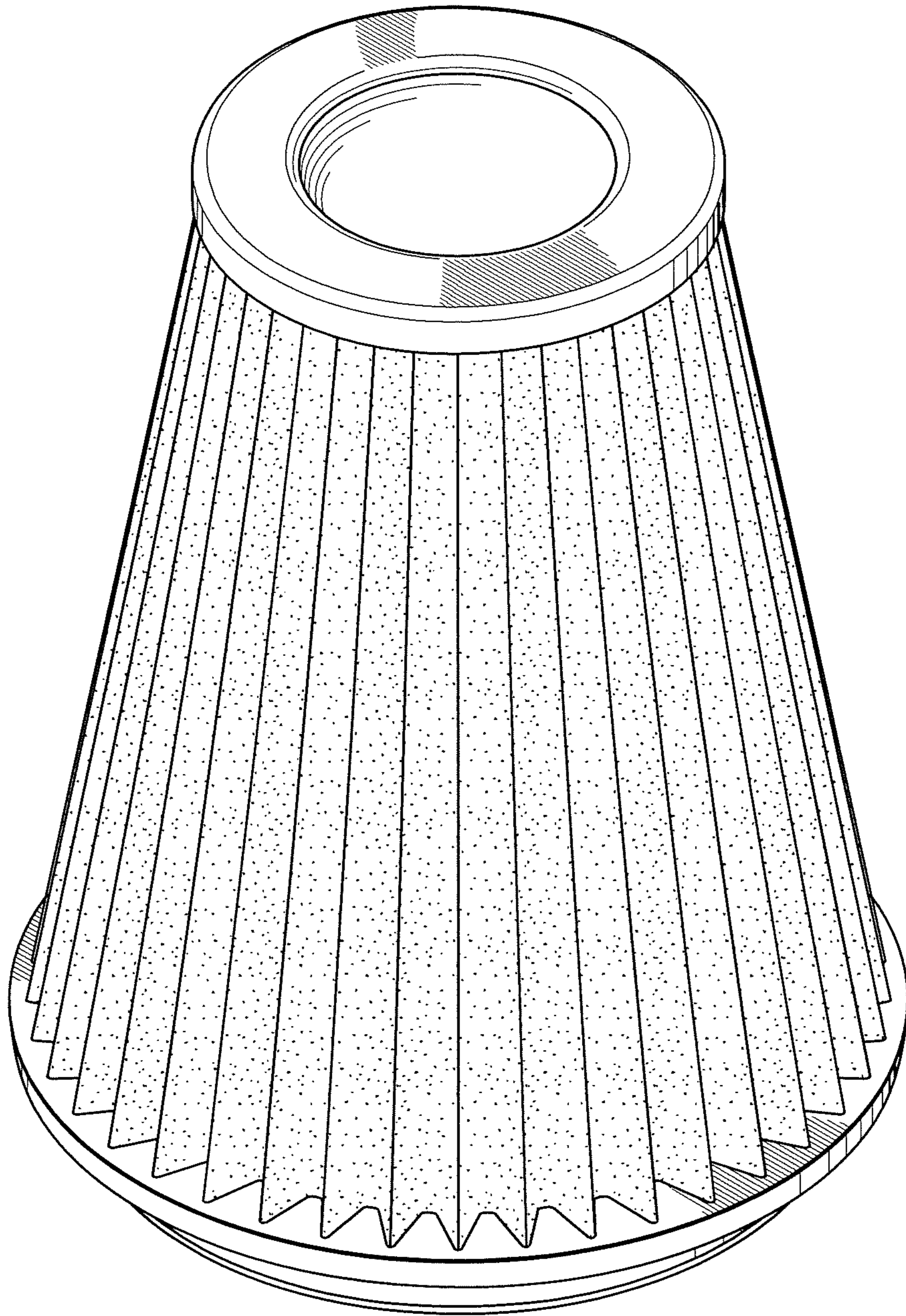
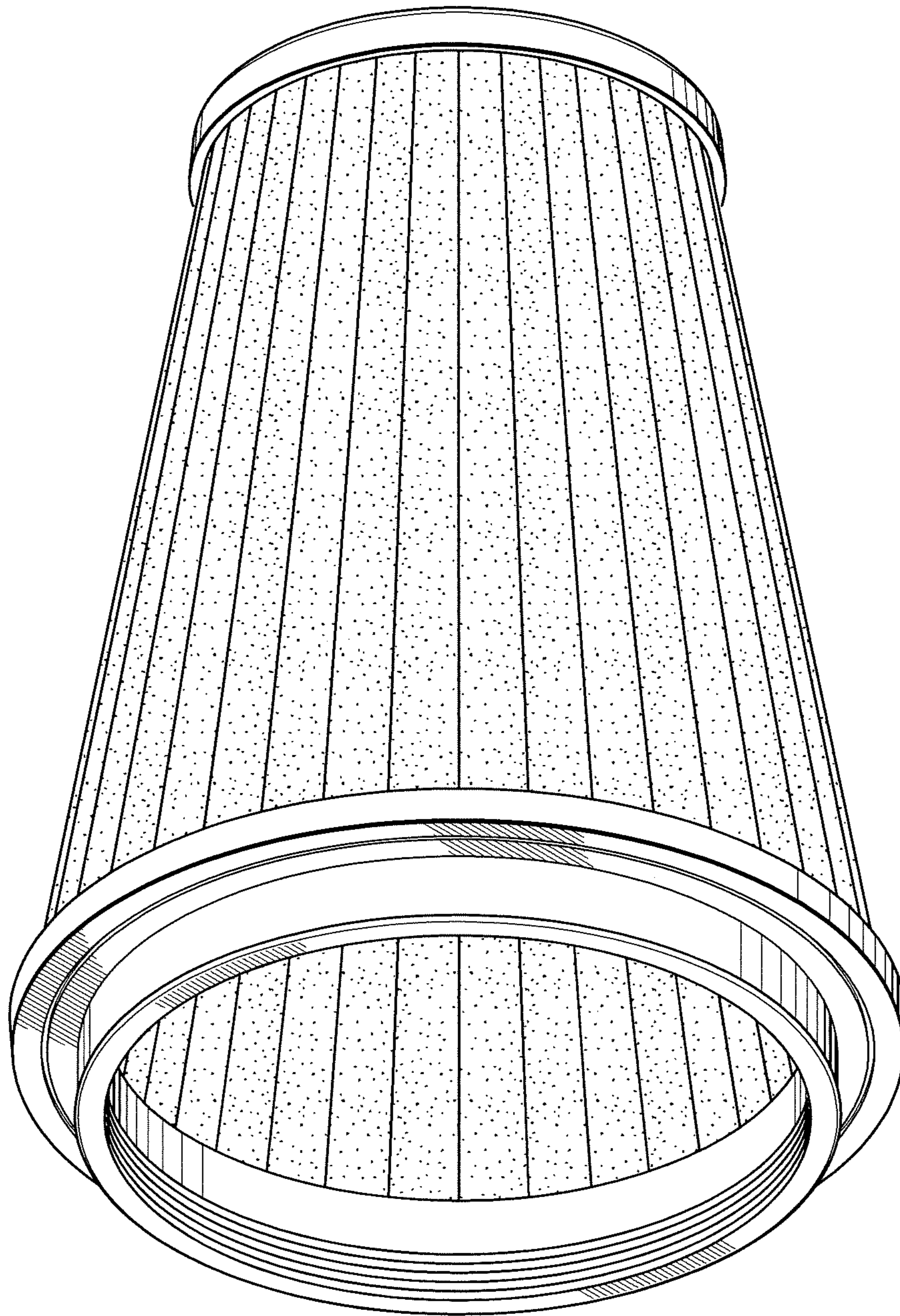


FIG. 6



*FIG. 7*





*FIG. 8*

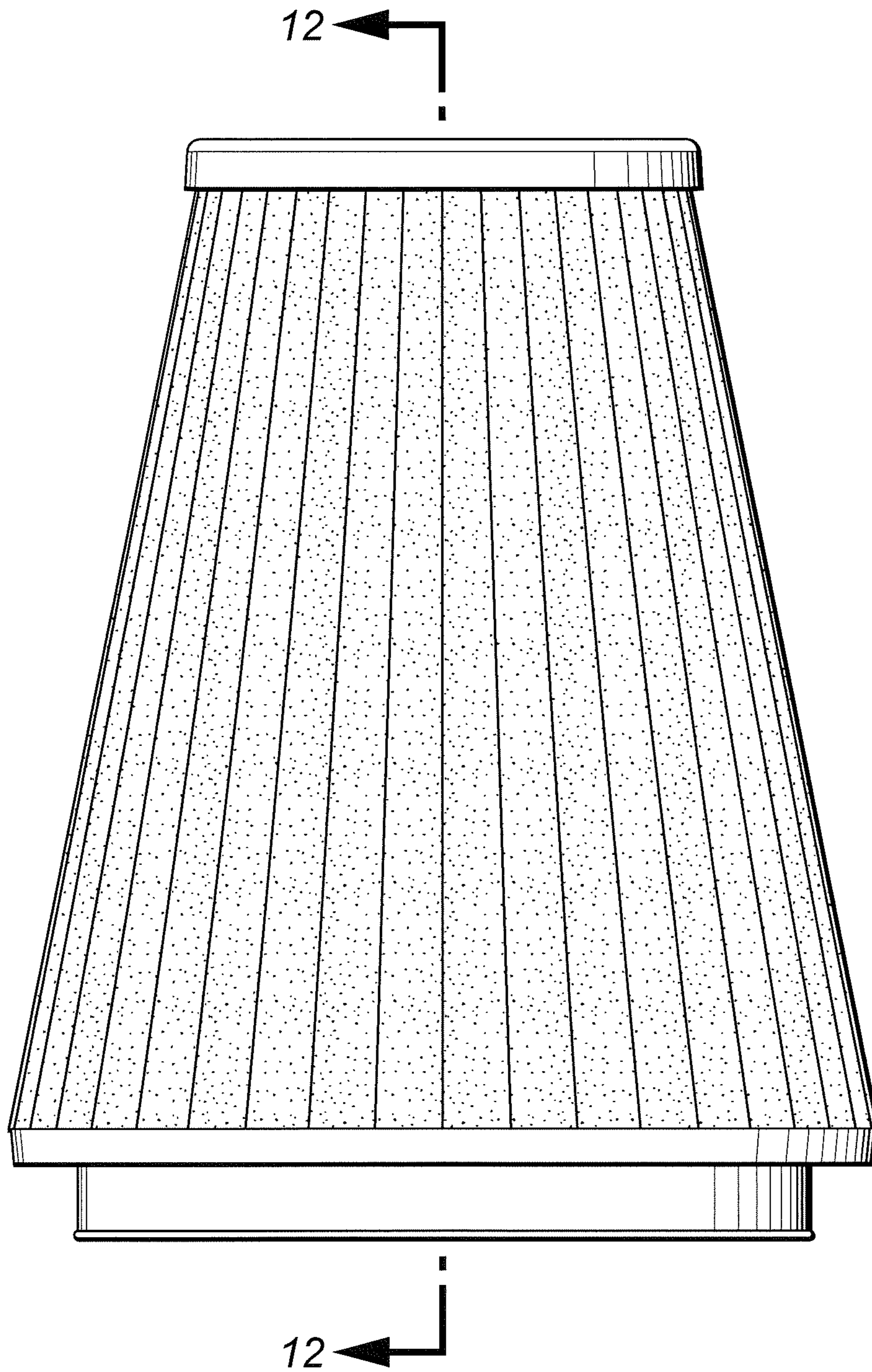


FIG. 9

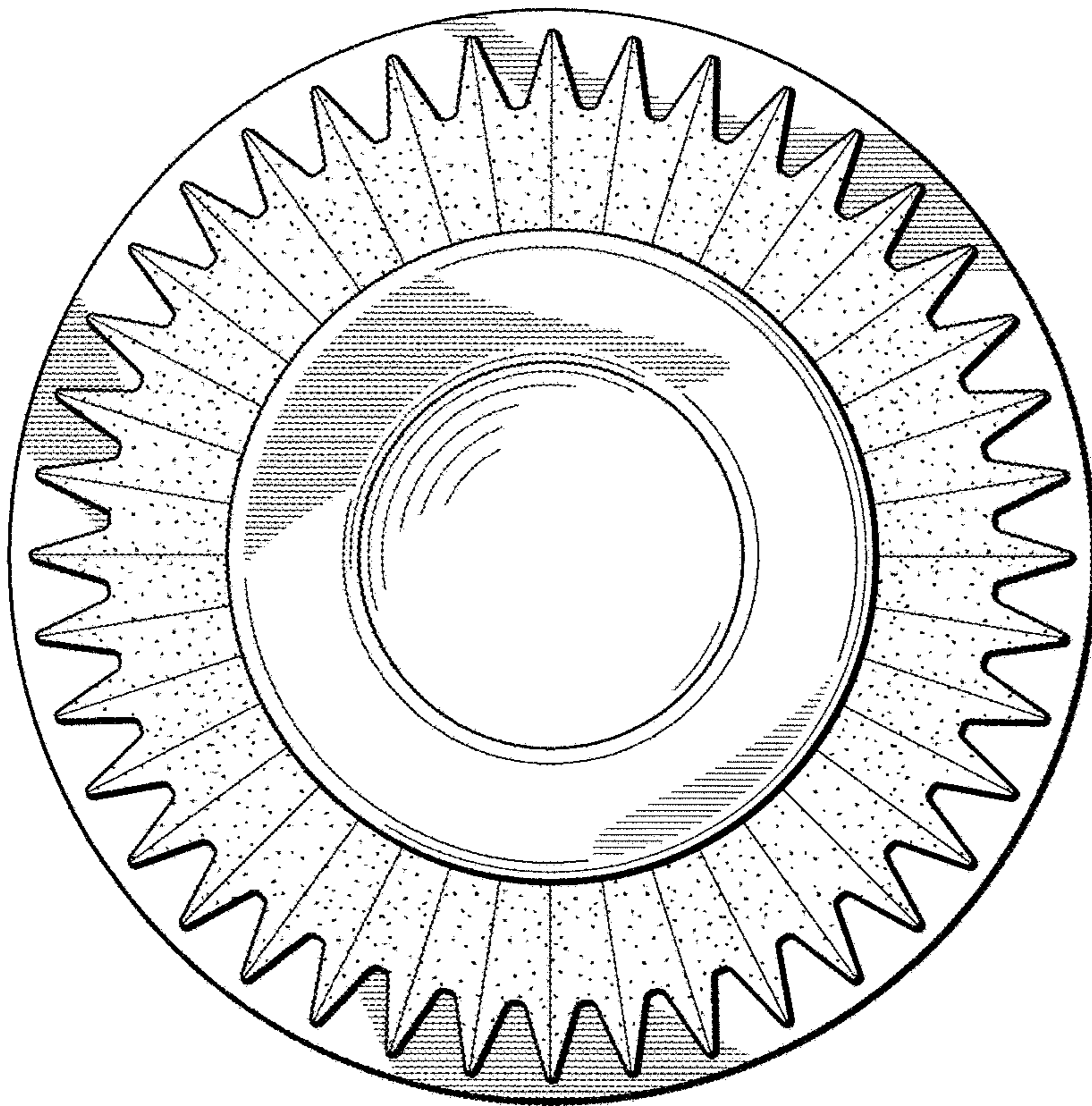


FIG. 10

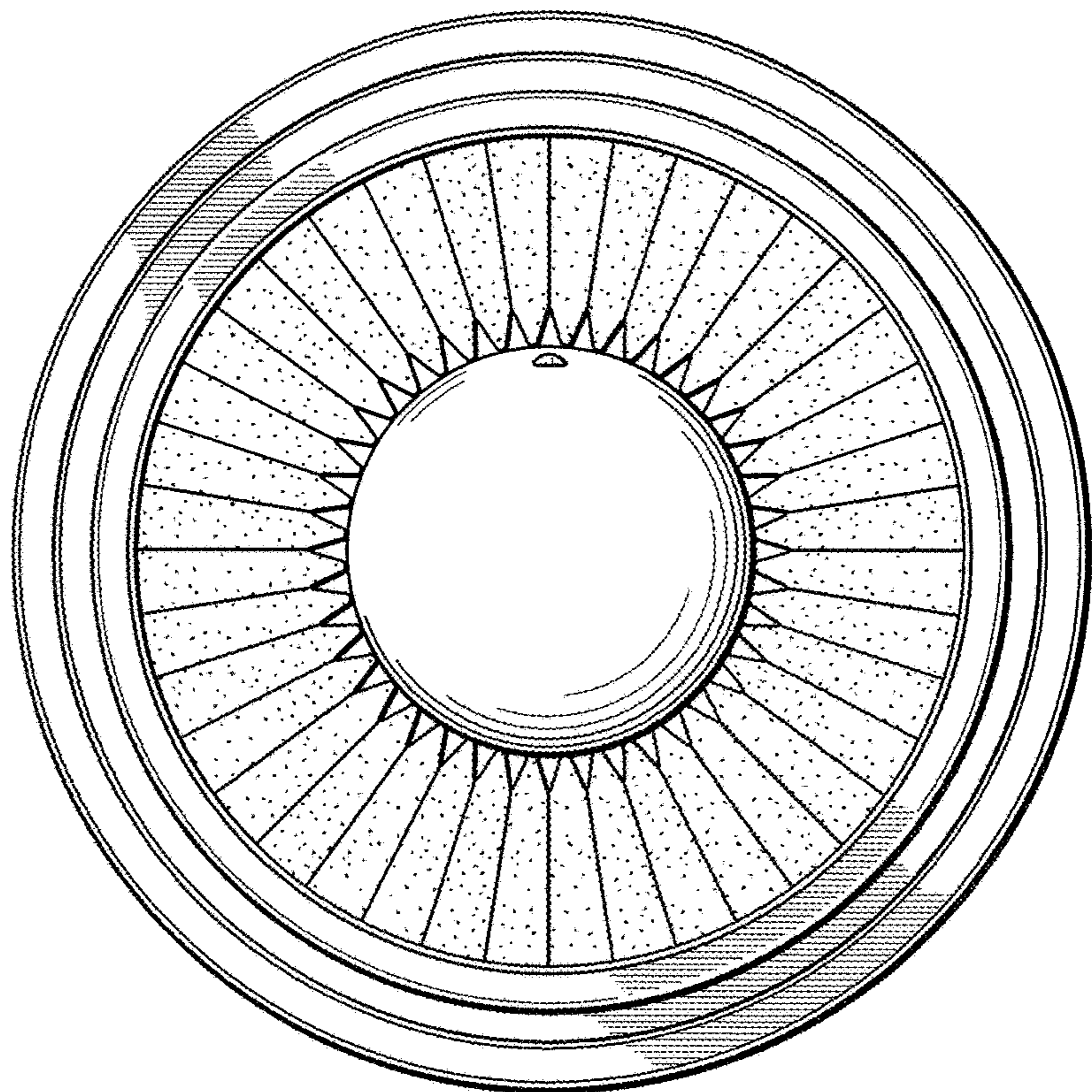


FIG. 11

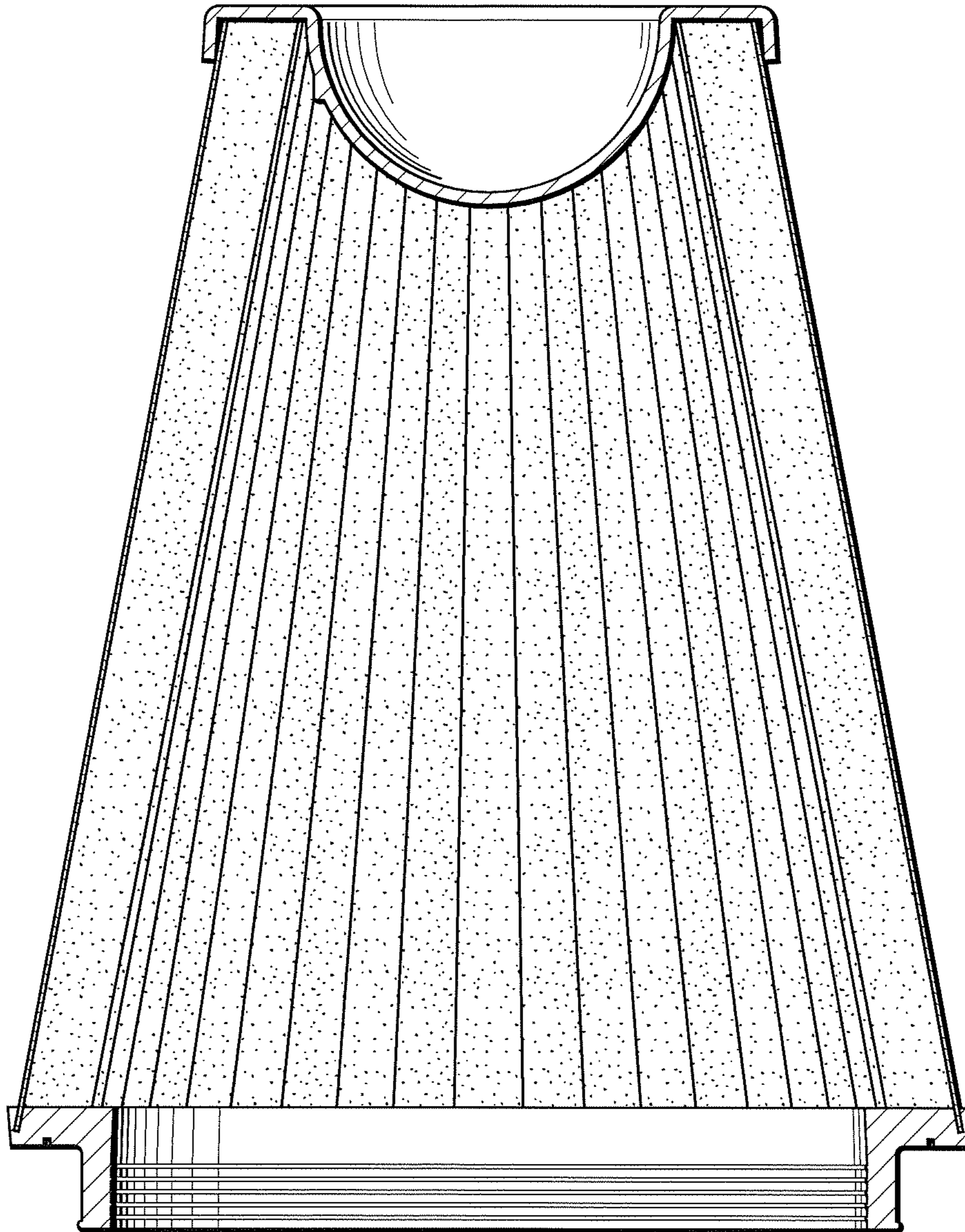


FIG. 12