



US00D902369S

(12) **United States Design Patent**
Wall et al.

(10) **Patent No.:** **US D902,369 S**

(45) **Date of Patent:** **** Nov. 17, 2020**

(54) **AIR INTAKE KIT FILTER**

(71) Applicant: **K&N Engineering, Inc.**, Riverside, CA (US)

(72) Inventors: **Jere James Wall**, Helendale, CA (US); **Jonathan Richard Fiello**, Yucaipa, CA (US); **Steve Williams**, Cherry Valley, CA (US)

(73) Assignee: **K&N Engineering, Inc.**, Riverside, CA (US)

(**) Term: **15 Years**

(21) Appl. No.: **29/675,146**

(22) Filed: **Dec. 28, 2018**

(51) **LOC (12) Cl.** **23-04**

(52) **U.S. Cl.**
USPC **D23/365**

(58) **Field of Classification Search**
USPC D23/209, 358, 355, 364, 365, 386–393
CPC F24F 13/0218; F24F 13/06; F24F 13/062;
F24F 2013/0608; F24F 2221/14; B64D
33/02; B64D 2033/0246; F02C 7/05
See application file for complete search history.

(56) **References Cited**

U.S. PATENT DOCUMENTS

D628,126 S * 11/2010 Tai D12/106
D629,094 S * 12/2010 Thomas D23/387

D679,796 S * 4/2013 Thomas D23/387
D754,314 S * 4/2016 Ellis D23/364
D820,969 S * 6/2018 Atwell B60H 1/00364
D23/387

D835,767 S * 12/2018 Williams D23/365
2016/0221418 A1* 8/2016 Stover B60H 1/00364

* cited by examiner

Primary Examiner — Sheryl Lane

Assistant Examiner — Calvin E Vansant

(74) *Attorney, Agent, or Firm* — Rutan & Tucker LLP;
Hani Z. Sayed

(57) **CLAIM**

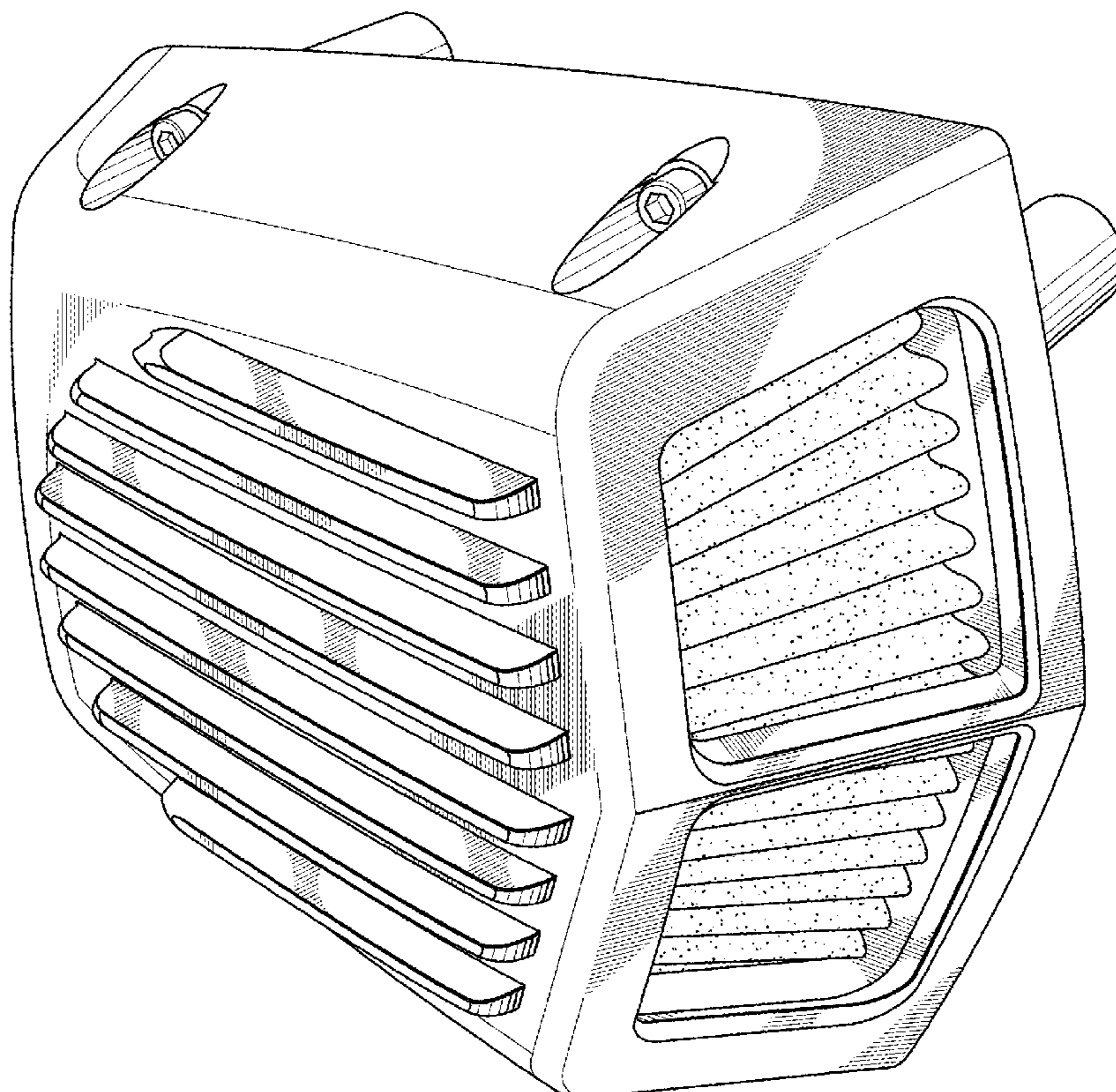
The ornamental design for an air intake kit filter, as shown and described.

DESCRIPTION

FIG. 1—Top, front, left side perspective view;
FIG. 2—Front elevation view;
FIG. 3—Rear elevation view;
FIG. 4—Left side elevation view;
FIG. 5—Right side elevation view;
FIG. 6—Top plan view; and,
FIG. 7—Bottom plan view.

The broken lines depict portions of the air intake kit filter that form no part of the claimed design.

1 Claim, 7 Drawing Sheets



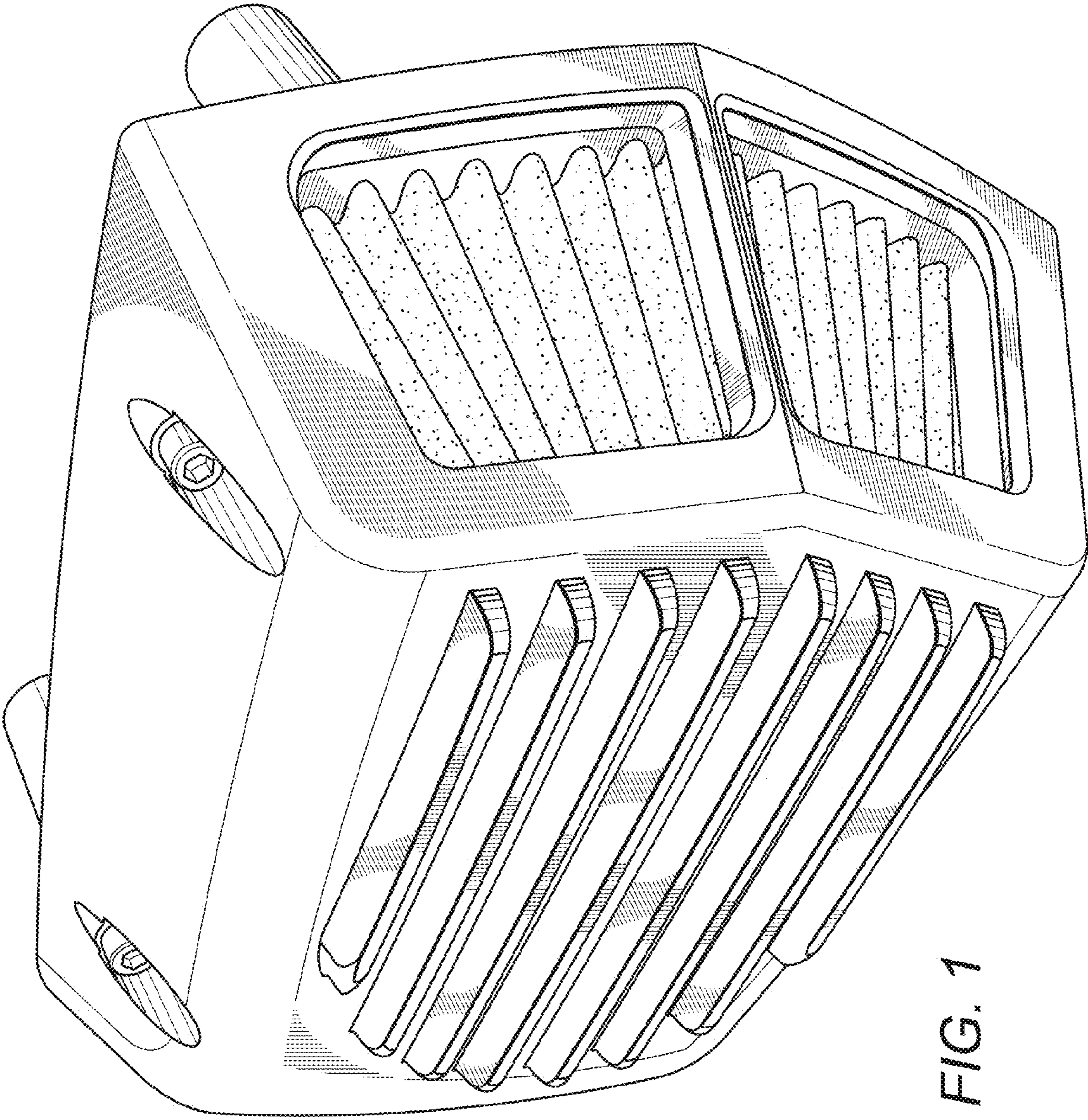


FIG. 1

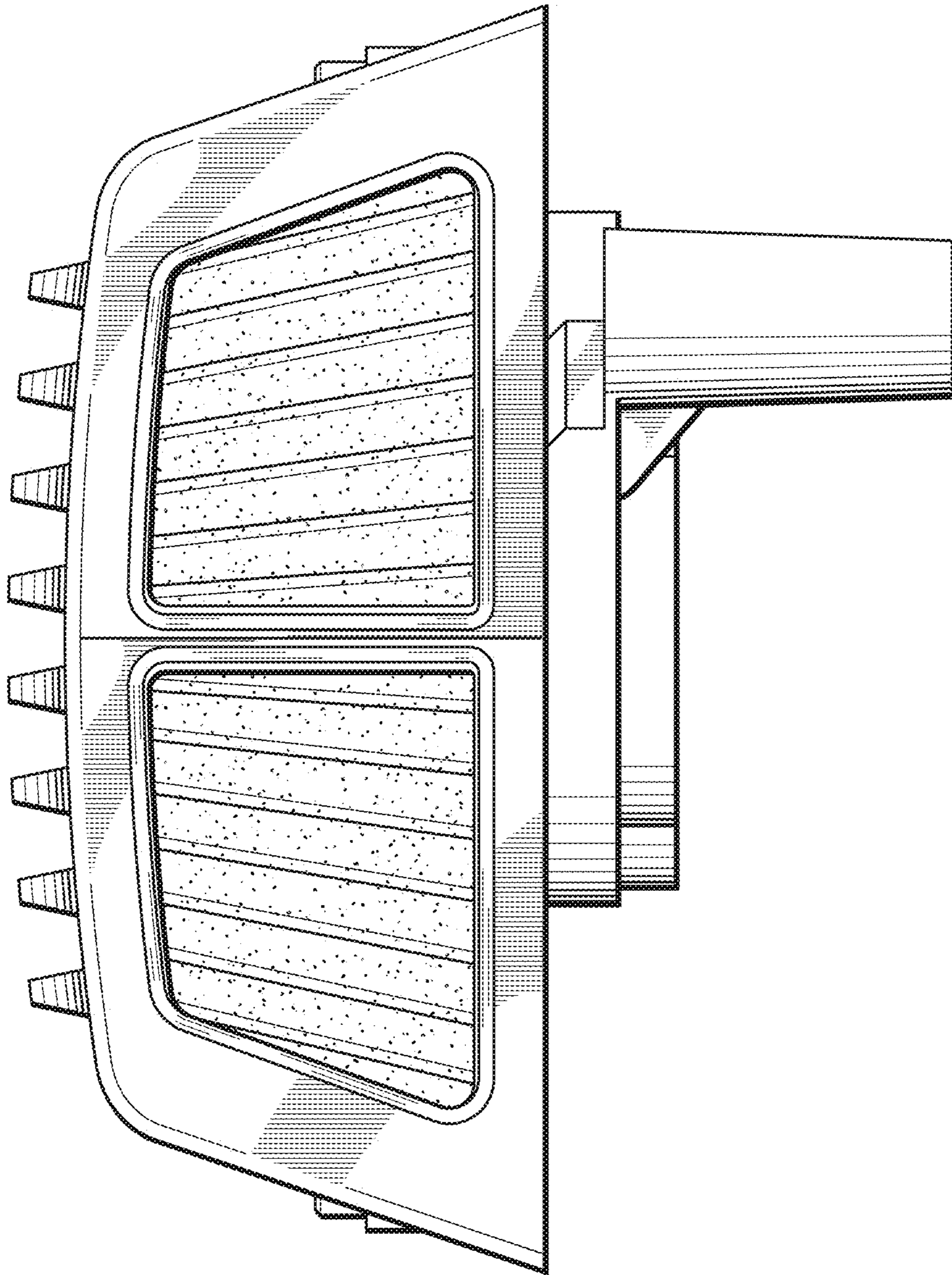


FIG. 2

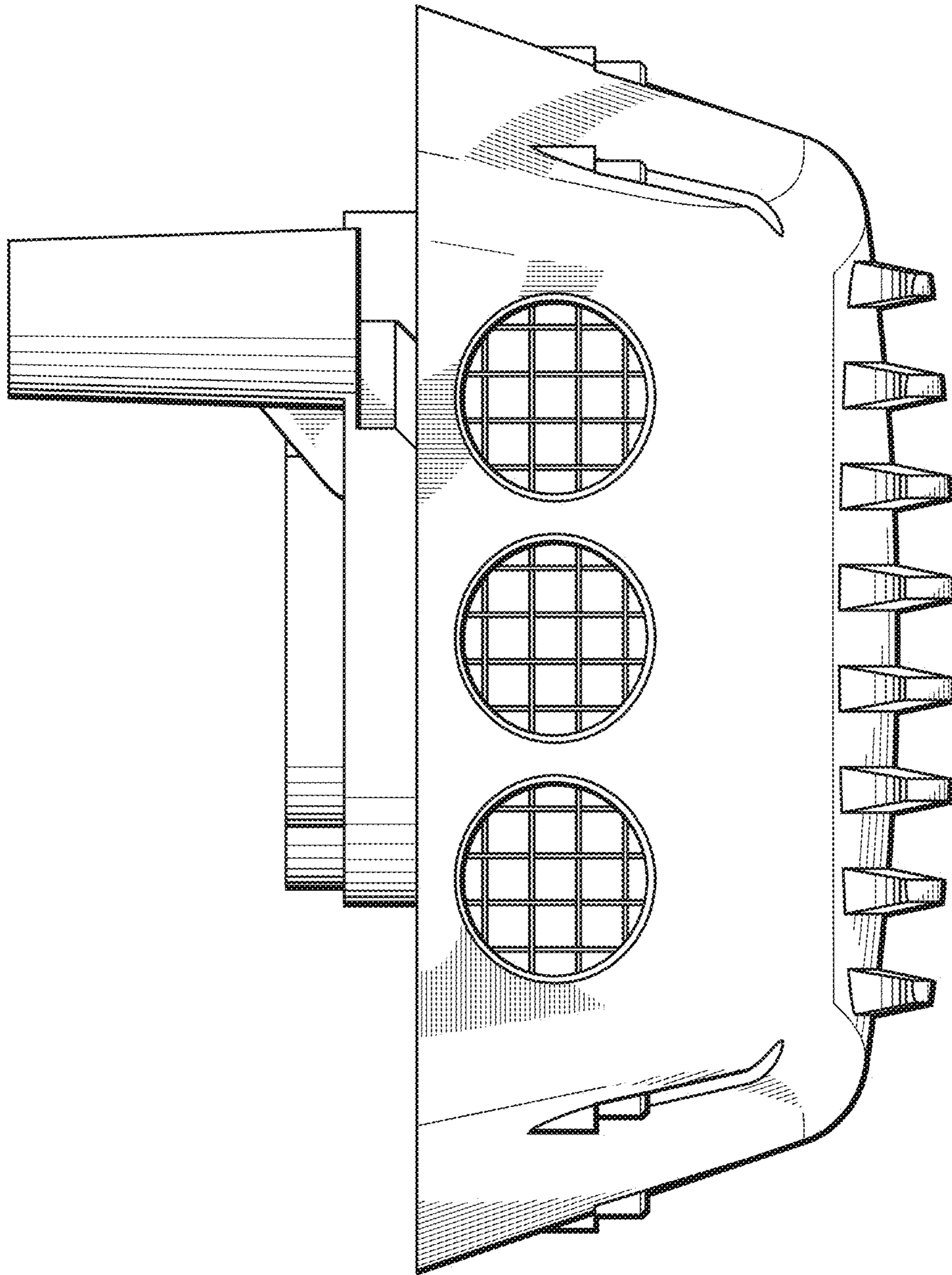
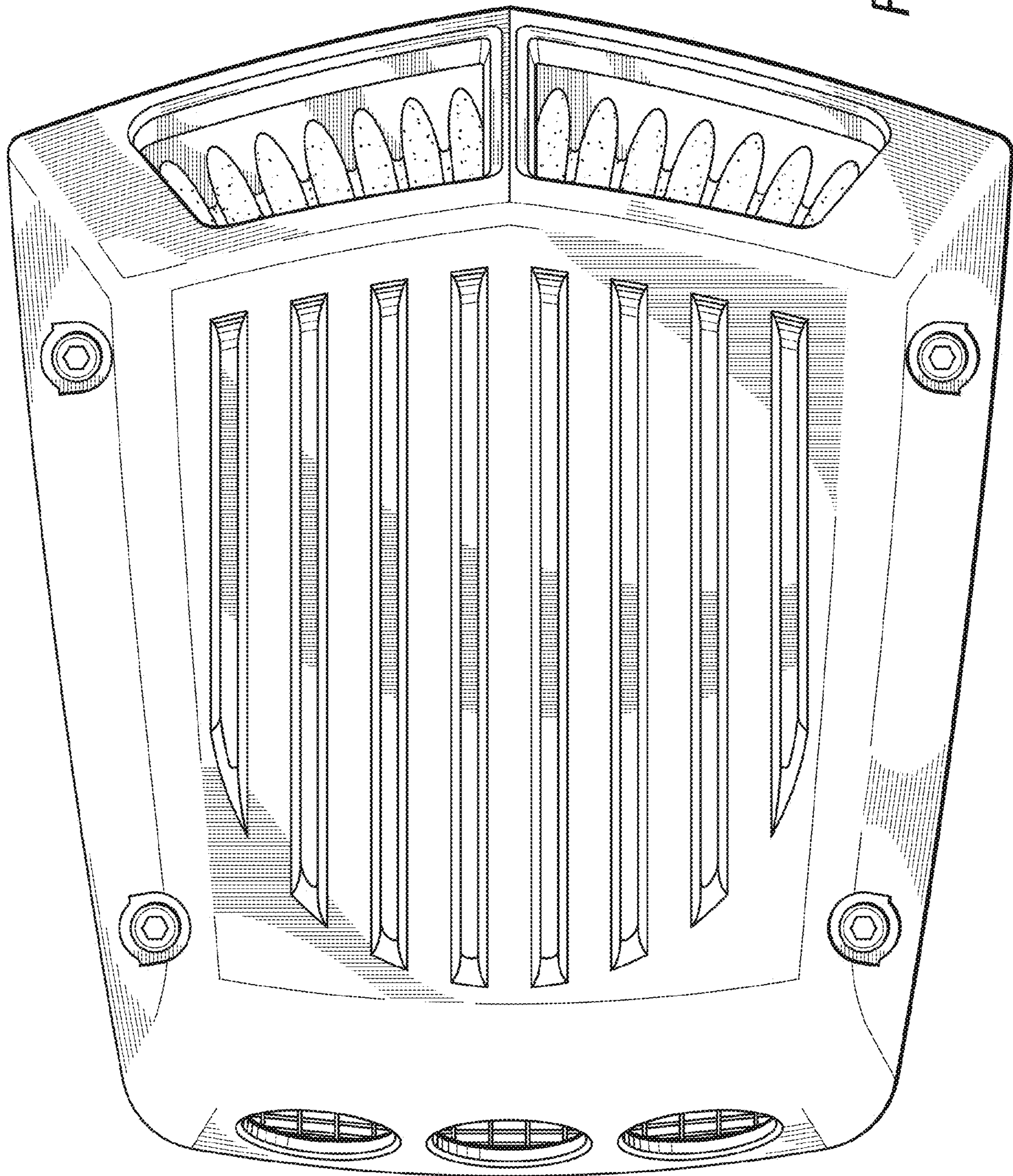


FIG. 3

FIG. 4



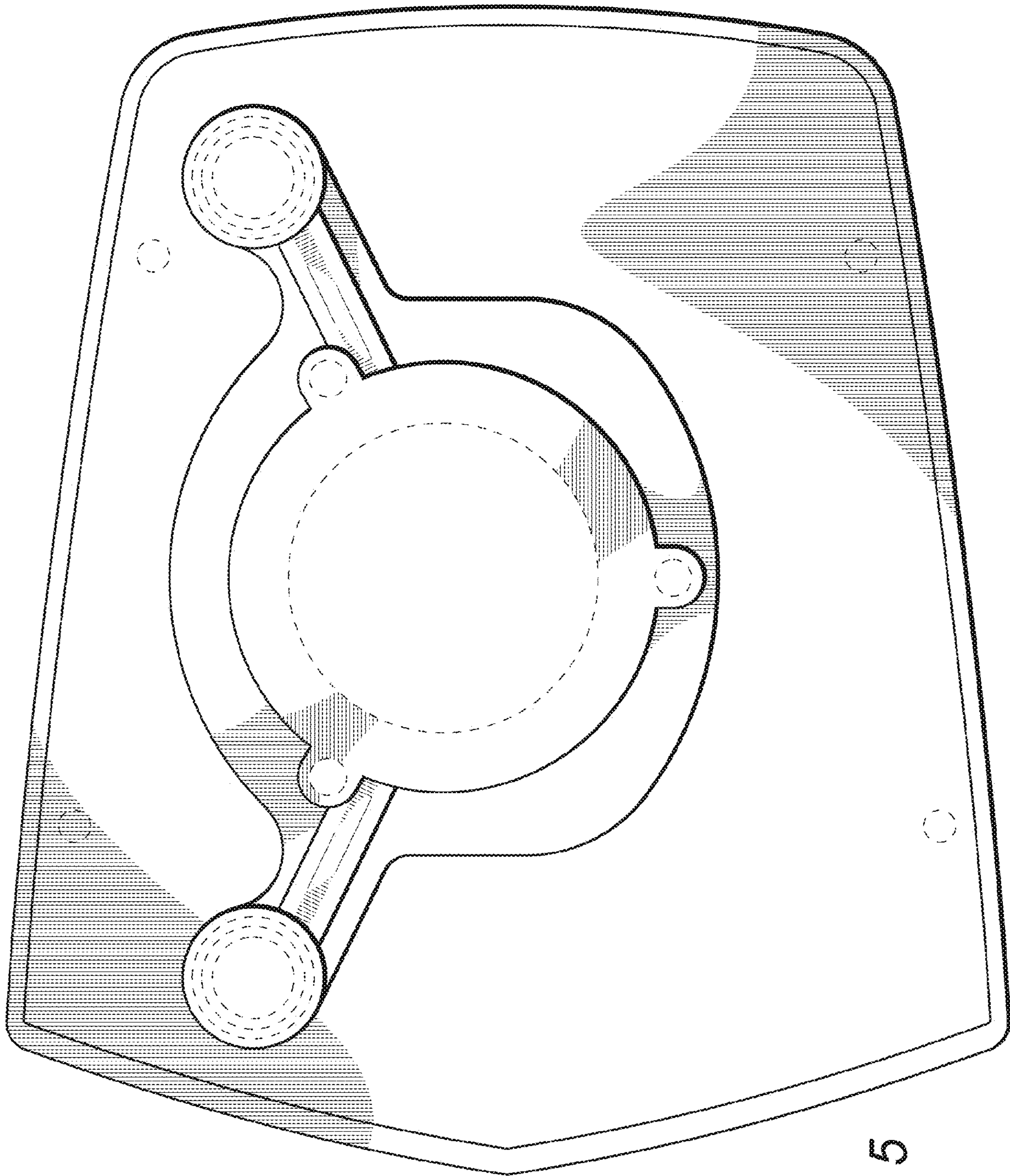


FIG. 5

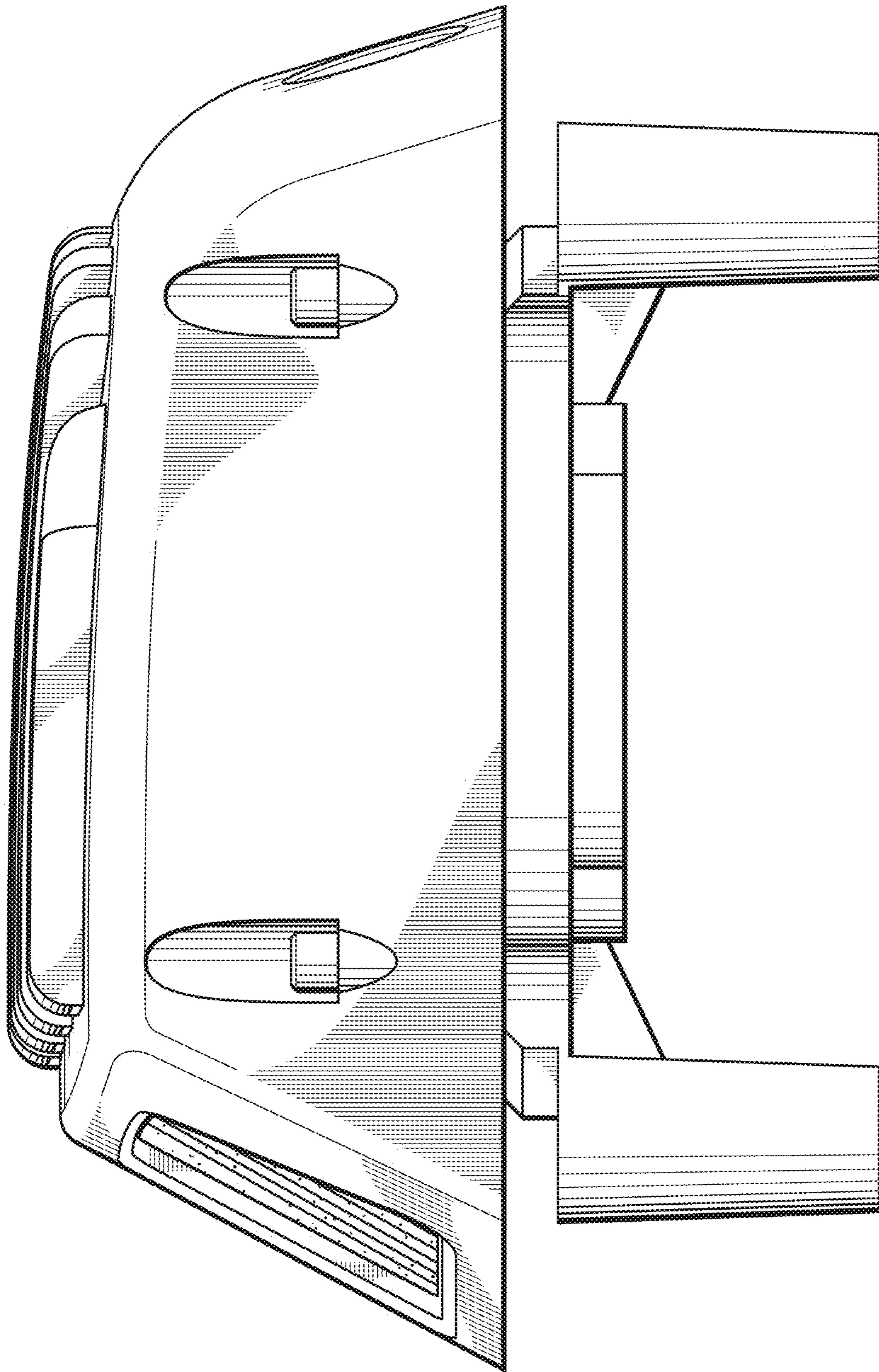


FIG. 6

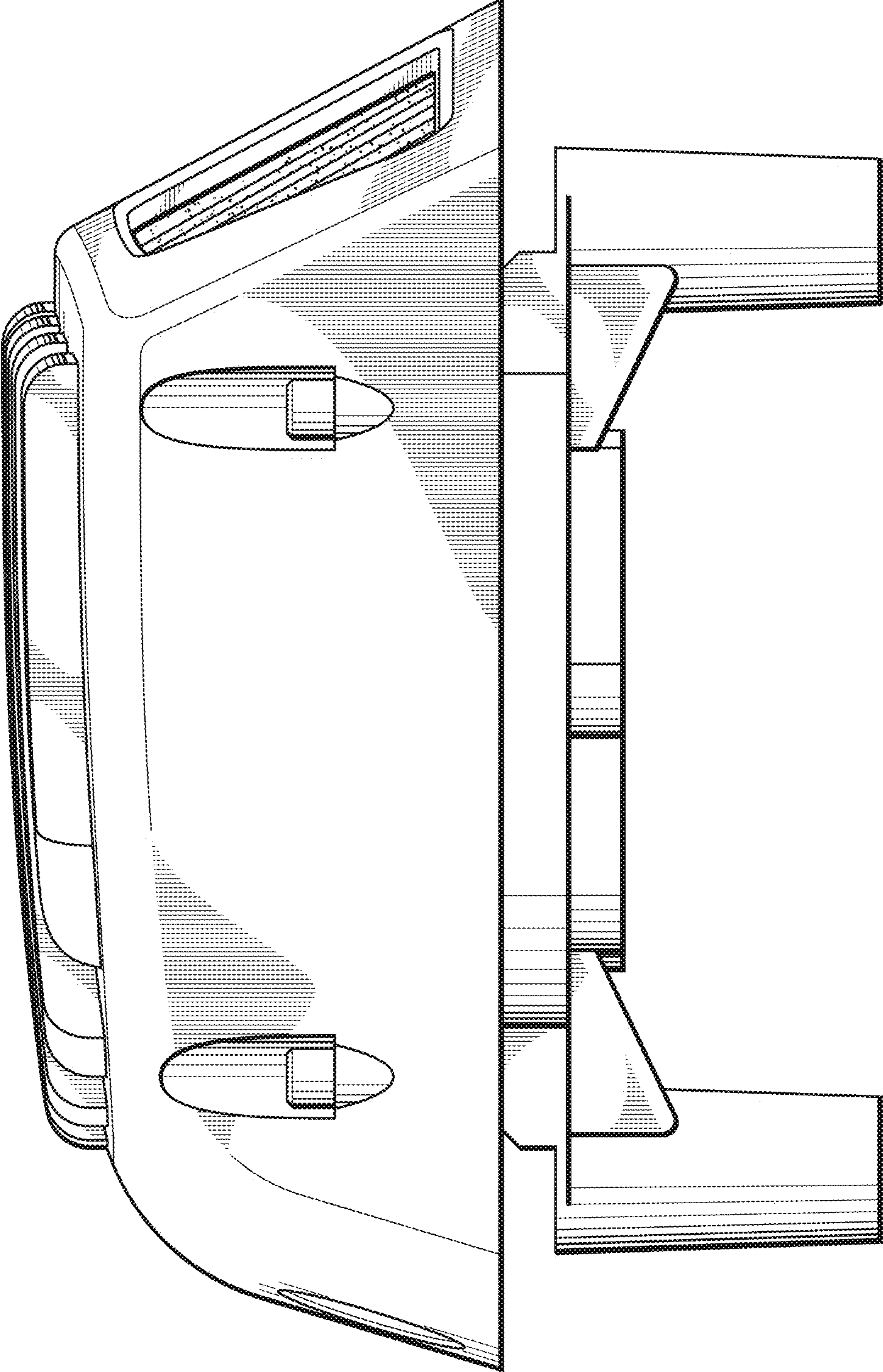


FIG. 7