



US00D902362S

(12) **United States Design Patent** (10) **Patent No.:** **US D902,362 S**
Li (45) **Date of Patent:** **** Nov. 17, 2020**

(54) **FOLDING BABY BATHTUB**

(71) Applicant: **Fei Li**, Anhui (CN)

(72) Inventor: **Fei Li**, Anhui (CN)

(**) Term: **15 Years**

(21) Appl. No.: **29/735,102**

(22) Filed: **May 18, 2020**

(51) **LOC (12) Cl.** **23-02**

(52) **U.S. Cl.**
USPC **D23/278**

(58) **Field of Classification Search**
USPC D23/277-278, 280.4, 304
See application file for complete search history.

(56) **References Cited**

U.S. PATENT DOCUMENTS

- 3,799,228 A * 3/1974 Crawford A47K 3/064
4/587
- D757,234 S 5/2016 Pereira
- D813,358 S * 3/2018 Baldelli D23/278
- 2019/0375539 A1 * 12/2019 Mu A47K 3/064

OTHER PUBLICATIONS

Baby Folding Bath Barrel, Ali Express, <https://www.aliexpress.com/item/32872070803.html> (Year: 2020).*

* cited by examiner

Primary Examiner — Robert A Delehanty

(74) *Attorney, Agent, or Firm* — Justin Lampel

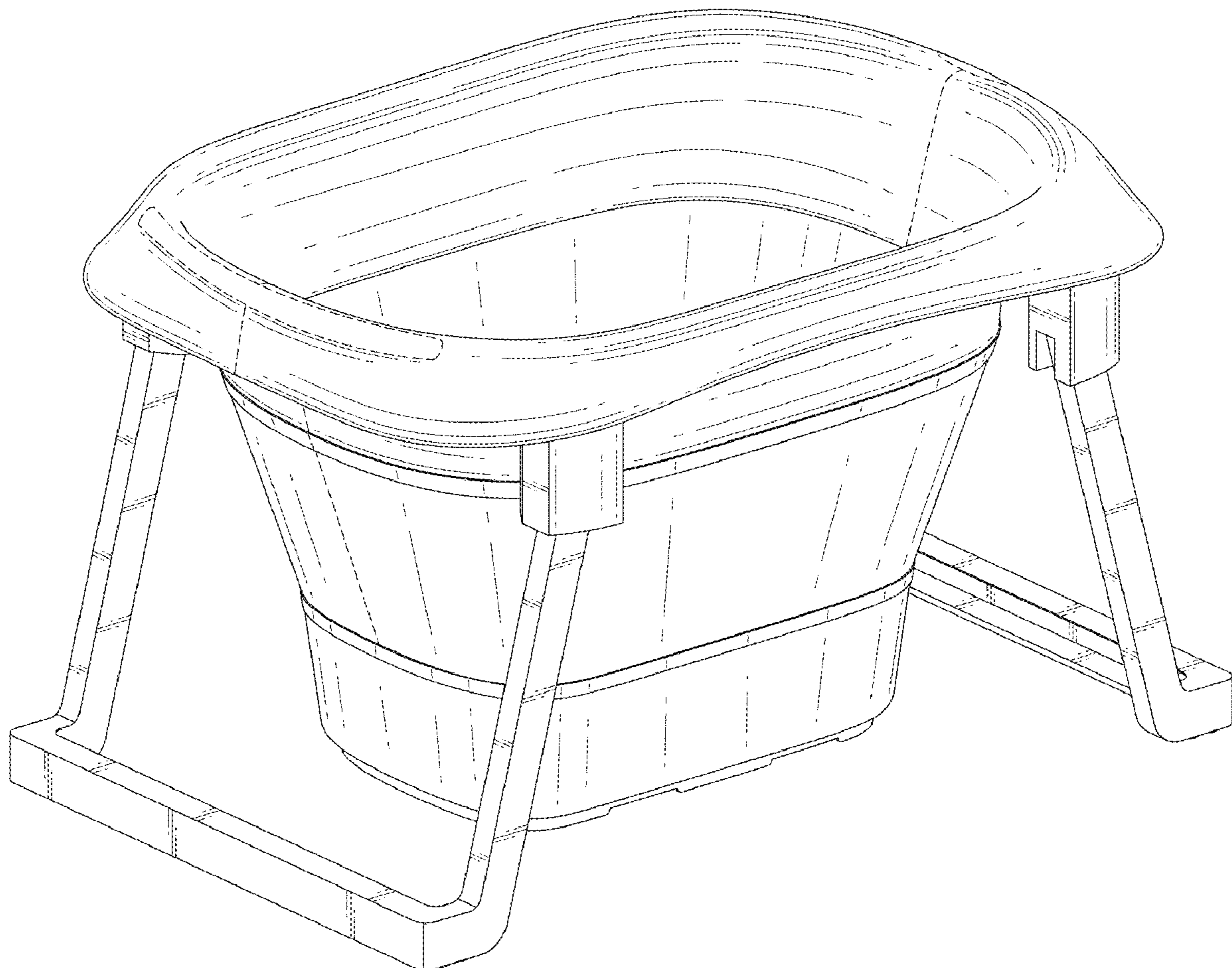
(57) **CLAIM**

The ornamental design for a folding baby bathtub, as shown and described.

DESCRIPTION

FIG. 1 is a perspective view of a folding baby bathtub, showing the claimed design;
FIG. 2 is a top plan view thereof;
FIG. 3 is a left side view thereof;
FIG. 4 is a front elevational view thereof;
FIG. 5 is a right side view thereof;
FIG. 6 is a rear elevational view thereof; and,
FIG. 7 is a bottom plan view thereof.
The broken lines shown in the drawings define the bounds of the claimed design and form no part thereof.

1 Claim, 7 Drawing Sheets



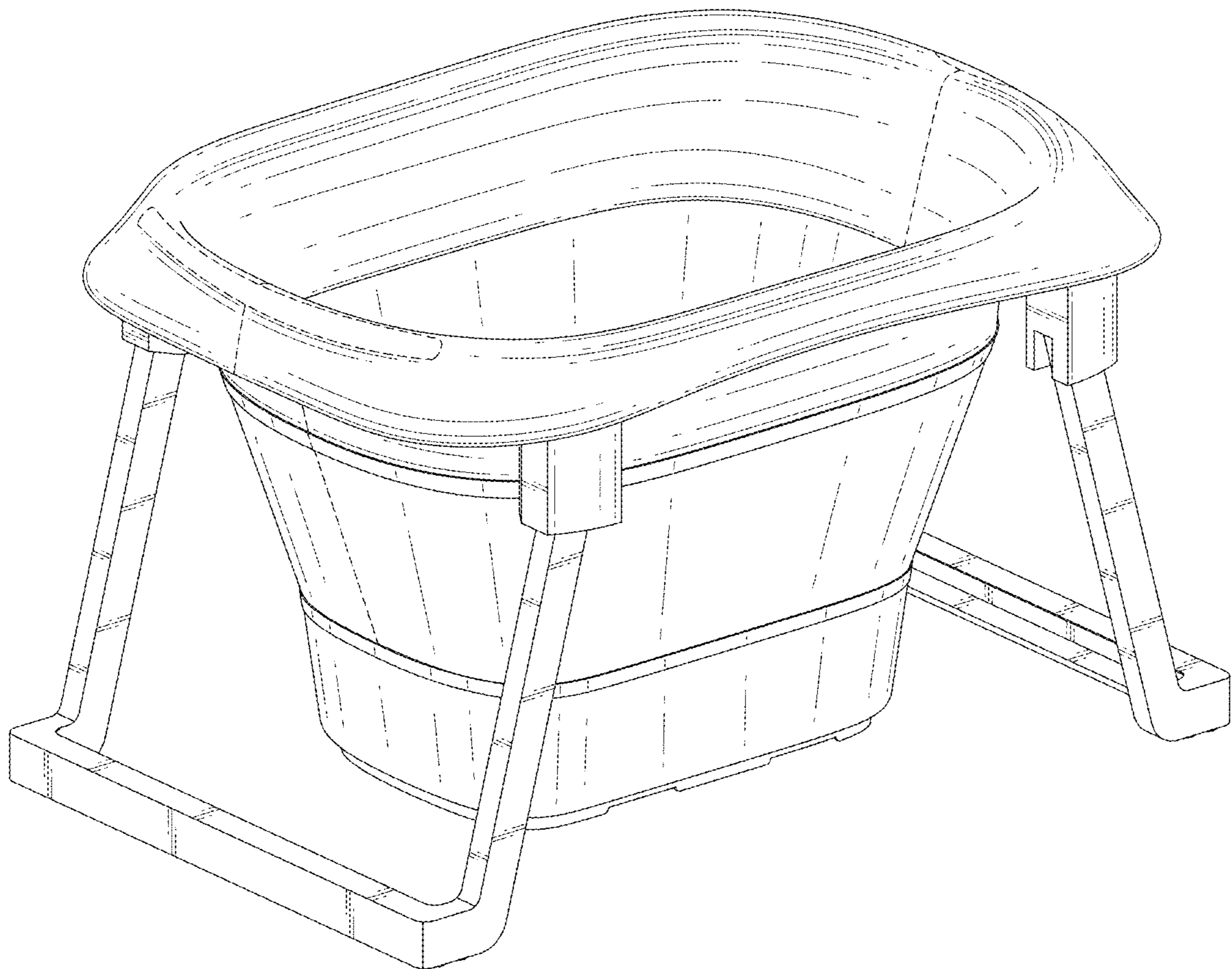


FIG. 1

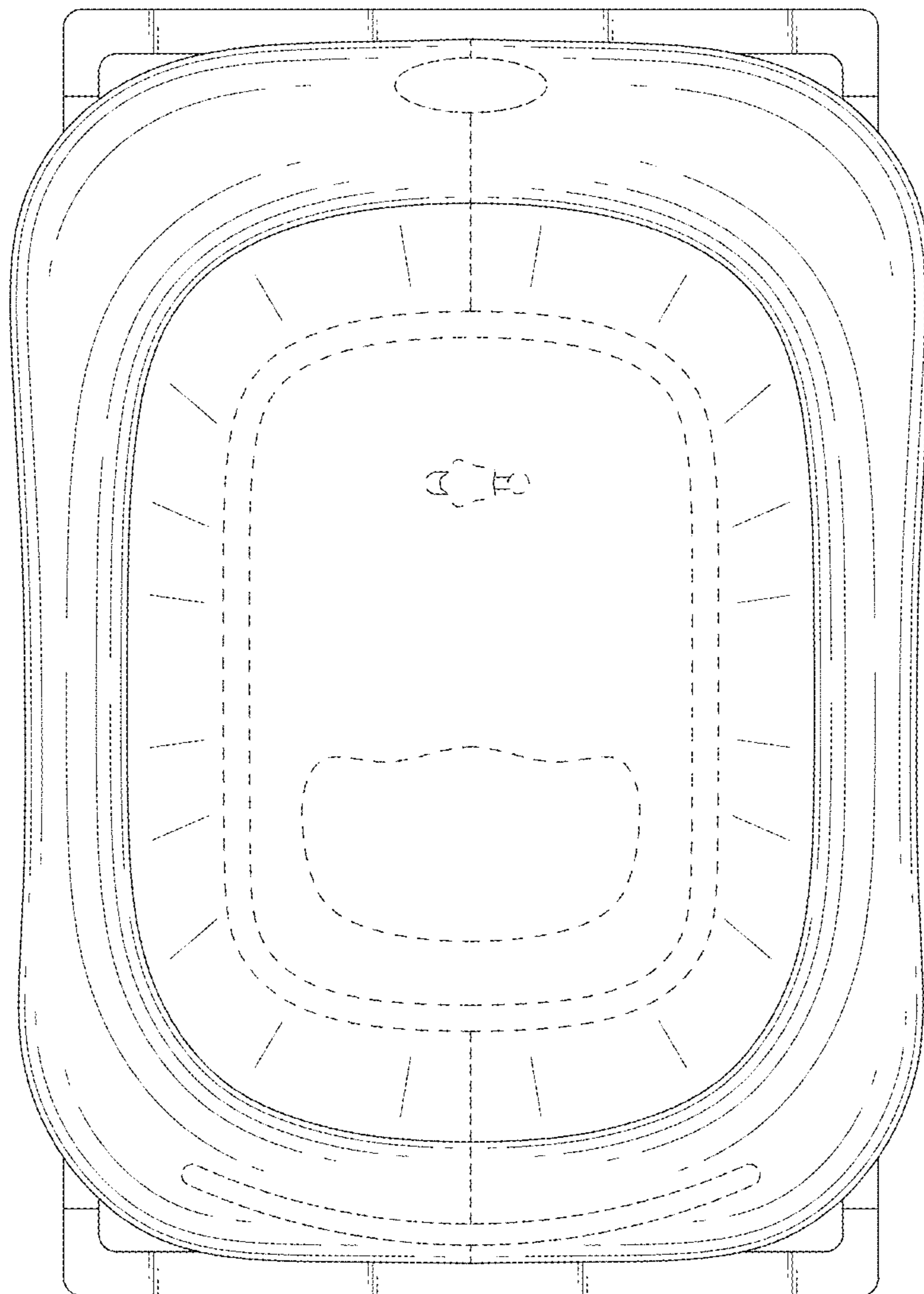


FIG. 2

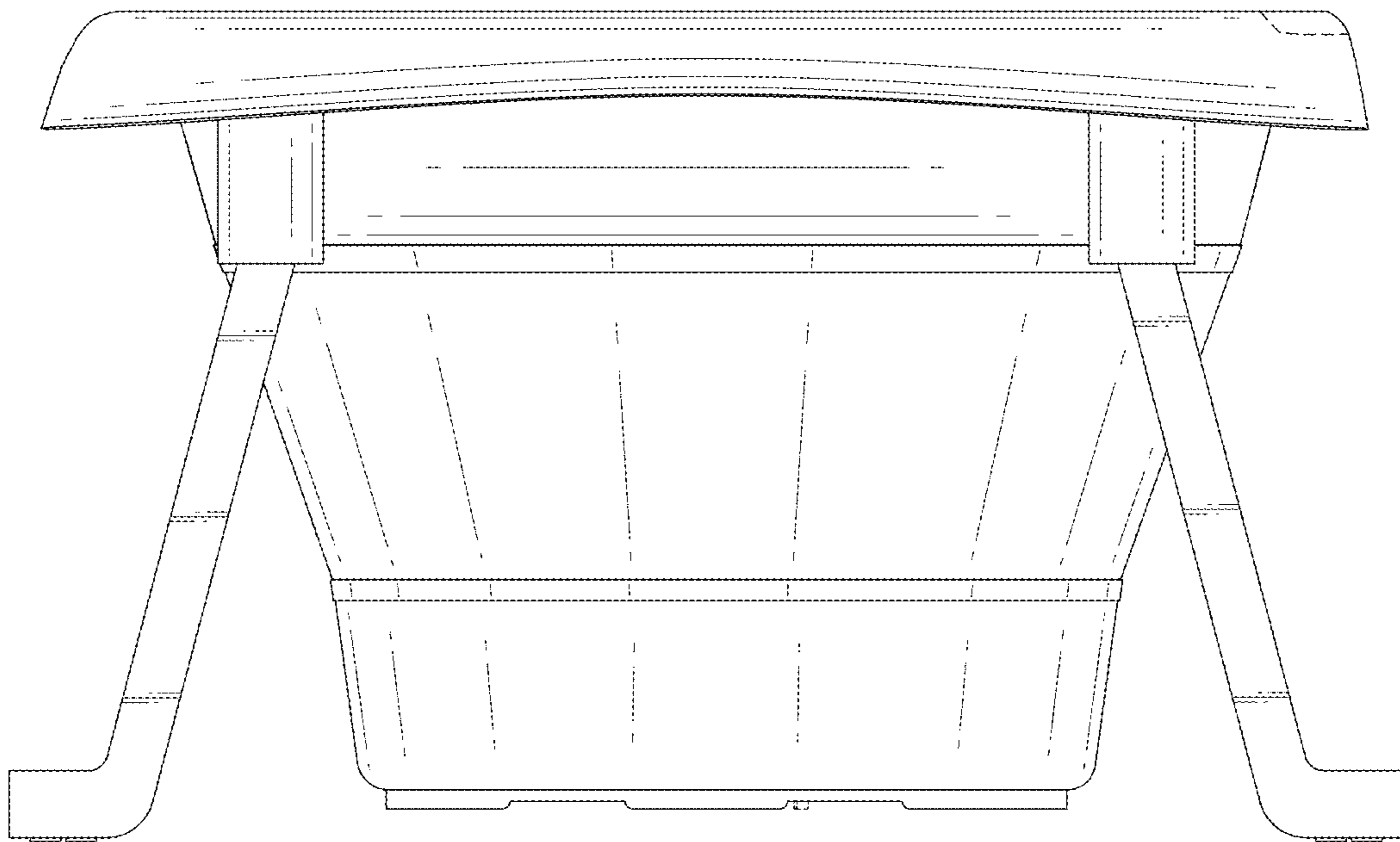


FIG. 3

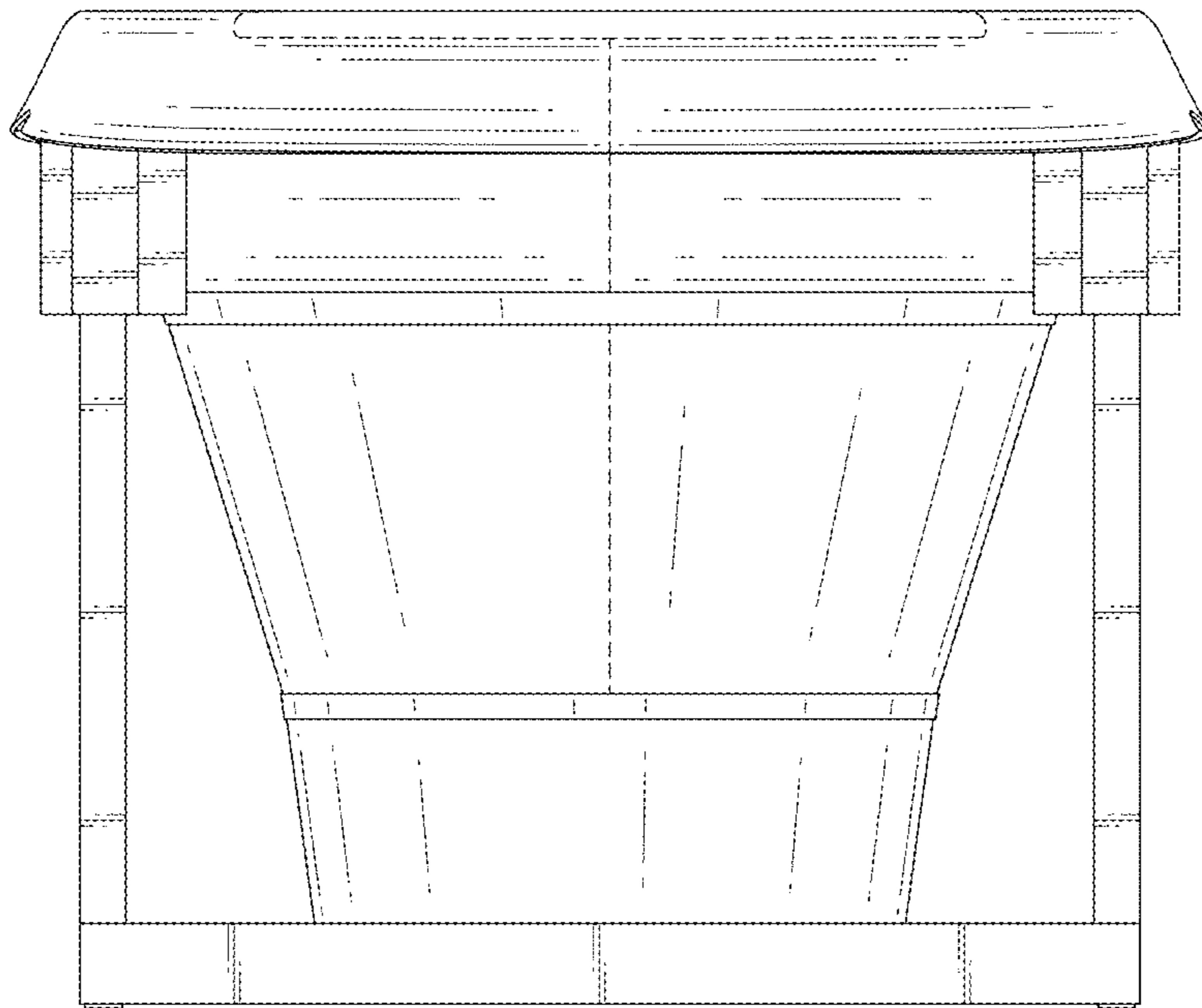


FIG. 4

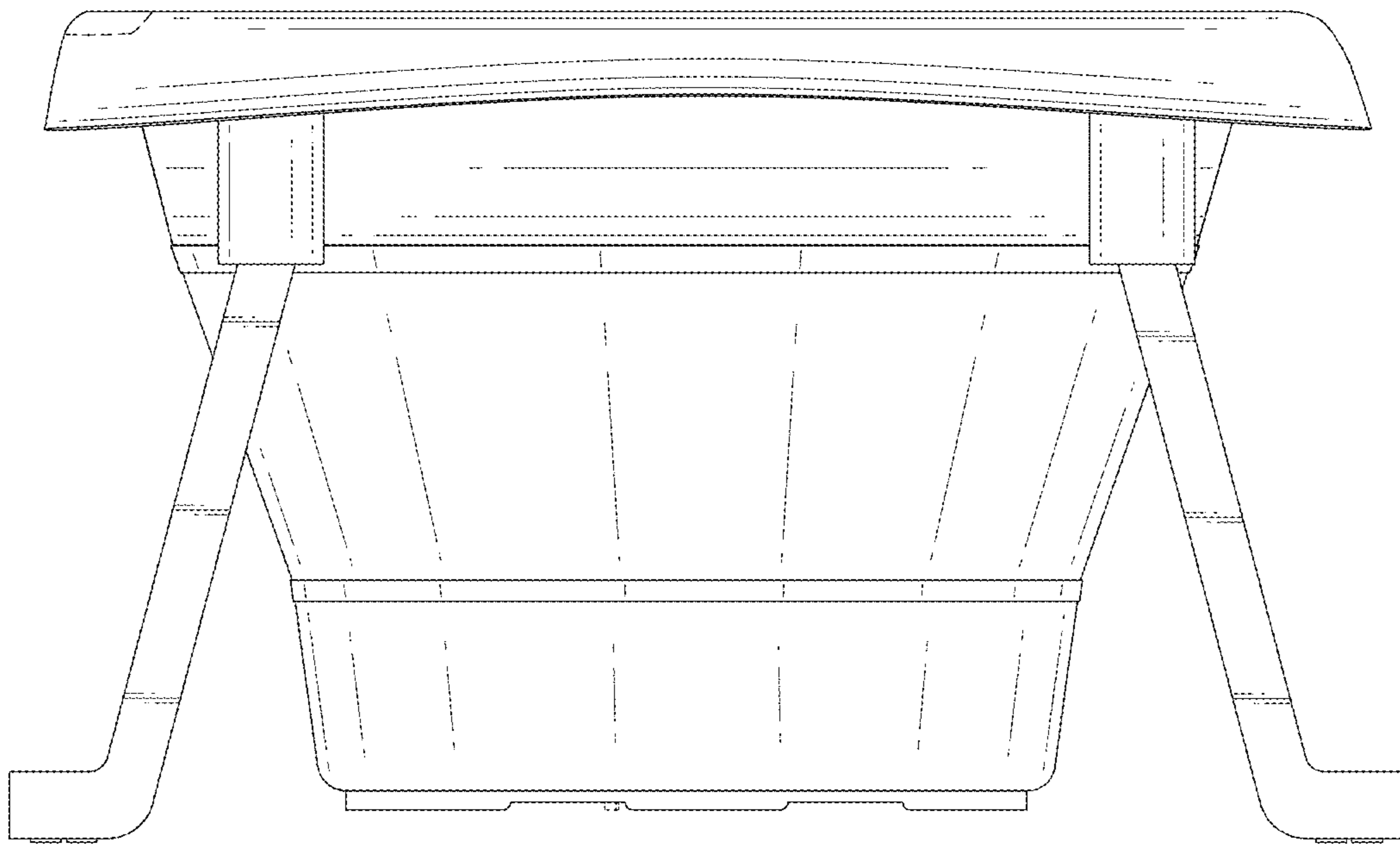


FIG. 5

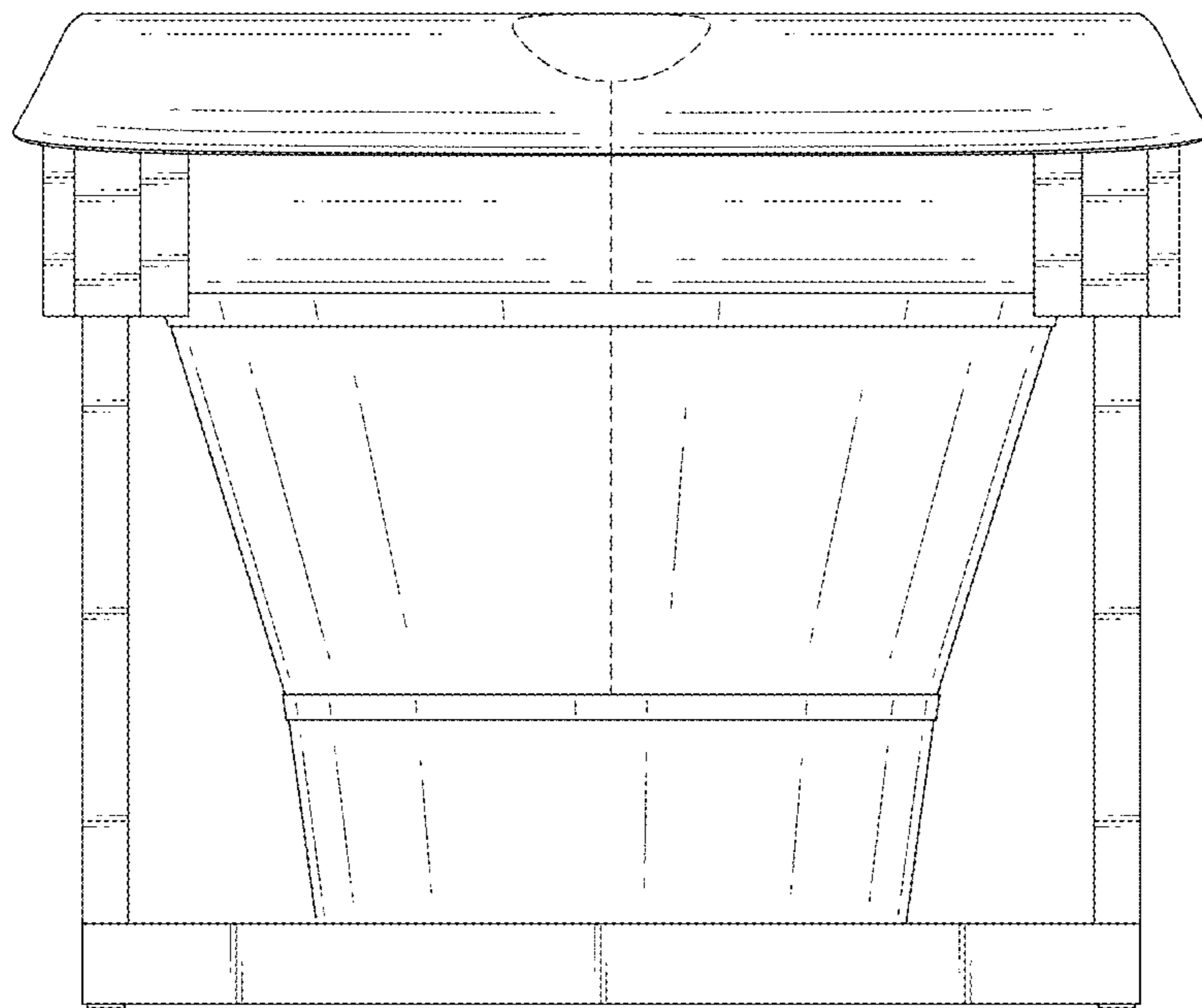


FIG. 6

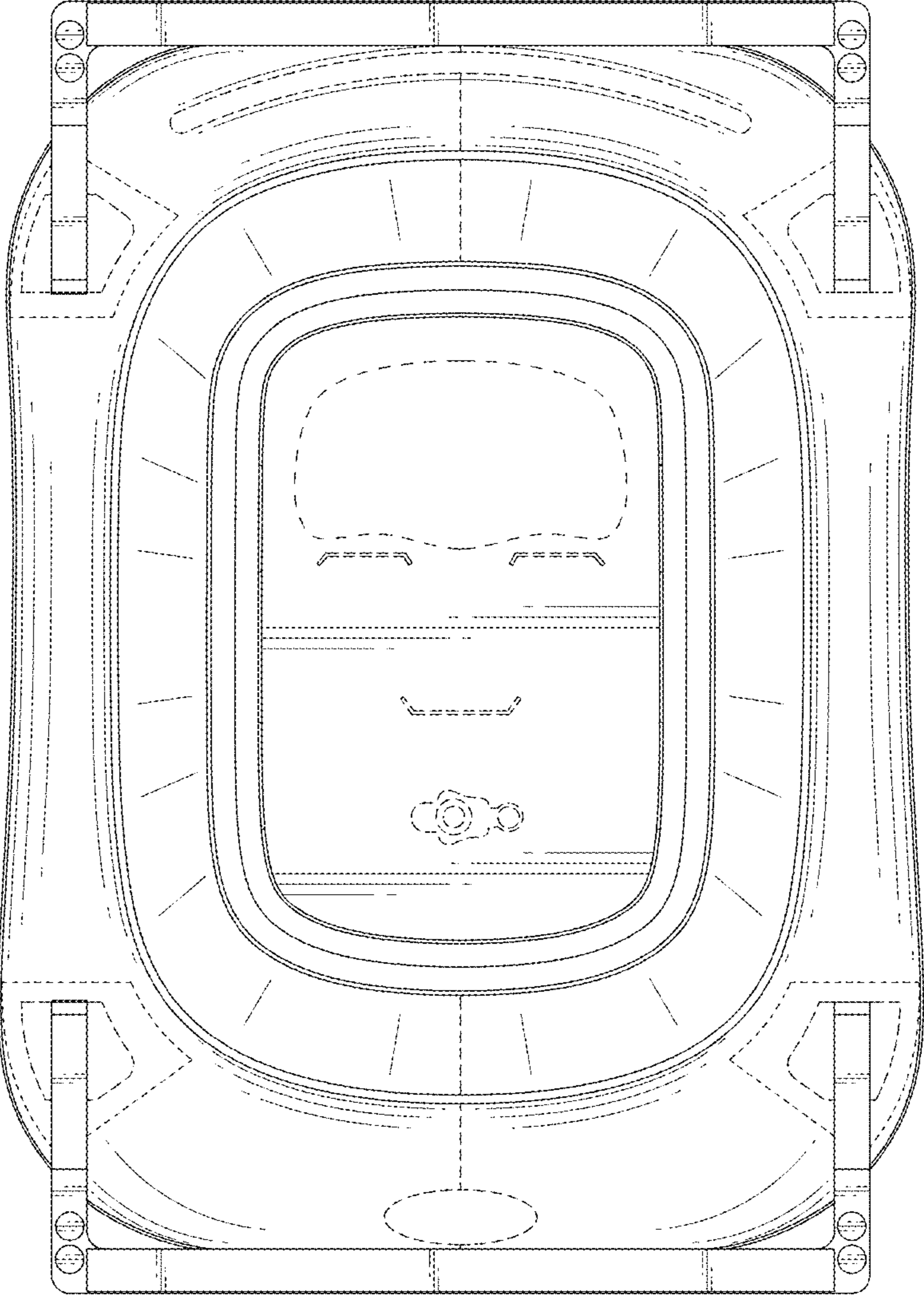


FIG. 7