



US00D902360S

(12) **United States Design Patent**
Kluss et al.

(10) **Patent No.:** **US D902,360 S**

(45) **Date of Patent:** **** Nov. 17, 2020**

(54) **TUBULAR CONNECTOR**

(71) Applicant: **Reliance Worldwide Corporation,**
Atlanta, GA (US)

(72) Inventors: **William V. Kluss,** Atlanta, GA (US);
Eliana Phippen, Atlanta, GA (US)

(73) Assignee: **Reliance Worldwide Corporation,**
Atlanta, GA (US)

(**) Term: **15 Years**

(21) Appl. No.: **29/677,195**

(22) Filed: **Jan. 17, 2019**

(51) **LOC (12) Cl.** **23-01**

(52) **U.S. Cl.**
USPC **D23/262; D23/259**

(58) **Field of Classification Search**
USPC D23/259–260, 262, 264–266, 249;
285/345, 377, 388, 390, 148.2, 148.14,
285/148.19, 148.21, 328, 921; 251/143,
251/146–148, 152
CPC F16L 11/00
See application file for complete search history.

(56) **References Cited**

U.S. PATENT DOCUMENTS

- 4,265,470 A * 5/1981 Danner E21B 17/085
285/319
- 4,406,485 A * 9/1983 Giebeler E21B 33/13
285/391
- D529,998 S * 10/2006 Mutou D23/262
- D710,485 S * 8/2014 Nudo D23/262
- D722,362 S * 2/2015 Kluss D23/235
- D746,953 S * 1/2016 Gledhill D23/259
- D756,494 S * 5/2016 Gledhill D23/262
- 9,777,875 B2 * 10/2017 Bobo F16L 37/091
- D823,442 S * 7/2018 Sugatani D23/262
- 10,072,783 B2 * 9/2018 Gledhill F16L 37/091

- D830,522 S * 10/2018 Di Liberto D23/259
- D833,581 S * 11/2018 Atwell D23/259
- 10,578,235 B2 * 3/2020 Graham F16L 37/091
- 2012/0096700 A1 * 4/2012 Patterson F16L 21/08
29/428
- 2015/0159792 A1 * 6/2015 Bobo F16L 37/091
285/308
- 2015/0240980 A1 * 8/2015 Bobo F16L 37/0915
285/321

OTHER PUBLICATIONS

Notice of Allowance dated Sep. 11, 2020 related to U.S. Appl. No. 29/686,256.

(Continued)

Primary Examiner — Amy C Wierenga

(74) *Attorney, Agent, or Firm* — Foley and Lardner LLP

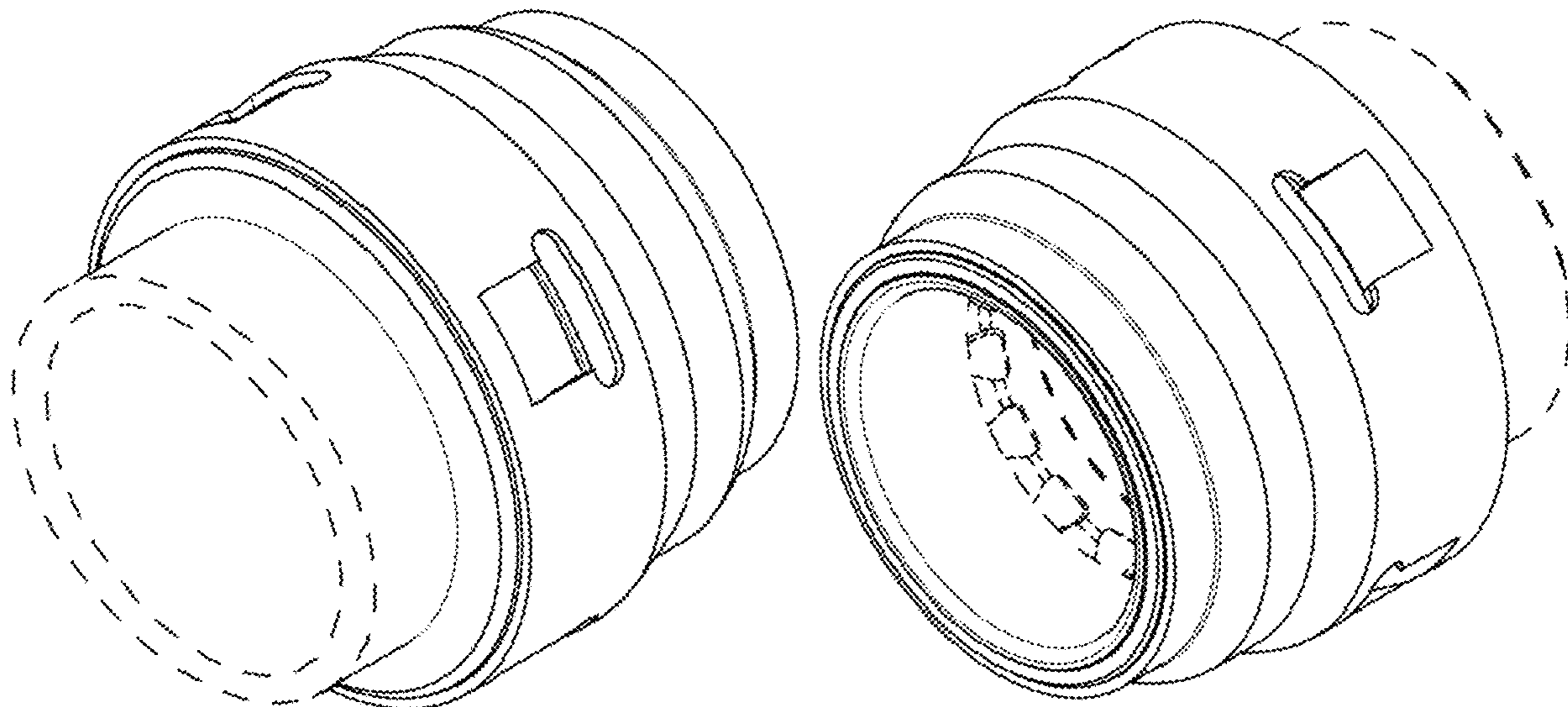
(57) **CLAIM**

The ornamental design for a tubular connector, as shown and described.

DESCRIPTION

FIG. 1 is a perspective view of the back of the tubular connector of this invention;
 FIG. 2 is a perspective view of the front of the tubular connector of this invention;
 FIG. 3 is a right-side view of the tubular connector of FIG. 2;
 FIG. 4 is a left-side view of the tubular connector of FIG. 2;
 FIG. 5 is a top view of the tubular connector of FIG. 3, showing the front end of the tubular connector; and,
 FIG. 6 is a back view of the tubular connector of FIG. 3, showing the back end of the tubular connector.
 The broken lines show environmental structure such as gripping teeth and tubular structure that form no part of the claimed invention.

1 Claim, 3 Drawing Sheets



(56)

References Cited

OTHER PUBLICATIONS

Corrected Notice of Allowance dated Sep. 23, 2020 related to U.S. Appl. No. 29/686,256.

Ex Parte Quayle issued on Jun. 24, 2020 related to U.S. Appl. No. 29/686,256.

Notice of Allowance dated Sep. 11, 2020 related to U.S. Appl. No. 29/689,798.

Corrected Notice of Allowance dated Sep. 23, 2020 related to U.S. Appl. No. 29/689,798.

Ex Parte Quayle issued on Jun. 24, 2020 related to U.S. Appl. No. 29/689,798.

* cited by examiner

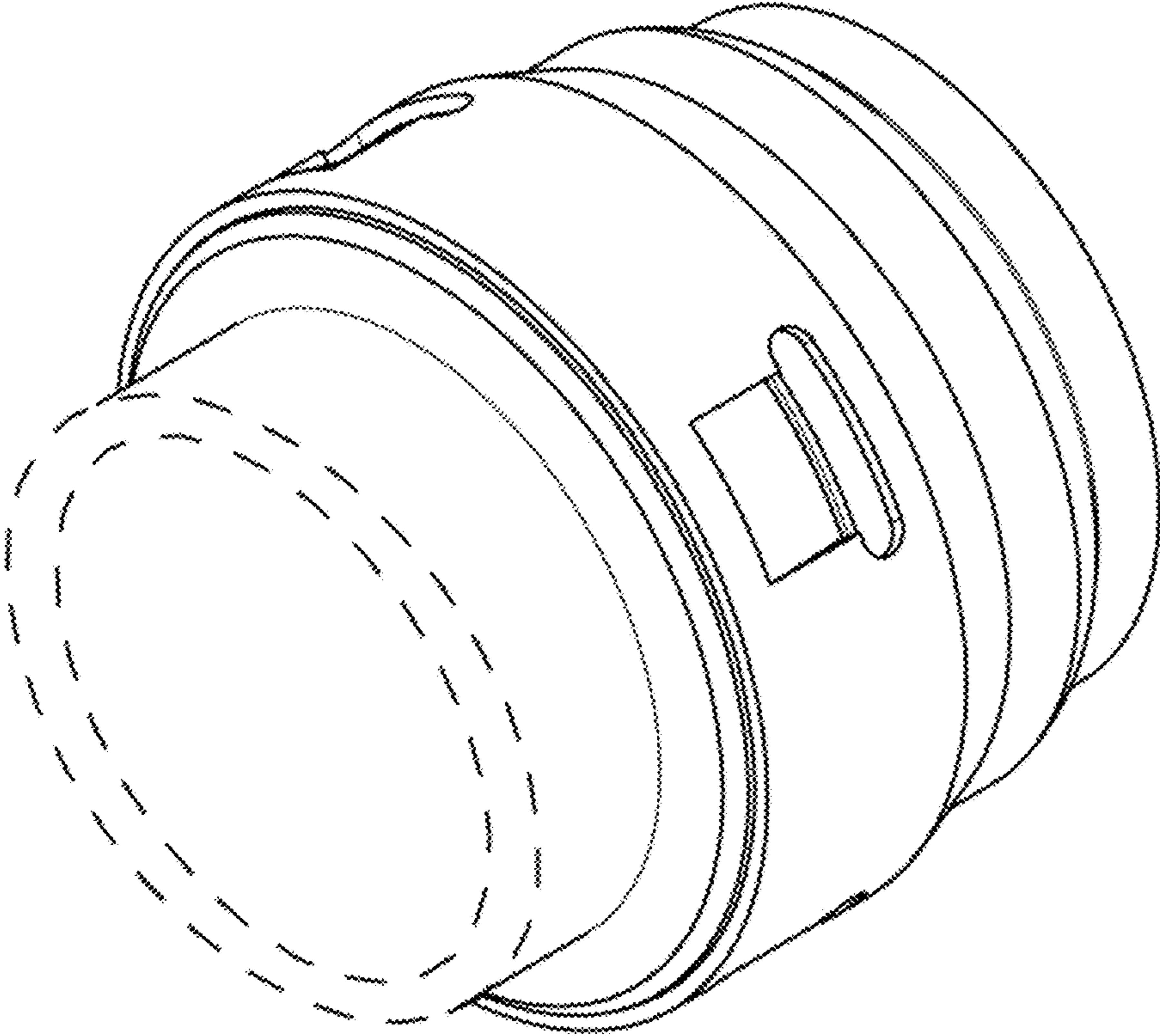


Fig. 1

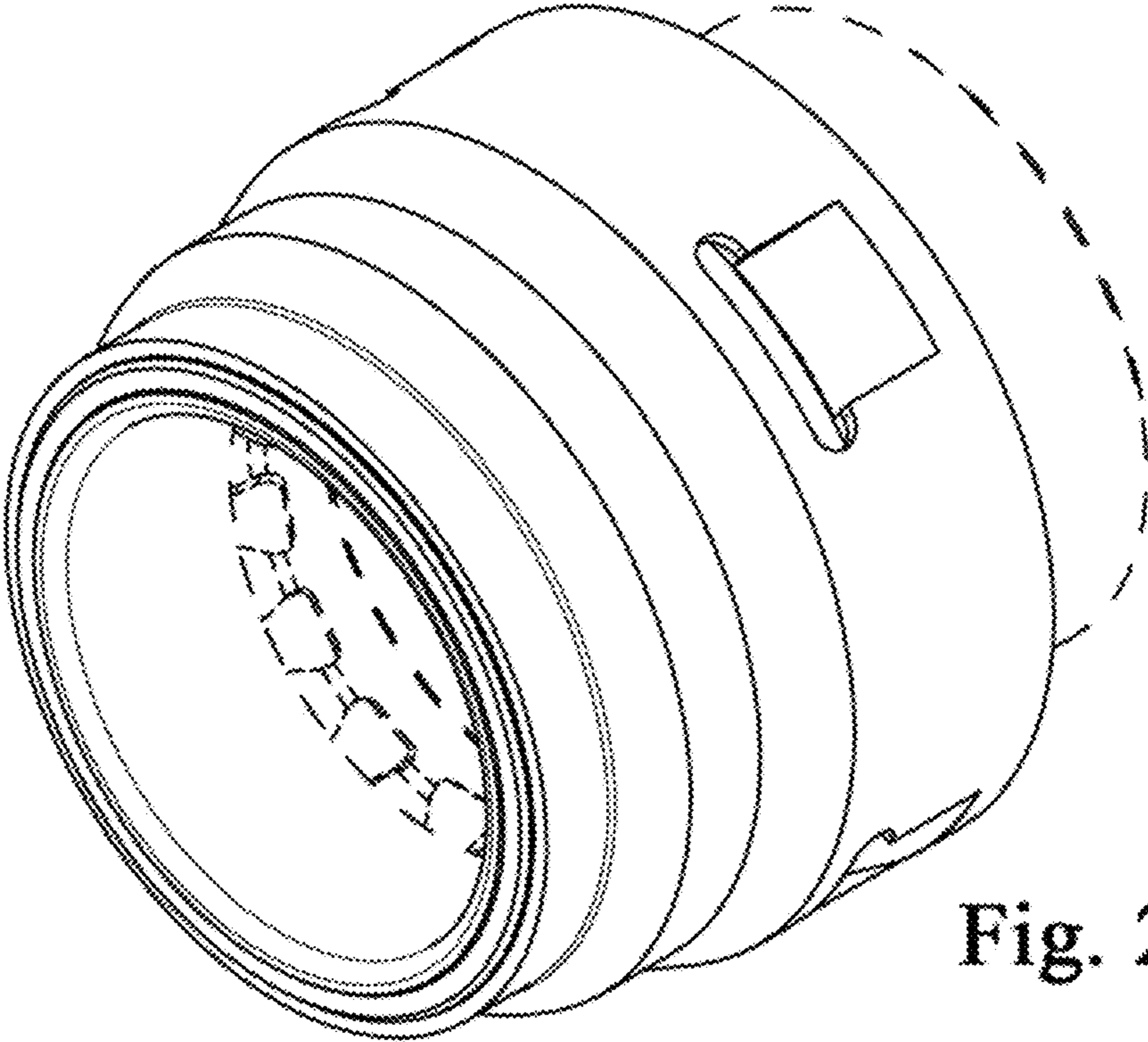


Fig. 2

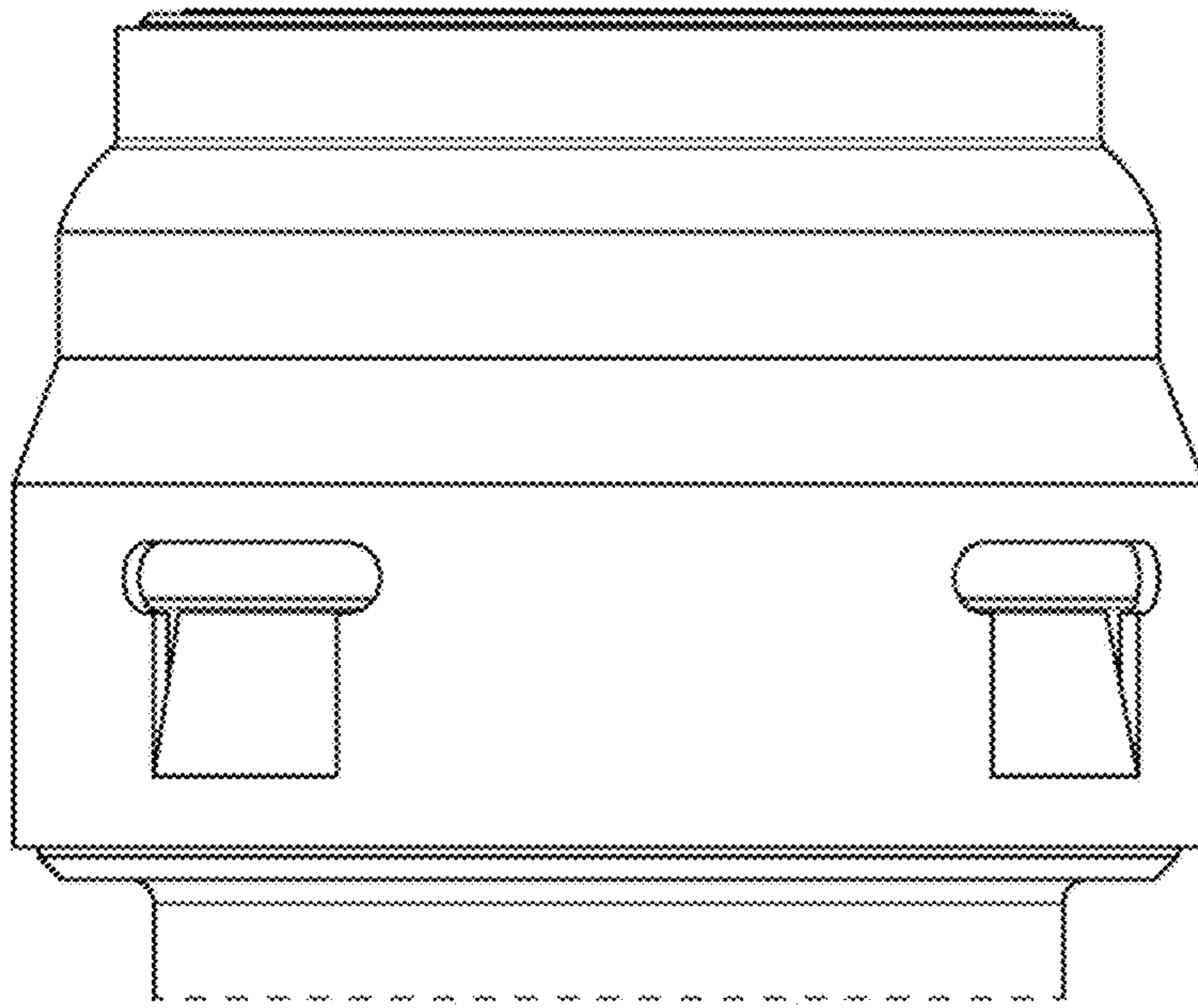


Fig. 3

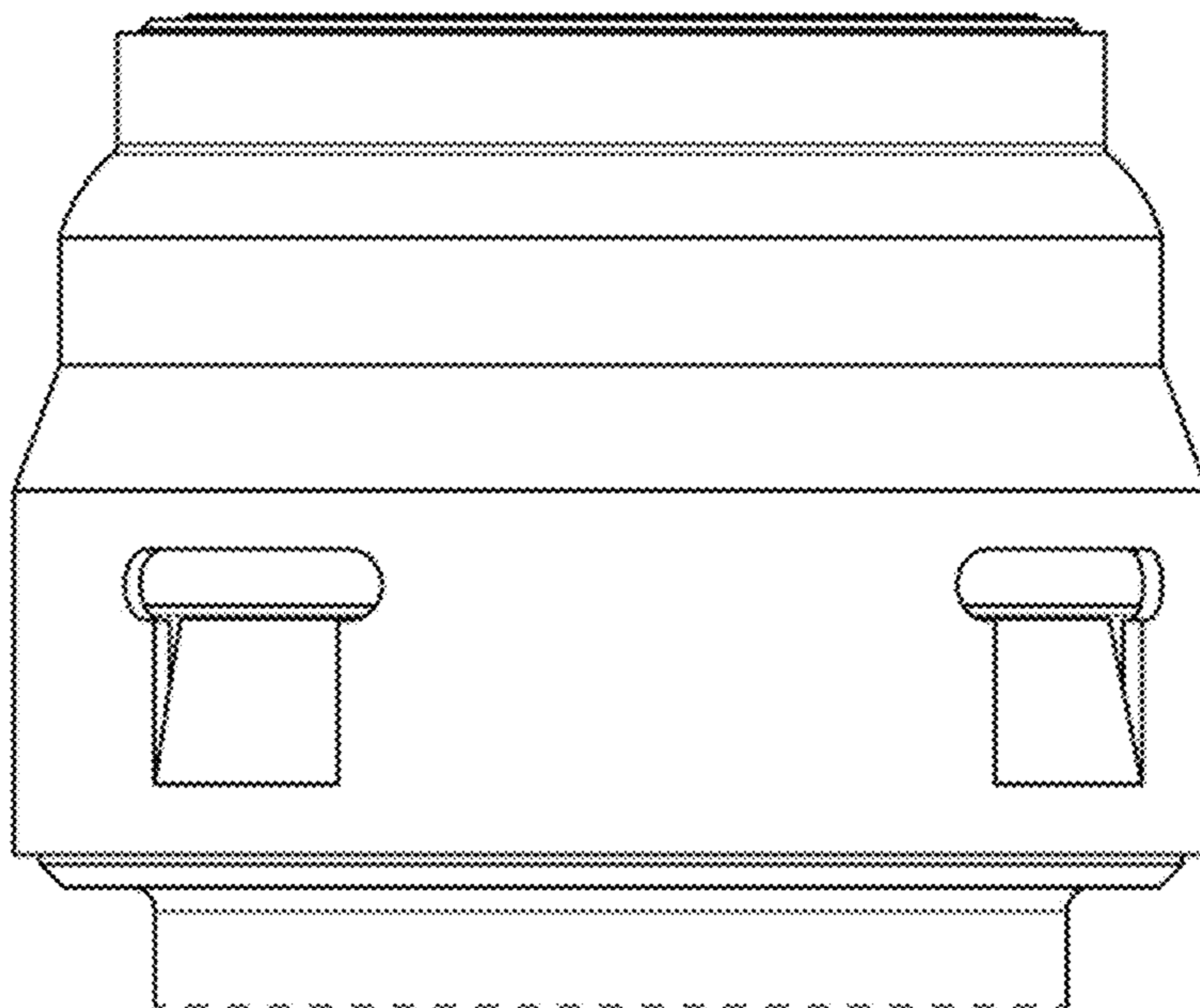


Fig. 4

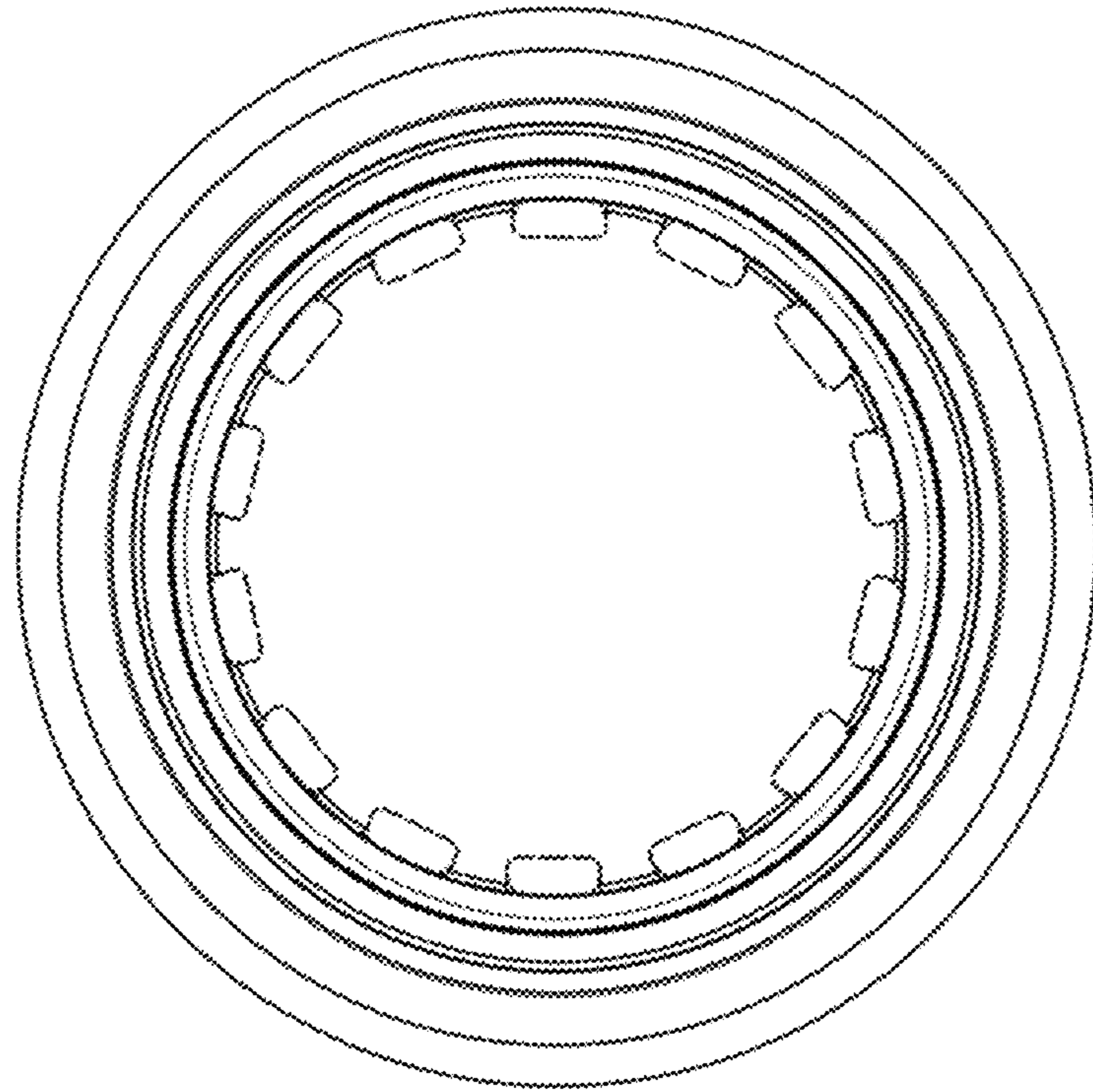


Fig. 5

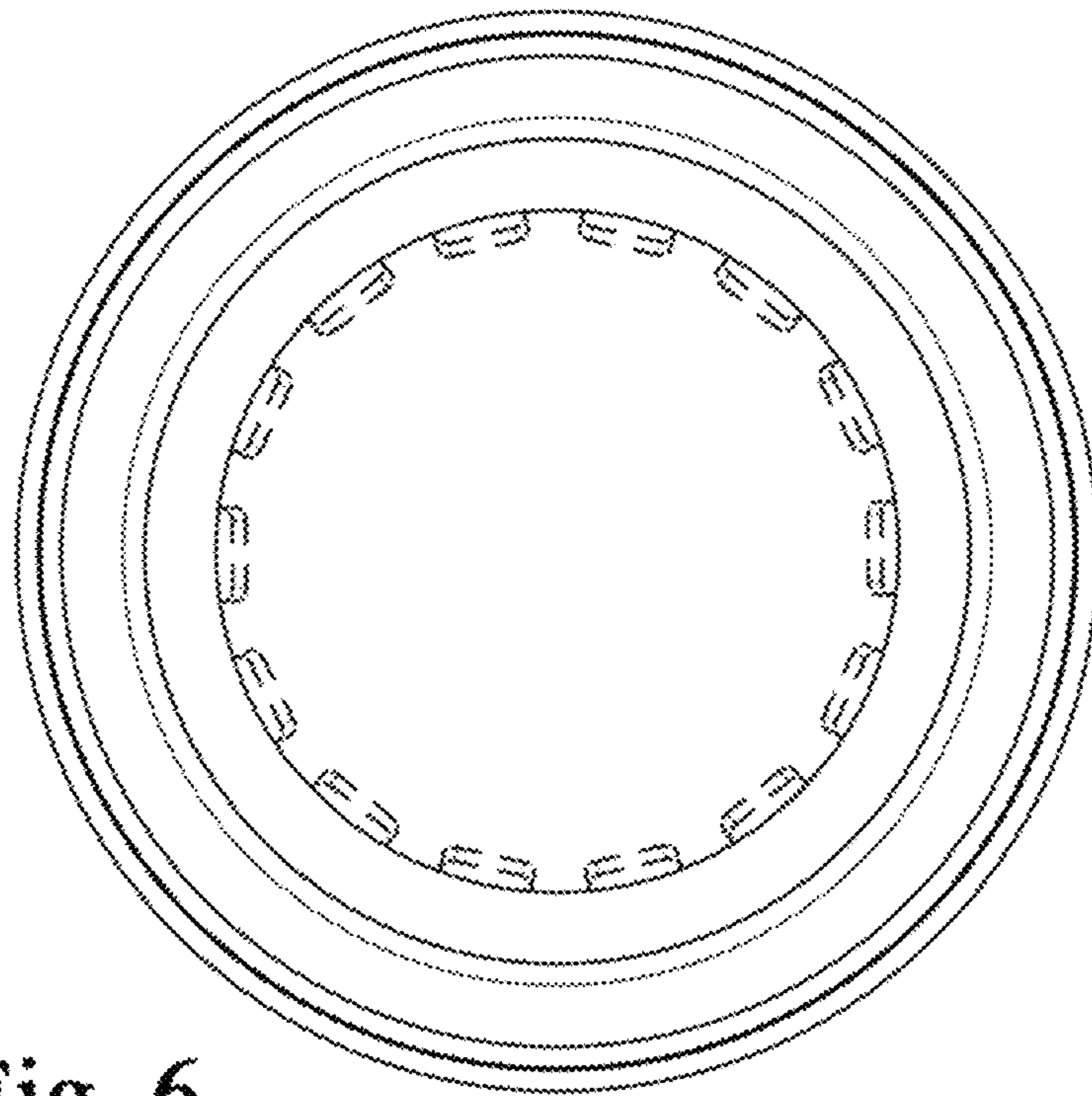


Fig. 6