



US00D902359S

(12) **United States Design Patent**
Wu et al.

(10) **Patent No.:** **US D902,359 S**

(45) **Date of Patent:** **** Nov. 17, 2020**

(54) **LIFTING PLUG**

(71) Applicant: **U.S. Government as Represented by the Secretary of the Army**, Dover, NJ (US)

(72) Inventors: **Thomas Wu**, New Hyde Park, NY (US); **Shana Groeschler**, Highland Park, NJ (US); **Keith Fulton**, Stroudsburg, PA (US); **Leon Moy**, Verona, NJ (US)

(73) Assignee: **The United States of America as Represented by the Secretary of the Army**, Washington, DC (US)

(**) Term: **15 Years**

(21) Appl. No.: **29/671,685**

(22) Filed: **Nov. 29, 2018**

(51) **LOC (12) Cl.** **23-01**

(52) **U.S. Cl.**
USPC **D23/260**

(58) **Field of Classification Search**
USPC D23/249, 259–260, 262, 264–266;
D8/387, 394, 396–397, 72–73, 85–386;
285/345, 377, 388, 390, 148.2, 328, 921;
411/508–510; 138/89, 90, 96 T; 4/286,
4/293, 295; 102/333, 481; D22/100,
D22/108–109
CPC F16L 11/00; F16J 15/32; F42B 39/20
See application file for complete search history.

(56) **References Cited**

U.S. PATENT DOCUMENTS

- 1,595,676 A * 8/1926 Merkert B65D 35/42
220/288
- 3,665,857 A * 5/1972 Radnich F42B 39/00
102/481
- 3,927,791 A * 12/1975 Hershberger F42C 19/04
220/89.4

- D355,022 S * 1/1995 Canther D23/260
- D370,709 S * 6/1996 John D23/260
- 7,451,703 B1 * 11/2008 Dabiri F42B 39/20
102/200
- 8,596,291 B2 * 12/2013 Kotefski F42B 39/14
102/481

(Continued)

Primary Examiner — Amy C Wierenga

(74) *Attorney, Agent, or Firm* — Michael C. Sachs

(57) **CLAIM**

The ornamental design for a lifting plug, as shown and described.

DESCRIPTION

The invention described herein may be made or used by or for the U.S. Government for U.S. Government purposes.

FIG. 1 is a top, looking downward, isometric view of the lifting plug.

FIG. 2 is a bottom, looking upward, isometric view of the lifting plug.

FIG. 3 is a front side elevation view of the lifting plug.

FIG. 4 is a back side elevation view of the lifting plug.

FIG. 5 is a left side elevation view of the lifting plug.

FIG. 6 is a right side elevation view of the lifting plug.

FIG. 7 is a bottom plan view of the lifting plug.

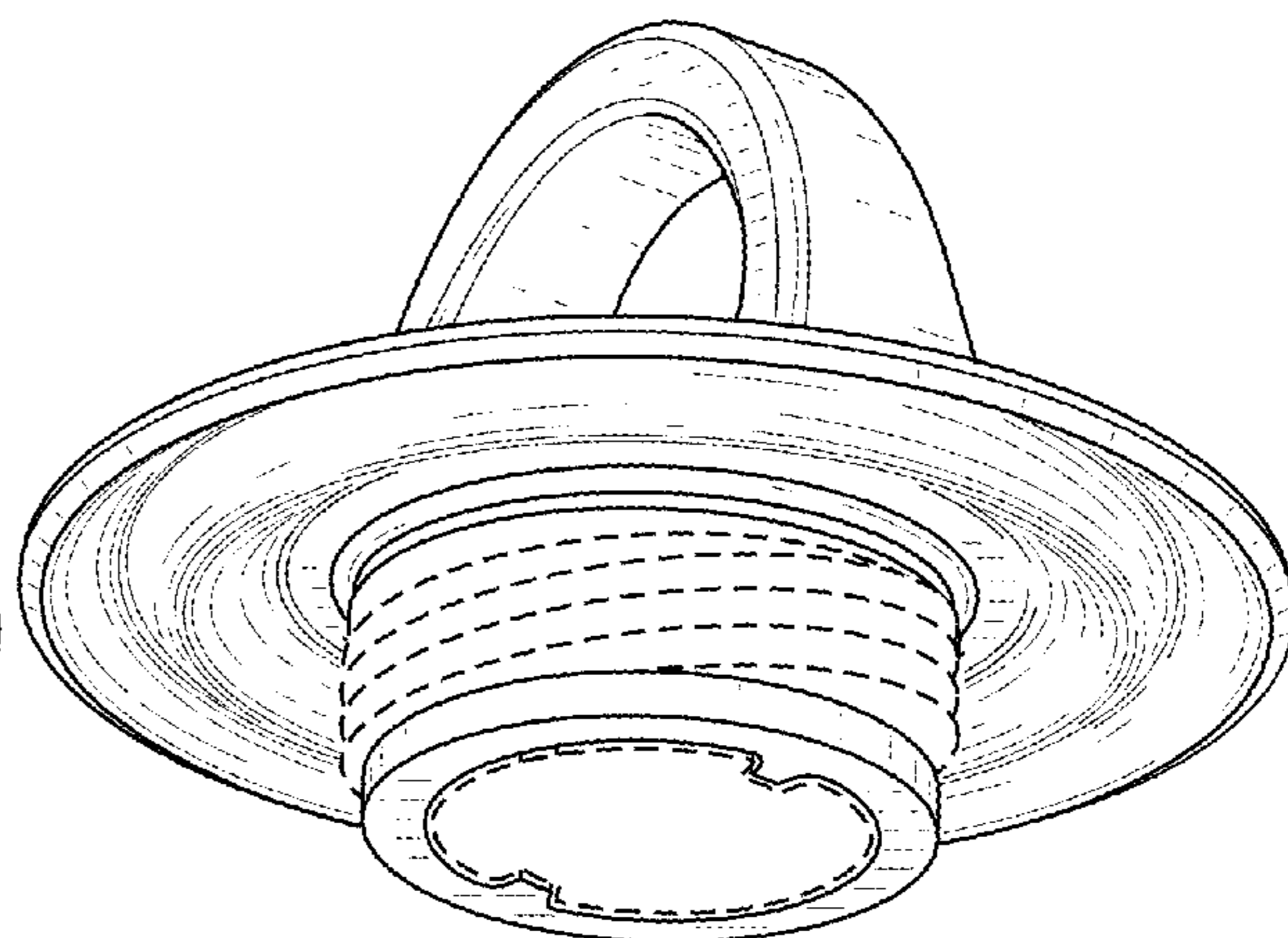
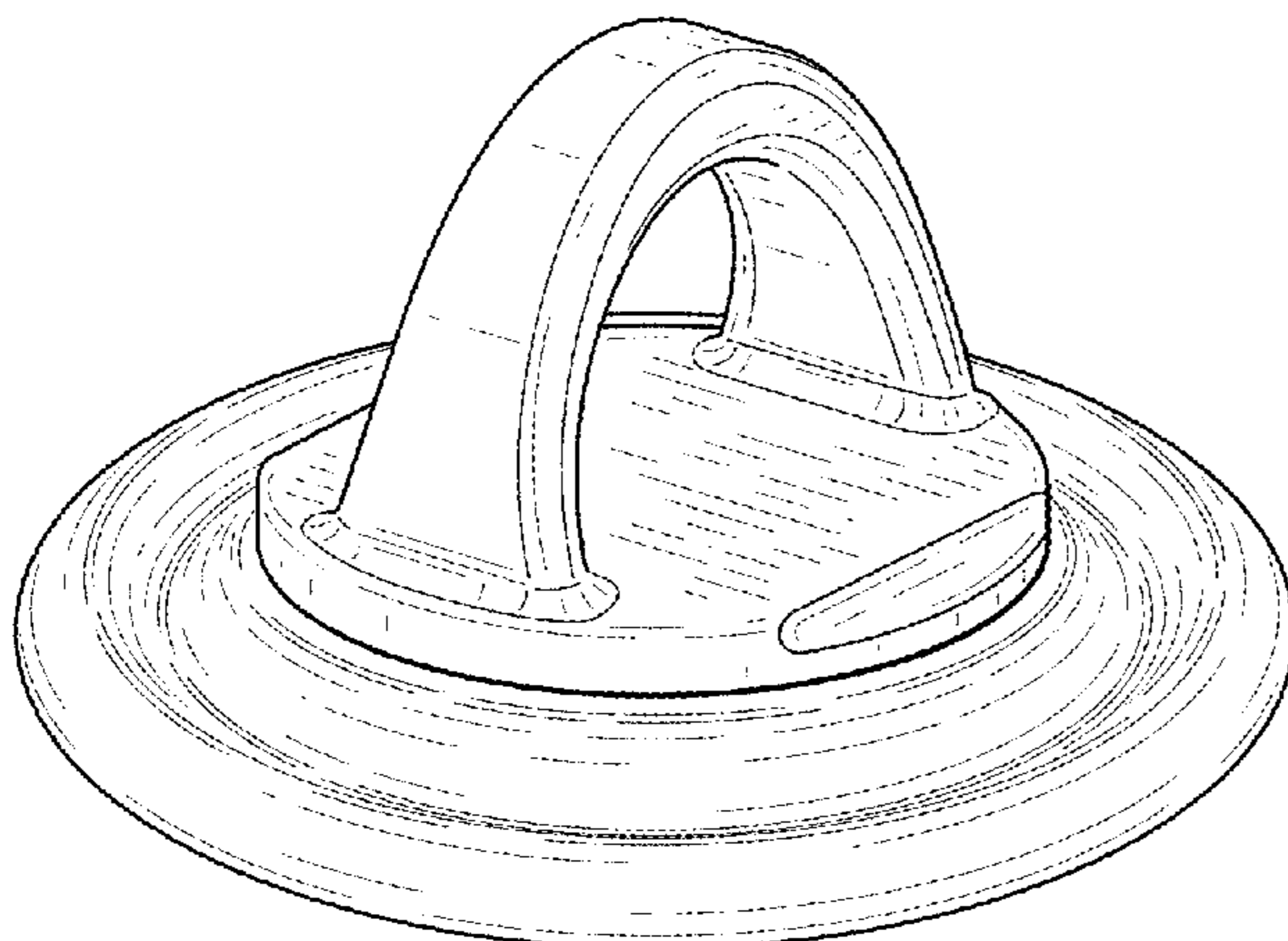
FIG. 8 is a top plan view of the lifting plug.

FIG. 9 is an exploded view of the lifting plug.

FIG. 10 is a left side view of the lifting plug with partial cross sectional cut view 11-11 annotated thereon; and, FIG. 11 is a partial cross sectional cut view 11-11 of the lifting plug.

The broken lines depict environmental structure illustrating the design in a condition of use. The broken lines and structure do not depict or form any part of the claimed design. Views are orthogonal projections unless otherwise noted. The various views are not necessarily to scale in order to better illustrate the design.

1 Claim, 6 Drawing Sheets



(56)

References Cited

U.S. PATENT DOCUMENTS

D720,836 S * 1/2015 Moe D23/260
9,631,911 B2 * 4/2017 Jung F42B 39/20
9,915,366 B2 * 3/2018 Kendricks B60T 17/043
D819,787 S * 6/2018 Yeater D23/260
10,066,917 B1 * 9/2018 Youn F42B 3/006
2003/0217770 A1 * 11/2003 Schultz F16K 17/383
137/73
2012/0298005 A1 * 11/2012 Kotefski F42B 39/20
102/481
2017/0016705 A1 * 1/2017 Jung F42B 39/20

* cited by examiner

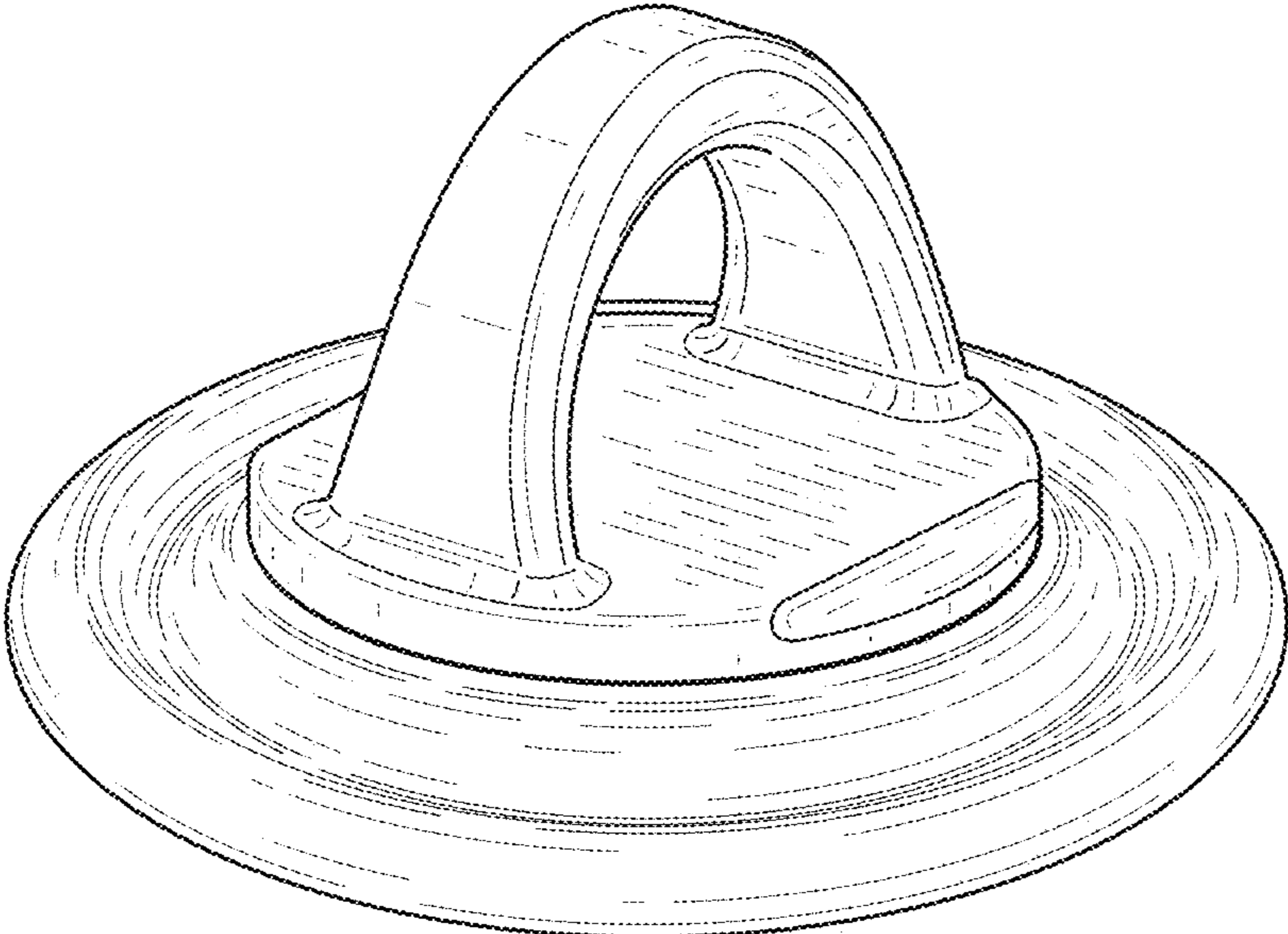


FIG. 1

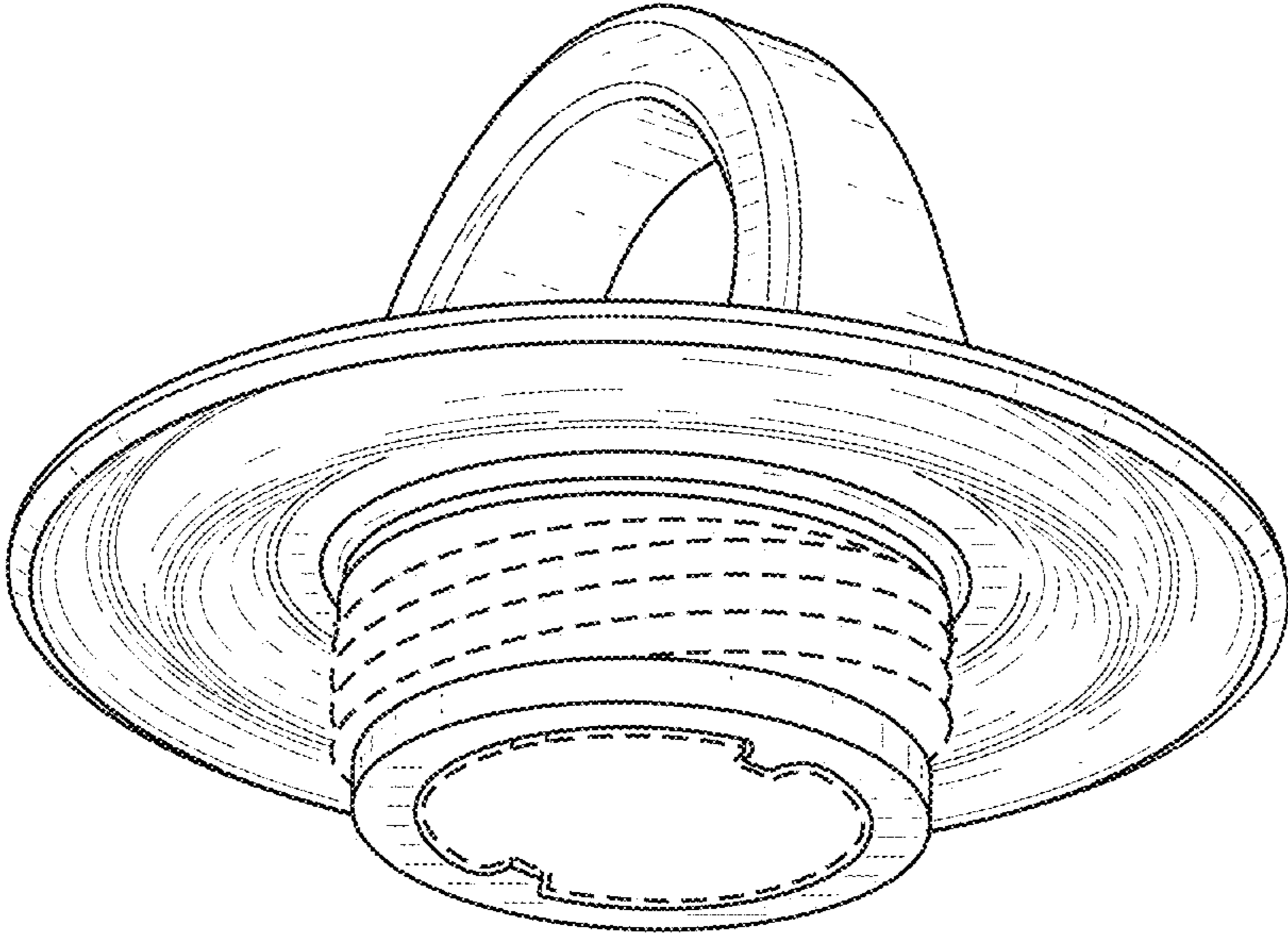


FIG. 2

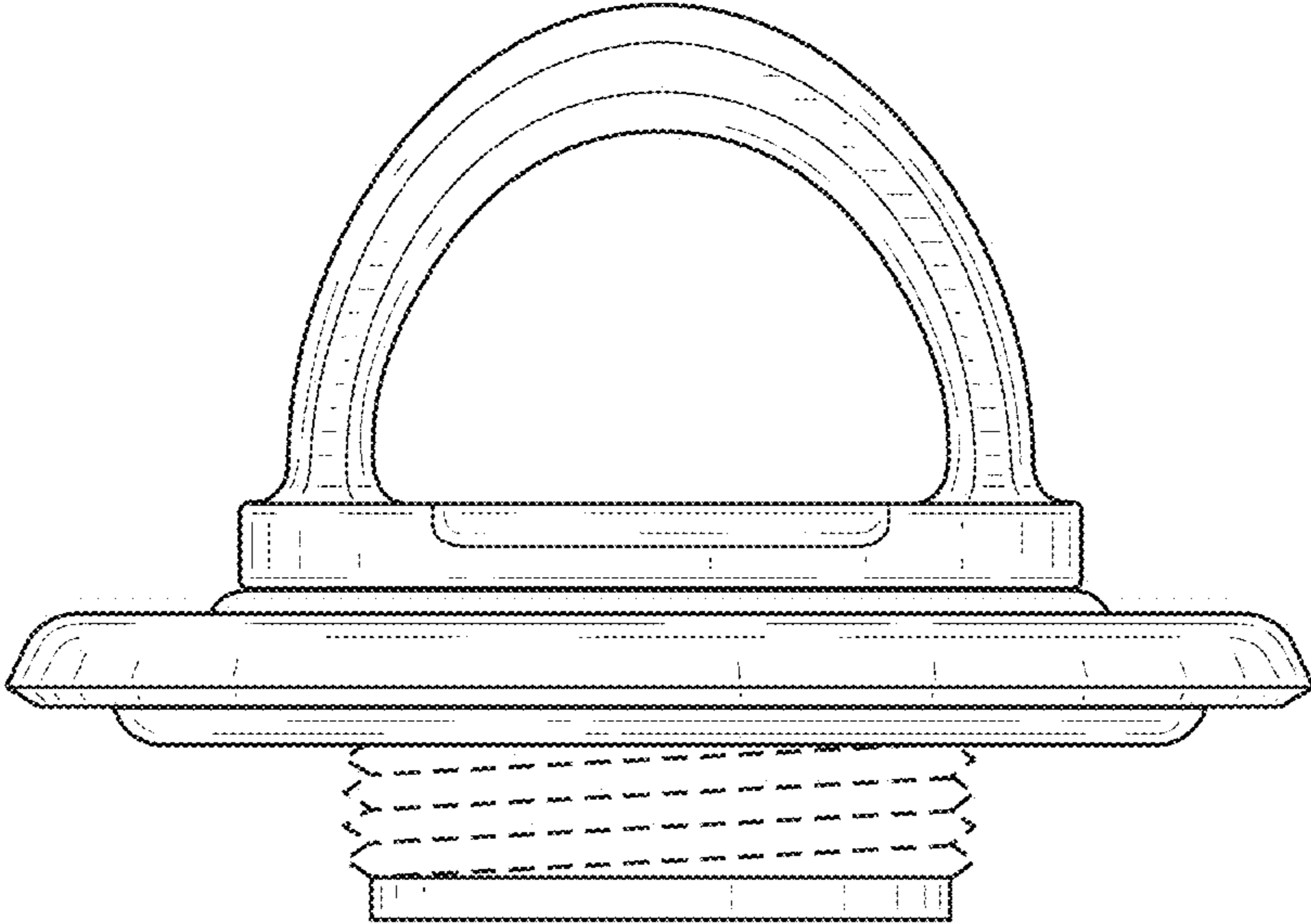


FIG. 3

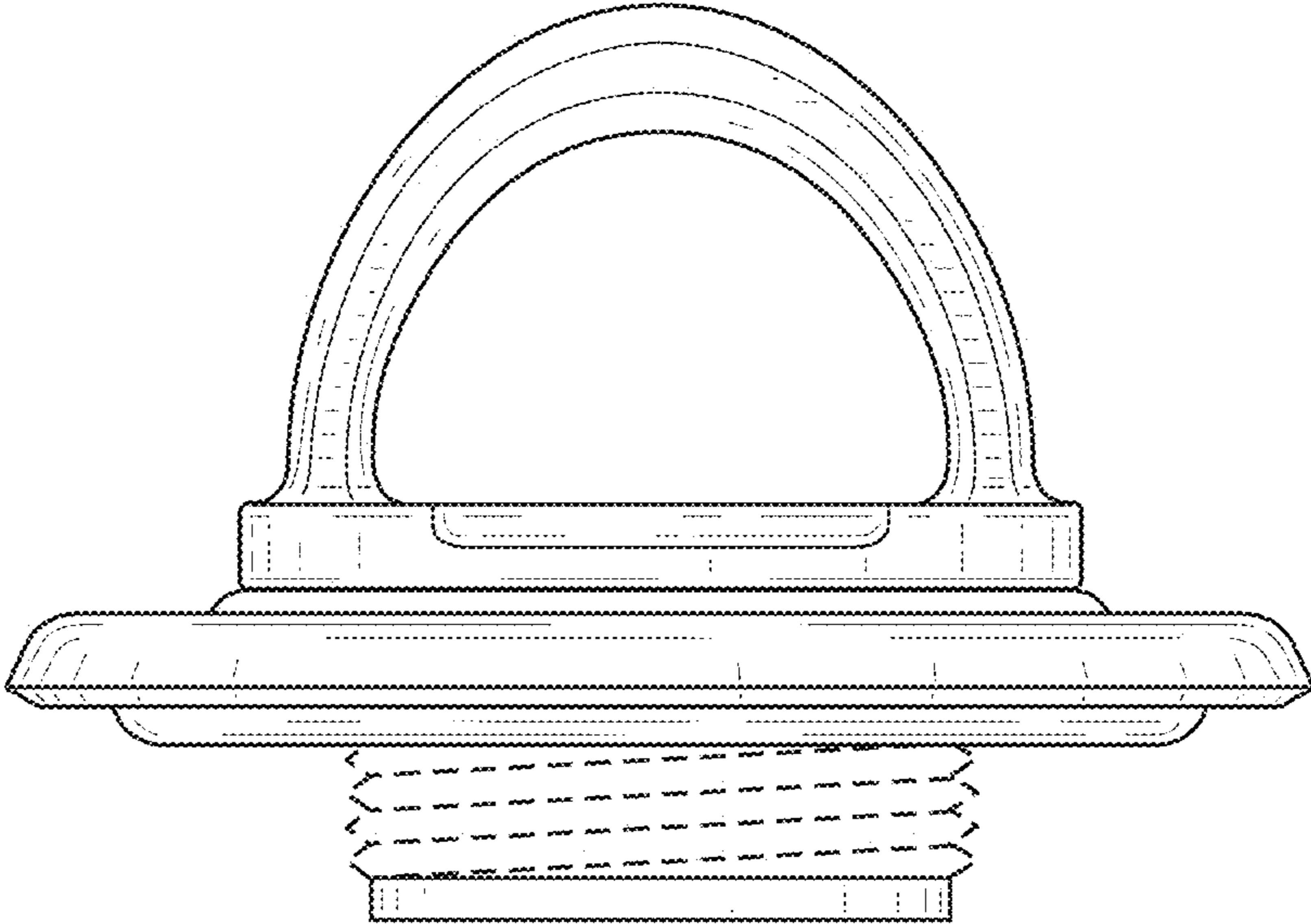


FIG. 4

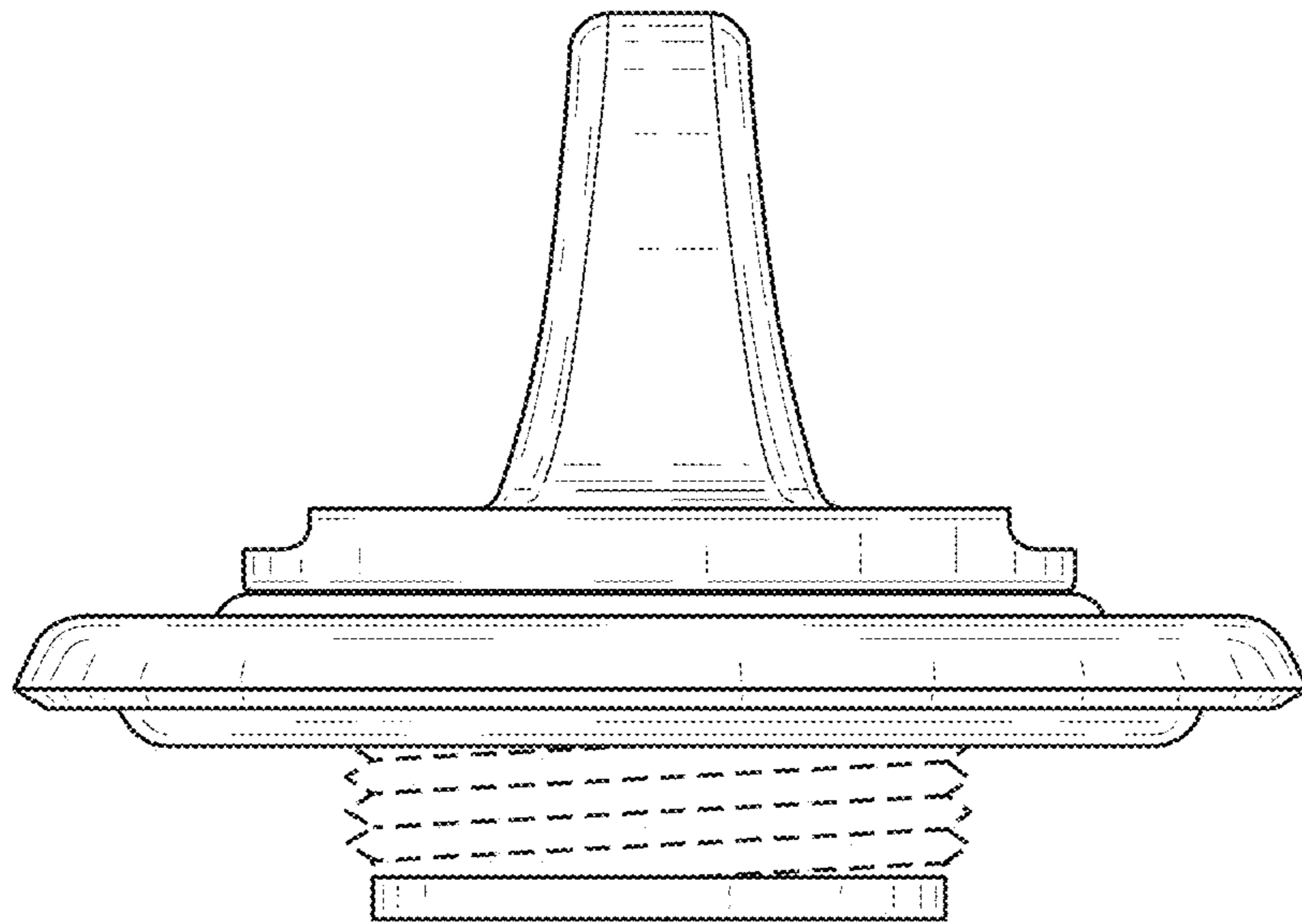


FIG. 5

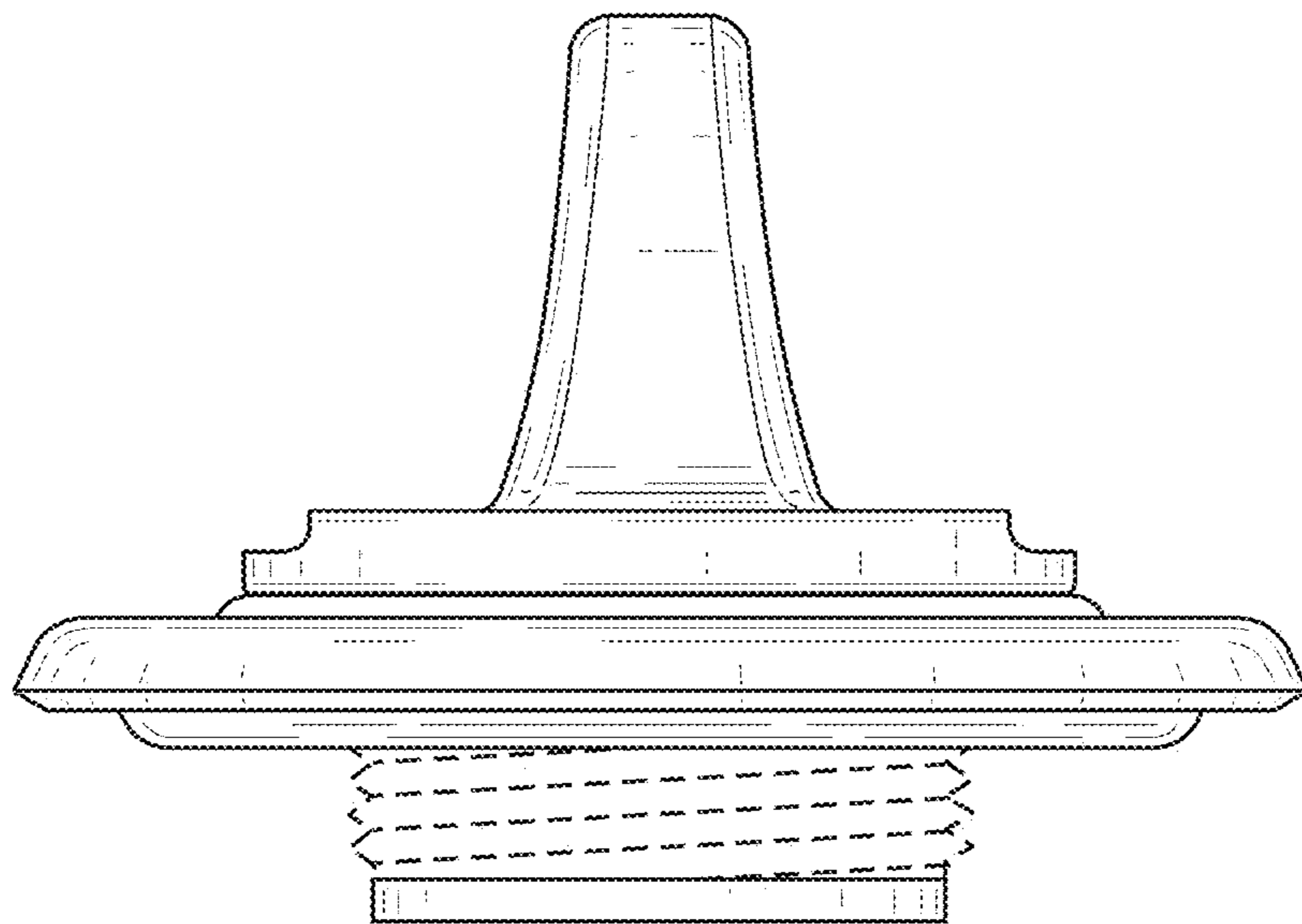


FIG. 6

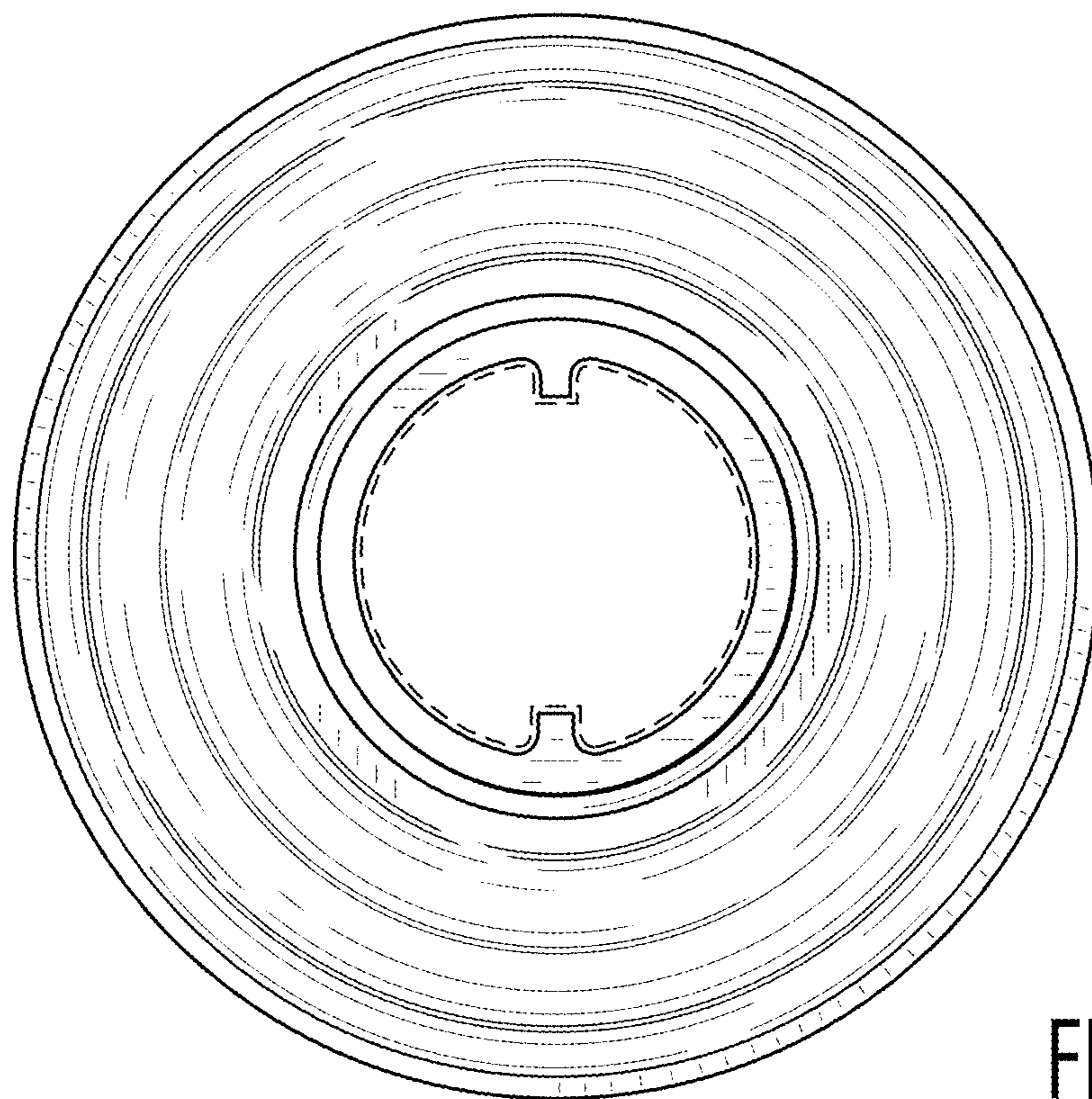


FIG. 7

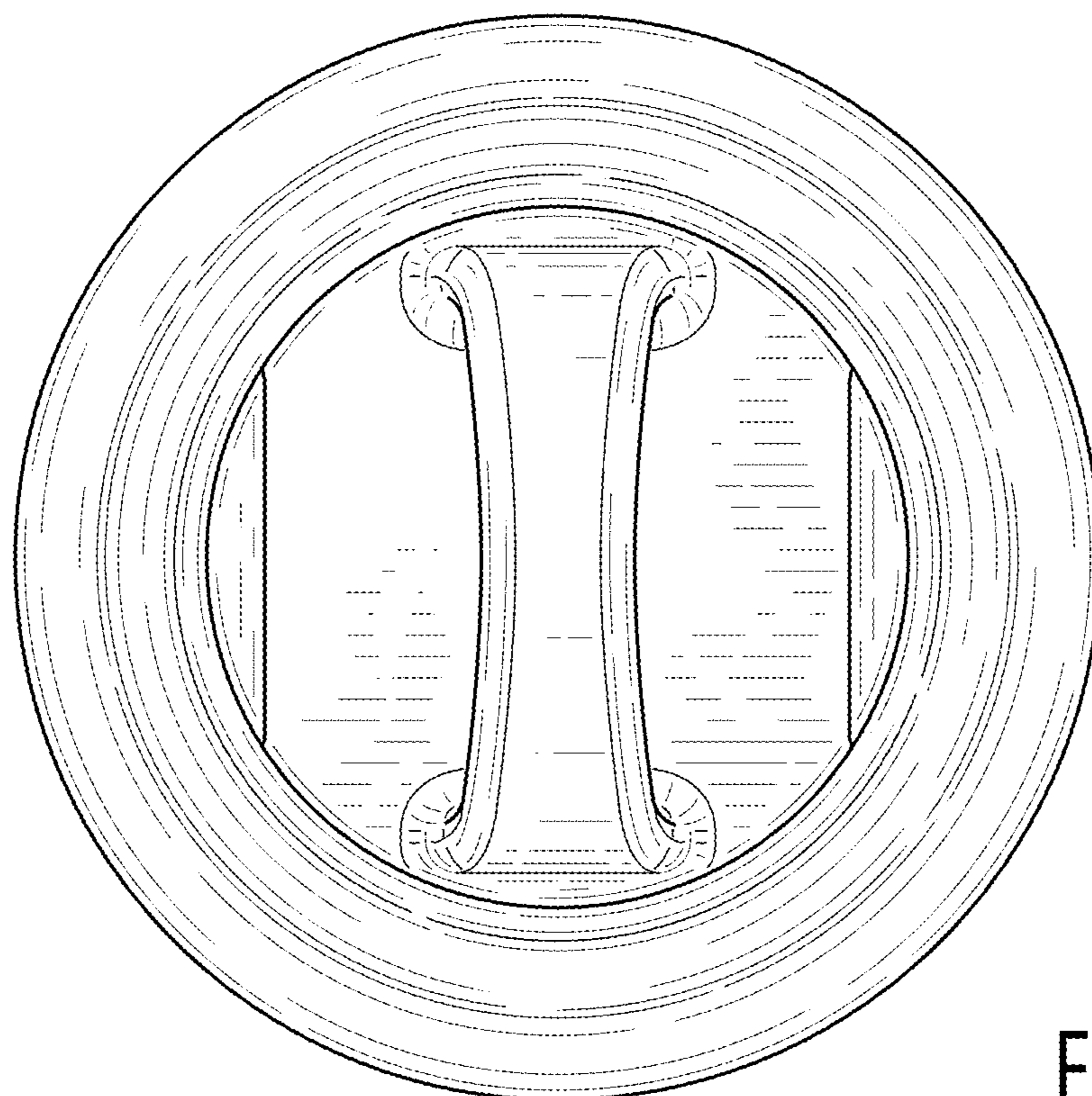


FIG. 8

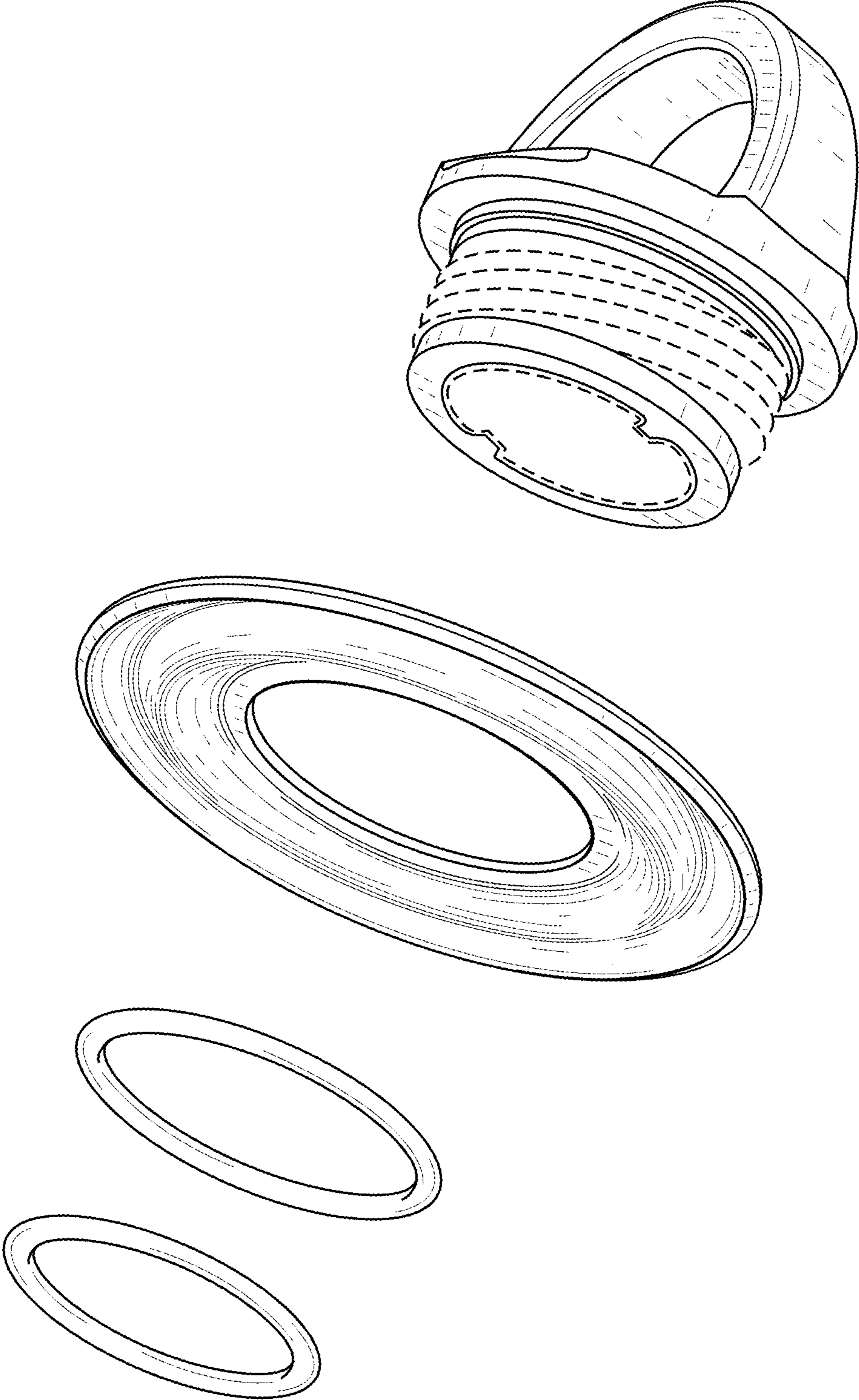


FIG. 9

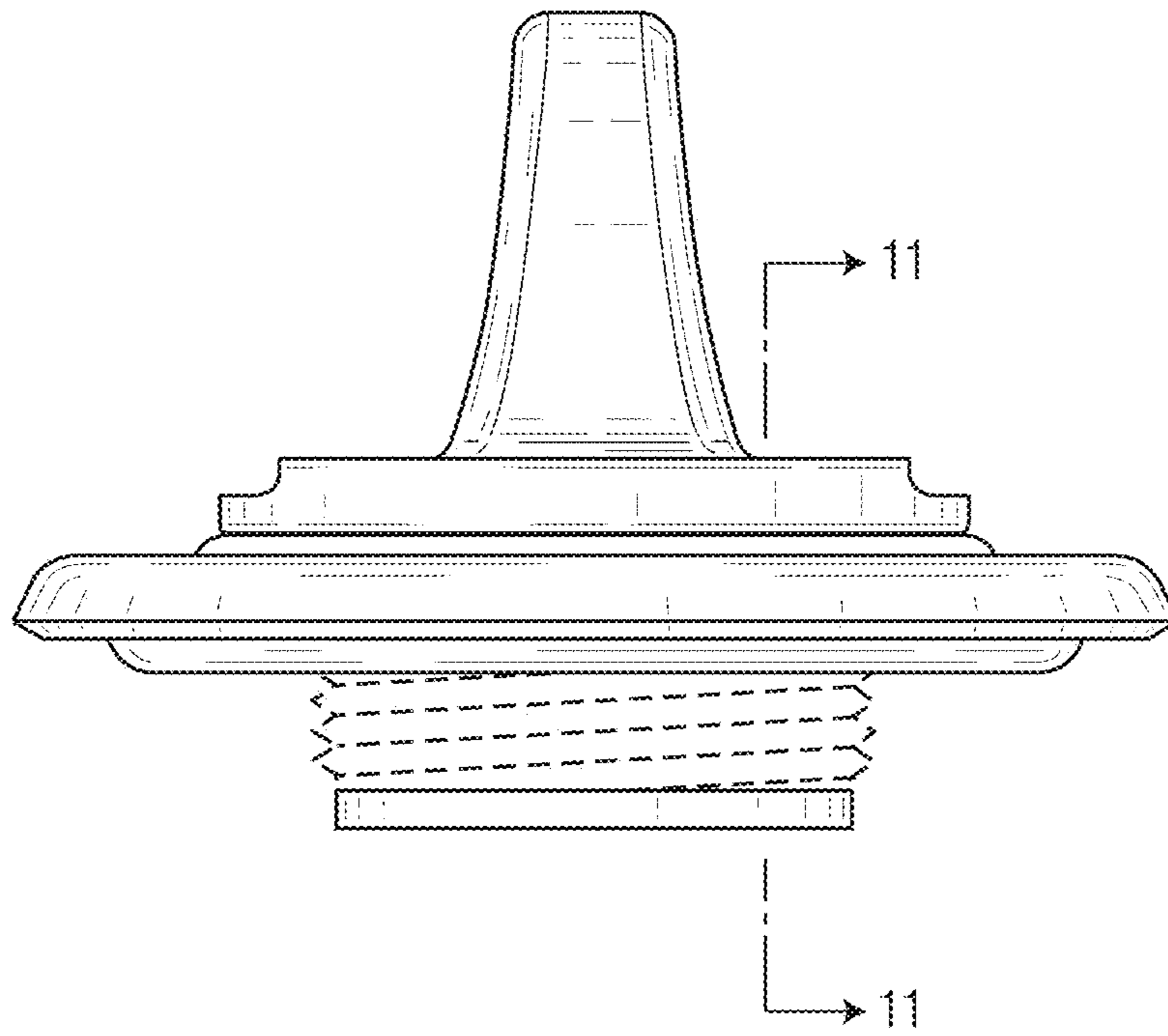


FIG. 10

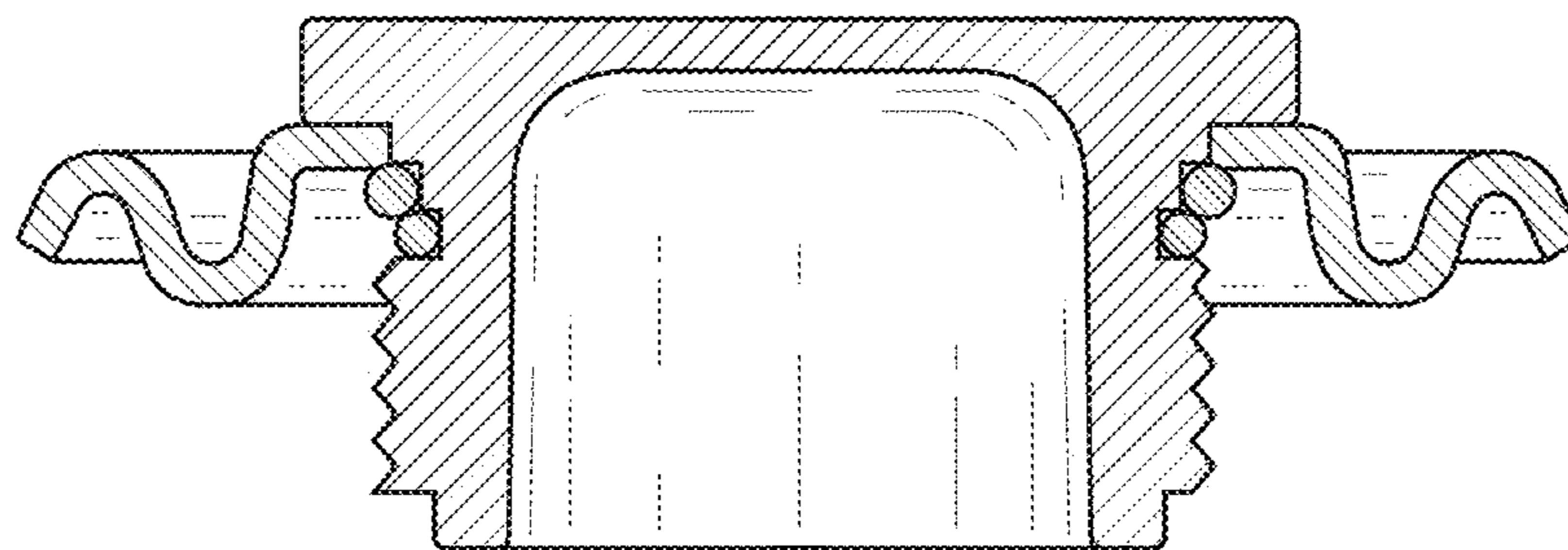


FIG. 11