



US00D902357S

(12) **United States Design Patent**
Eads

(10) **Patent No.:** **US D902,357 S**

(45) **Date of Patent:** **** Nov. 17, 2020**

(54) **FAUCET SPOUT**

D818,564 S * 5/2018 Garland D23/255
D856,492 S * 8/2019 Spangler D23/257

(71) Applicant: **DELTA FAUCET COMPANY**,
Indianapolis, IN (US)

* cited by examiner

(72) Inventor: **Thad Eads**, Urbana, IN (US)

Primary Examiner — Robert A Delehanty

(73) Assignee: **DELTA FAUCET COMPANY**,
Indianapolis, IN (US)

(74) *Attorney, Agent, or Firm* — Nirav D. Parikh; Edgar
A. Zarins

(**) Term: **15 Years**

(57) **CLAIM**

(21) Appl. No.: **29/680,012**

The ornamental design for a faucet spout, as shown and
described.

(22) Filed: **Feb. 12, 2019**

(51) **LOC (12) Cl.** **23-01**

(52) **U.S. Cl.**
USPC **D23/255**

(58) **Field of Classification Search**
USPC D23/238, 241–243, 249, 255, 257
CPC Y10T 137/9464; Y10T 137/6014; Y10T
137/6017

See application file for complete search history.

DESCRIPTION

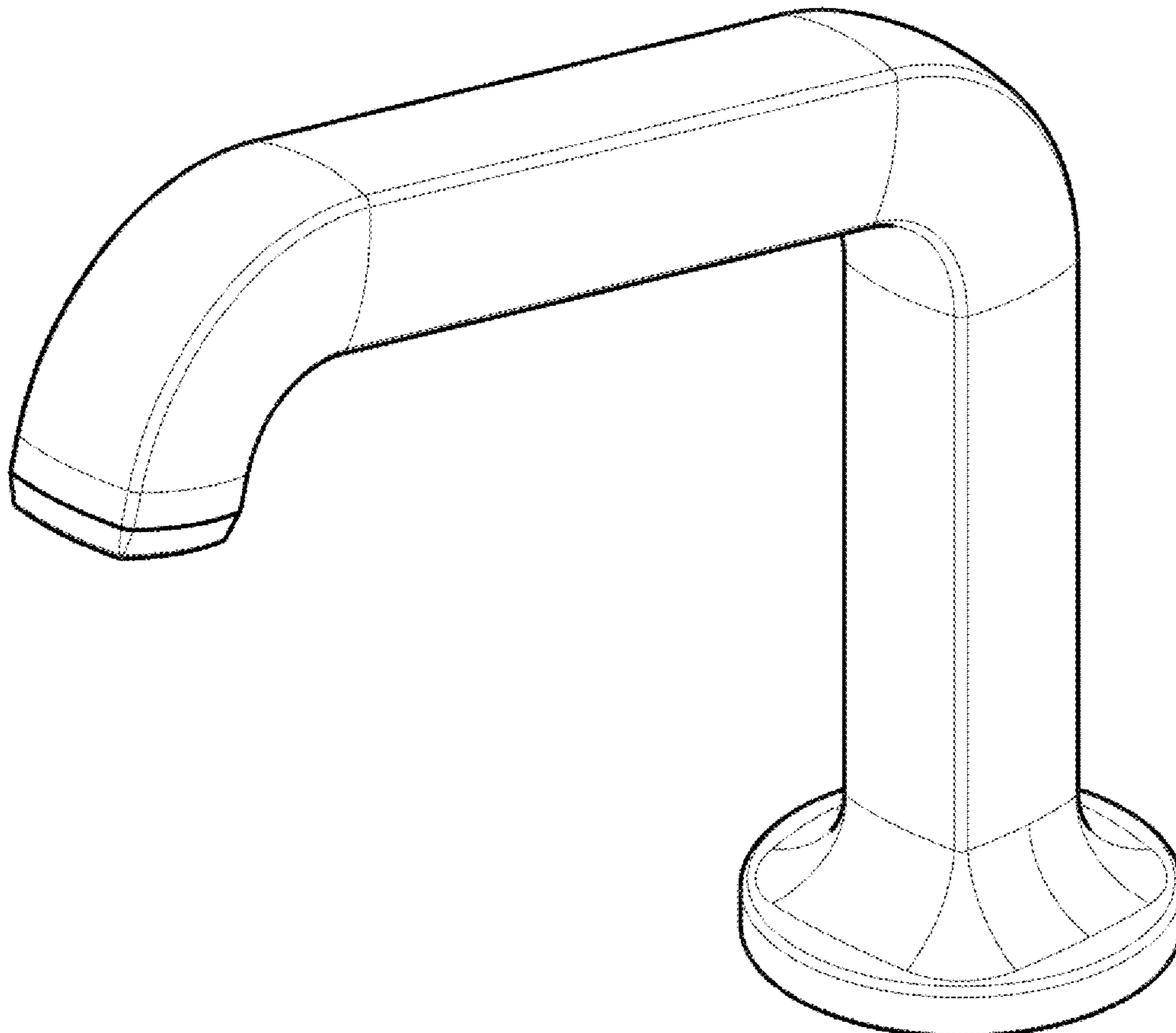
FIG. 1 is a first front perspective view of a faucet spout
showing my new design;
FIG. 2 is a second front perspective view thereof;
FIG. 3 is a right side view thereof;
FIG. 4 is a front elevational view thereof;
FIG. 5 is a left side view thereof;
FIG. 6 is a rear view thereof; and,
FIG. 7 is a top plan view thereof.

(56) **References Cited**

U.S. PATENT DOCUMENTS

D713,937 S * 9/2014 Fritz D23/242
D810,888 S * 2/2018 Schoenherr D23/255

1 Claim, 4 Drawing Sheets



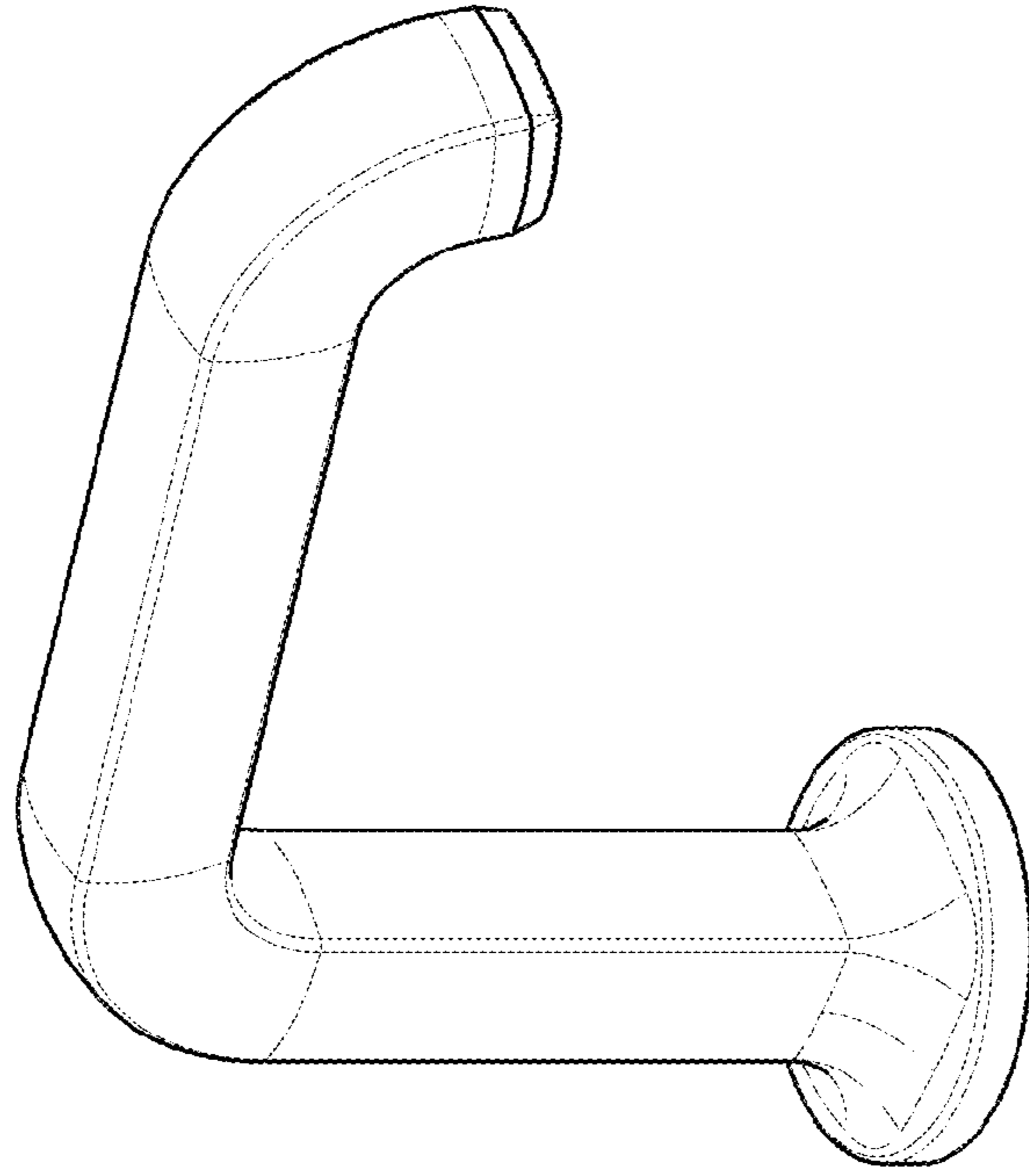


FIG-2

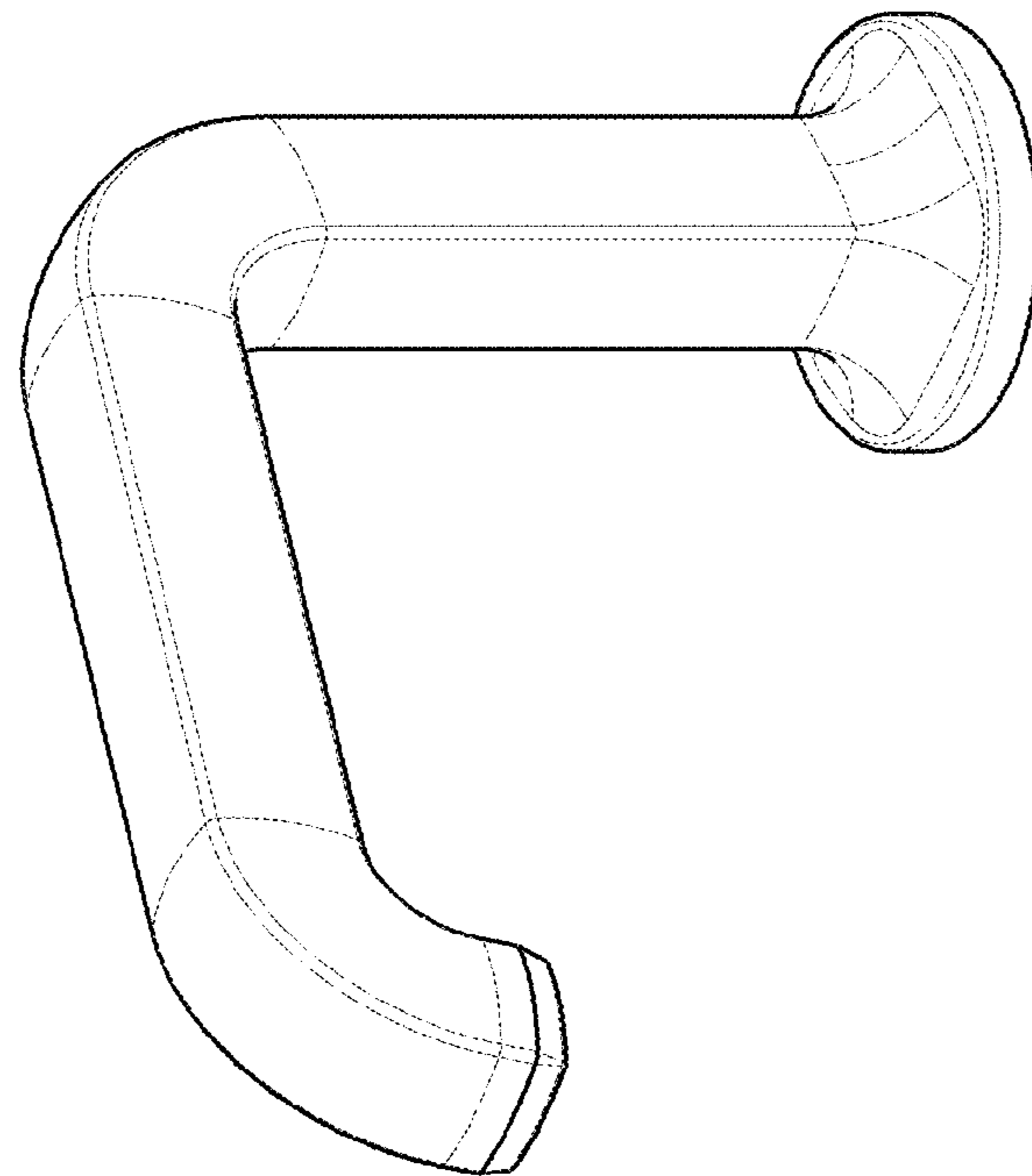


FIG-1

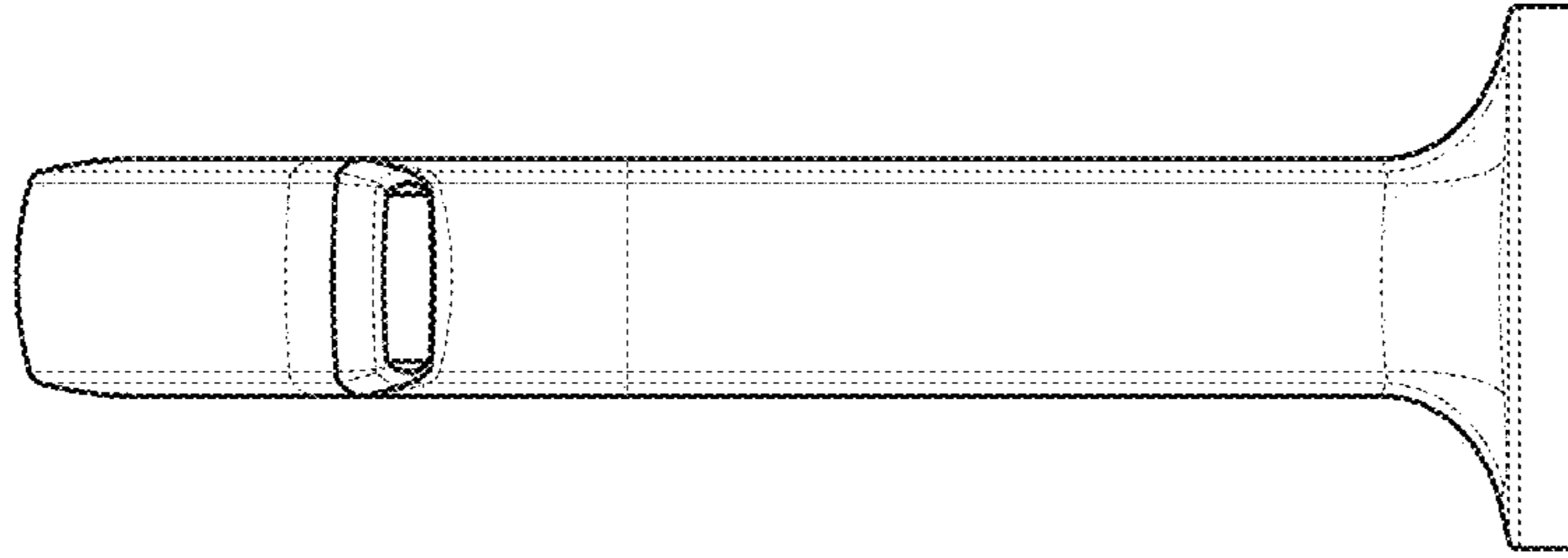


FIG-4

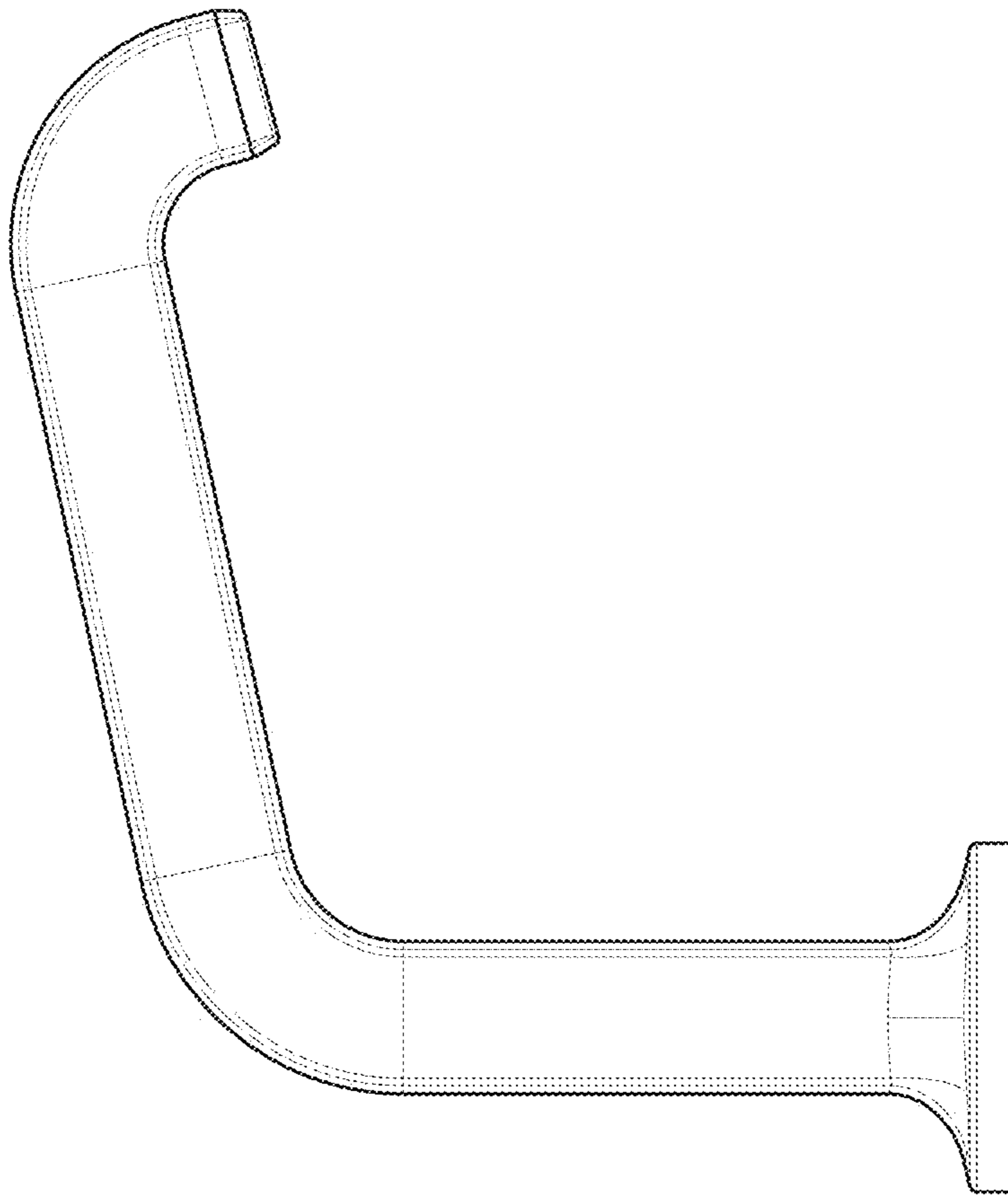


FIG-3

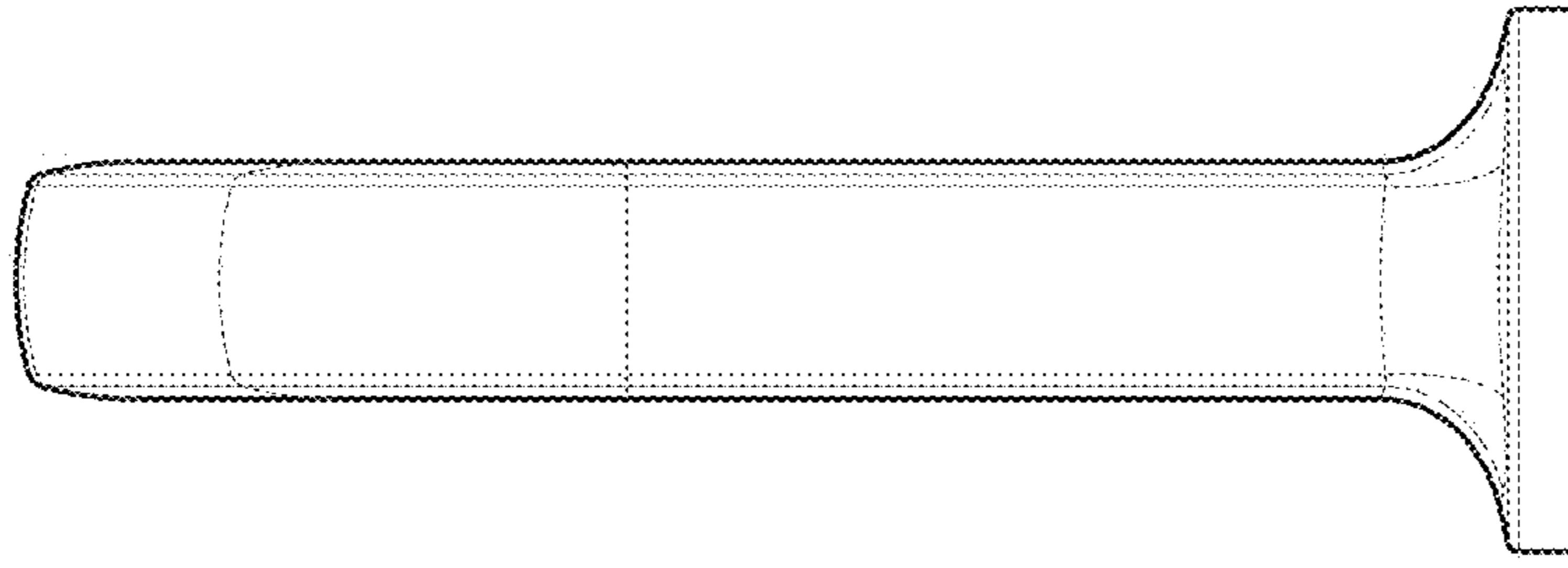


FIG-6

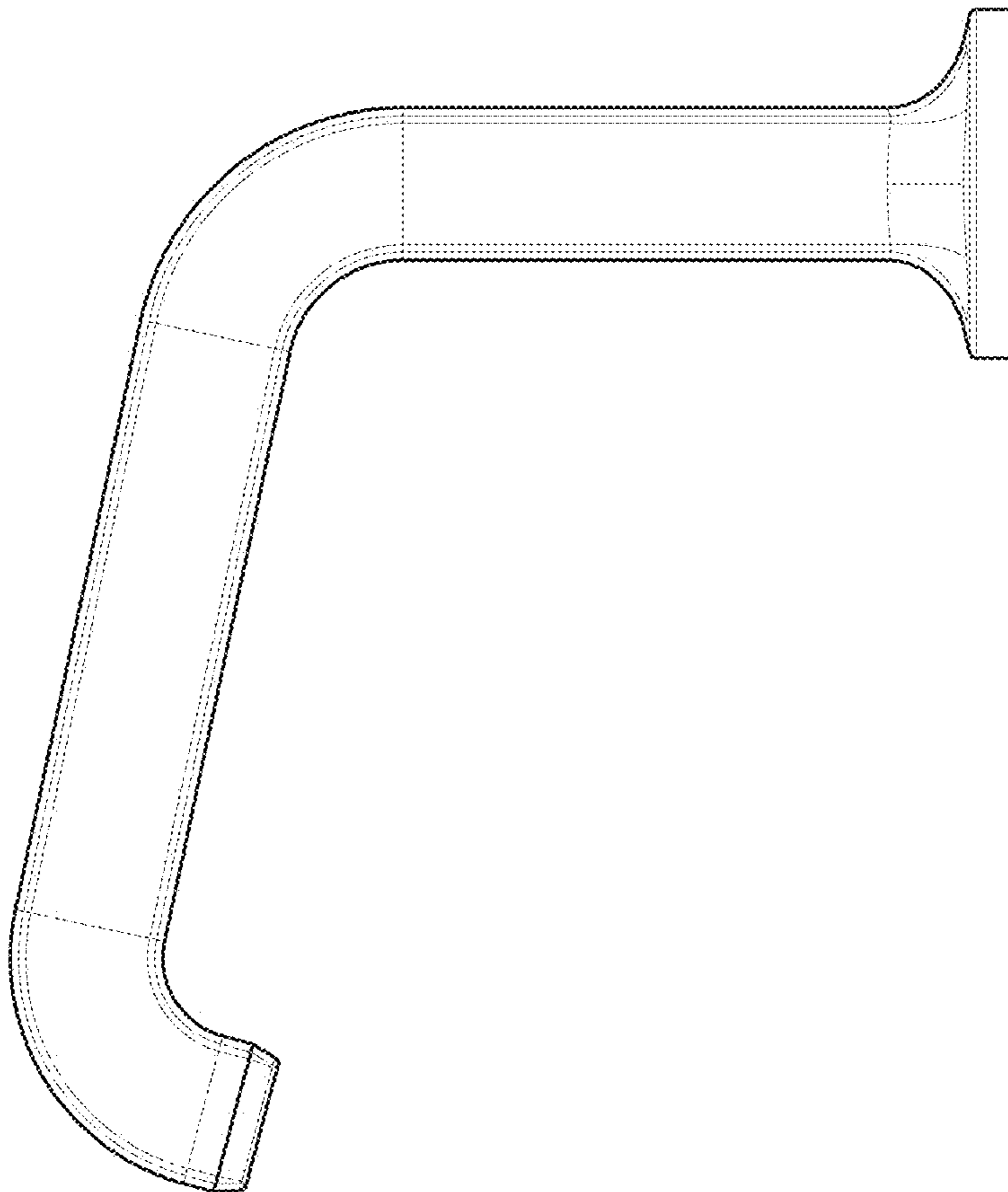


FIG-5

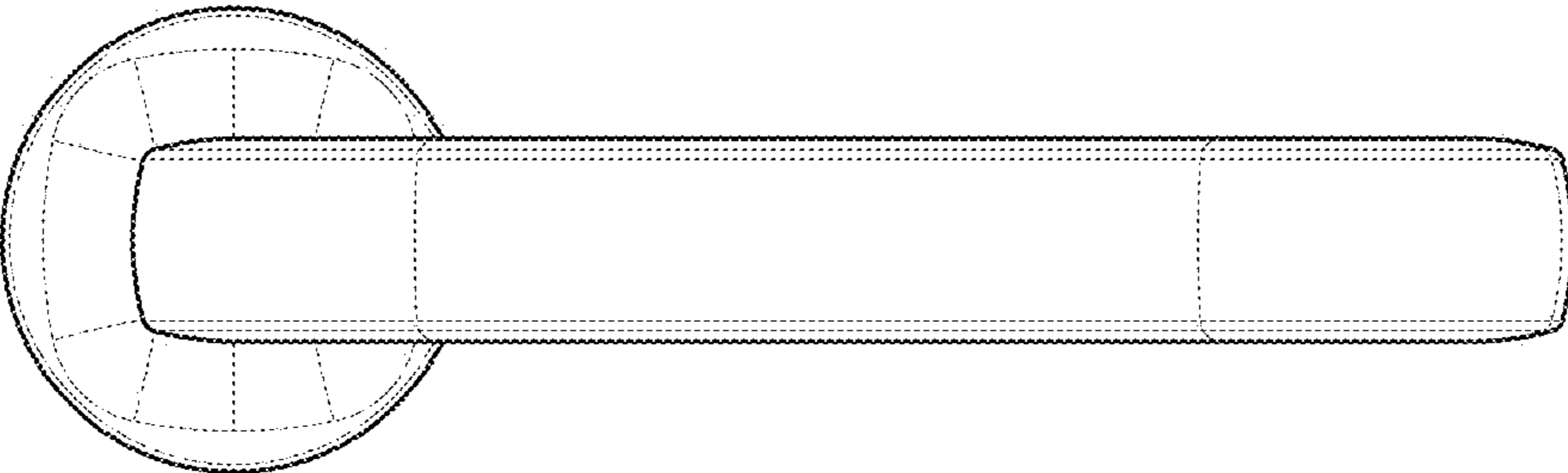


FIG-7