



US00D902356S

(12) **United States Design Patent** (10) **Patent No.:** **US D902,356 S**
Liu (45) **Date of Patent:** **** Nov. 17, 2020**

(54) **WALL MIXER**
(71) Applicant: **Phoenix Industries Pty Ltd,**
Bayswater, Victoria (AU)
(72) Inventor: **Ban Hsi Liu,** Bayswater (AU)
(73) Assignee: **Phoenix Industries Pty Ltd.,**
Bayswater (AU)

D580,525 S 11/2008 Citterio
D582,009 S 12/2008 Citterio
D601,229 S 9/2009 Schoenherr et al.
D617,425 S 6/2010 Lammel
D618,765 S 6/2010 Wang
D635,221 S 3/2011 Rubin
D636,065 S 4/2011 Schoenherr
D641,072 S 7/2011 Flowers

(Continued)

(**) Term: **15 Years**
(21) Appl. No.: **29/682,688**
(22) Filed: **Mar. 7, 2019**

FOREIGN PATENT DOCUMENTS

AU 308198 7/2006
AU 308199 7/2006

(Continued)

(30) **Foreign Application Priority Data**
Sep. 17, 2018 (AU) 201815563
(51) **LOC (12) Cl.** **23-01**
(52) **U.S. Cl.**
USPC **D23/254**
(58) **Field of Classification Search**
USPC D23/250, 252, 254, 238-243, 249;
D8/307-308, 353
CPC E03C 1/0408; E03C 1/09; E03C 1/042;
E03C 1/0412
See application file for complete search history.

OTHER PUBLICATIONS

TOI Basin Mixer, Phoenix Tapware, Showers & Accessories, <http://www.phoenixtapware.com.au/products/toi-basin-mixer>, known at least as early as Oct. 25, 2016, 3 pgs.

(Continued)

Primary Examiner — Robert A Delehanty
(74) *Attorney, Agent, or Firm* — Womble Bond Dickinson (US) LLP

(56) **References Cited**
U.S. PATENT DOCUMENTS

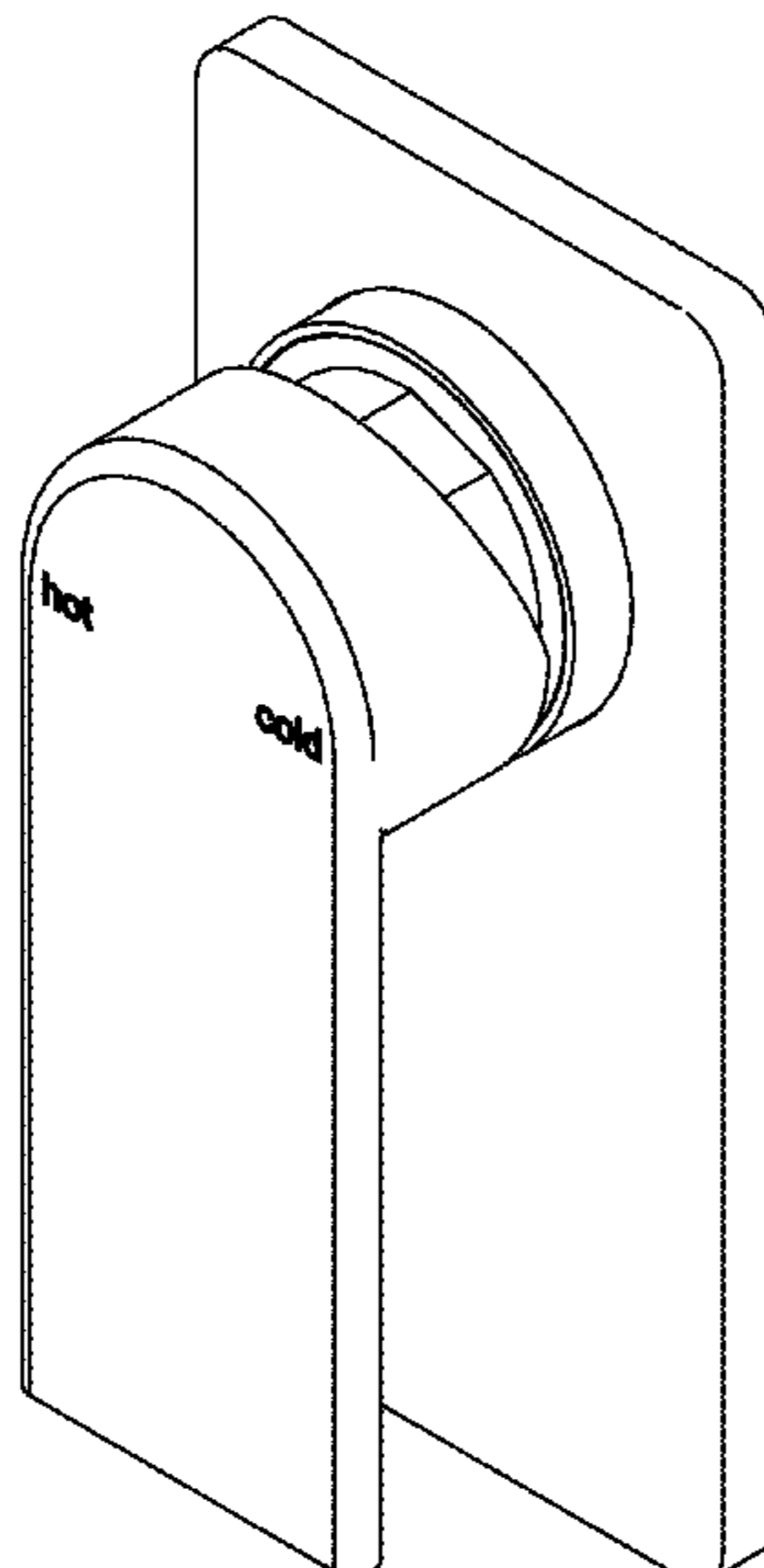
D441,851 S 5/2001 Starck
D466,979 S 12/2002 Shulz
D481,445 S 10/2003 Haug
D492,011 S 6/2004 Blattner
D525,342 S 7/2006 Starck
D527,807 S 9/2006 Haug
D532,866 S 11/2006 Kirar
D533,924 S 12/2006 Kirar
D548,308 S 8/2007 Hoernig
D575,848 S 8/2008 Kirar
D577,418 S 9/2008 Lammel

(57) **CLAIM**
The ornamental design for a wall mixer, as shown and described.

DESCRIPTION

FIG. 1 is a perspective view of a wall mixer according to my new design;
FIG. 2 is a front view thereof;
FIG. 3 is a right side view thereof, the left side view being a mirror image thereof;
FIG. 4 is a top view thereof; and,
FIG. 5 is a bottom view thereof.
The views not shown form no part of the claimed design.

1 Claim, 3 Drawing Sheets



(56)

References Cited

U.S. PATENT DOCUMENTS

D647,176 S 10/2011 Liao
 D647,179 S 10/2011 Flowers
 D647,601 S 10/2011 Liao
 D659,167 S 5/2012 Cocks
 D665,479 S 8/2012 Cocks
 D685,878 S 7/2013 Fritz
 D697,588 S 1/2014 Schoenherr
 D704,304 S 5/2014 Schoenherr
 D708,714 S 7/2014 Georgeson
 D713,941 S 9/2014 Hundley
 D737,936 S 9/2015 Pony
 D739,501 S 9/2015 Flowers
 D740,395 S 10/2015 Flowers
 D757,223 S 5/2016 Schoenherr
 D757,225 S 5/2016 Schoenherr
 D757,903 S 5/2016 Schoenherr
 D767,733 S 9/2016 Hong
 D782,013 S 3/2017 Eads
 D787,020 S 5/2017 Ziemann
 D791,919 S 7/2017 Schoenherr
 D799,641 S 10/2017 Sieger
 D799,642 S 10/2017 Sieger
 D800,274 S 10/2017 Andrew
 D802,101 S 11/2017 Kirar
 D810,238 S 2/2018 Schoenherr
 D810,244 S 2/2018 Schoenherr et al.
 D810,890 S 2/2018 Takayama
 D811,528 S 2/2018 Schoenherr
 D811,531 S 2/2018 Schoenherr
 D813,986 S 3/2018 Schoenherr
 D813,988 S 3/2018 Schoenherr
 D819,181 S * 5/2018 Citterio D23/254
 D822,798 S 7/2018 Sieger
 D828,511 S 9/2018 Liu et al.
 D828,512 S 9/2018 Liu et al.
 D828,515 S 9/2018 Seum
 D828,516 S 9/2018 Liu et al.
 D828,909 S 9/2018 Liu et al.
 D831,164 S 10/2018 Garuti
 D834,683 S 11/2018 Schoenherr
 D837,941 S 1/2019 L'Henaff
 D839,997 S 2/2019 Cummings
 D846,077 S 4/2019 Liu
 D846,079 S 4/2019 Garland
 D846,699 S 4/2019 L'Henaff
 D846,701 S 4/2019 Liu
 D846,702 S 4/2019 Liu

D855,762 S 8/2019 Stuart
 D855,769 S 8/2019 Eads
 D856,490 S 8/2019 Seum
 D859,588 S 9/2019 Meyers
 D859,593 S 9/2019 Pan
 D859,602 S 9/2019 Bahler
 D860,397 S 9/2019 Diefenbach
 D860,406 S 9/2019 Vish
 D865,132 S 10/2019 Hoogendoorn et al.
 D865,133 S 10/2019 Hoogendoorn et al.
 D866,715 S 11/2019 Liu et al.
 2016/0265201 A1 9/2016 Hoogendoorn et al.

FOREIGN PATENT DOCUMENTS

AU 308201 7/2006
 AU 308202 7/2006
 AU 314560 6/2007
 AU 314563 6/2007
 AU 321286 10/2008
 AU 328364 11/2009
 AU 328365 11/2009
 AU 334096 12/2010
 AU 336356 5/2011
 AU 336357 5/2011
 AU 337781 7/2011
 AU 337782 7/2011
 AU 344493 9/2012
 AU 344494 9/2012
 AU 350490 8/2013
 AU 355991 6/2014
 AU 355992 6/2014
 AU 355993 6/2014
 AU 355994 6/2014
 AU 357542 9/2014
 AU 357840 9/2014
 AU 357842 9/2014
 AU 357843 9/2014

OTHER PUBLICATIONS

TOI Wall Basin/Bath Mixer Set, <http://www.phoenixtapware.com.au/toi-wall-basin-mixer-set180mm>, known at least as early as Oct. 25, 2016, 3 pgs.
 TOI Sink Mixer Squareline, Phoenix Tapware, Showers & Accessories, <http://www.phoenixtapware.com.au/toi-sink-mixer-180mm-squareline>, known at least as early as Oct. 25, 2016, 3 pgs.

* cited by examiner

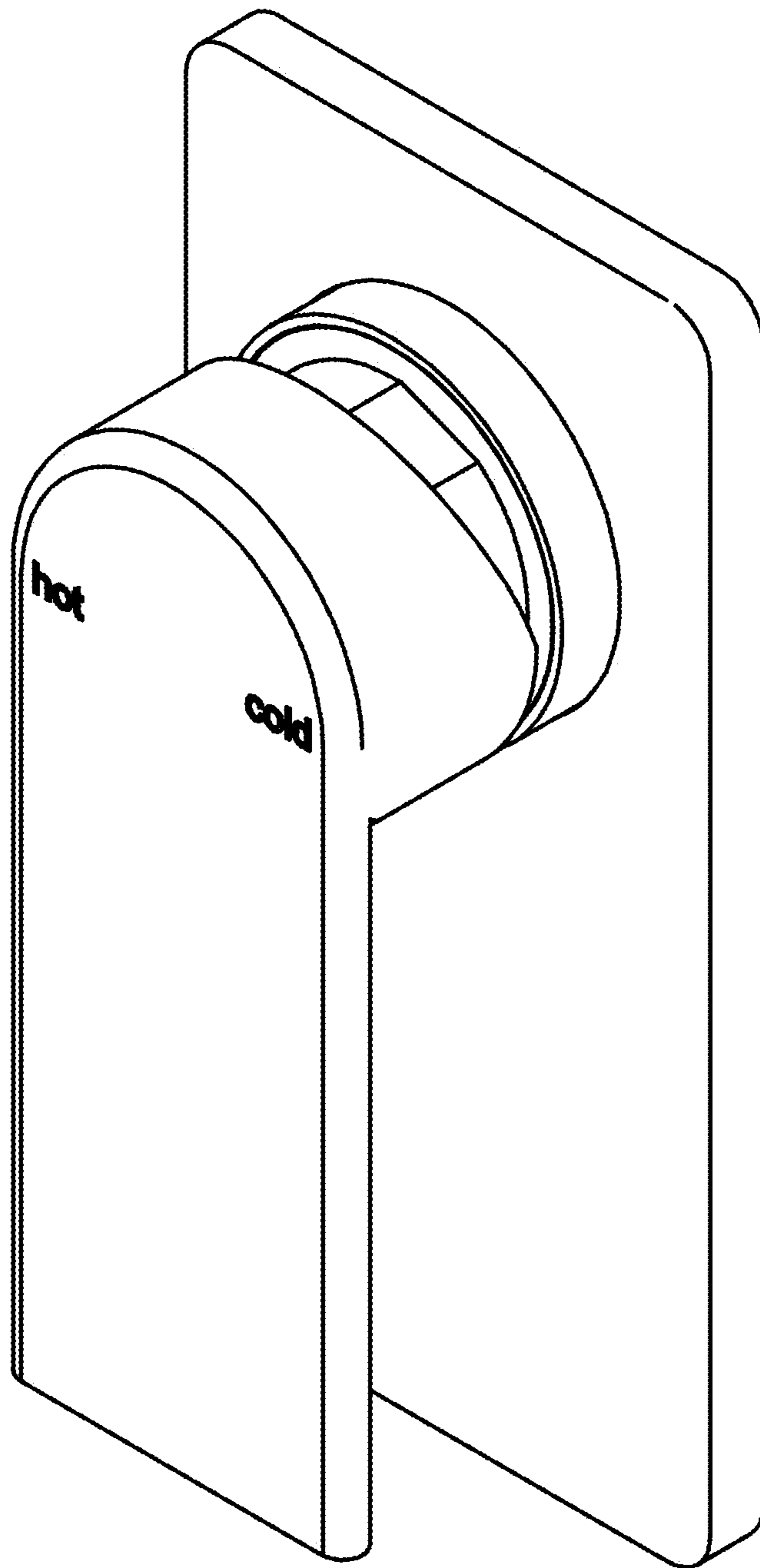


FIG. 1

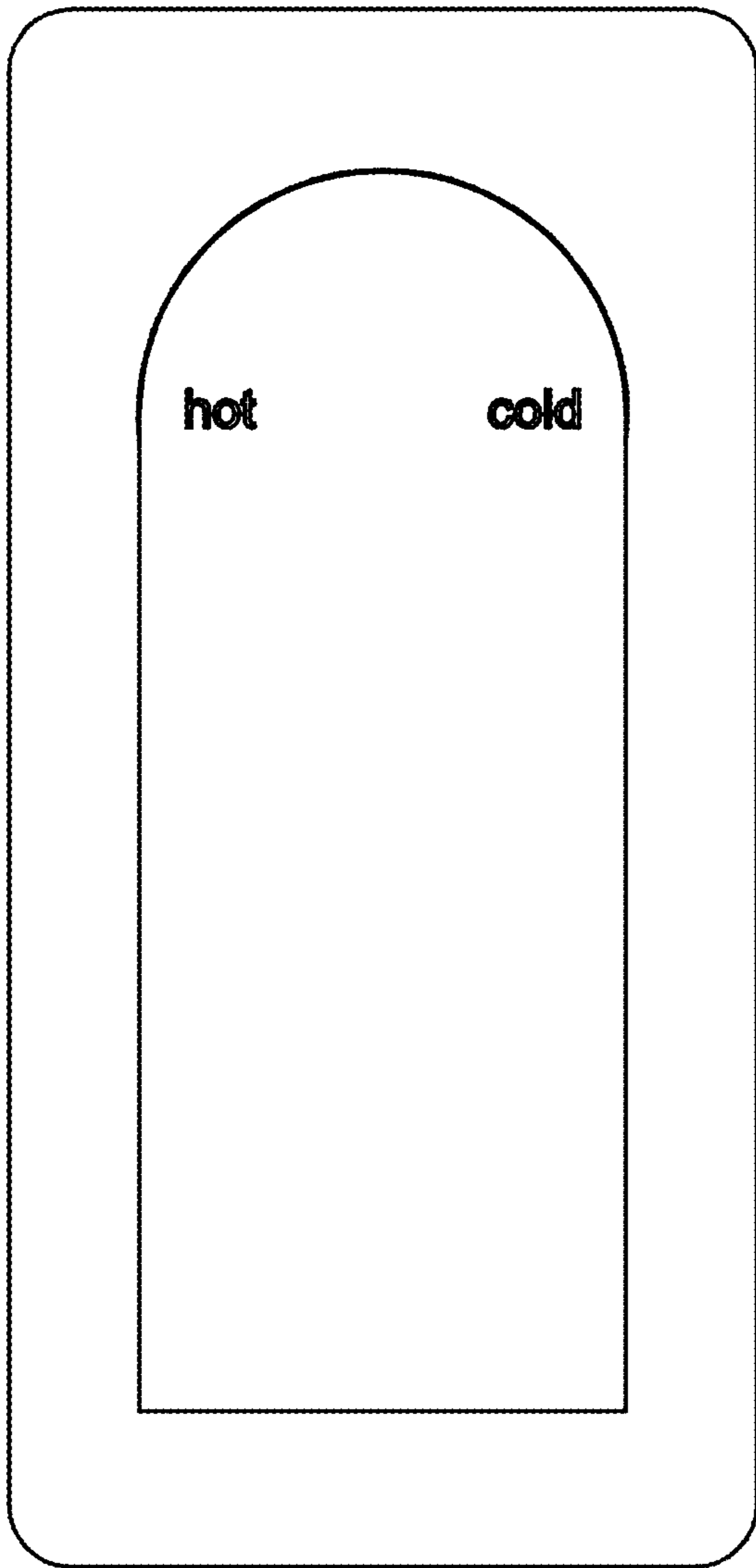


FIG. 2

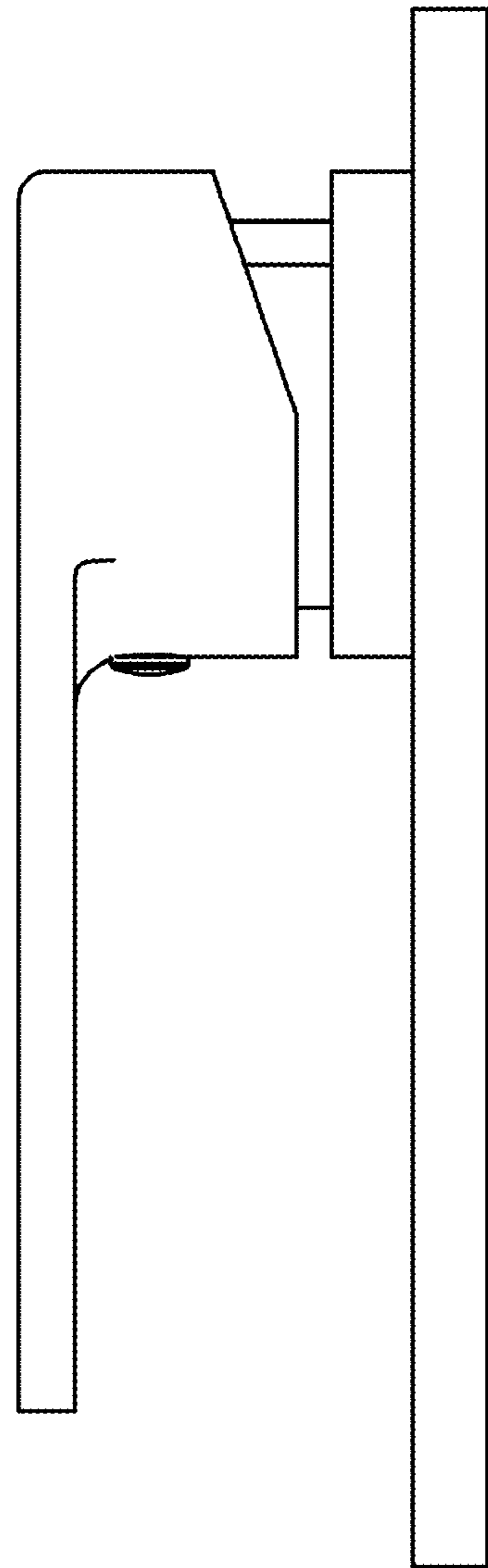


FIG. 3

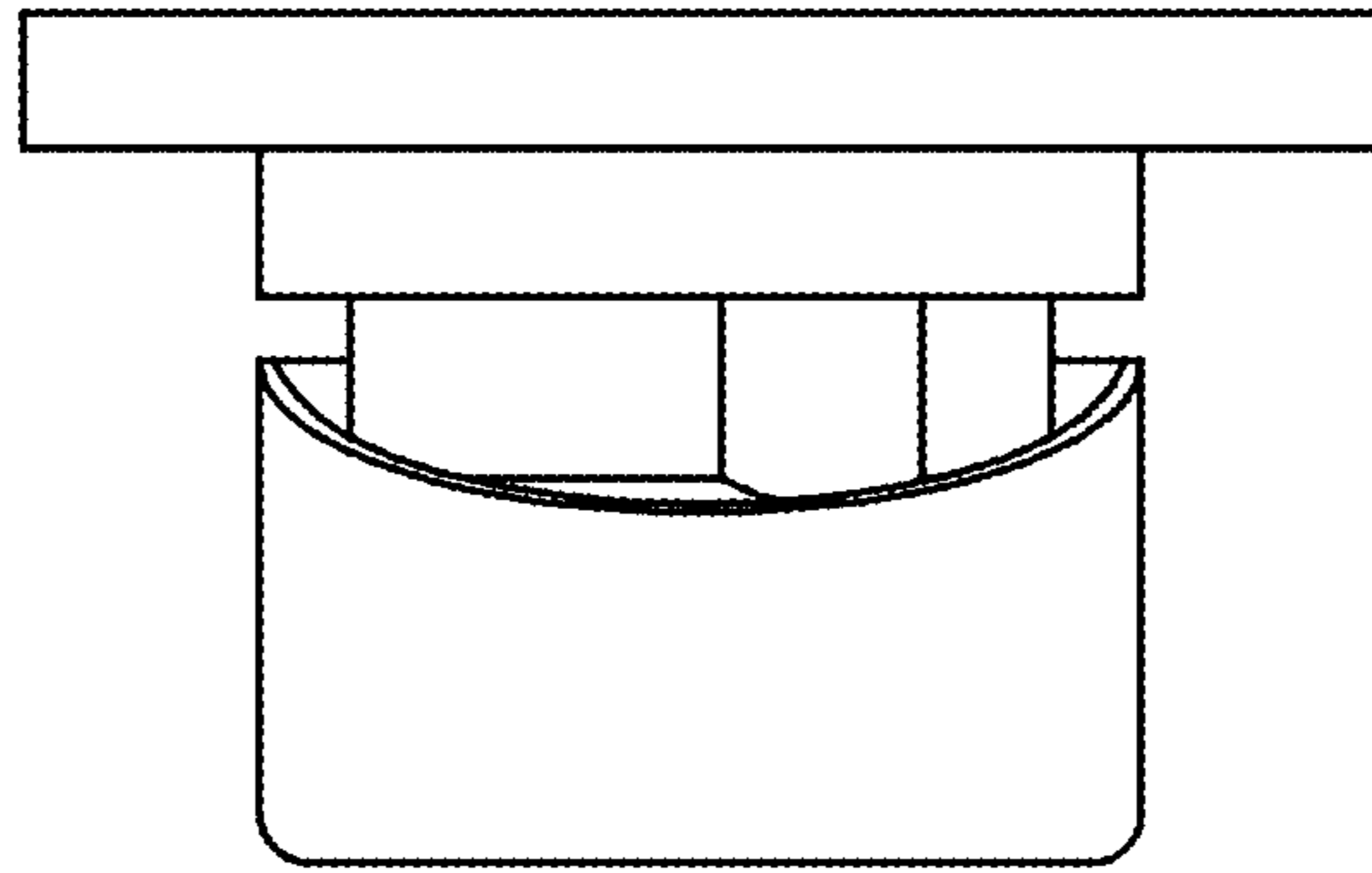


FIG. 4

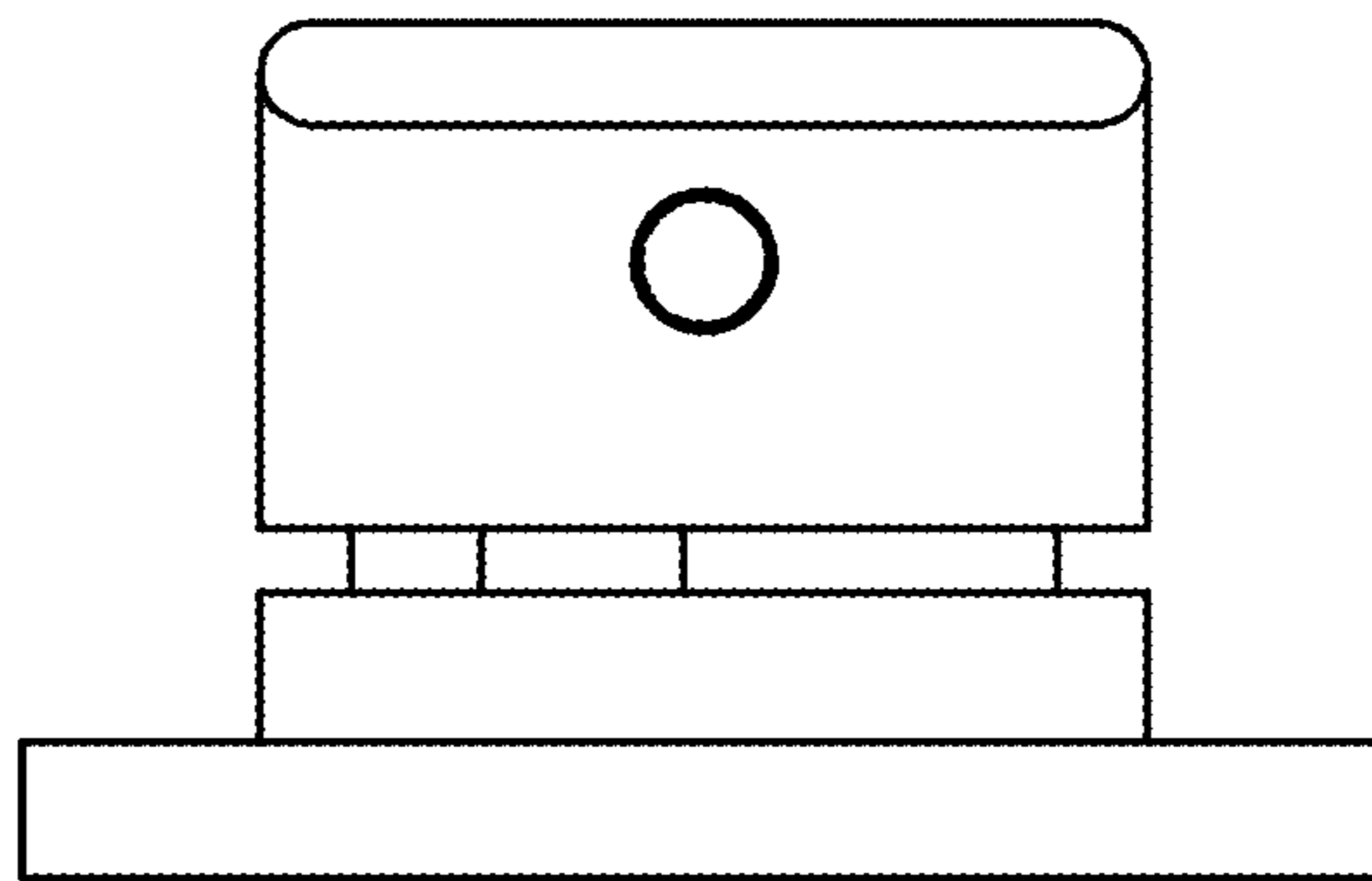


FIG. 5