



US00D902353S

(12) **United States Design Patent** (10) **Patent No.:** **US D902,353 S**
Yamamoto et al. (45) **Date of Patent:** **** Nov. 17, 2020**

(54) **VALVE FOR OIL CHANGE OR THE LIKE**

Primary Examiner — Gino Colan

(71) Applicant: **FUMOTO GIKEN CO., LTD.**,
Kanagawa (JP)

(74) *Attorney, Agent, or Firm* — Andrew Morabito

(72) Inventors: **Ryohei Yamamoto**, Kanagawa (JP);
Yuho Yamamoto, Kanagawa (JP);
Naoyuki Yamamoto, Kanagawa (JP)

(57) **CLAIM**

The ornamental design for a valve for oil change or the like,
as shown and described.

(**) Term: **15 Years**

(21) Appl. No.: **29/683,308**

DESCRIPTION

(22) Filed: **Mar. 12, 2019**

(51) **LOC (12) Cl.** **23-01**

(52) **U.S. Cl.**
USPC **D23/245**

(58) **Field of Classification Search**
USPC D23/233, 235, 241, 245, 246, 249;
137/1, 59, 377, 315.18, 315.35, 625.5,
137/625.27, 625.44, 625.48, 385, 382,
137/549, 315.2, 315.37
CPC F16K 39/06; F16K 5/06; F16K 37/0075
See application file for complete search history.

FIG. 1 is an upper perspective view of a closed valve in accordance with the present invention.
FIG. 2 is a lower perspective view thereof.
FIG. 3 is a front view thereof.
FIG. 4 is a rear view thereof
FIG. 5 is a left view thereof
FIG. 6 is a right view thereof.
FIG. 7 is a top view thereof.
FIG. 8 is a bottom view thereof.
FIG. 9 is an upper perspective view of an open valve in accordance with the present invention.
FIG. 10 is a lower perspective view thereof.
FIG. 11 is a front view thereof.
FIG. 12 is a rear view thereof.
FIG. 13 is a left view thereof
FIG. 14 is a right view thereof.
FIG. 15 is a top view thereof; and,
FIG. 16 is a bottom view thereof.
The broken lines shown in the figures are for the purpose of illustrating portions of the valve for oil change or the like and form no part of the claimed design.

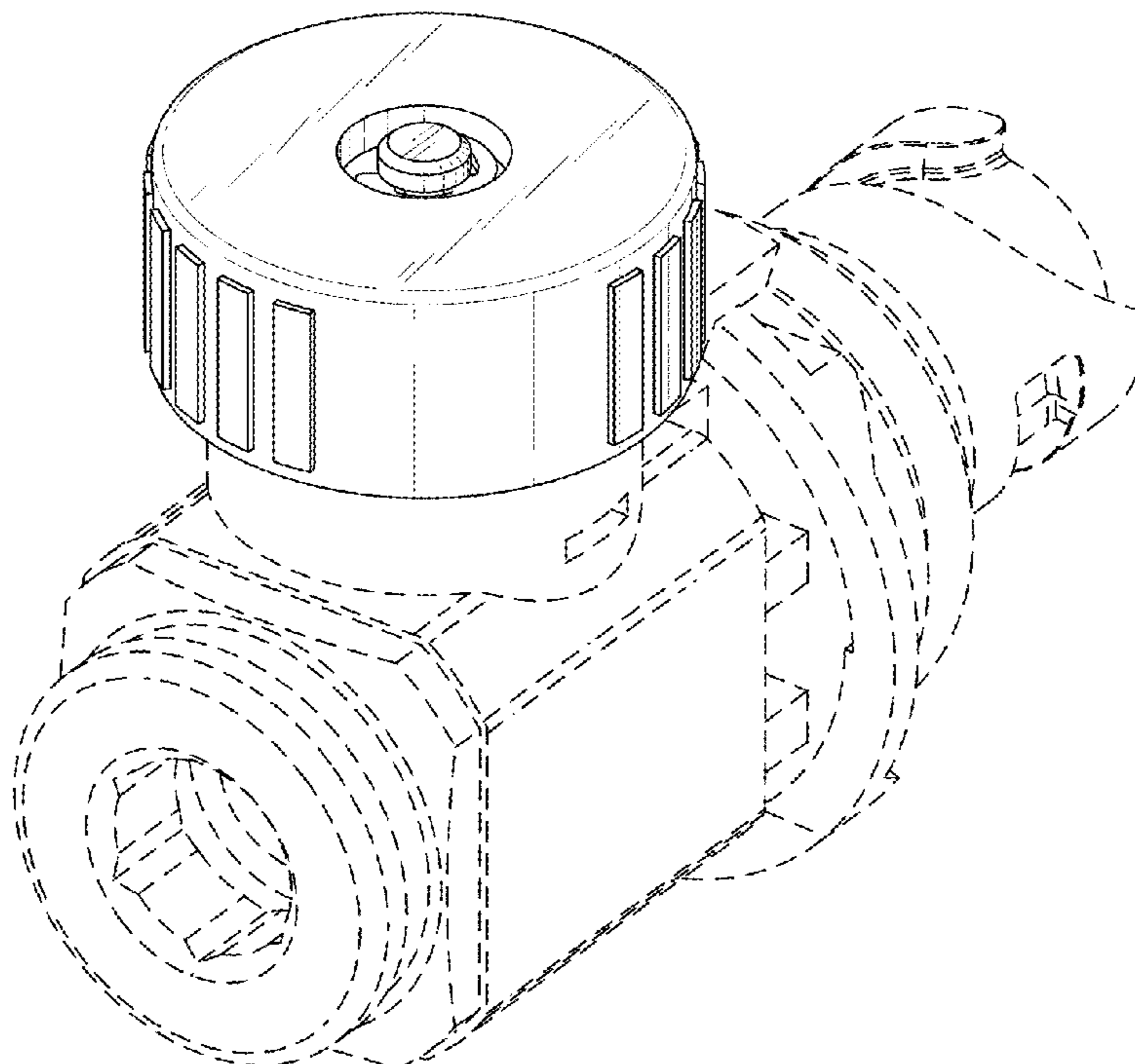
(56) **References Cited**

U.S. PATENT DOCUMENTS

D783,778 S *	4/2017	Yamamoto	D23/245
D790,040 S *	6/2017	Yamamoto	D23/245
9,752,702 B2 *	9/2017	Yamamoto	E03B 7/12
D812,194 S *	3/2018	Yamamoto	D23/245
D858,713 S *	9/2019	Shinozaki	D23/245
D871,551 S *	12/2019	Shinozaki	D23/245
D872,236 S *	1/2020	Shinozaki	D23/245

* cited by examiner

1 Claim, 16 Drawing Sheets



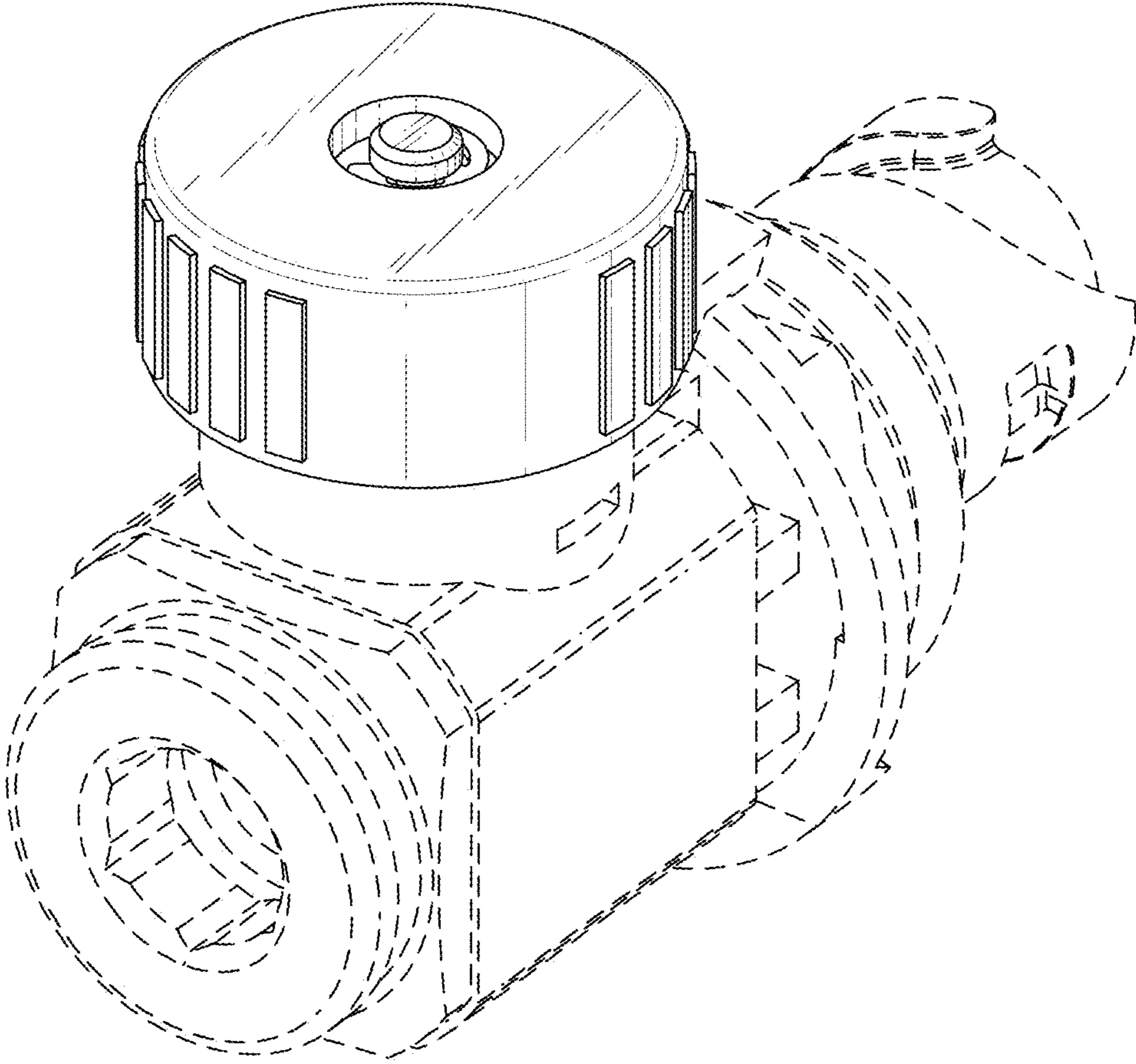


FIG. 1

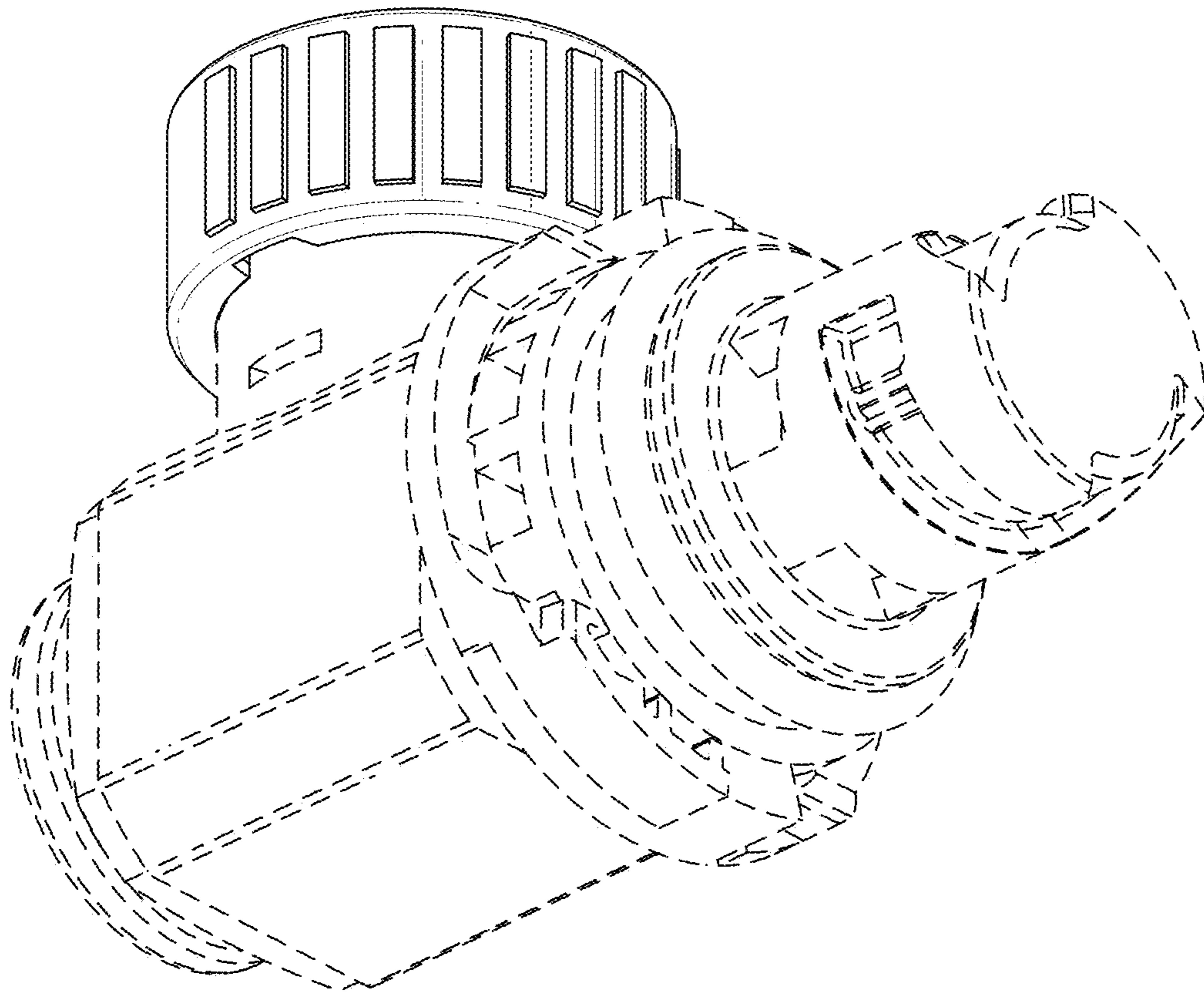


FIG. 2

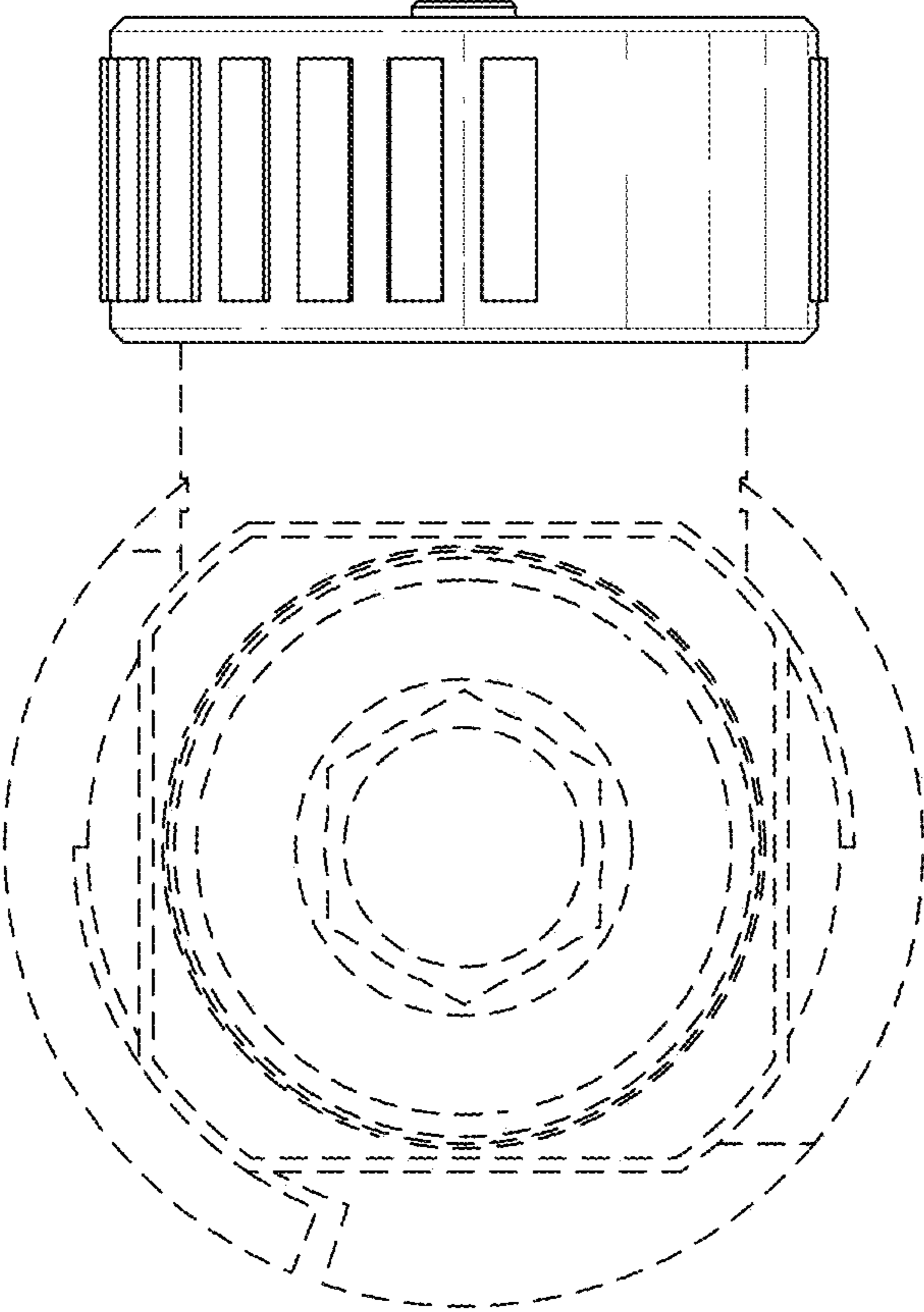


FIG. 3

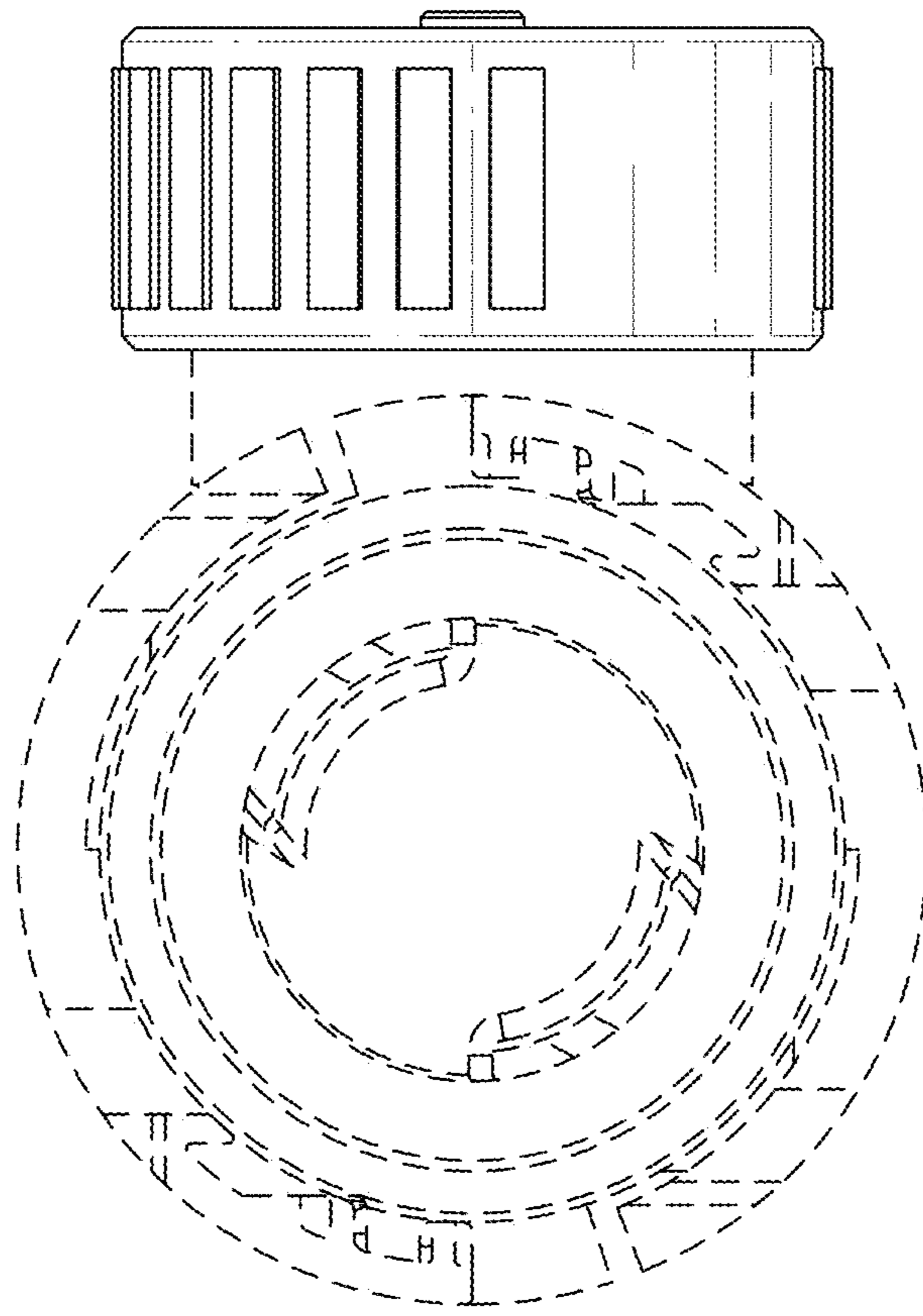


FIG. 4

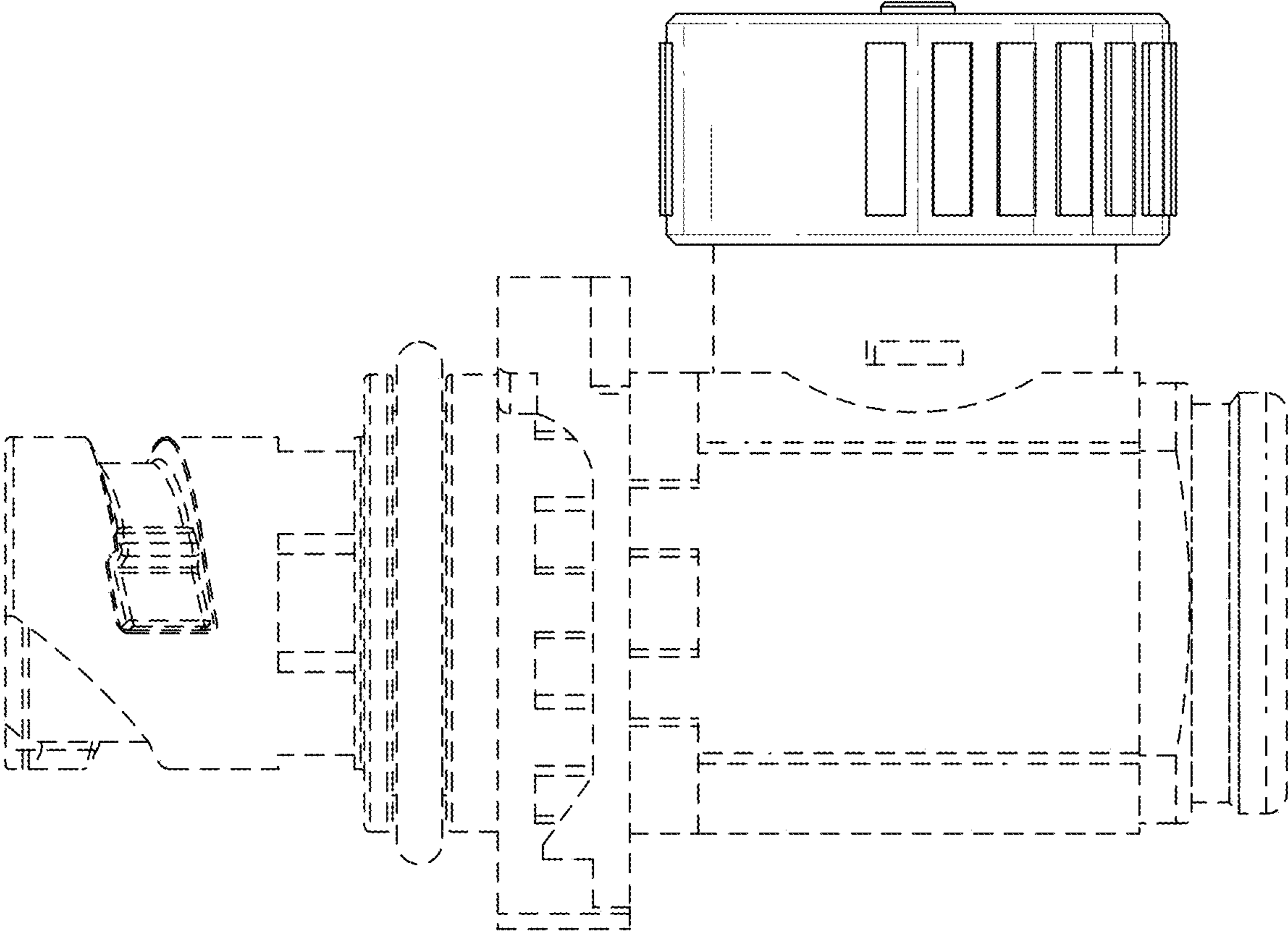


FIG. 5

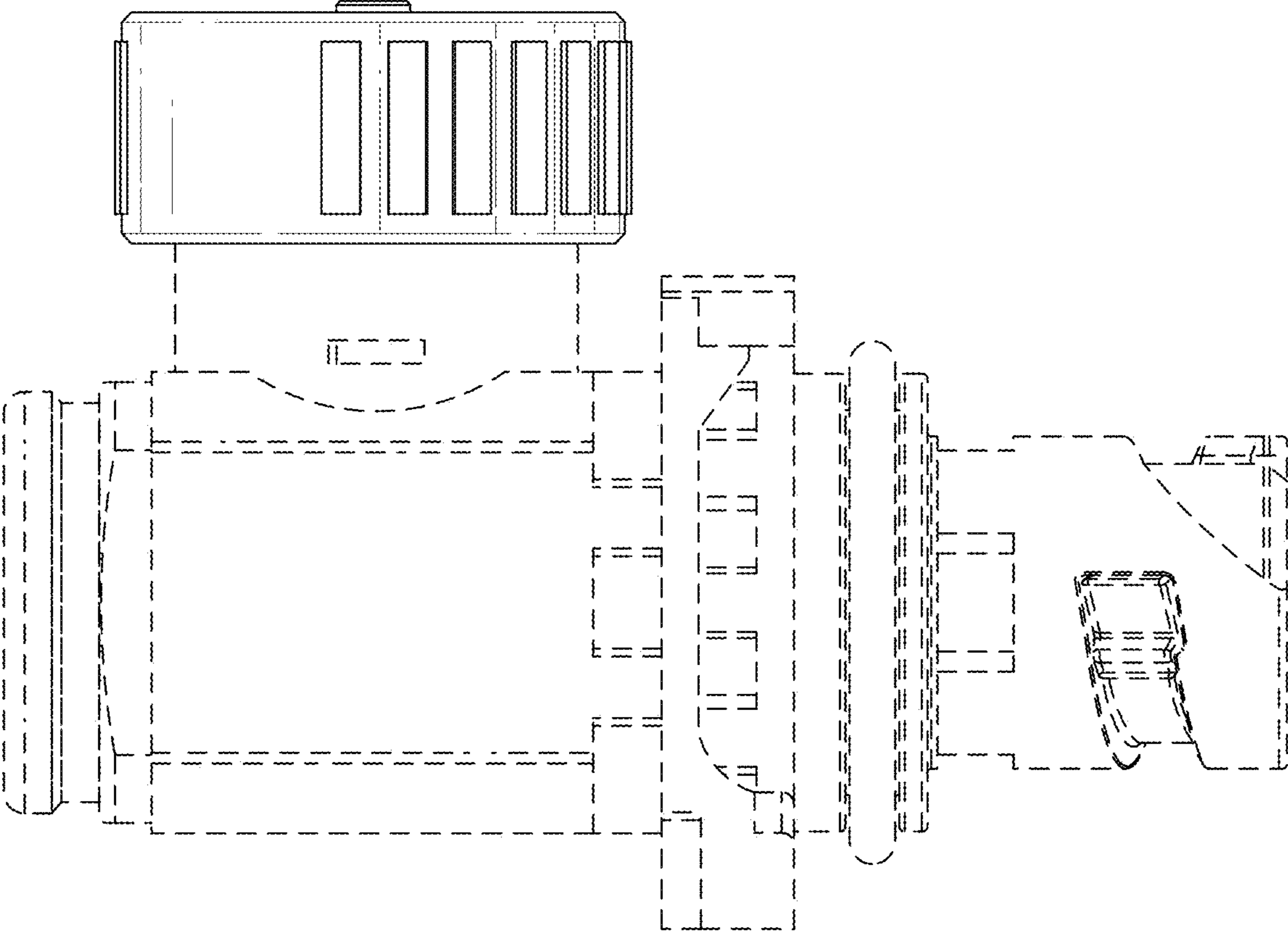


FIG. 6

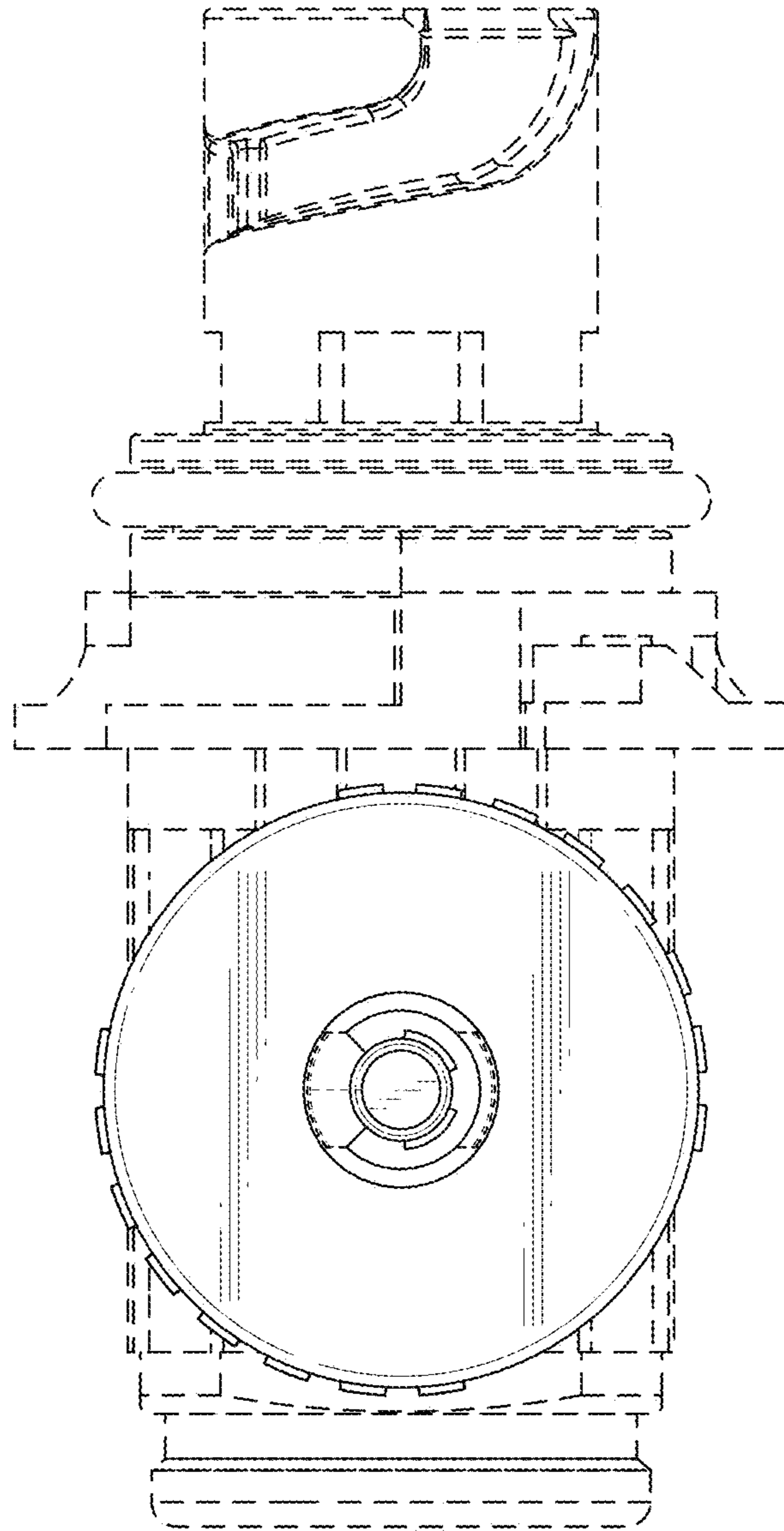


FIG. 7

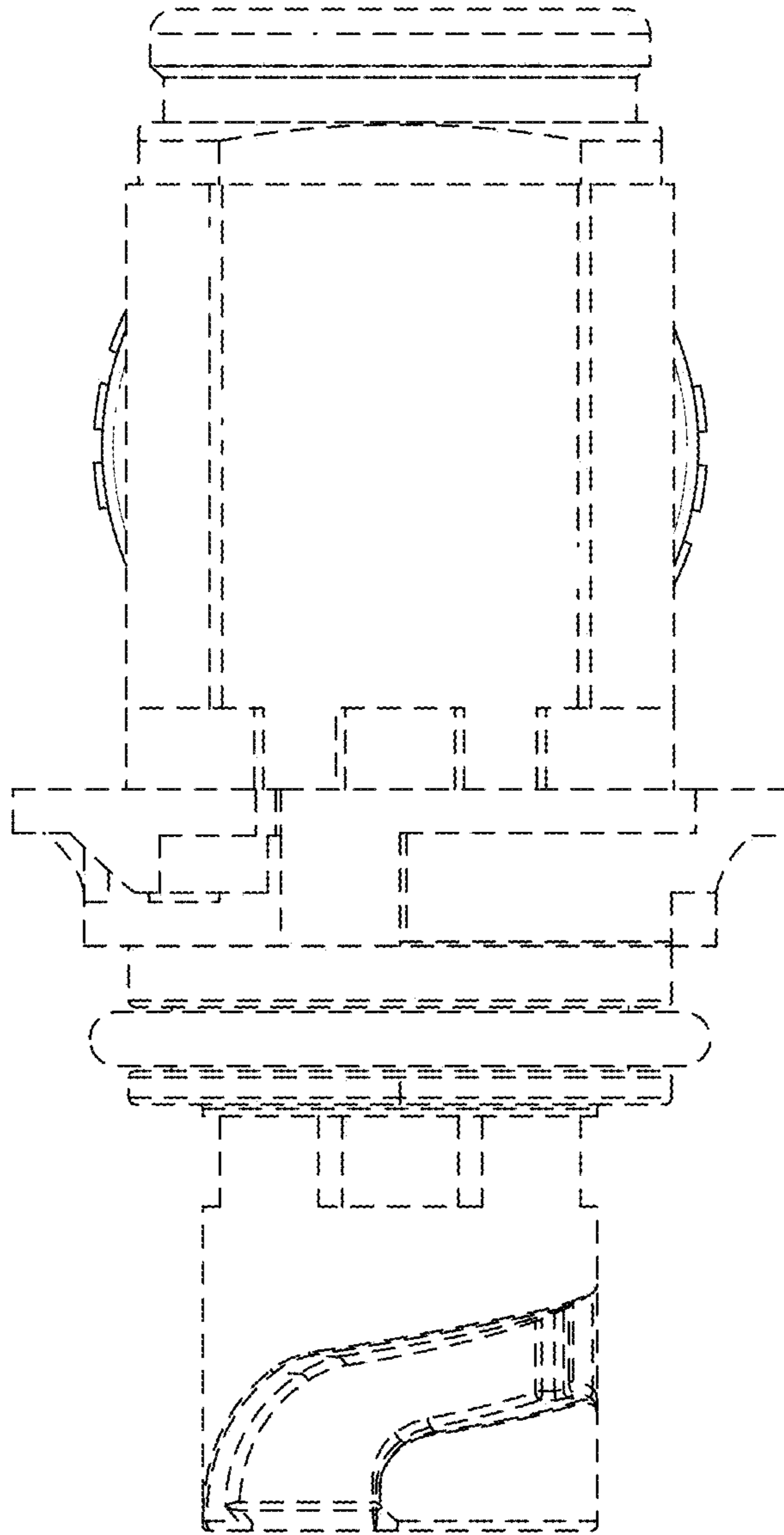


FIG. 8

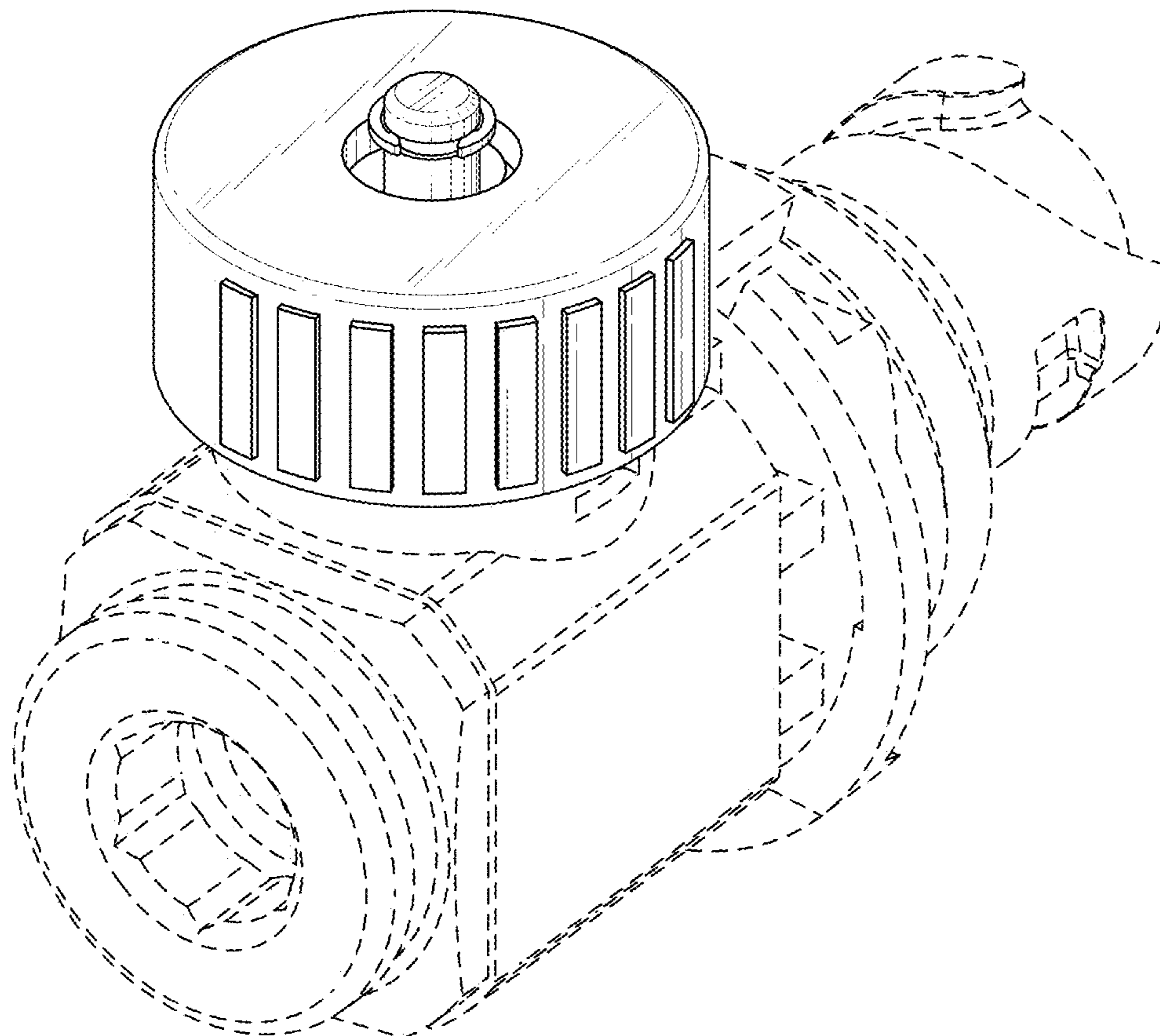


FIG. 9

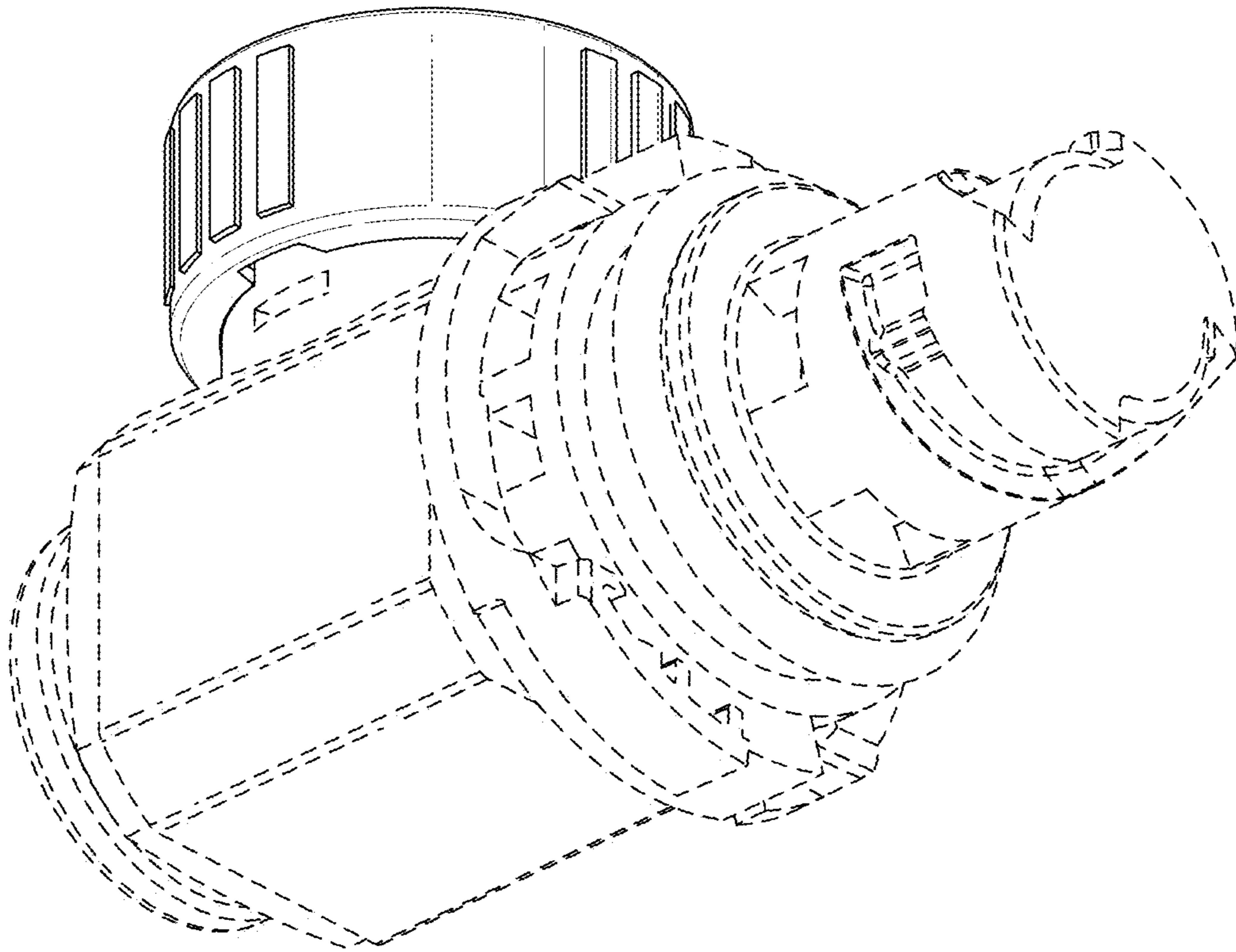


FIG. 10

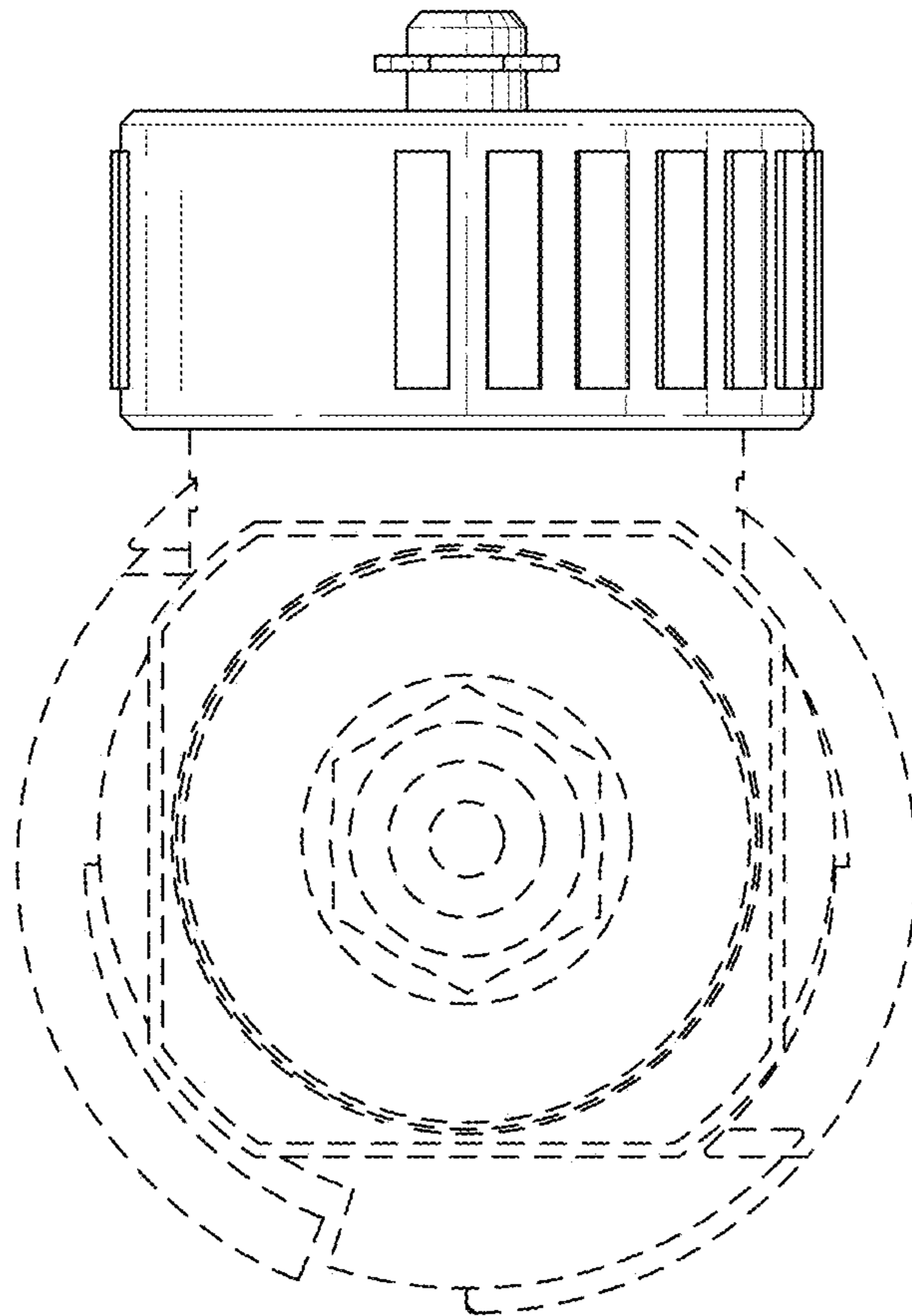


FIG. 11

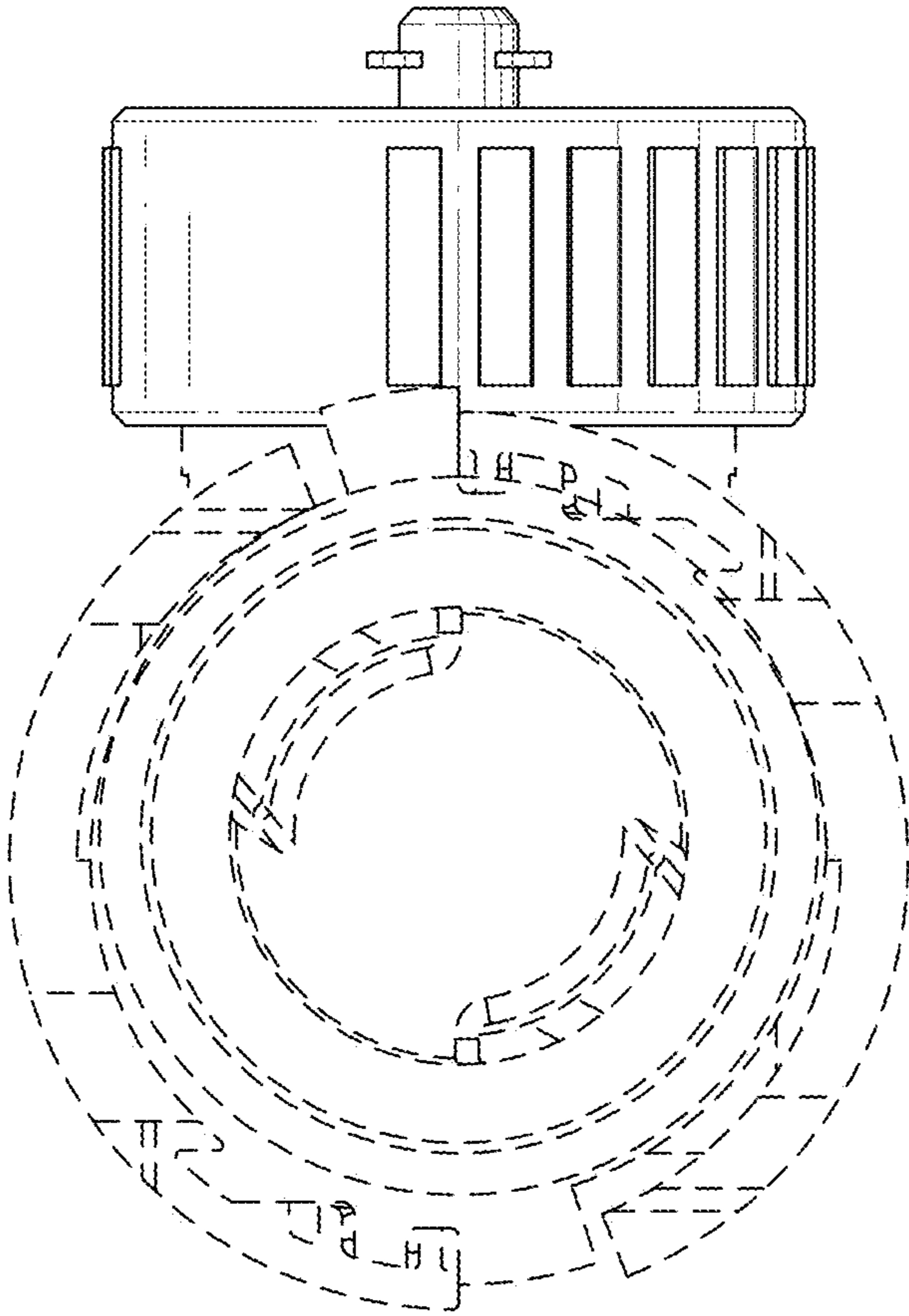


FIG. 12

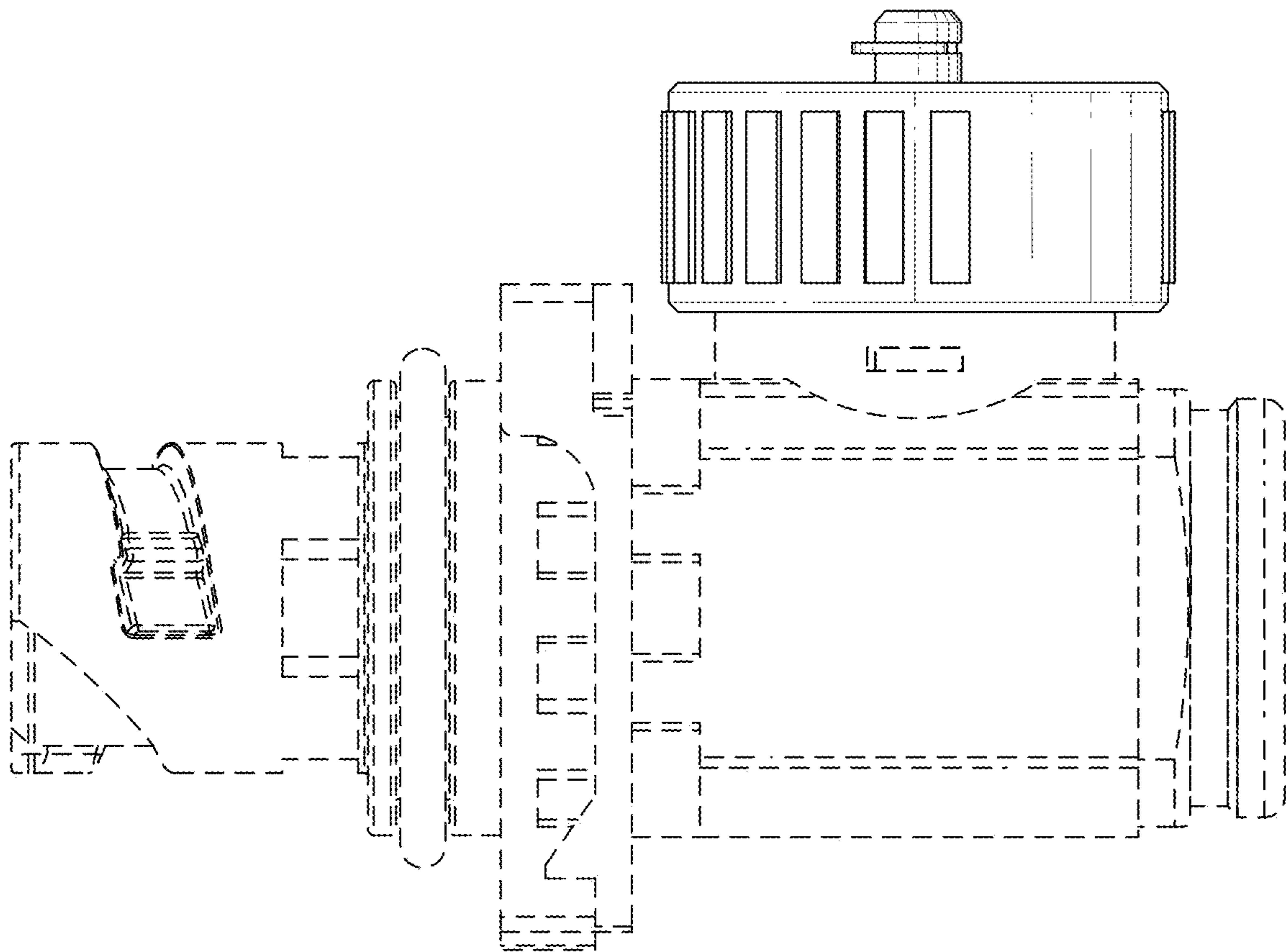


FIG. 13

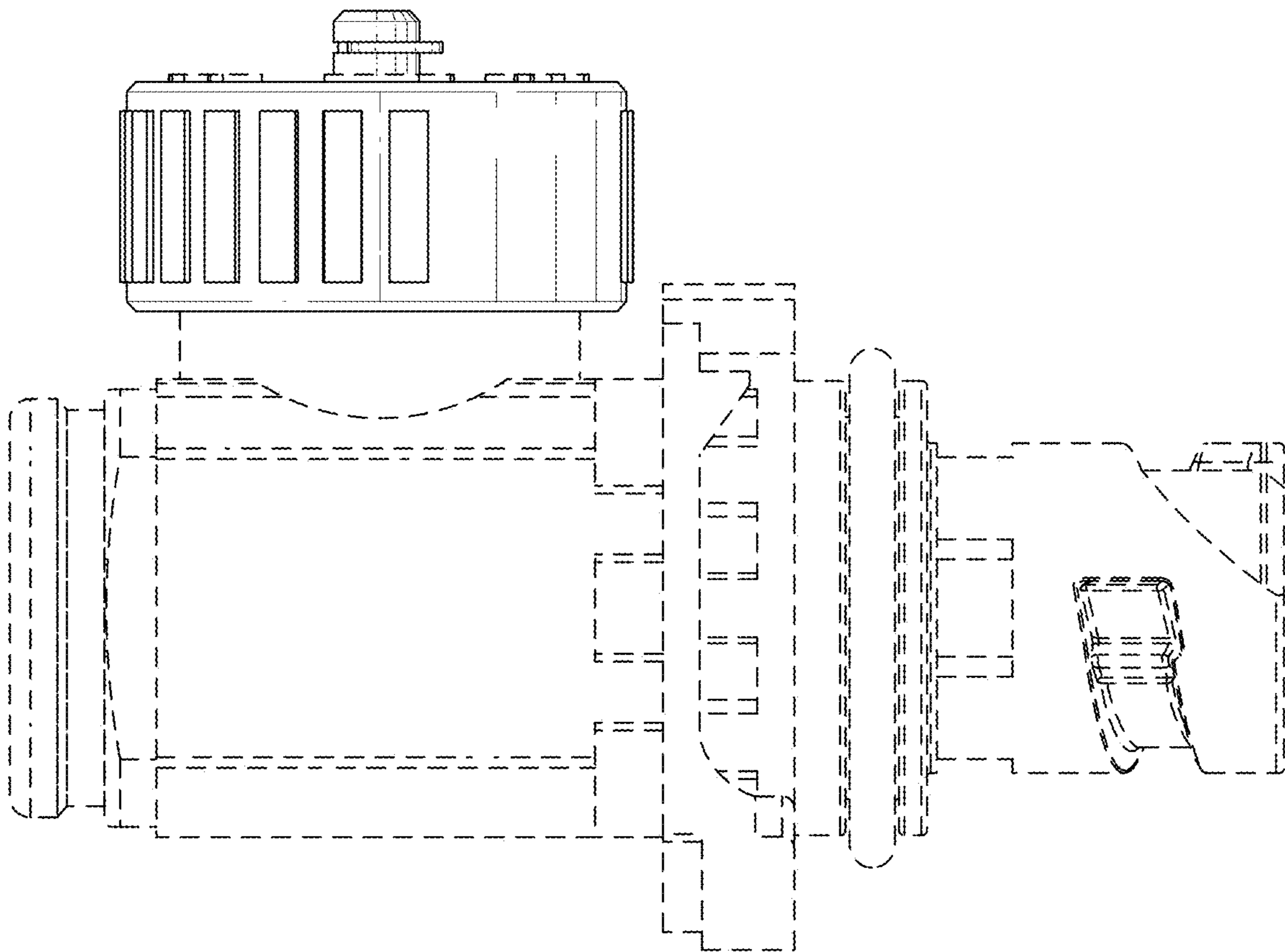


FIG. 14

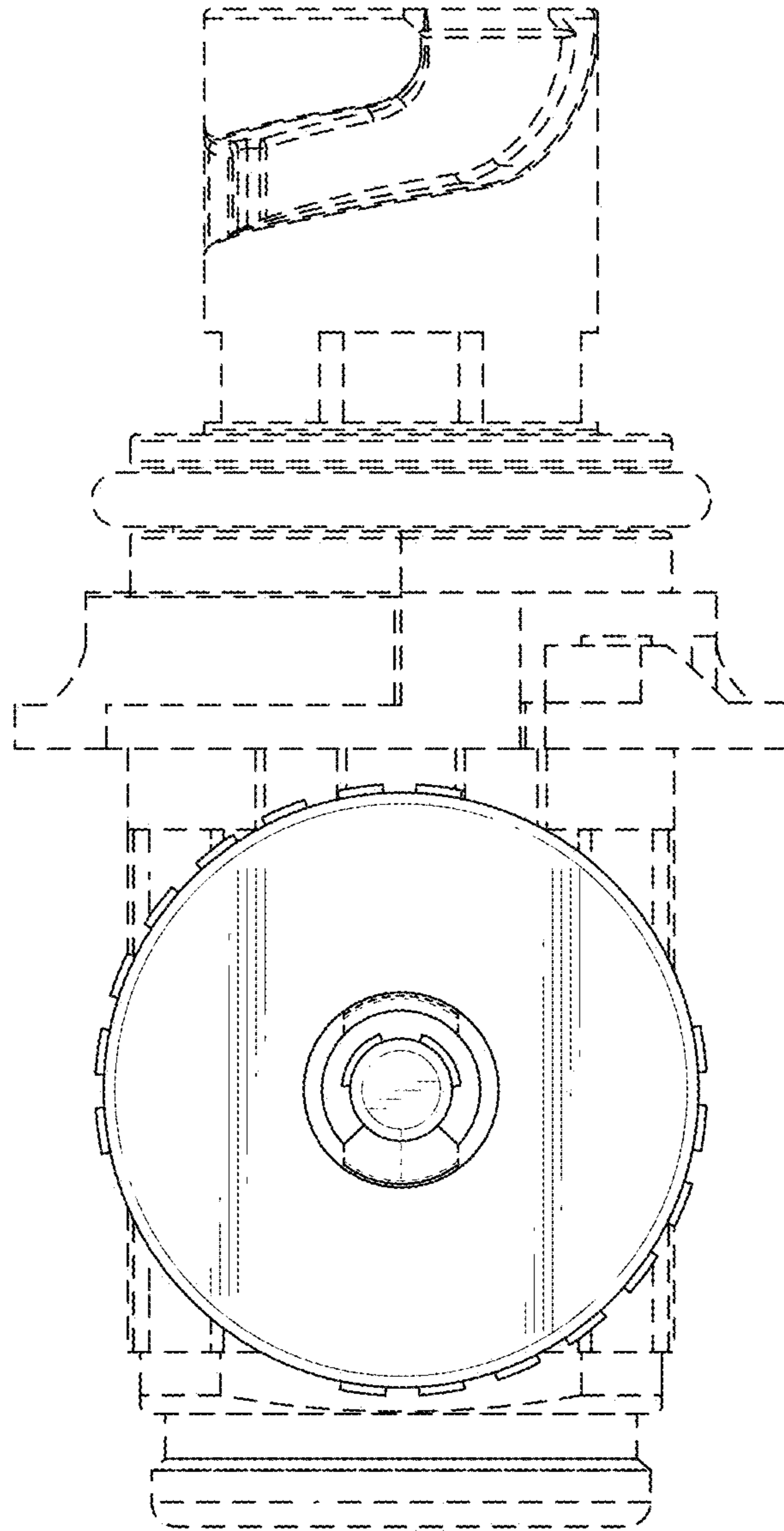


FIG. 15

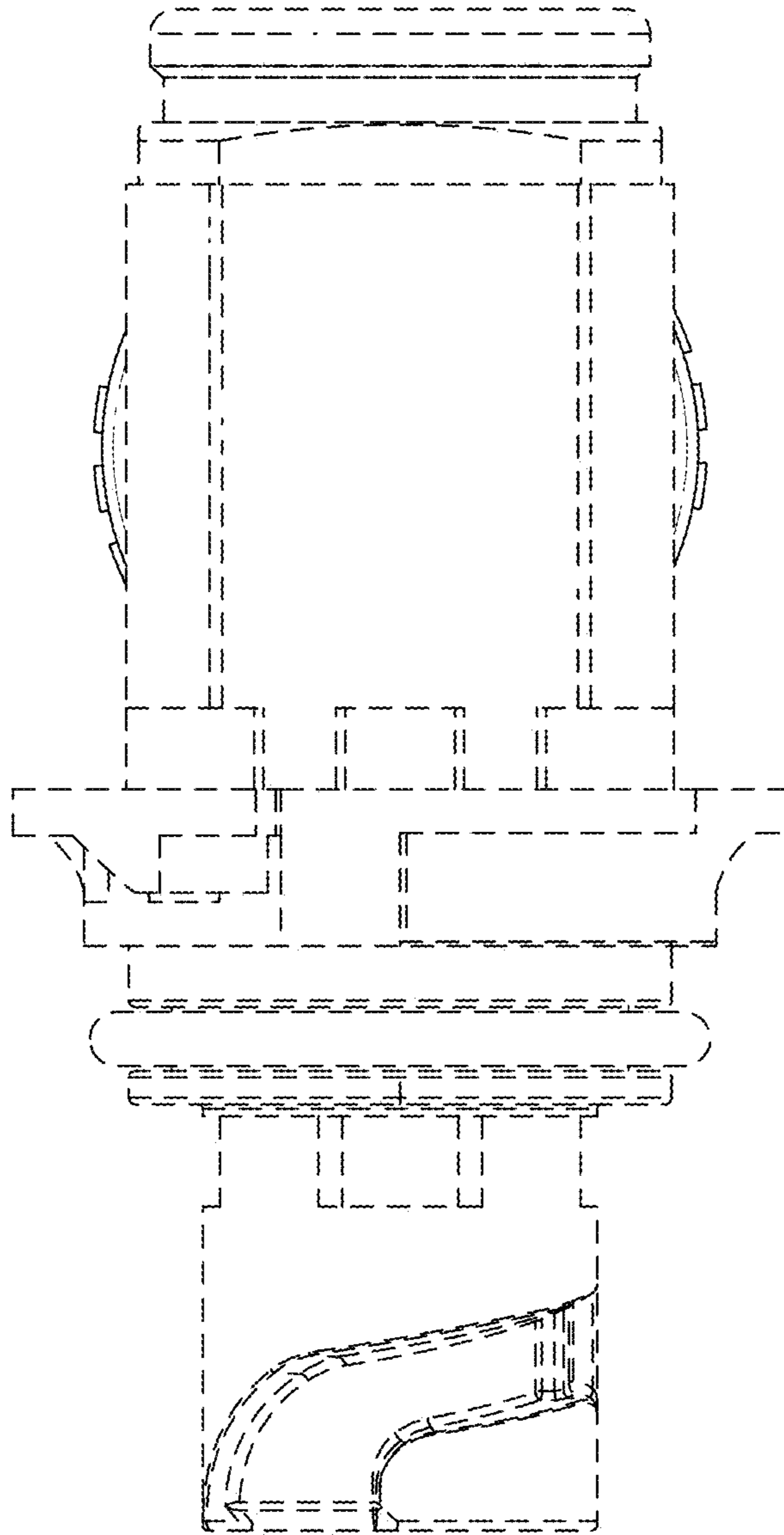


FIG. 16