



US00D902352S

(12) **United States Design Patent**
Yang

(10) **Patent No.:** **US D902,352 S**

(45) **Date of Patent:** **** Nov. 17, 2020**

(54) **LIQUID OUTPUT REGULATOR FOR DRINK MAKING MACHINE**

D326,503 S * 5/1992 Ipsen D23/233
D609,305 S * 2/2010 Riendeau D23/233
9,044,117 B2 * 6/2015 Daburger A47J 31/461
D842,433 S * 3/2019 Ito D23/235

(71) Applicant: **KLUB Technology Corp.**, Taoyuan (TW)

* cited by examiner

(72) Inventor: **Yen-Pin Yang**, Taoyuan (TW)

Primary Examiner — Gino Colan

(73) Assignee: **KLUB Technology Corp.**, Taoyuan (TW)

(74) *Attorney, Agent, or Firm* — Winston Hsu

(**) Term: **15 Years**

(57) **CLAIM**

(21) Appl. No.: **29/661,816**

The ornamental design for a liquid output regulator for drink making machine, as shown and described.

(22) Filed: **Aug. 30, 2018**

(51) **LOC (12) Cl.** **23-01**

(52) **U.S. Cl.**
USPC **D23/235**

DESCRIPTION

(58) **Field of Classification Search**
USPC D23/233–235, 237; 137/614, 269,
137/614.11, 614.12, 614.19, 798
CPC F16K 17/30; F16K 31/1266; F16K 15/033;
F16K 31/12; F16K 31/126
See application file for complete search history.

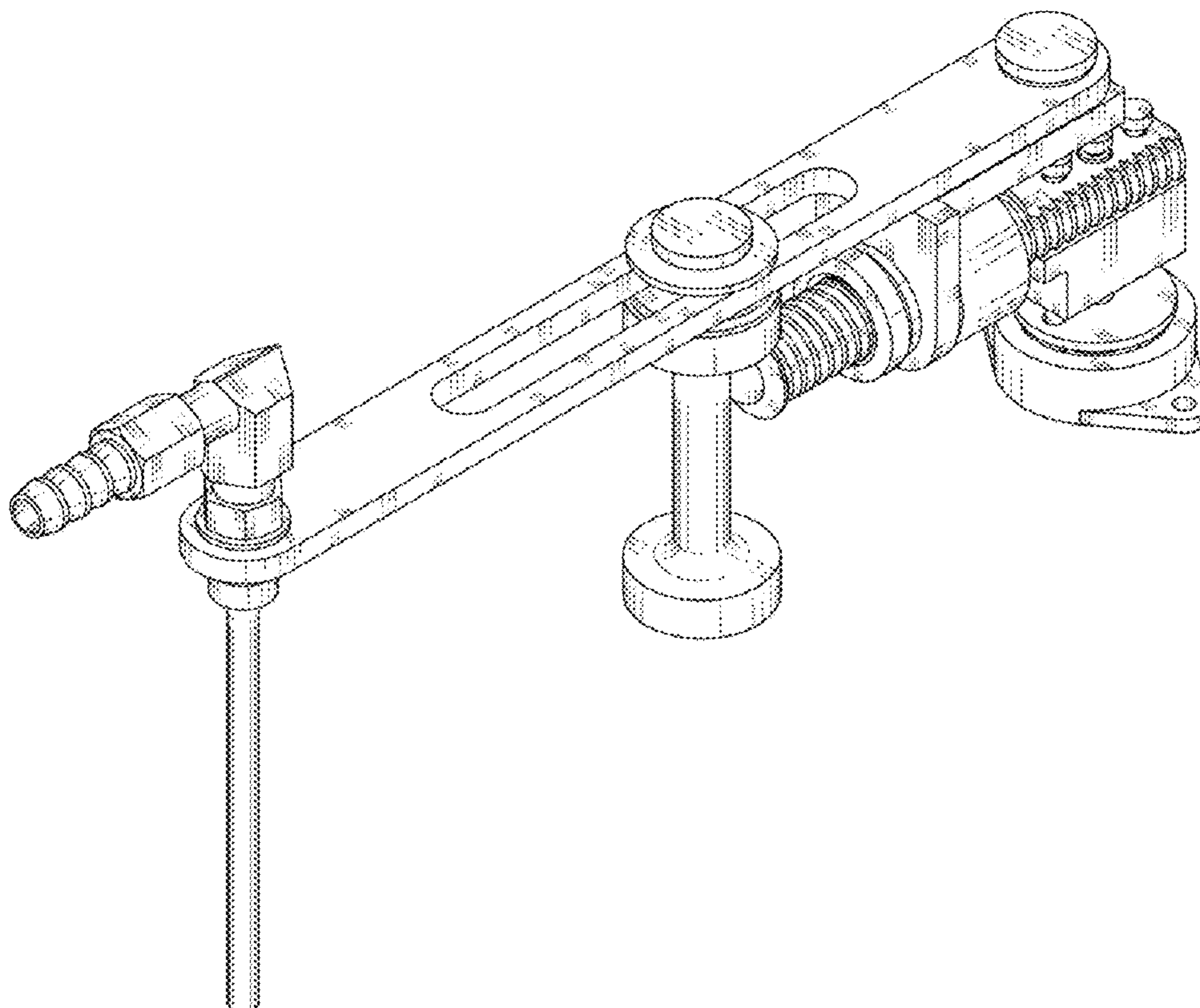
FIG. 1 is a top, front, and right side perspective view showing my new design for a liquid output regulator for drink making machine;
FIG. 2 is a bottom, front, and left side perspective view thereof;
FIG. 3 is a front elevation view thereof;
FIG. 4 is a rear elevation view thereof;
FIG. 5 is a left side elevation view thereof;
FIG. 6 is a right side elevation view thereof;
FIG. 7 is a top plan view thereof; and,
FIG. 8 is a bottom plan view thereof;

(56) **References Cited**

U.S. PATENT DOCUMENTS

4,078,578 A * 3/1978 Buchholz B67D 1/1466
137/614
D257,566 S * 11/1980 Kottmeier D23/236

1 Claim, 8 Drawing Sheets



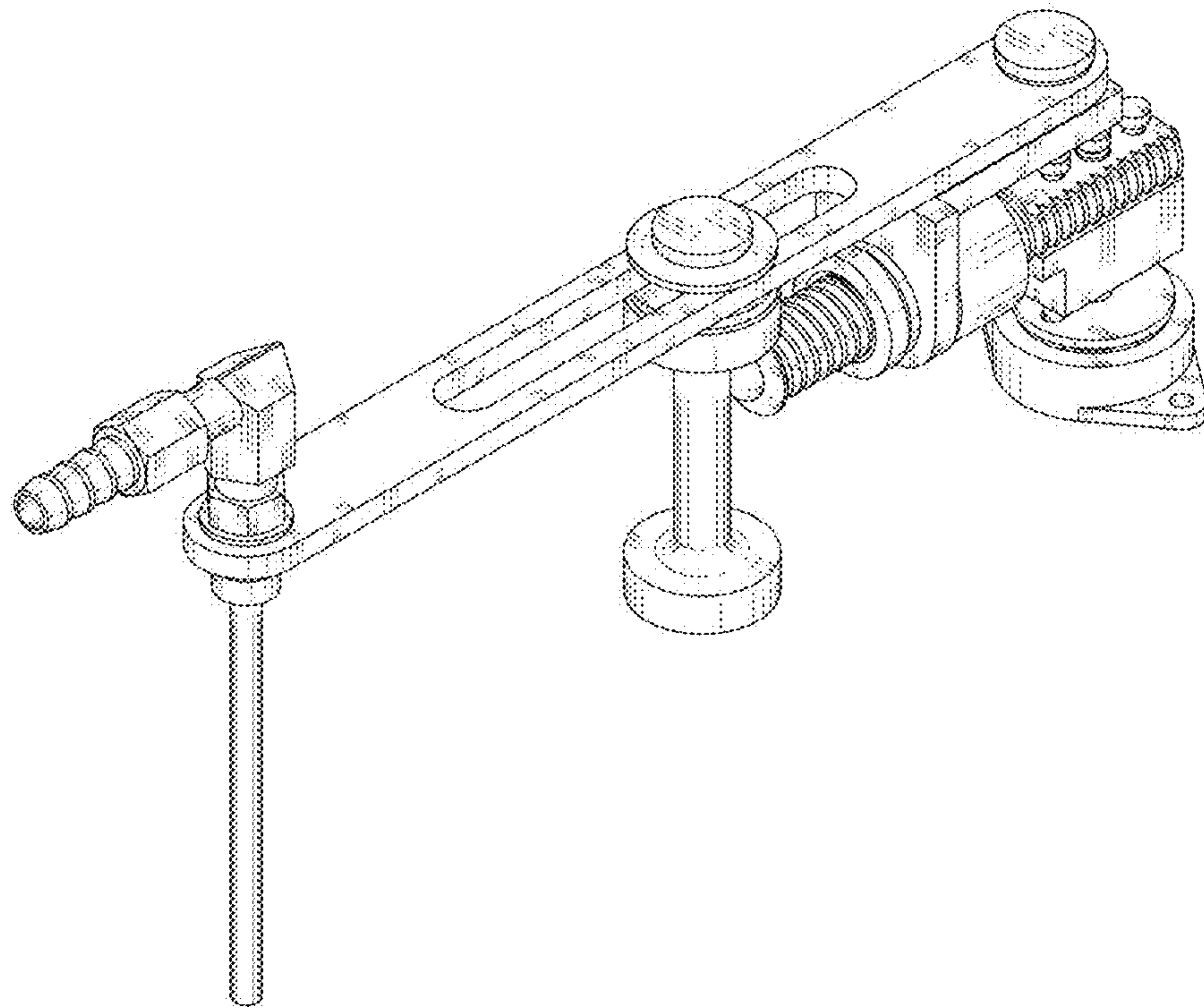


FIG. 1

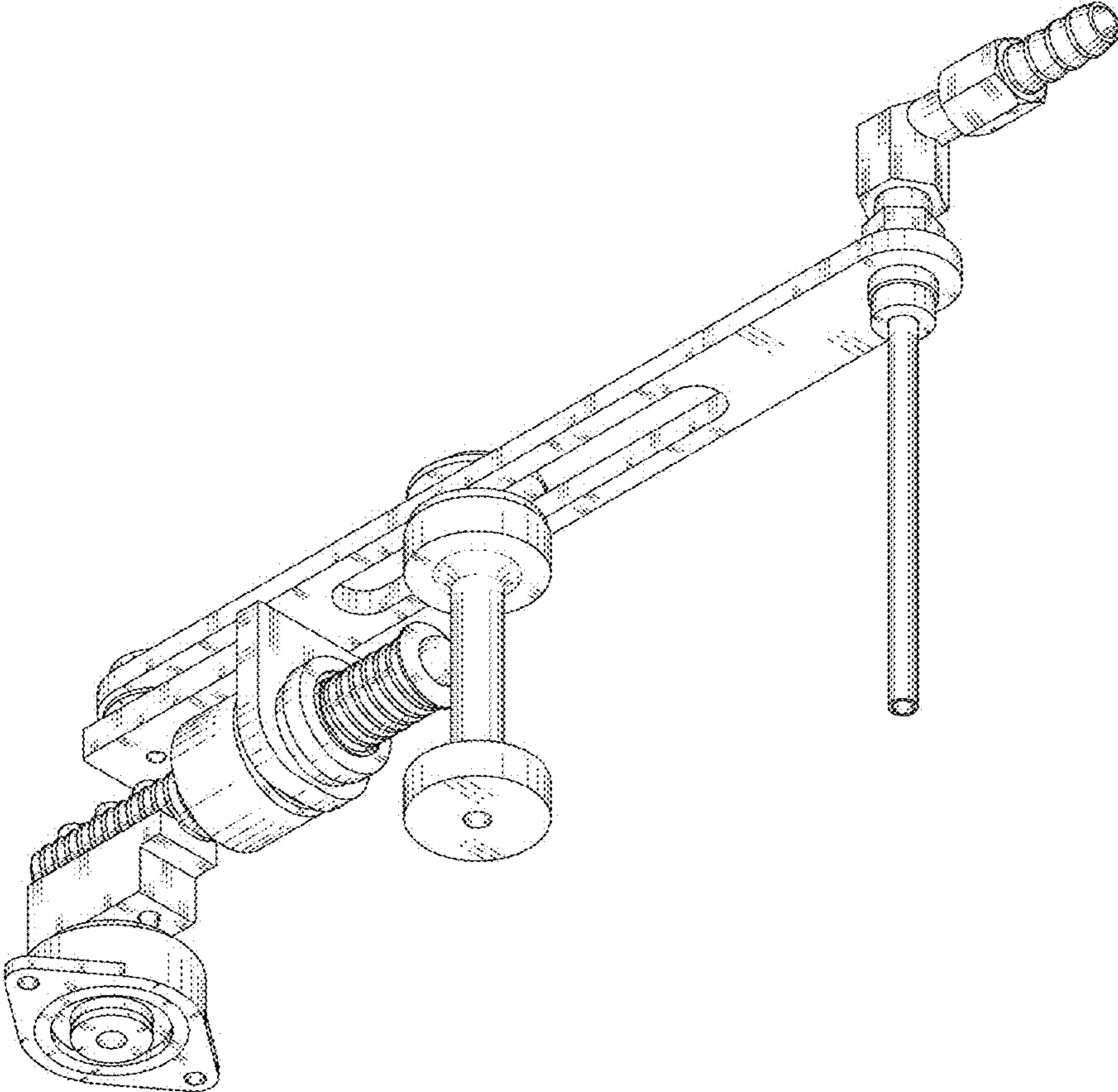


FIG. 2

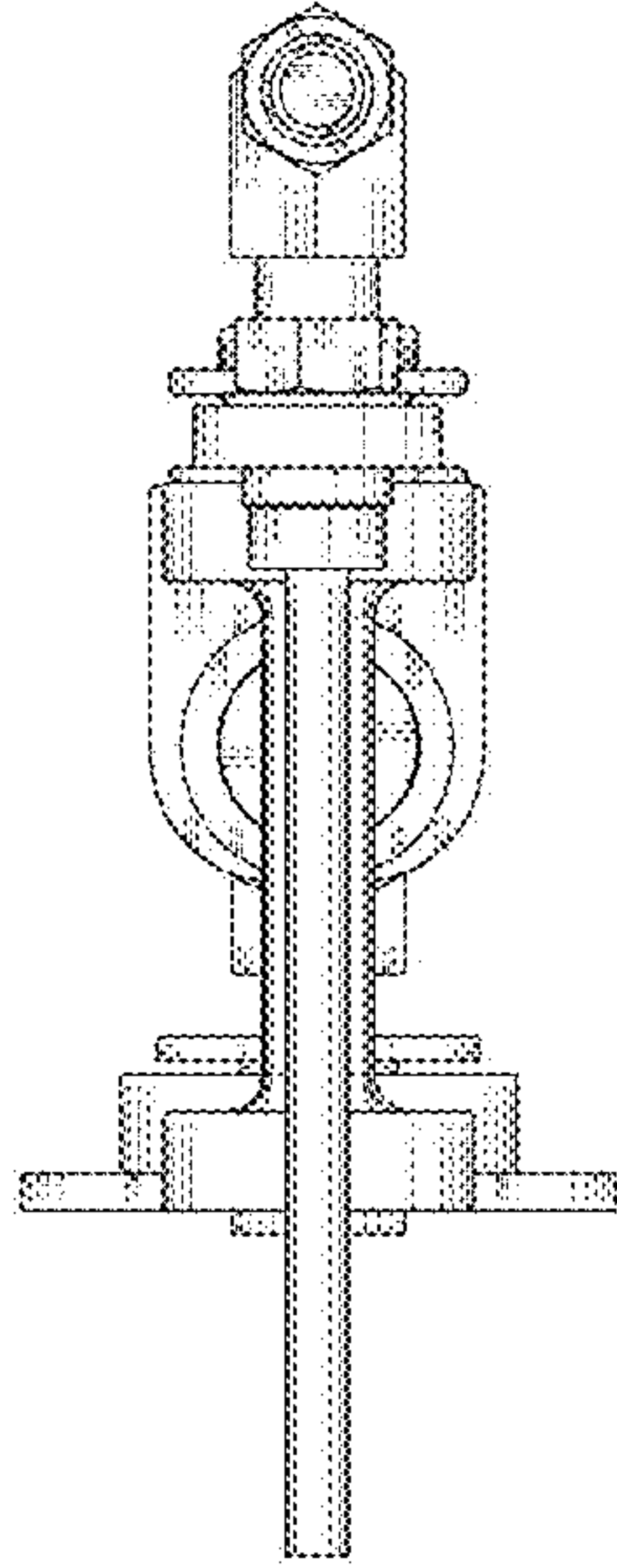


FIG. 3

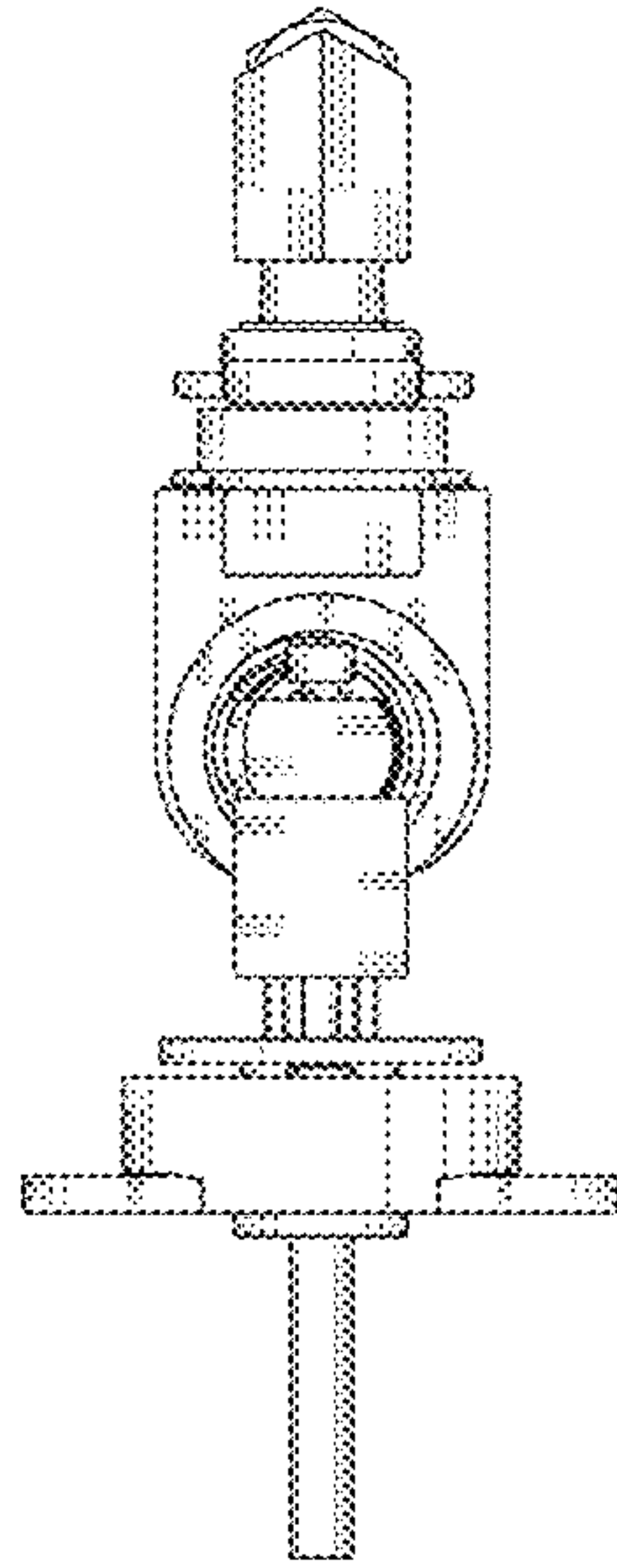


FIG. 4

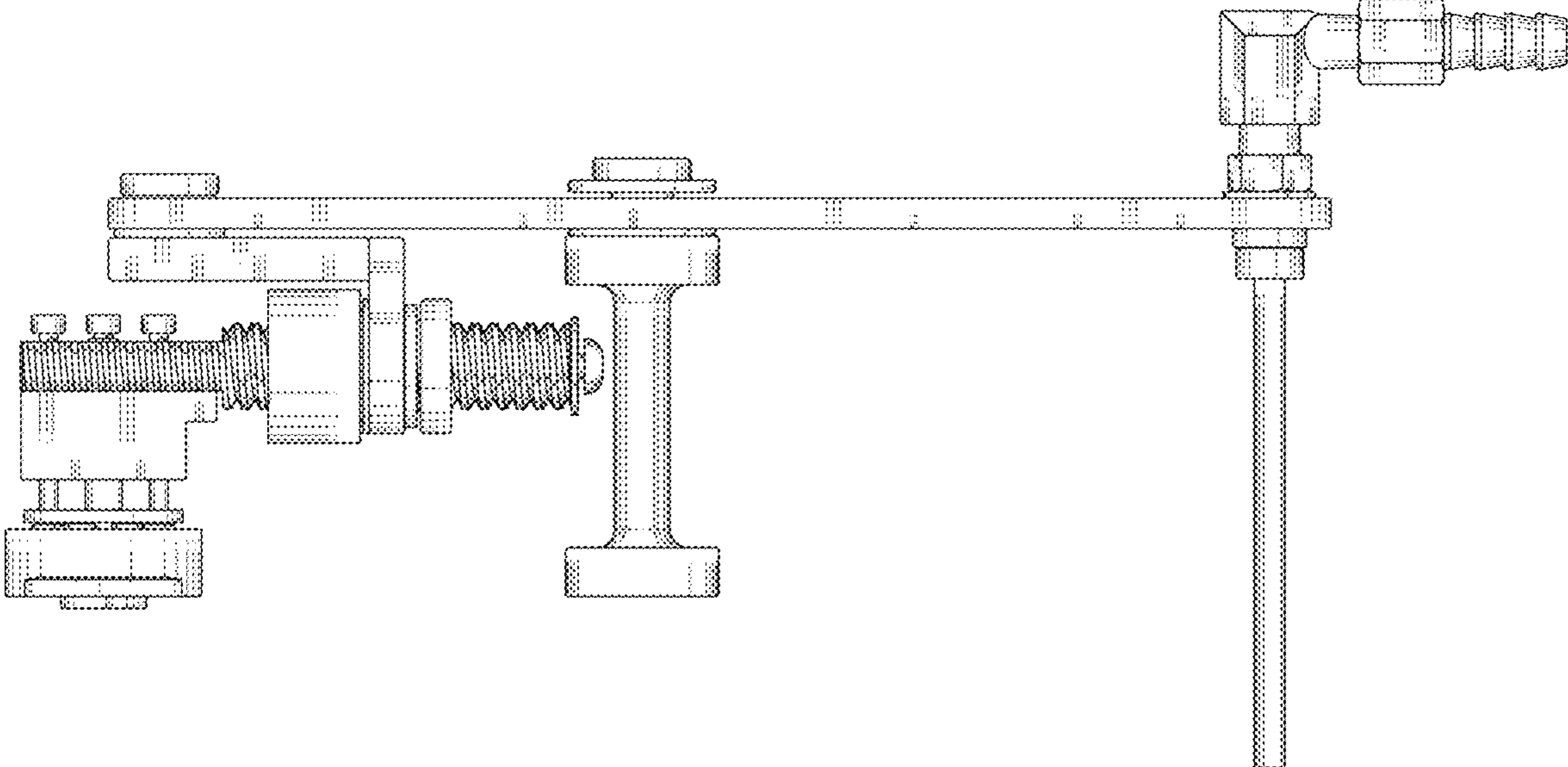


FIG. 5

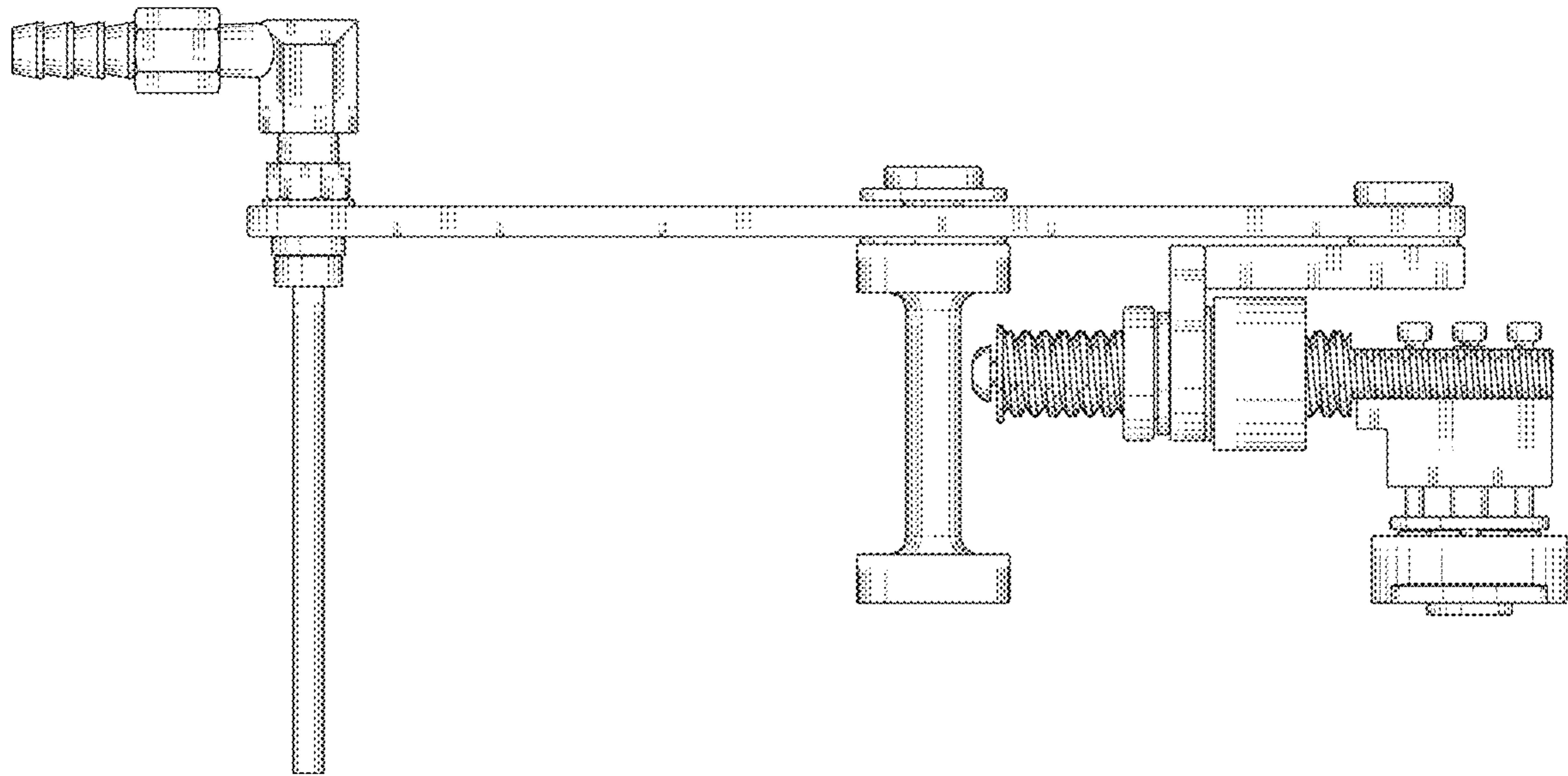


FIG. 6

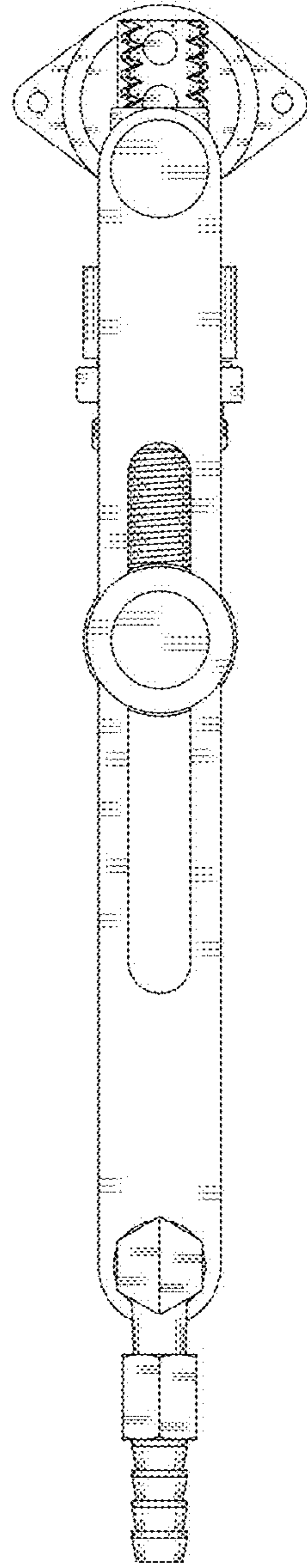


FIG. 7

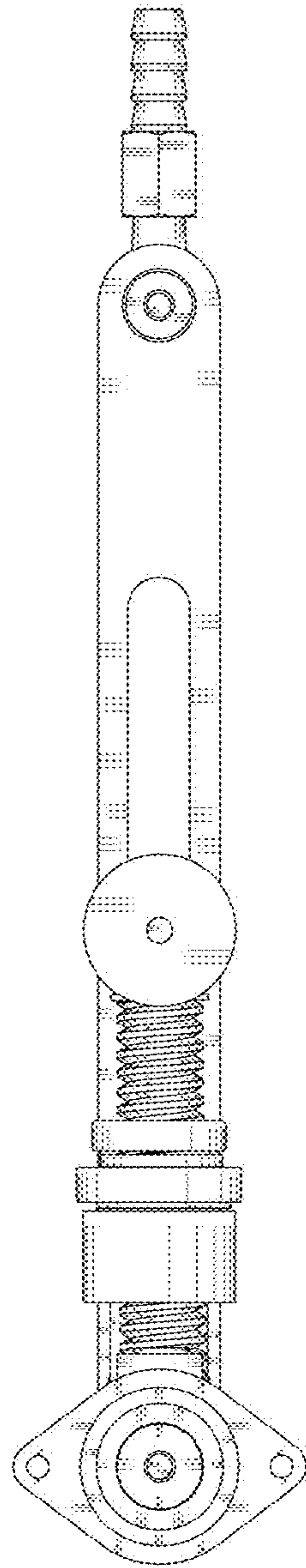


FIG. 8