



US00D902351S

(12) **United States Design Patent** (10) **Patent No.:** **US D902,351 S**
Meyer (45) **Date of Patent:** **** Nov. 17, 2020**

(54) **FLUID DISTRIBUTION EQUIPMENT**

(71) Applicant: **Neoperl GmbH**, Müllheim (DE)

(72) Inventor: **Burkhard Meyer**, Emmendingen (DE)

(73) Assignee: **Neoperl GmbH**, Müllheim (DE)

(**) Term: **15 Years**

(21) Appl. No.: **35/506,988**

(22) Filed: **Feb. 13, 2019**

(80) **Hague Agreement Data**

Int. Filing Date: **Feb. 13, 2019**

Int. Reg. No.: **DM/201591**

Int. Reg. Date: **Feb. 13, 2019**

Int. Reg. Pub. Date: **Jun. 28, 2019**

(51) **LOC (12) Cl.** **23-02**

(52) **U.S. Cl.**
USPC **D23/233**

(58) **Field of Classification Search**
USPC **D23/233-237, 247, 248, 262**
(Continued)

(56) **References Cited**

U.S. PATENT DOCUMENTS

D820,955 S * 6/2018 Ito D23/235
D820,956 S * 6/2018 Ito D23/235

(Continued)

Primary Examiner — **Khawaja Anwar**

(74) *Attorney, Agent, or Firm* — **Volpe Koenig**

(57) **CLAIM**

The ornamental design for a fluid distribution equipment, as shown and described.

DESCRIPTION

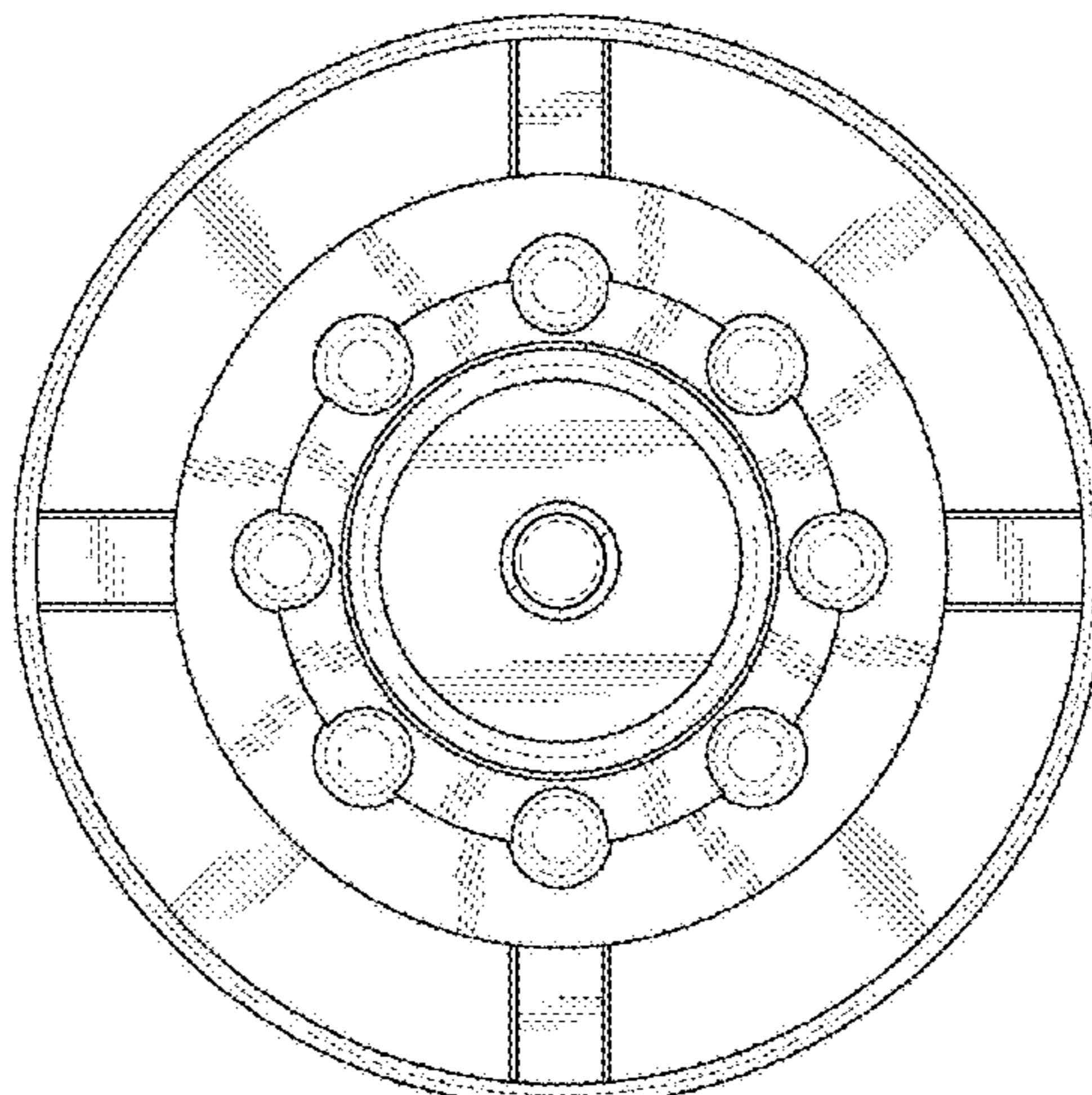
The patent or application file contains at least one drawing executed in color. Copies of this patent or patent application

publication with color drawing(s) will be provided by the Office upon request and payment of the necessary fee.

- 1.-4. Fluid distribution equipment
 - 1.1 Top Plan View
 - 1.2 Top, Front, Right Perspective View
 - 1.3 Bottom Plan View
 - 1.4 Bottom, Left, Rear Perspective View
 - 1.5 Front Elevational View
 - 1.6 Right Side Elevational View
 - 1.7 Rear Elevational View
 - 1.8 Left Side Elevational View
- 2.1 Top Plan View
- 2.2 Top, Front, Right Perspective View
- 2.3 Bottom Plan View
- 2.4 Bottom, Left, Rear Perspective View
- 2.5 Front Elevational View
- 2.6 Right Side Elevational View
- 2.7 Rear Elevational View
- 2.8 Left Side Elevational View
- 3.1 Top Plan View
- 3.2 Top, Front, Right Perspective View
- 3.3 Bottom Plan View
- 3.4 Bottom, Left, Rear Perspective View
- 3.5 Front Elevational View
- 3.6 Right Side Elevational View
- 3.7 Rear Elevational View
- 3.8 Left Side Elevational View
- 4.1 Top Plan View
- 4.2 Top, Front, Right Perspective View
- 4.3 Bottom Plan View
- 4.4 Bottom, Left, Rear Perspective View
- 4.5 Front Elevational View
- 4.6 Right Side Elevational View
- 4.7 Rear Elevational View
- 4.8 Left Side Elevational View

The area inside the central broken line circle in reproductions 1.1, 1.2, 2.1, 2.2, 3.1, 3.2, 4.1, and 4.2 forms no part of the claimed design. The broken lines in the reproductions of design 2 represent portions of the fluid distribution equipment that form no part of the claimed design; the parts shown by blue color in the reproductions of design 4

(Continued)



represent portions of the fluid distribution equipment that form no part of the claimed design.

**1 Claim, 32 Drawing Sheets
(6 of 32 Drawing Sheet(s) Filed in Color)**

(58) Field of Classification Search

CPC F16K 17/04; F16K 17/06; F16K 31/126;
F16K 31/385; F16K 47/16

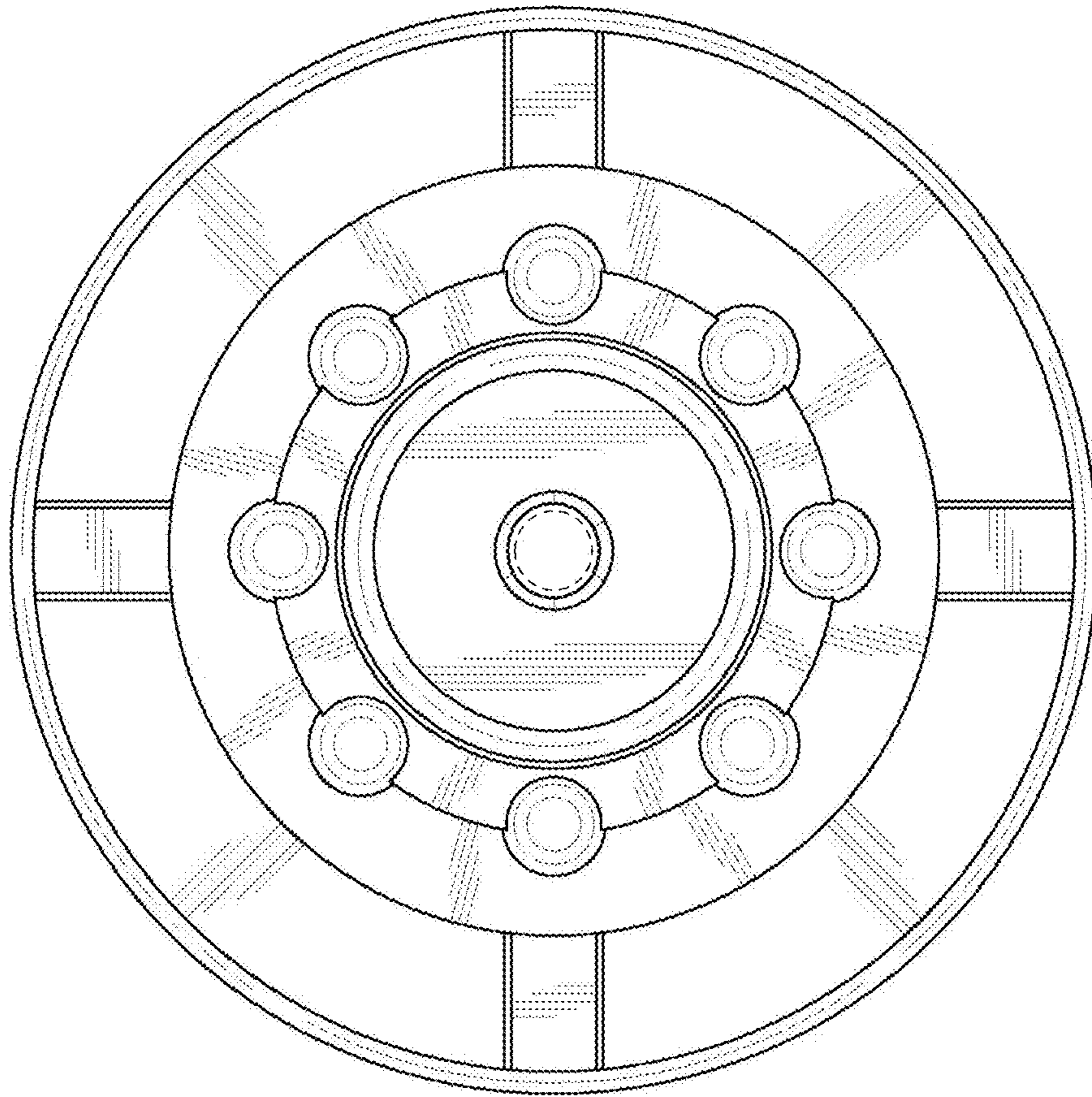
See application file for complete search history.

(56) References Cited

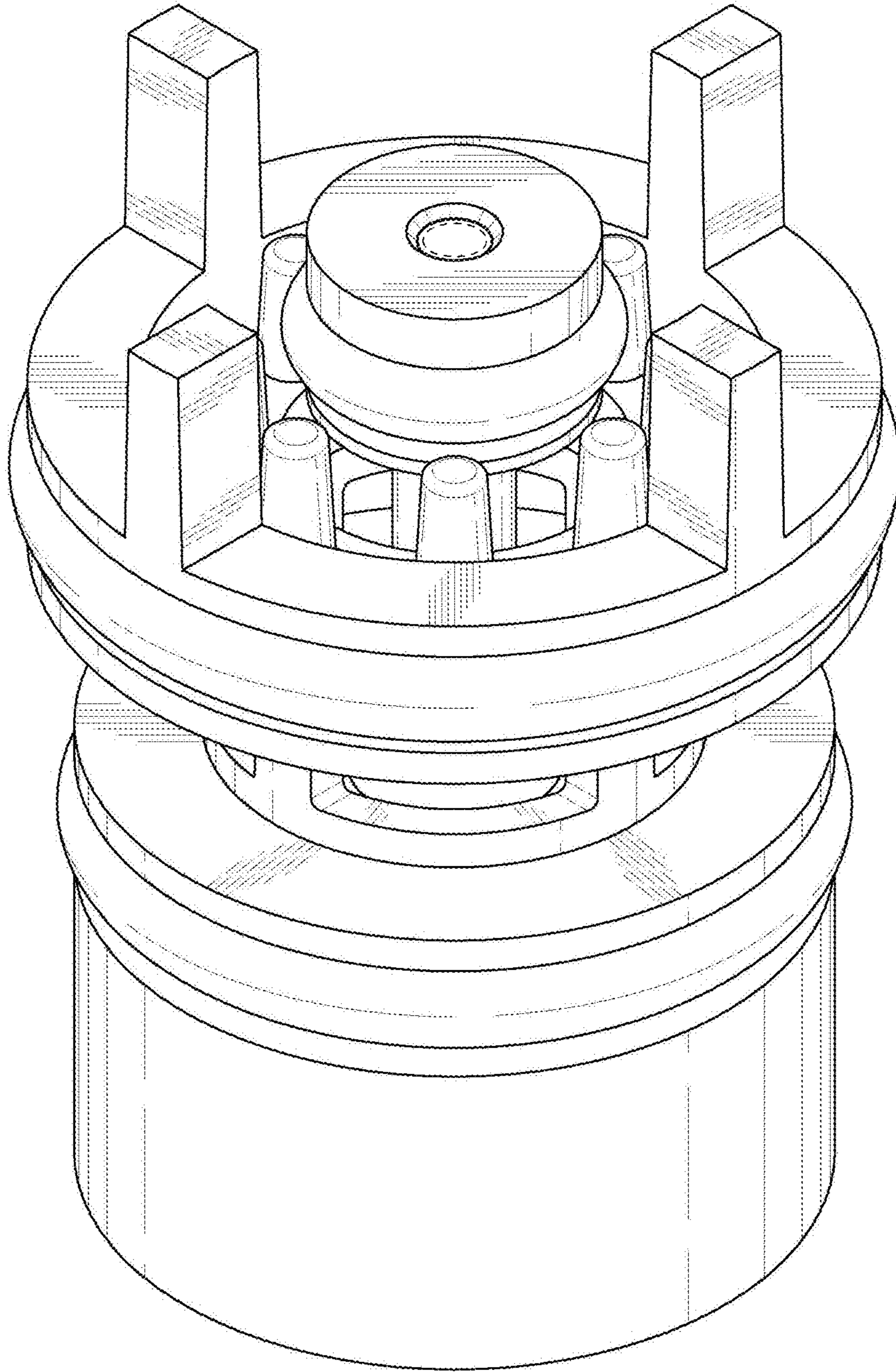
U.S. PATENT DOCUMENTS

D822,167 S *	7/2018	Baker	D23/233
D826,381 S *	8/2018	Bian	D23/233
D832,980 S *	11/2018	Scaramucci	D23/233
D849,195 S *	5/2019	Matsushita	D23/233
D851,213 S *	6/2019	Matsushita	D23/233
D856,481 S *	8/2019	Martin	D23/233
D862,642 S *	10/2019	Frenal	D23/233
D872,832 S *	1/2020	Roh	D23/233
D876,586 S *	2/2020	Asada	D23/233

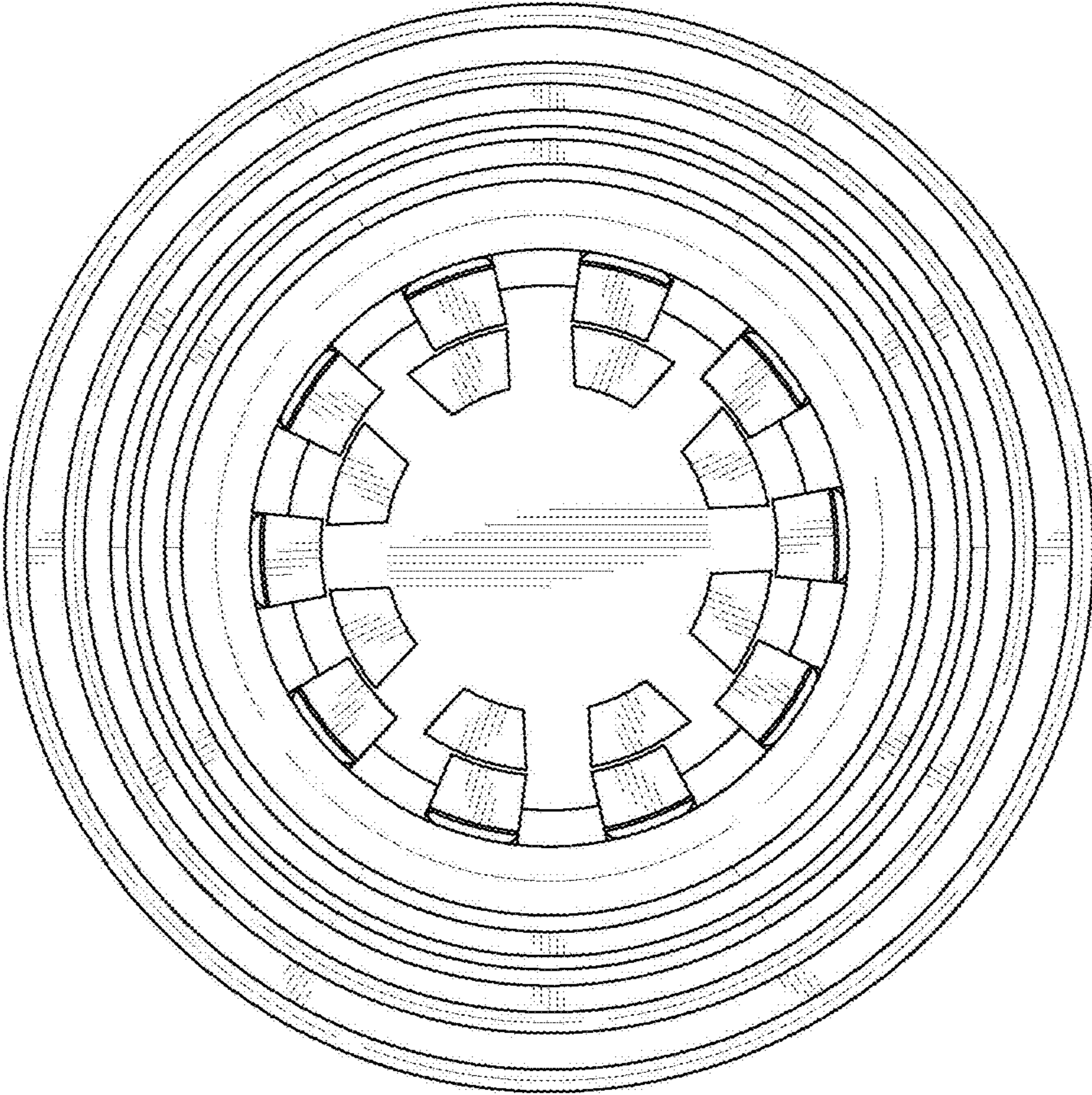
* cited by examiner



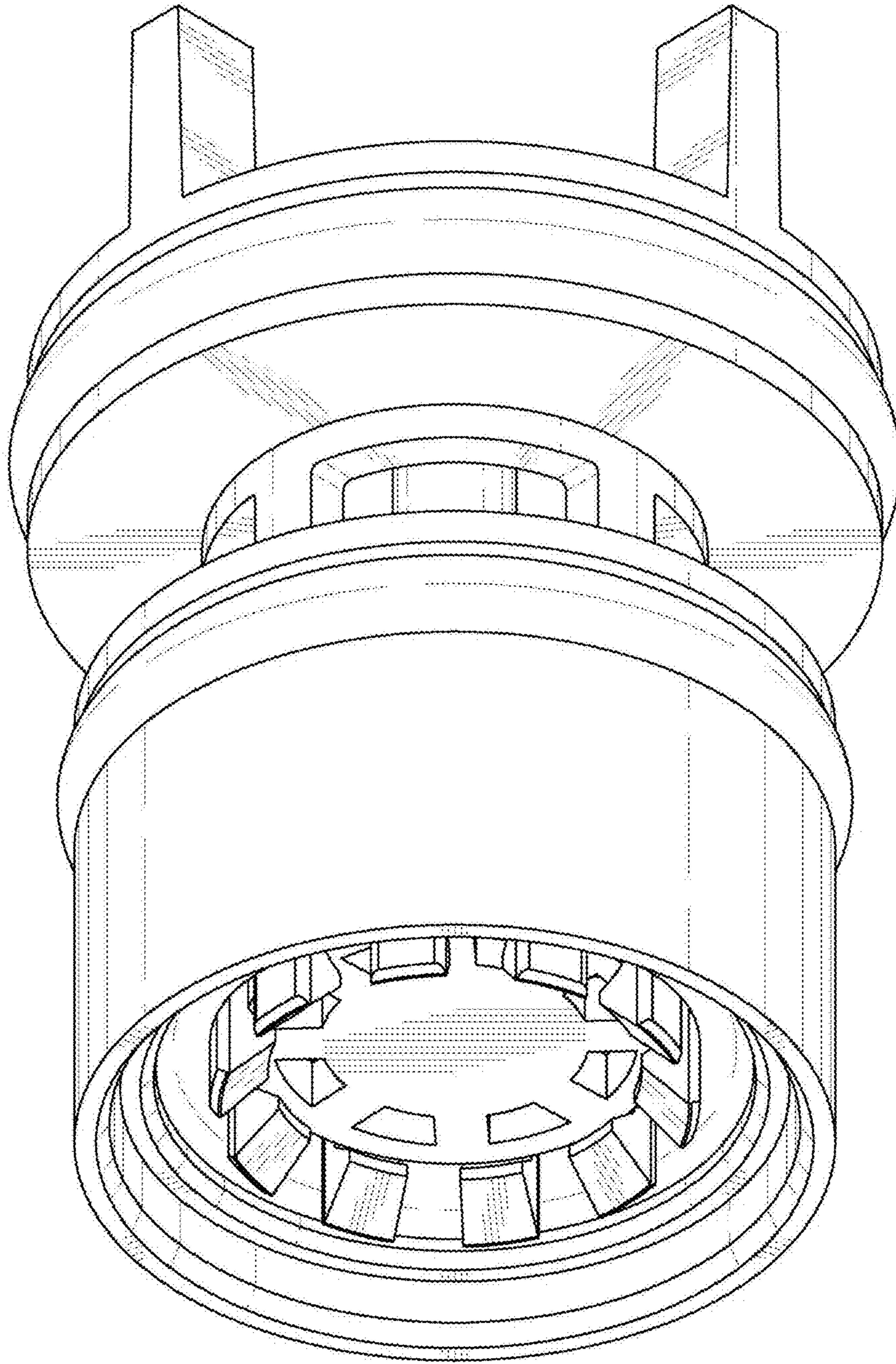
1.1



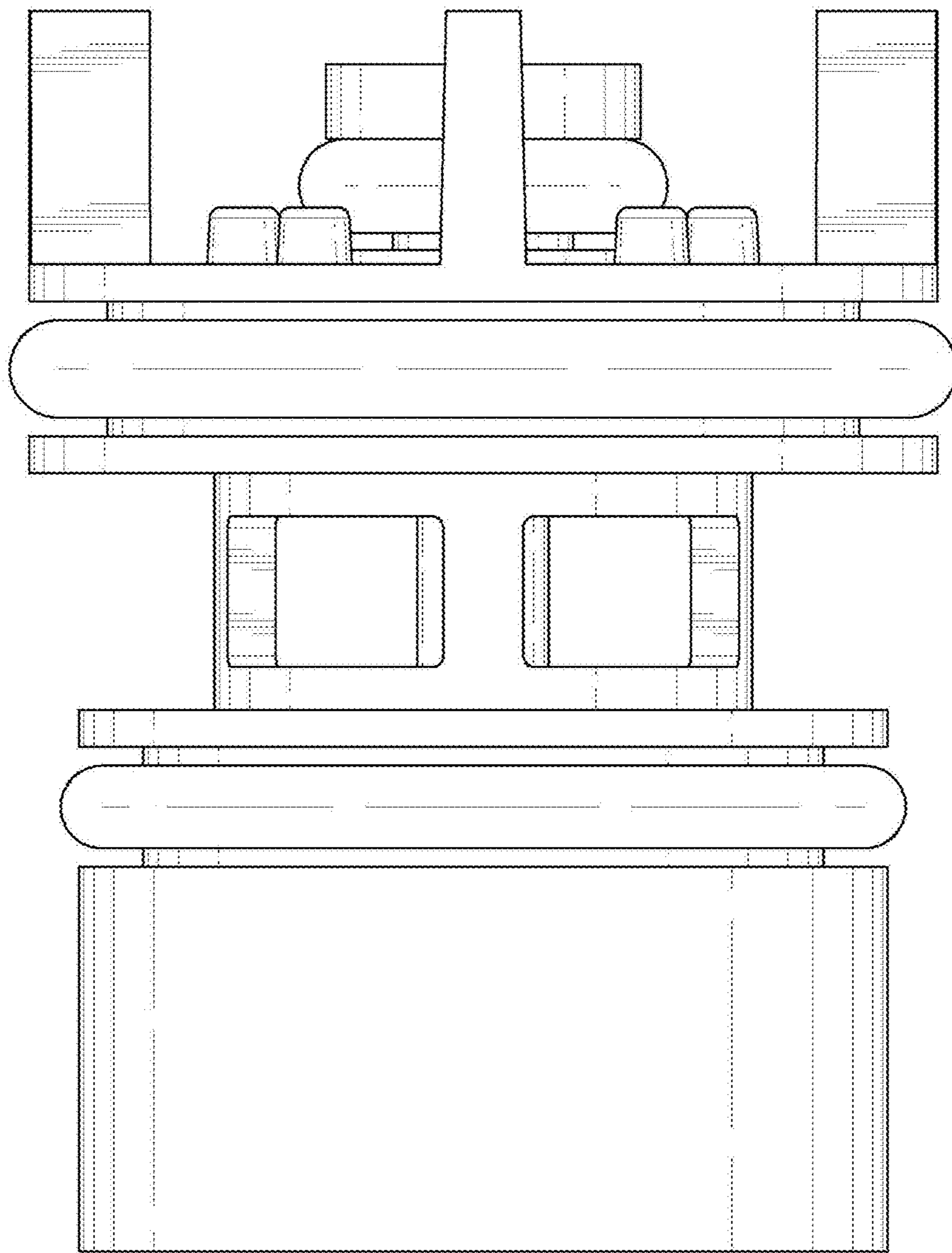
1.2



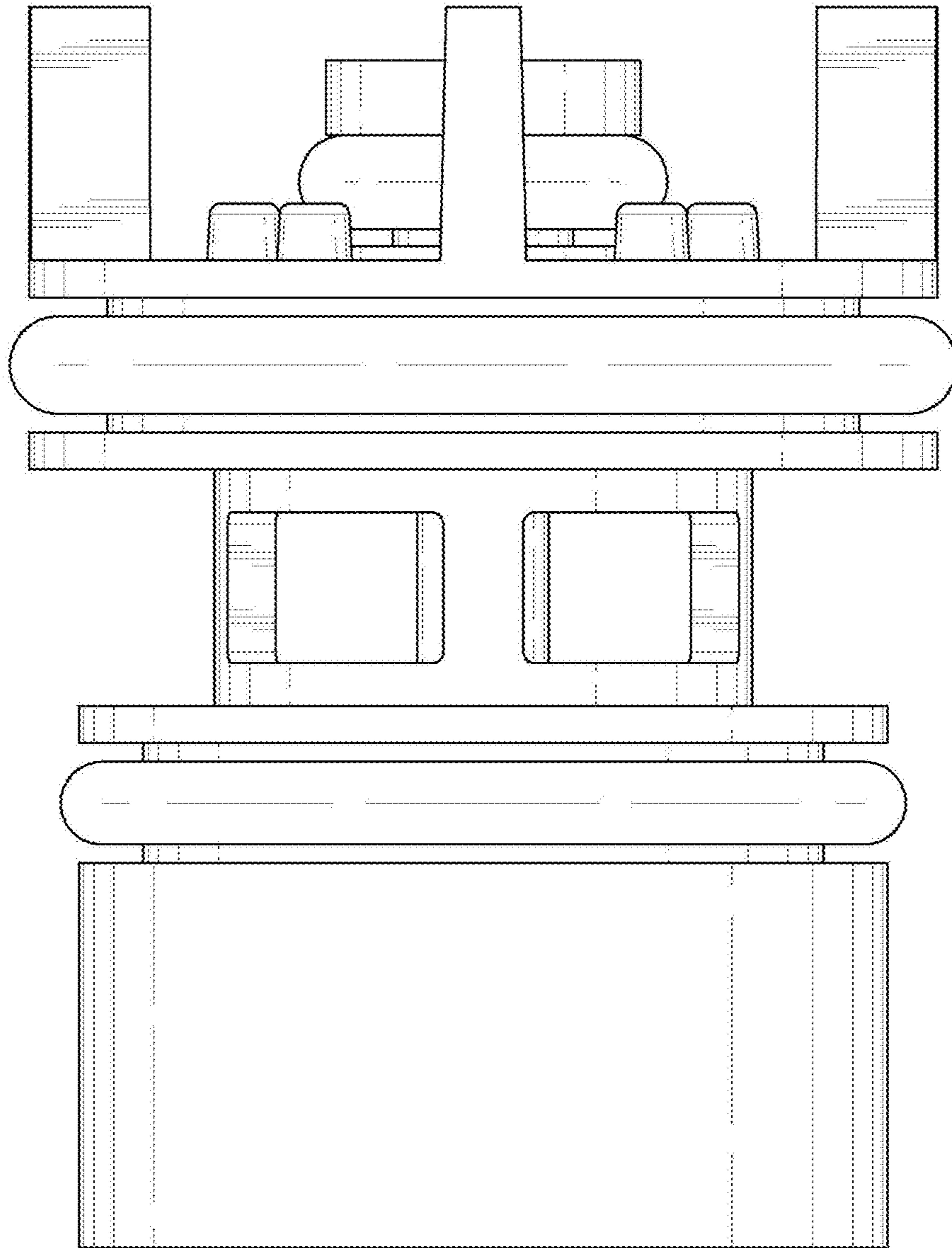
1.3



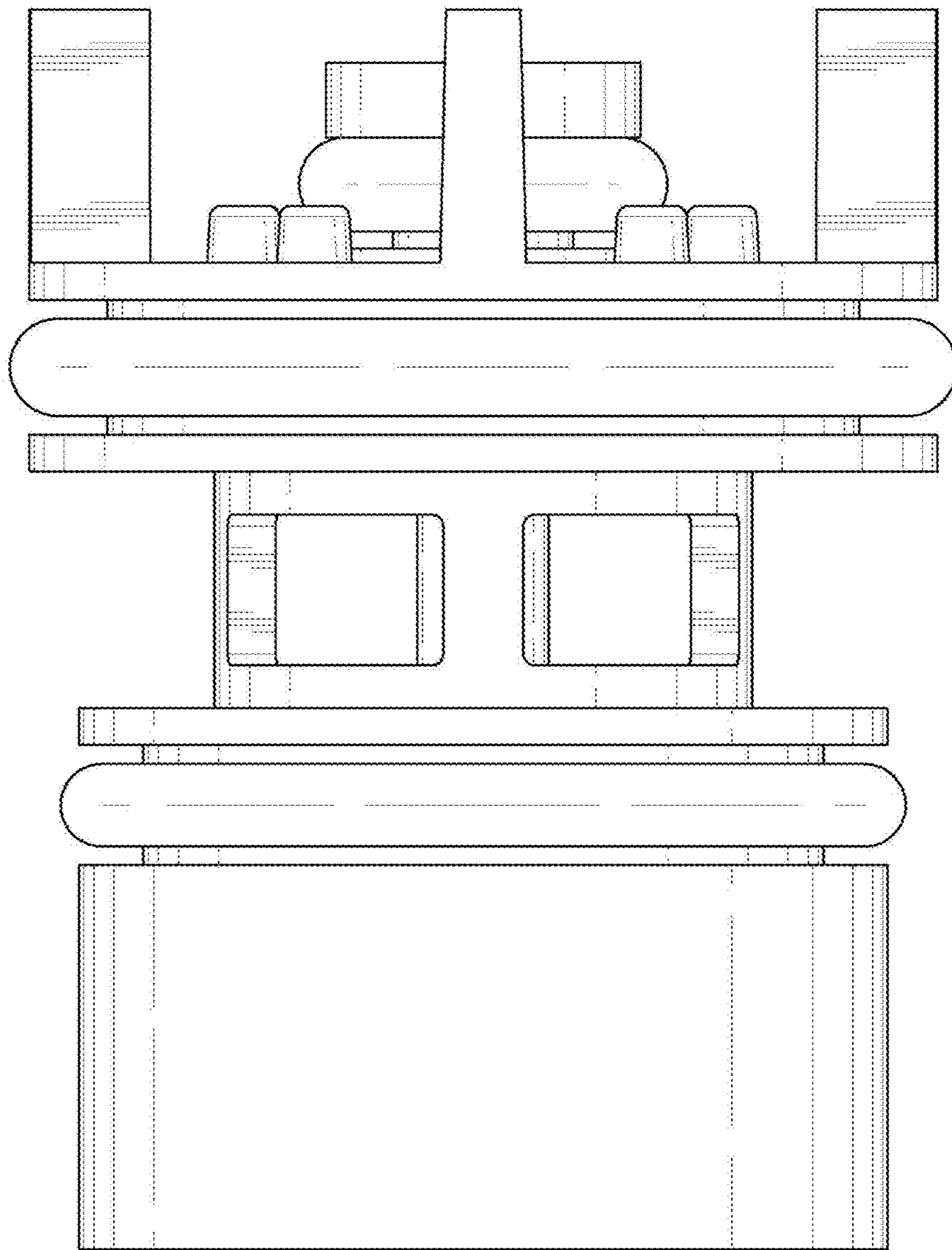
1.4

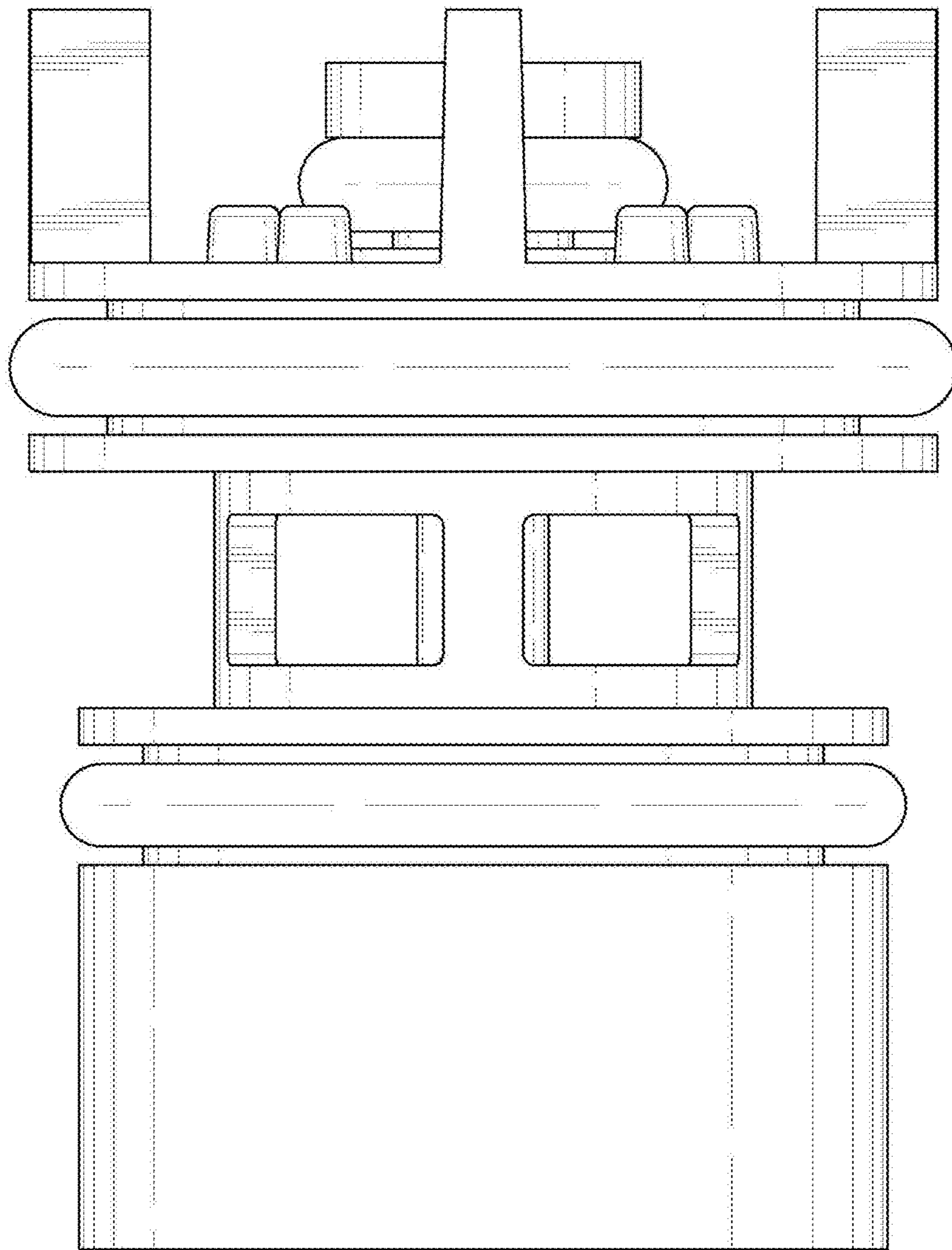


1.5

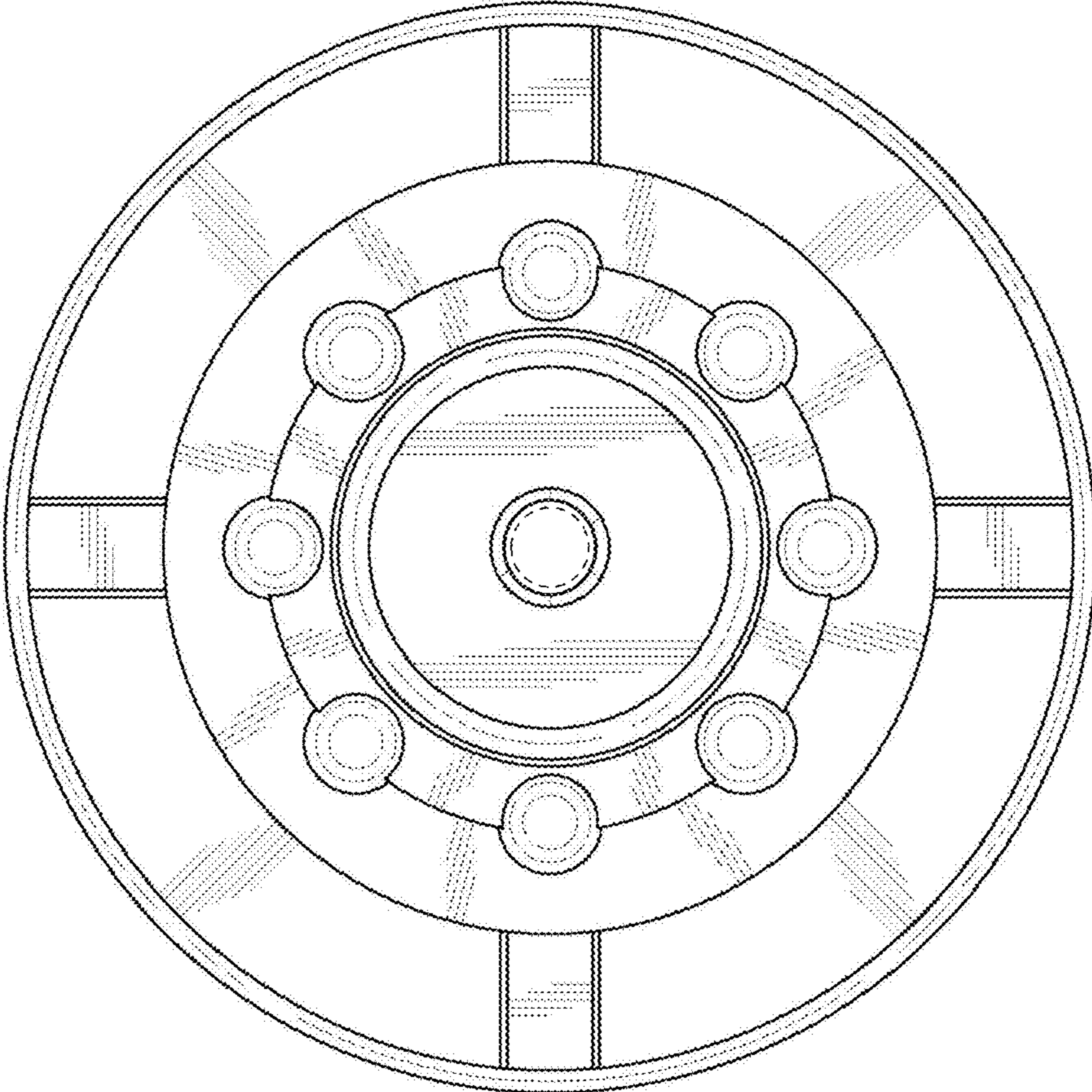


1.6

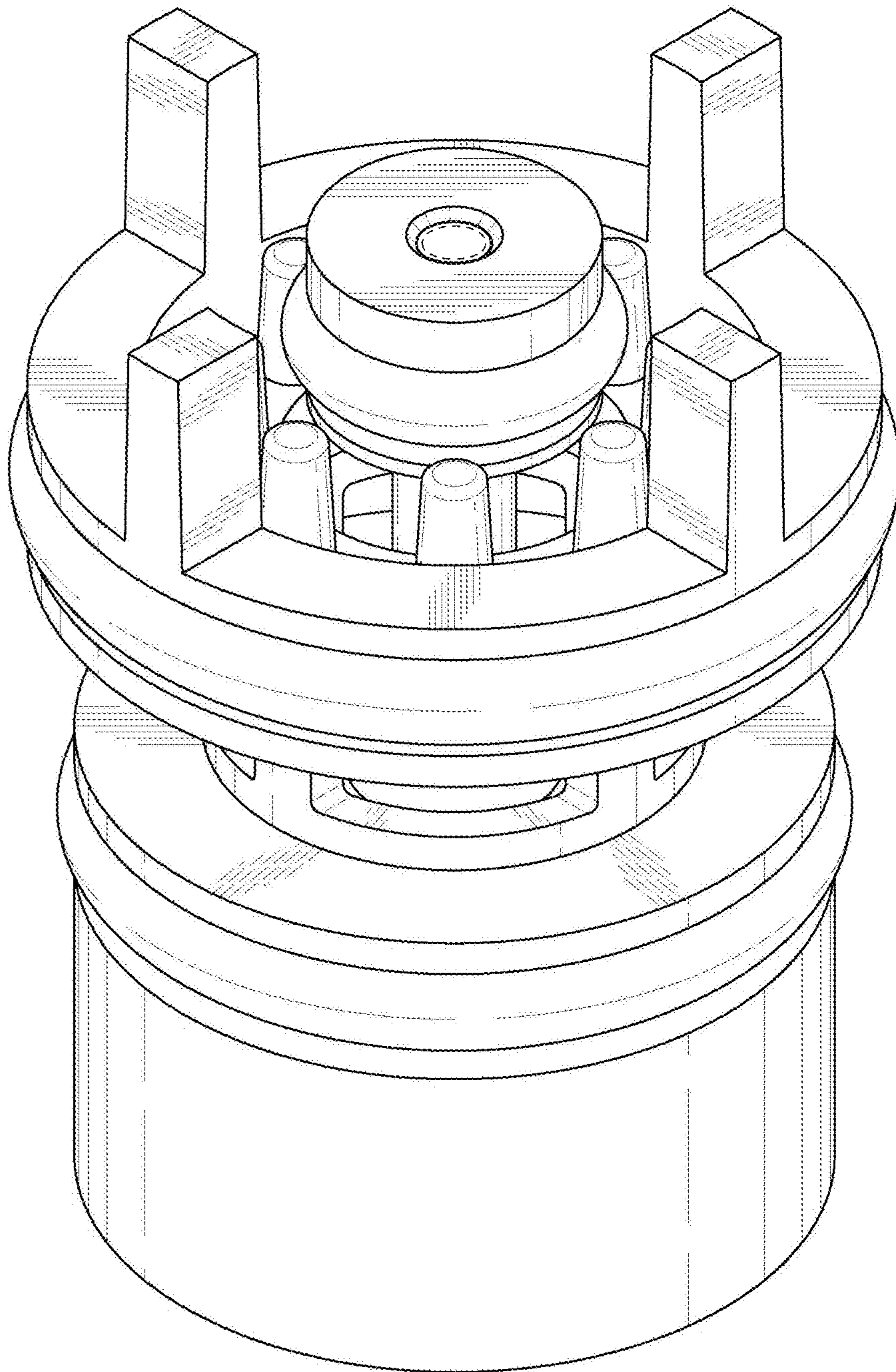




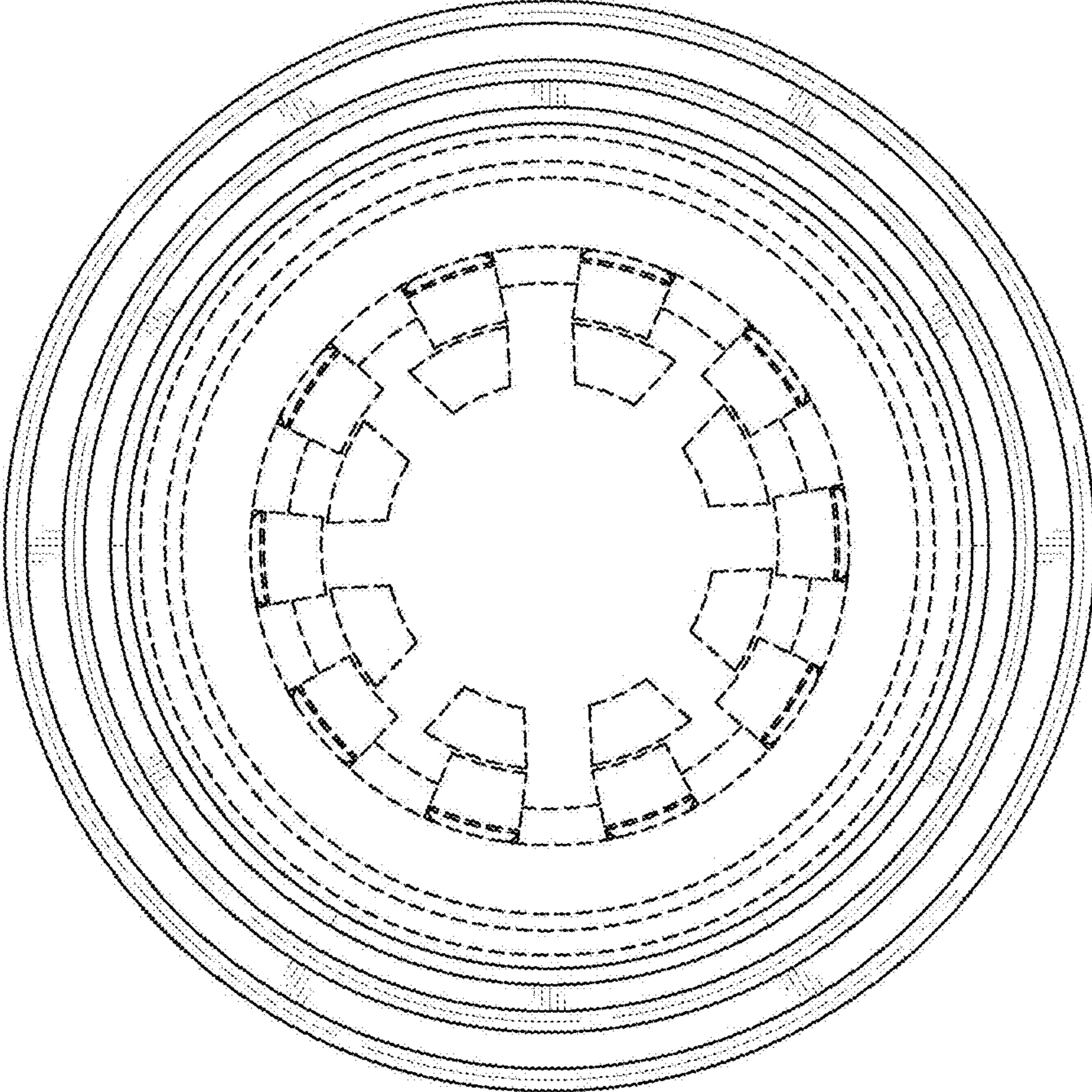
1.8



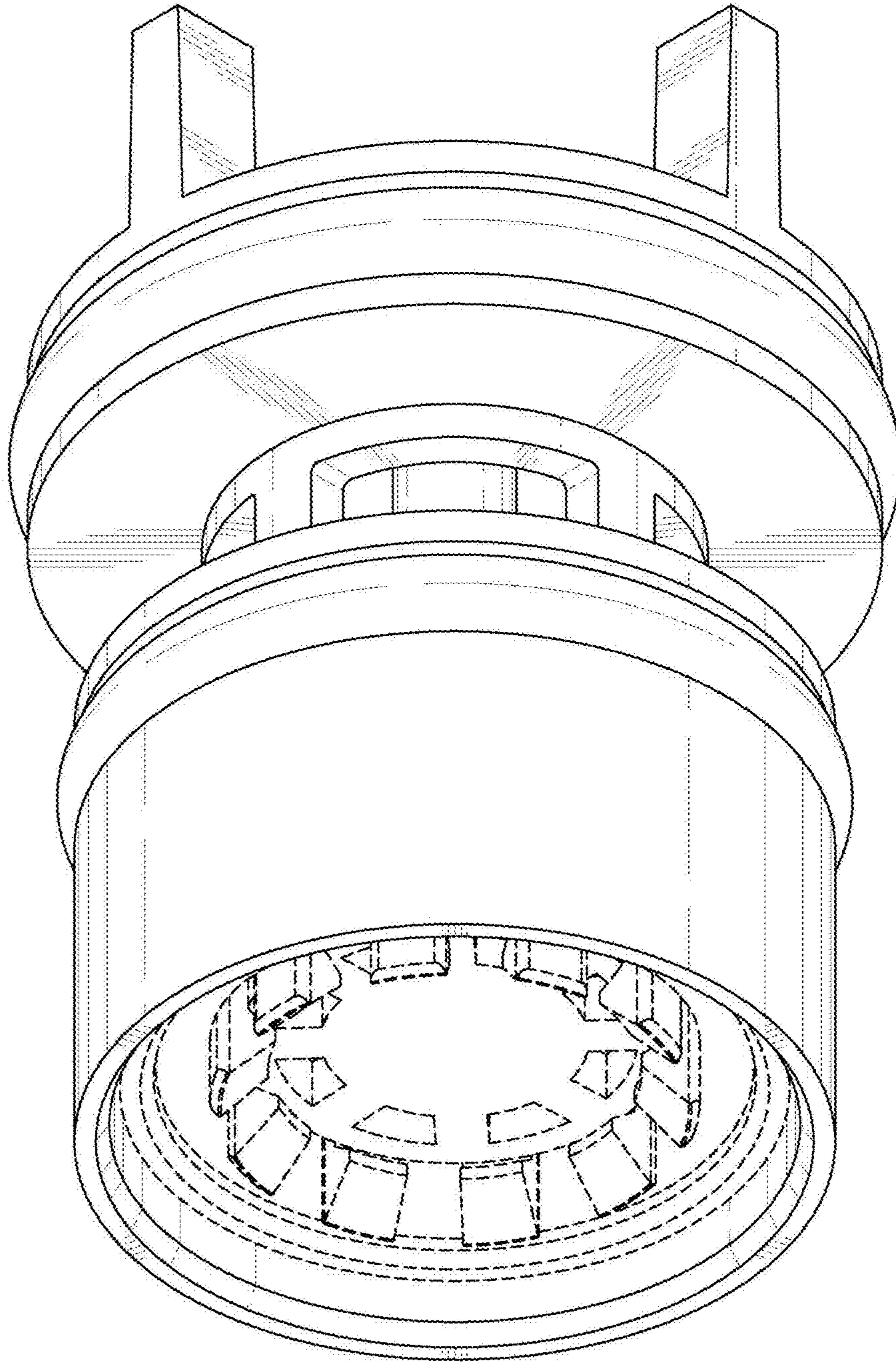
2.1



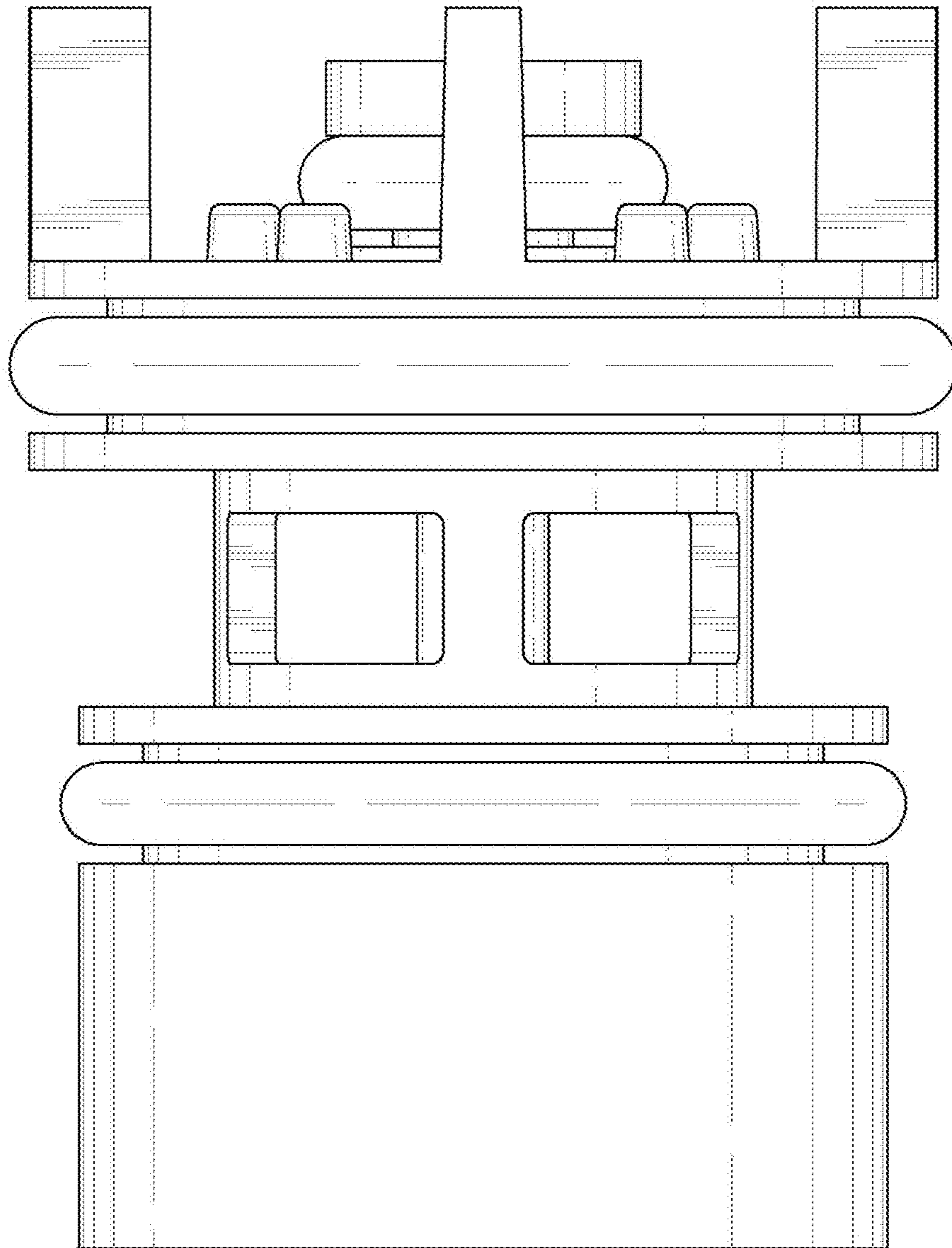
2.2



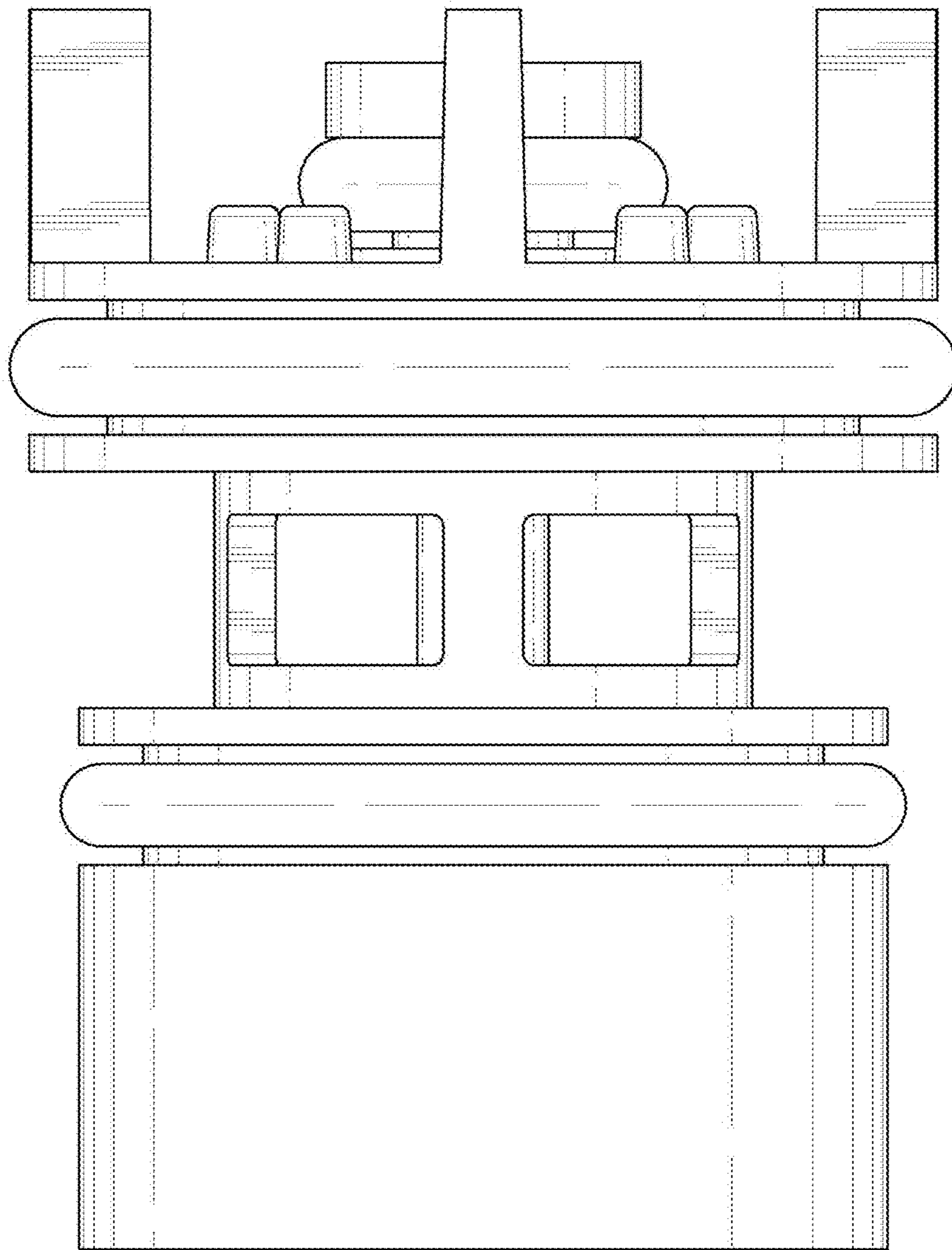
2.3



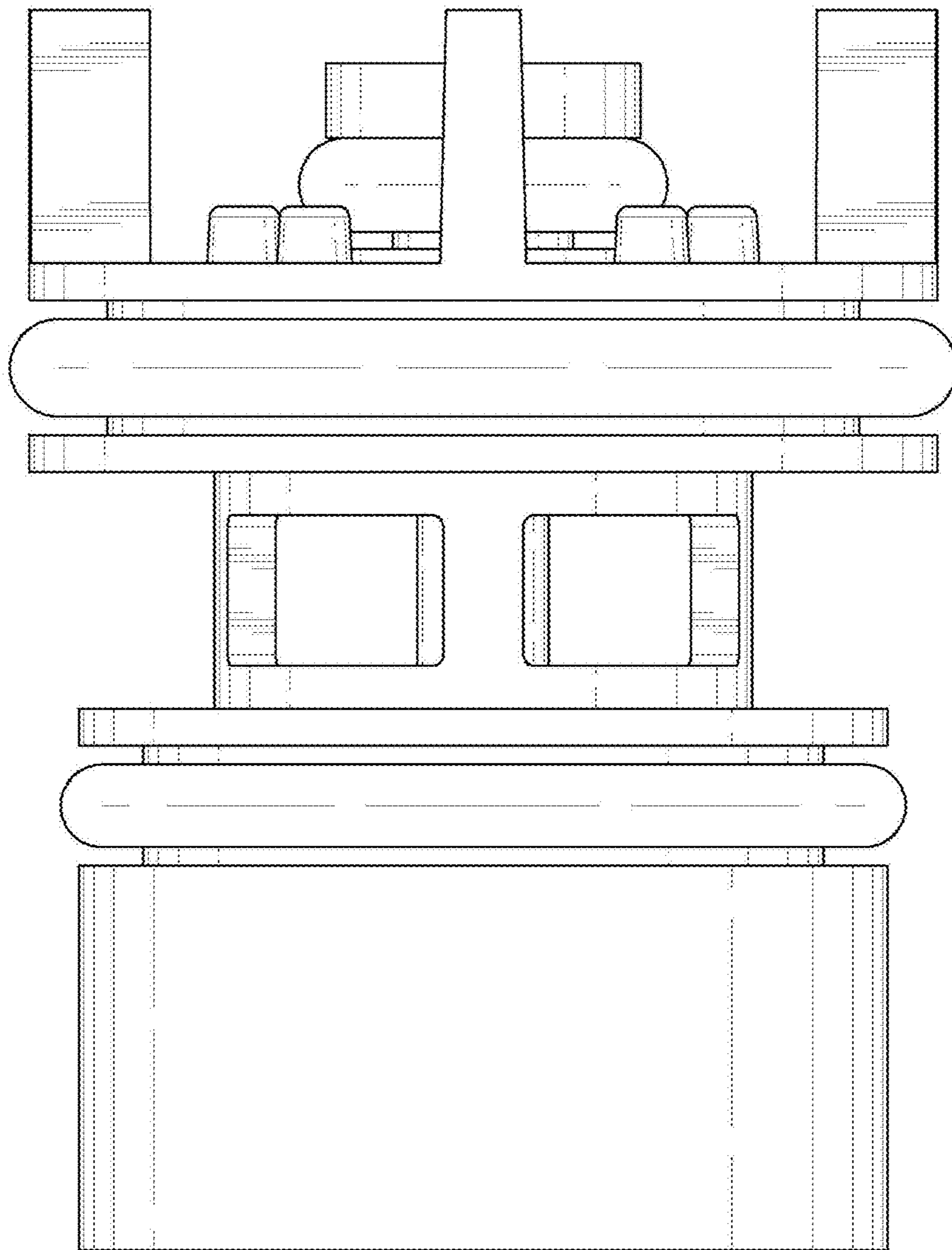
2.4



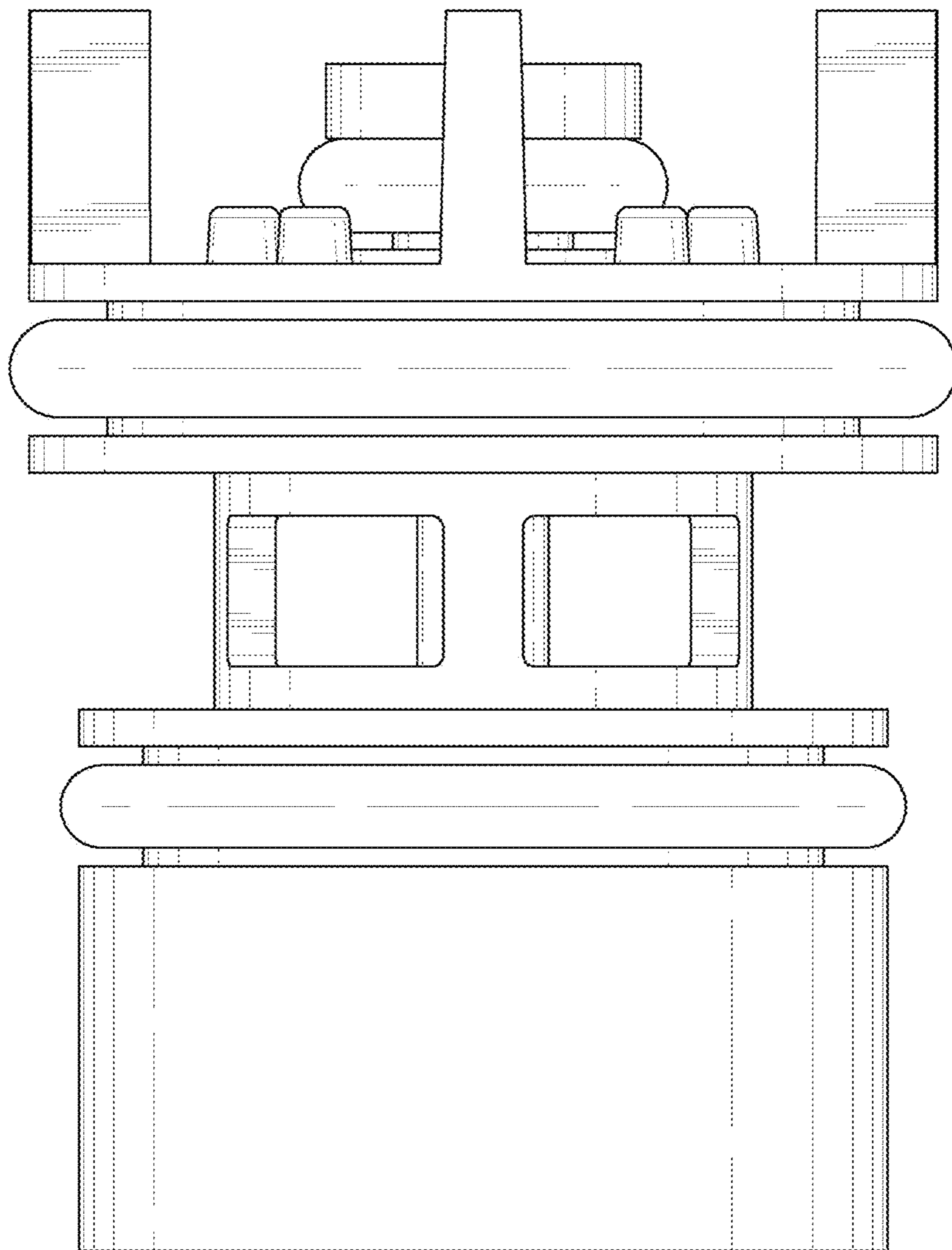
2.5



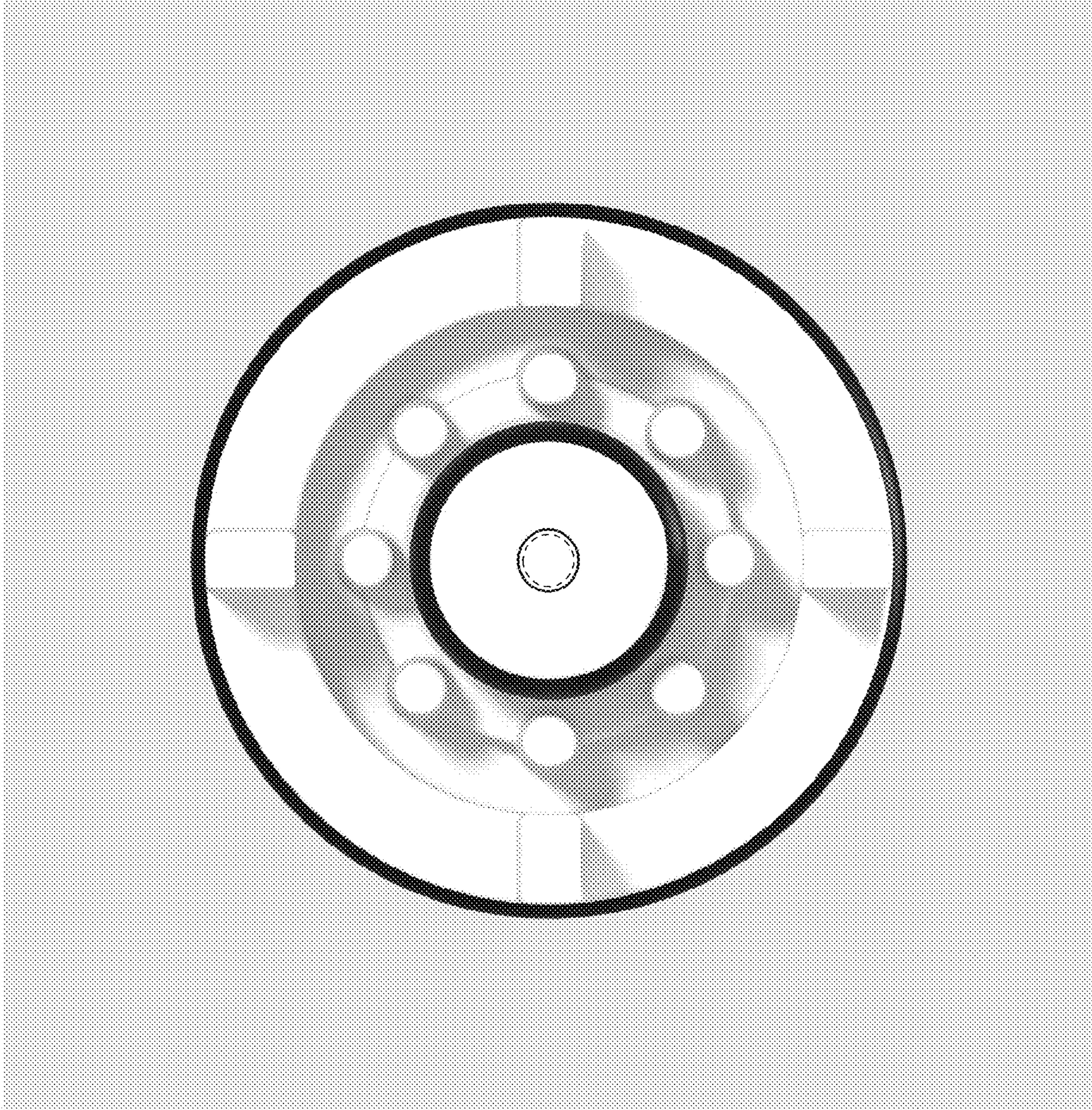
2.6



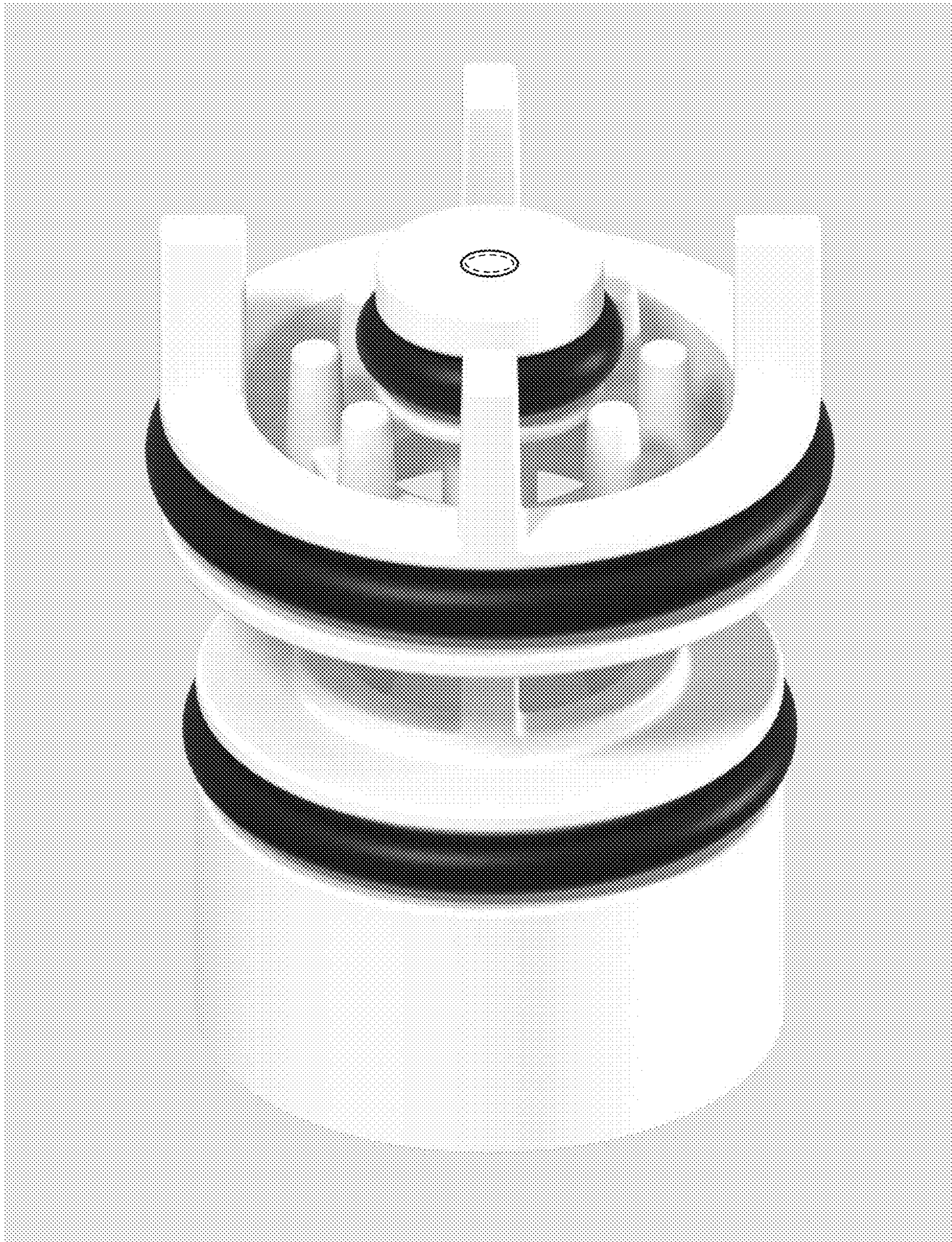
2.7

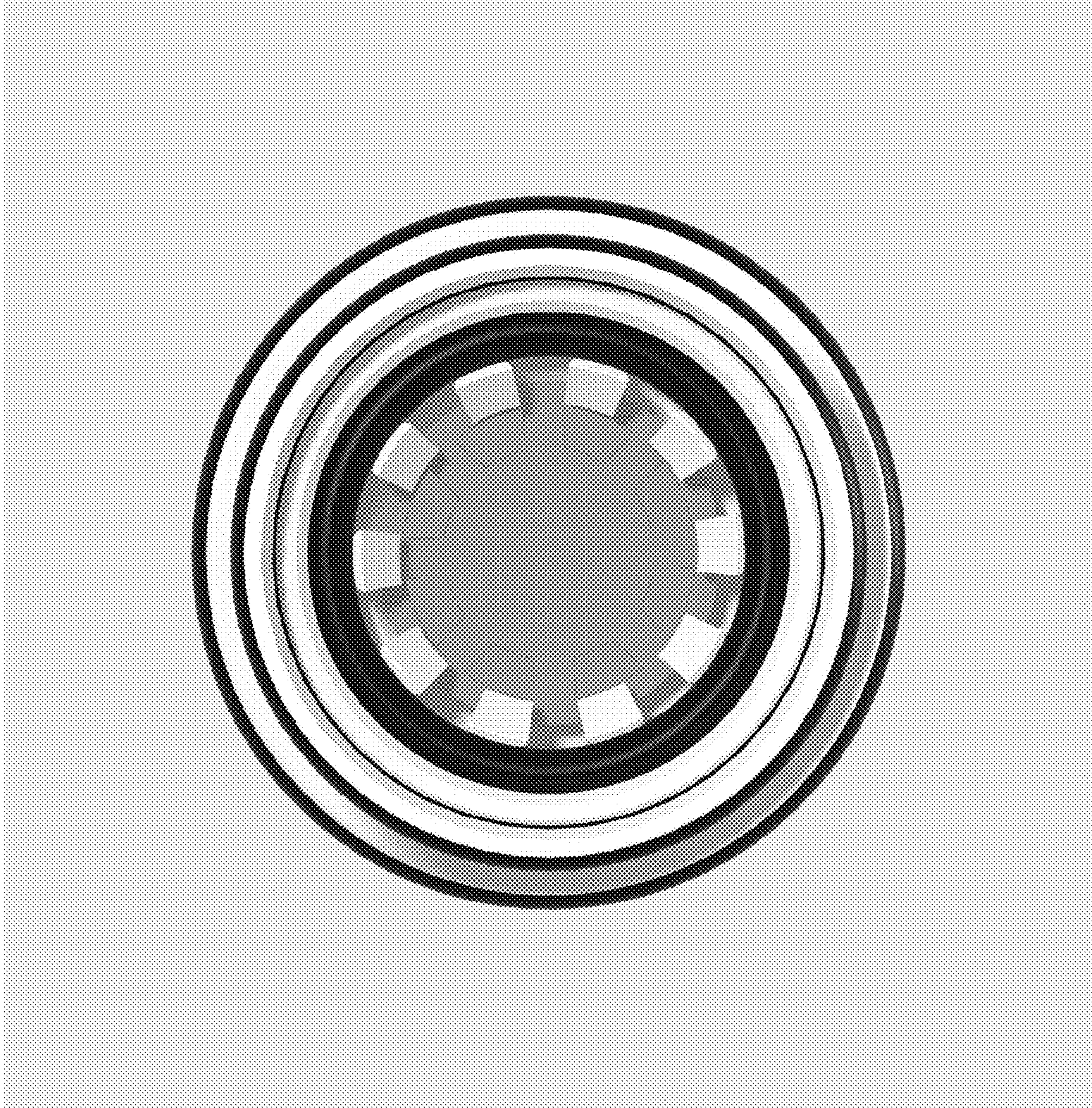


2.8

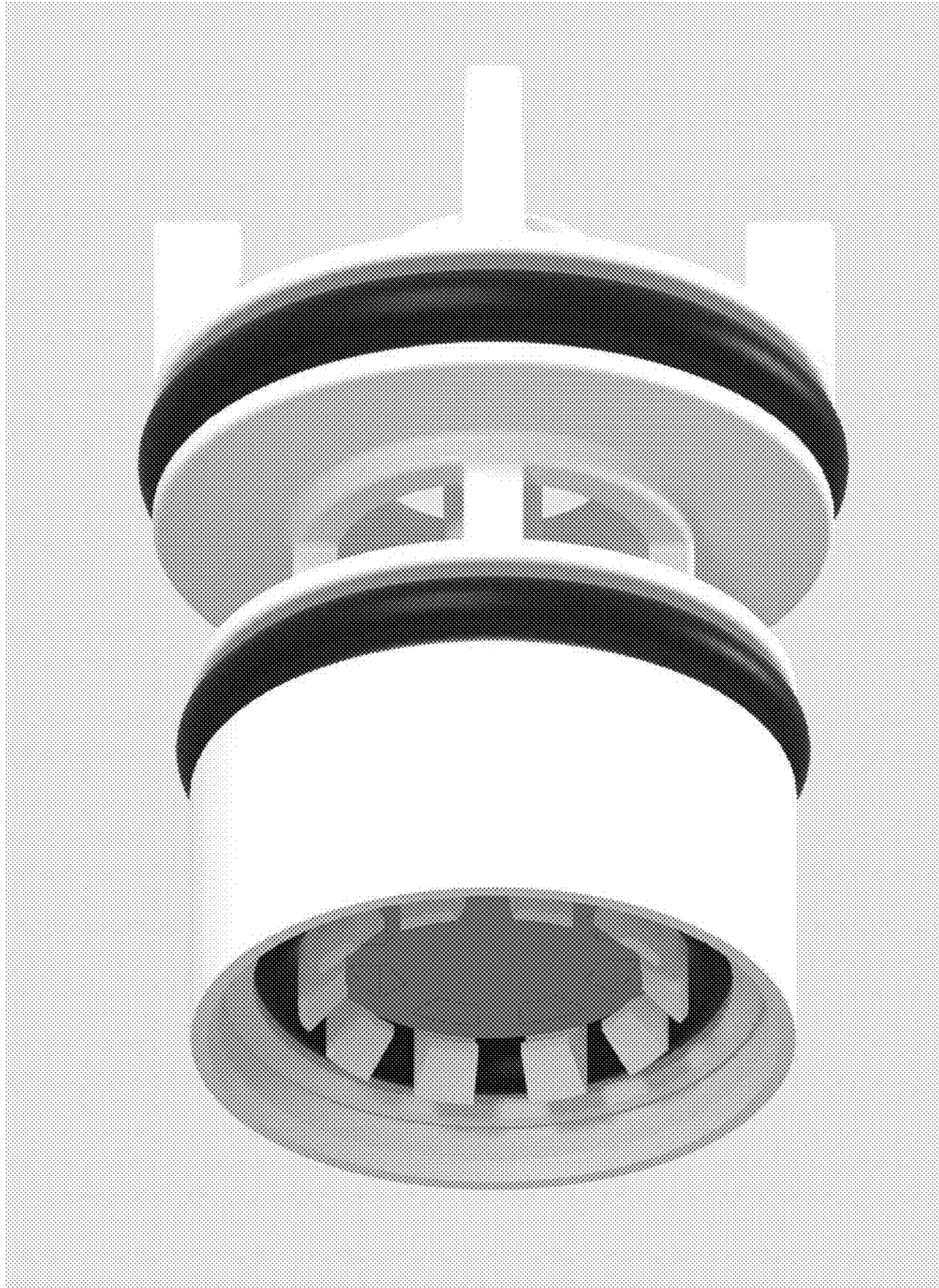


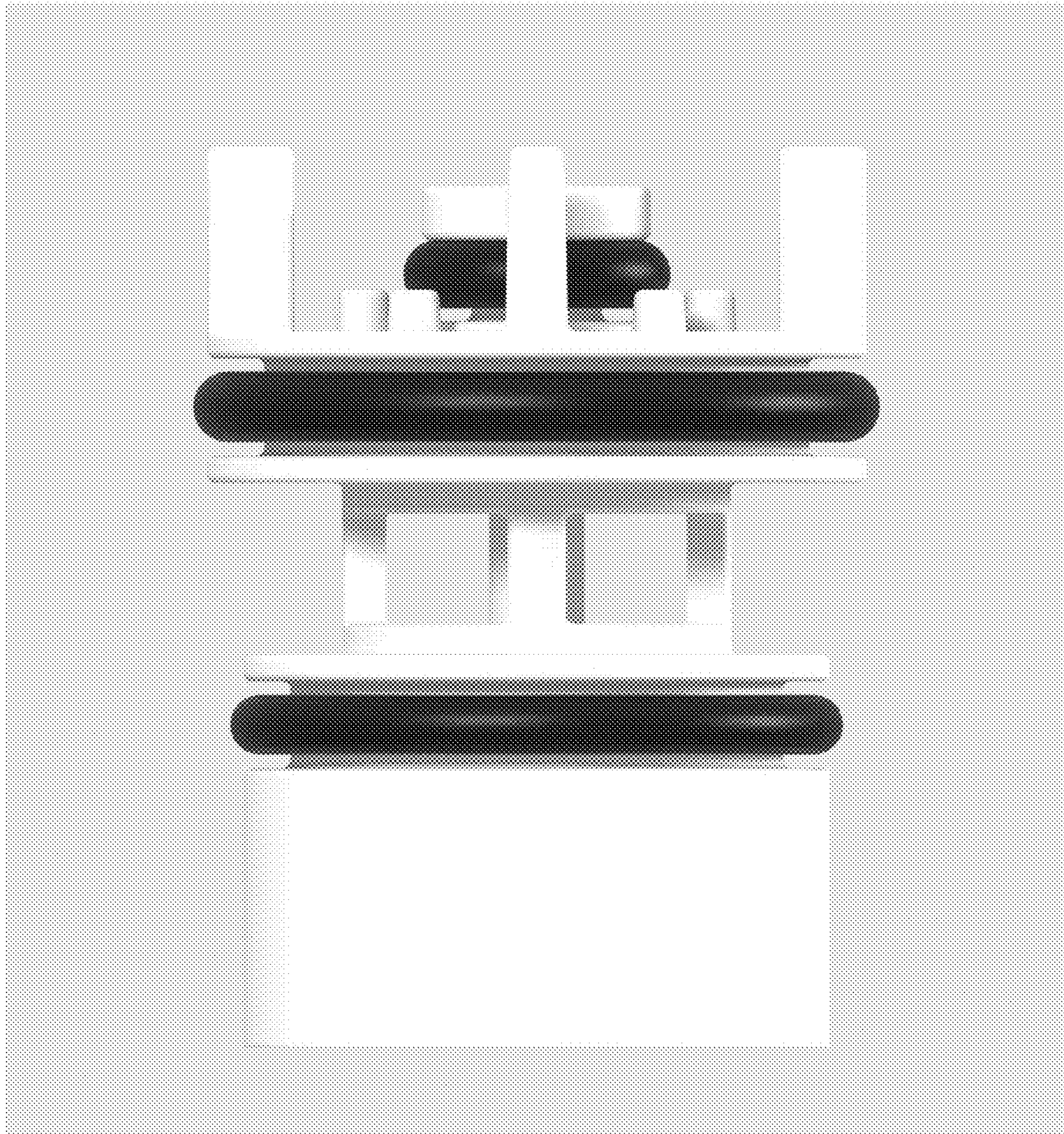
3.1

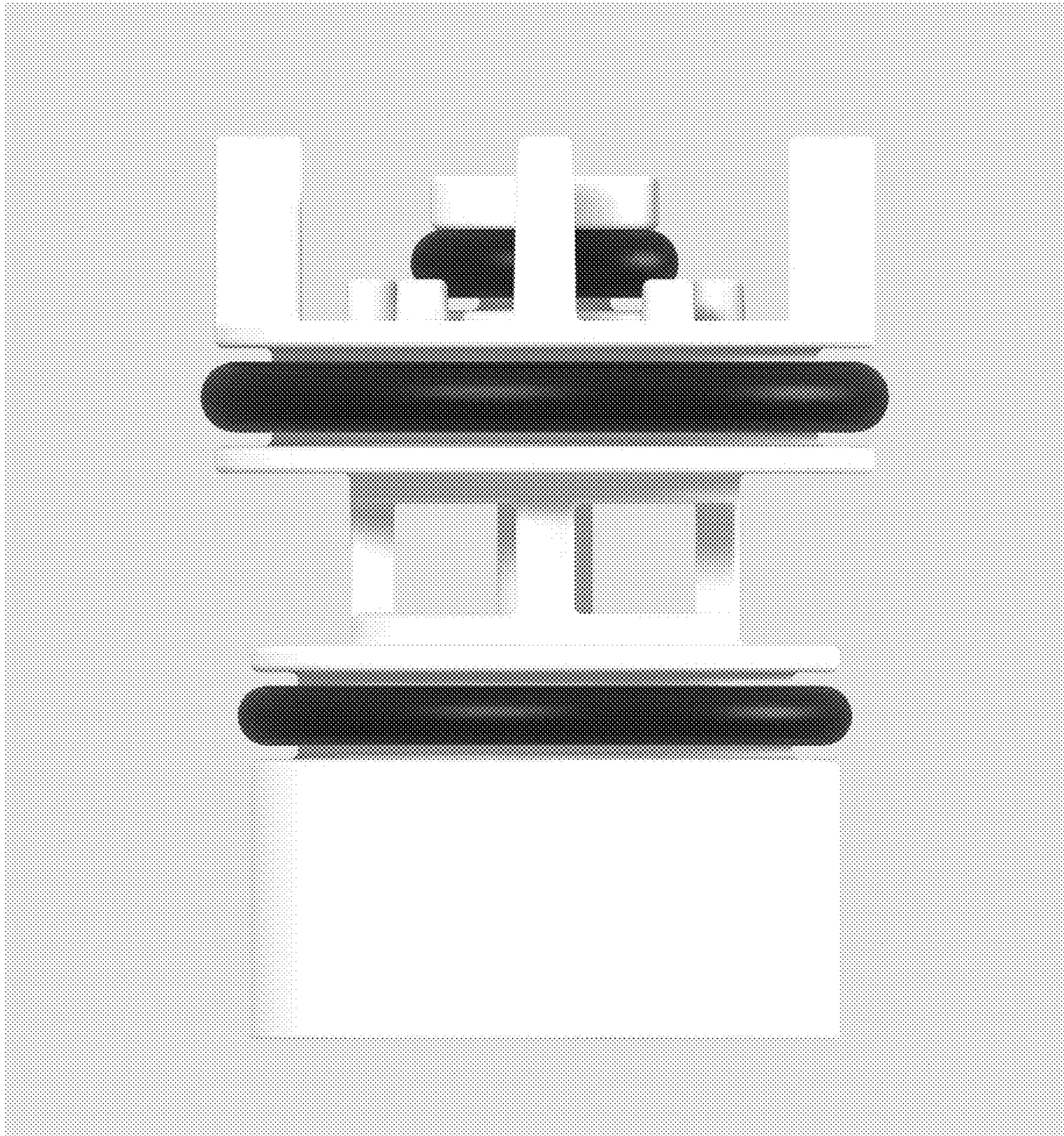




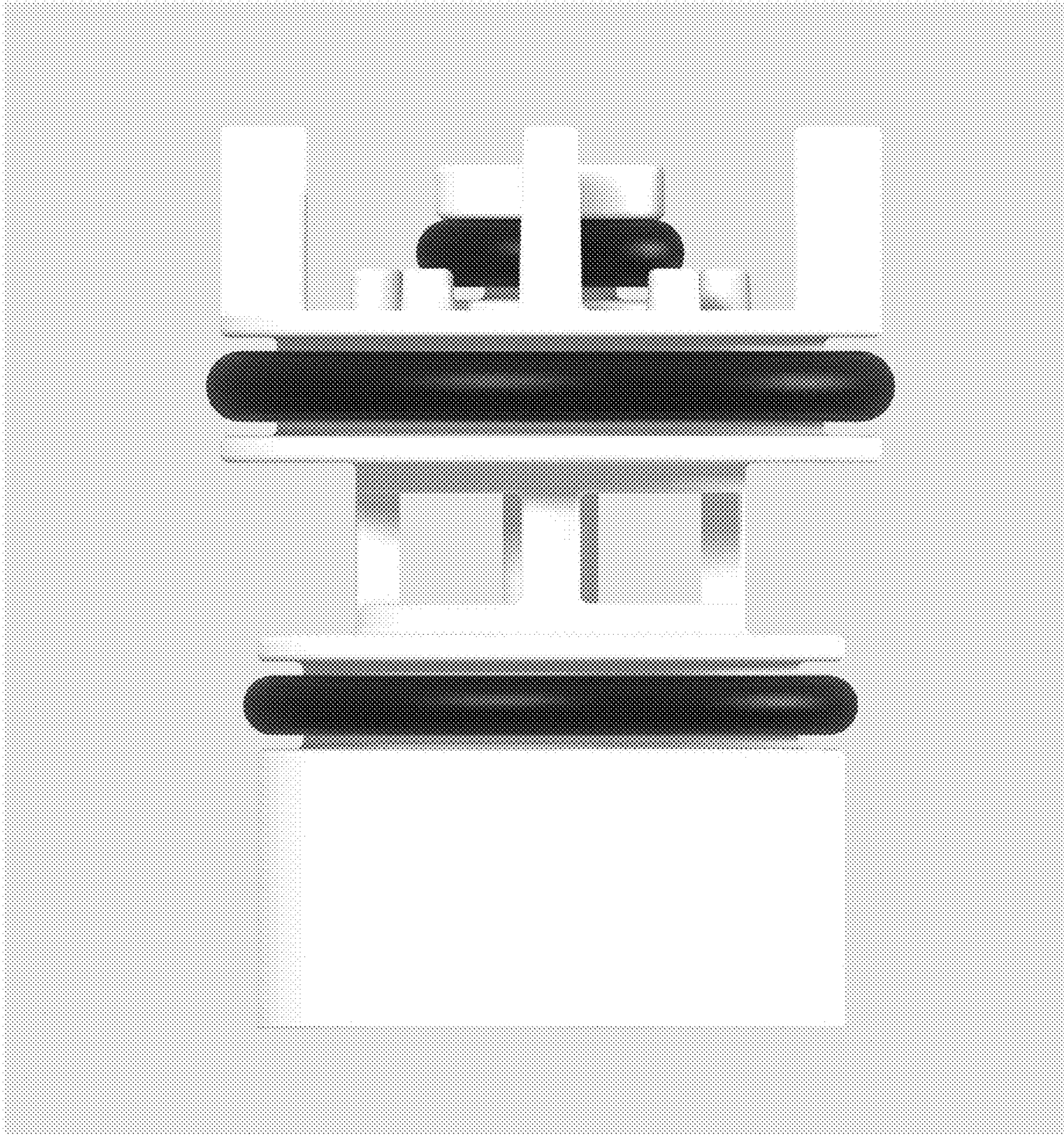
3.3

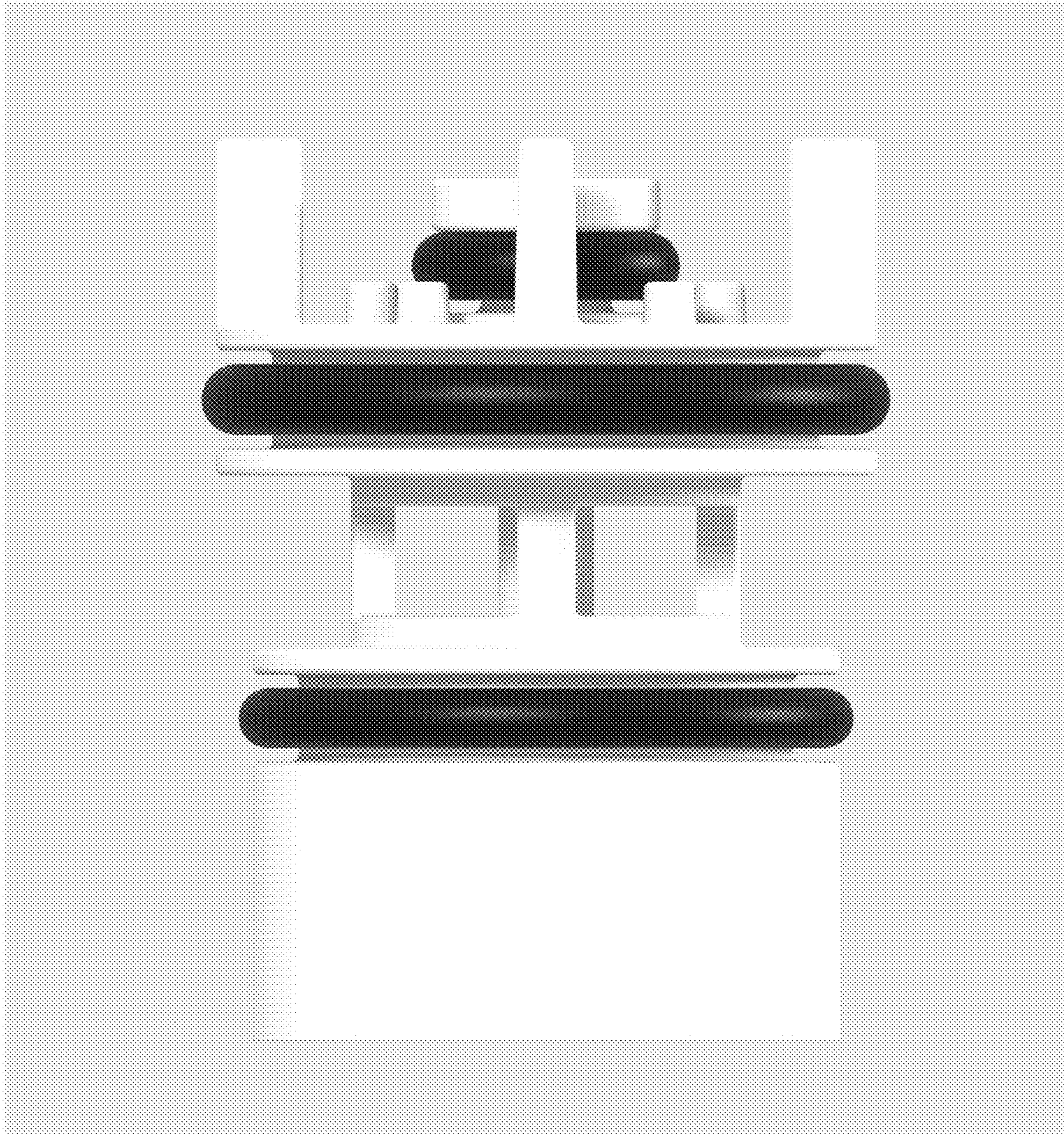


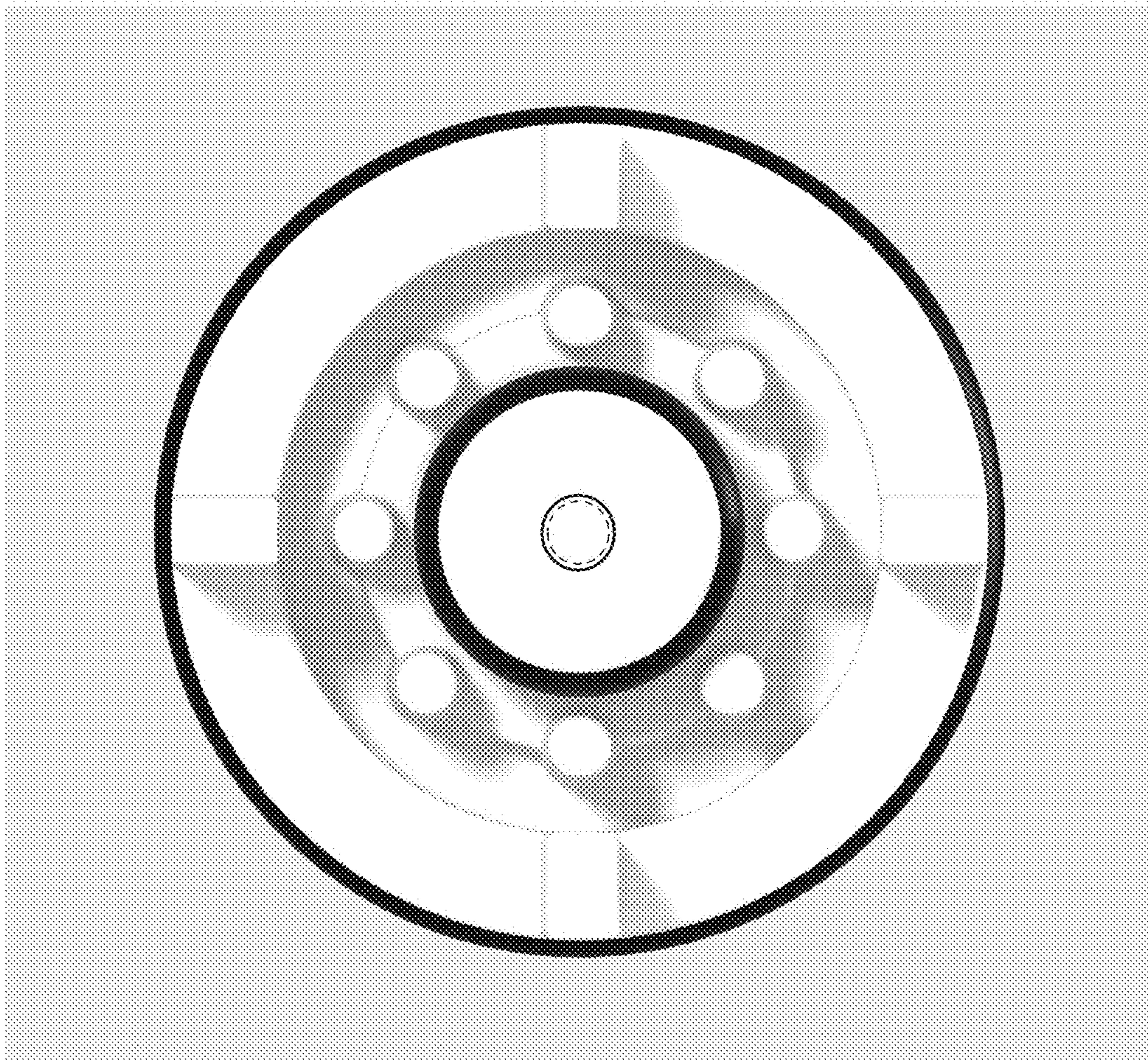




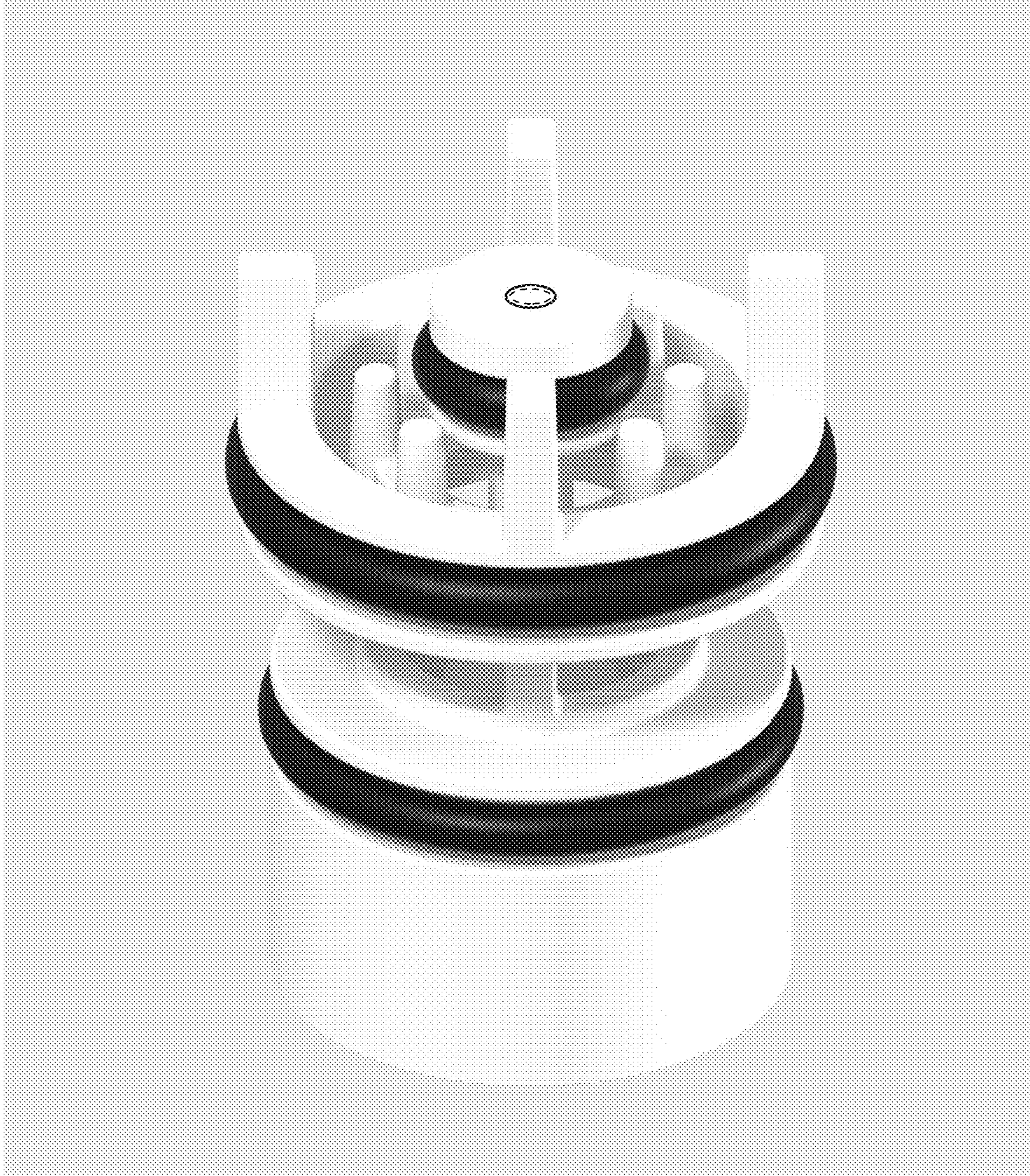
3.6



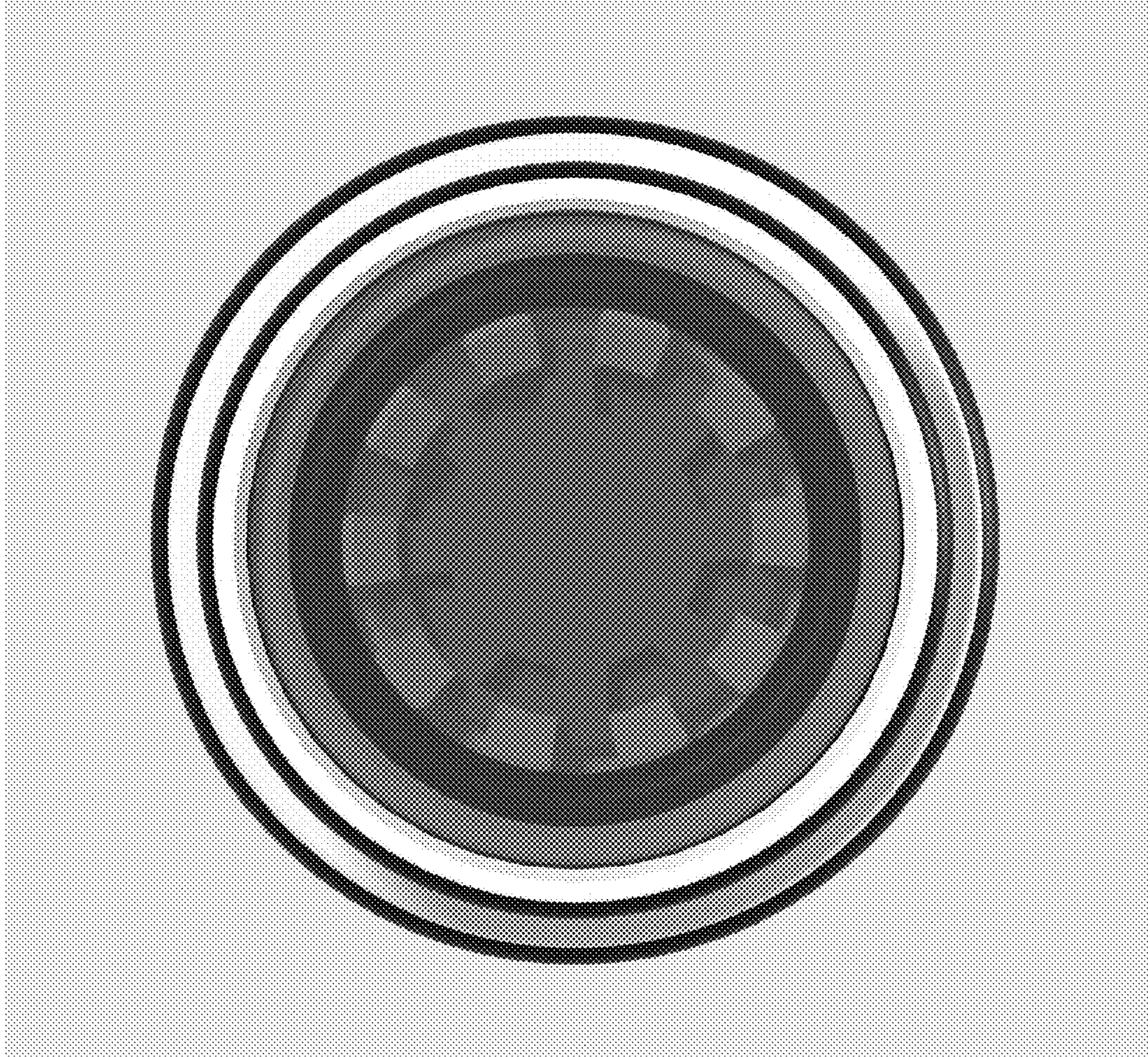




4.1



4.2



4.3

