



US00D902350S

(12) **United States Design Patent**  
**Chen**

(10) **Patent No.:** **US D902,350 S**

(45) **Date of Patent:** **\*\* Nov. 17, 2020**

- (54) **GARDENING SPRAY GUN**
- (71) Applicant: **SHIN TAI SPURT WATER OF THE GARDEN TOOLS CO., LTD.,**  
Chang-Hua Hsien (TW)
- (72) Inventor: **Chin-Yuan Chen,** Chang-Hua Hsien (TW)
- (73) Assignee: **SHIN TAI SPURT WATER OF THE GARDEN TOOLS CO., LTD.,**  
Chang-Hua Hsien (TW)

- D512,122 S \* 11/2005 Yorns ..... D23/223
- D542,381 S \* 5/2007 Jou ..... D23/226
- D553,223 S \* 10/2007 Yu ..... D23/226
- D578,603 S \* 10/2008 Khaitov ..... D23/213
- D629,067 S \* 12/2010 Carpanese ..... D23/226
- D636,848 S \* 4/2011 Fontaine ..... D23/226
- D745,636 S \* 12/2015 Lin ..... D23/226
- D746,945 S \* 1/2016 Naslund ..... D23/223
- D746,947 S \* 1/2016 Naslund ..... D23/223
- D770,594 S \* 11/2016 Dammkoehler ..... D23/226
- D782,005 S \* 3/2017 Naslund ..... D23/223
- D824,490 S \* 7/2018 Montoya ..... D23/223
- D824,491 S \* 7/2018 Montoya ..... D23/223
- D824,492 S \* 7/2018 Chen ..... D23/223
- 10,213,800 B2 \* 2/2019 Chen ..... B05B 12/002

(\*\*) Term: **15 Years**

(21) Appl. No.: **29/693,125**

(22) Filed: **May 31, 2019**

(51) **LOC (12) Cl.** ..... **23-01**

(52) **U.S. Cl.**  
USPC ..... **D23/226**

(58) **Field of Classification Search**  
USPC ..... D23/213, 214, 215, 223, 224, 226, 229, D23/230  
CPC ..... A61H 9/0021; A61H 33/00; B05B 1/00; B05B 1/14; B05B 1/185; B05B 1/08; B05B 1/02; B05B 1/26; B05B 12/002; B05B 9/01

See application file for complete search history.

(56) **References Cited**

**U.S. PATENT DOCUMENTS**

- D410,995 S \* 6/1999 Hsin-Fa ..... D23/226
- D411,607 S \* 6/1999 Wang ..... D23/226
- D415,251 S \* 10/1999 Kuo ..... D23/226
- D415,253 S \* 10/1999 Kuo ..... D23/226
- D421,483 S \* 3/2000 Patrick ..... D23/226
- D422,056 S \* 3/2000 Patrick ..... D23/226
- D451,582 S \* 12/2001 Kuo ..... D23/226
- D457,221 S \* 5/2002 Alkalay ..... D23/226
- D501,914 S \* 2/2005 Chen ..... D23/223

(Continued)

**OTHER PUBLICATIONS**

<https://www.amazon.com/dp/B07W4PHMN7/> (Year: 2019).\*

*Primary Examiner* — Manpreet S Matharu

*Assistant Examiner* — Keith J Wilson

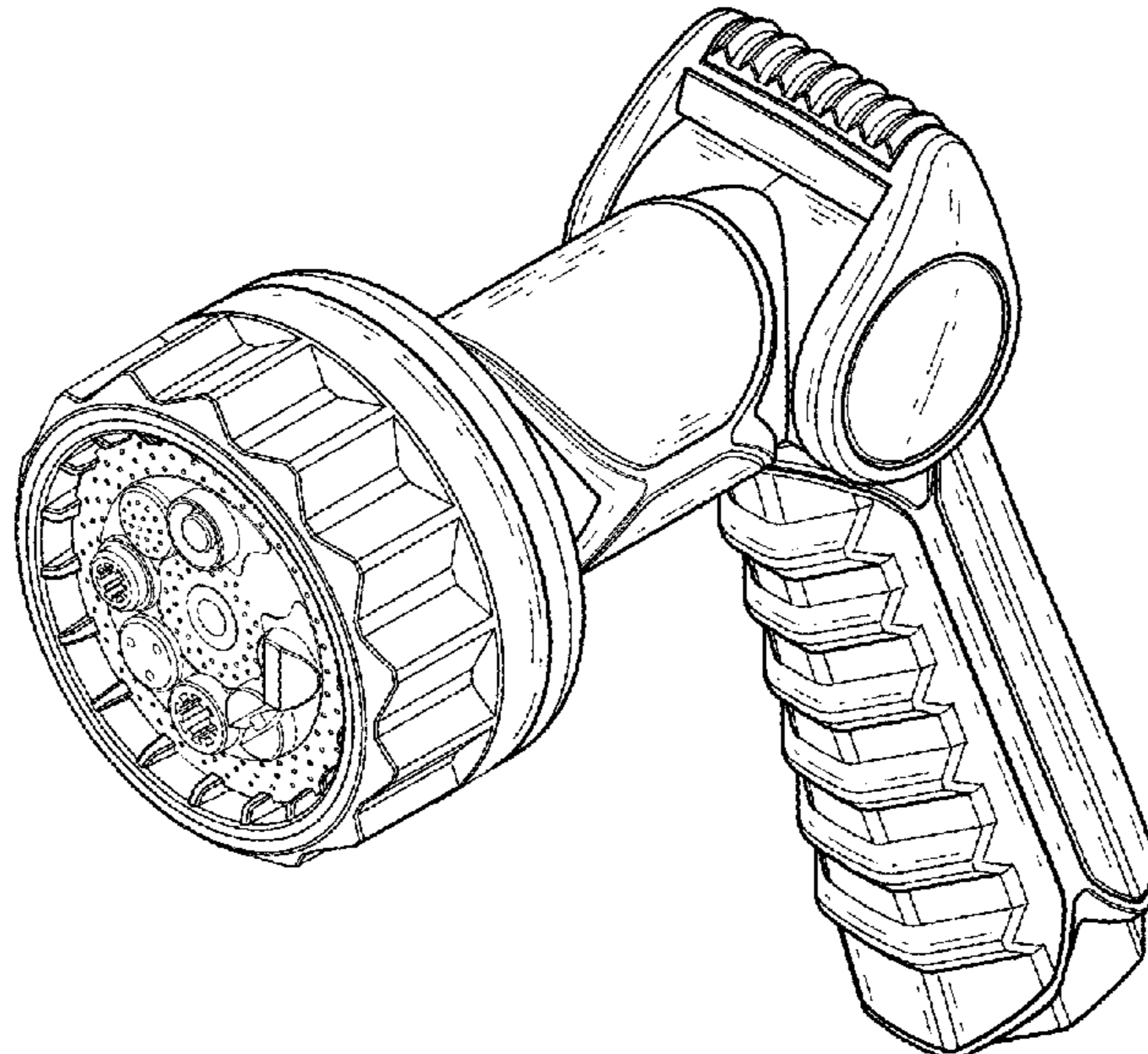
(57) **CLAIM**

The ornamental design for a gardening spray gun, as shown and described.

**DESCRIPTION**

FIG. 1 is a perspective view of a gardening spray gun showing my new design;  
 FIG. 2 is a front elevational view thereof;  
 FIG. 3 is a rear elevational view thereof;  
 FIG. 4 is a left side elevational view thereof;  
 FIG. 5 is a right side elevational view thereof;  
 FIG. 6 is a top plan view thereof;  
 FIG. 7 is a bottom plan view thereof; and,  
 FIG. 8 is another perspective schematic view of a gardening spray gun showing my design.  
 The broken lines shown represent portions of a gardening spray gun and form no part of the claimed design.

**1 Claim, 6 Drawing Sheets**



(56)

**References Cited**

U.S. PATENT DOCUMENTS

2015/0343467 A1\* 12/2015 Chen ..... B05B 9/01  
239/526

\* cited by examiner

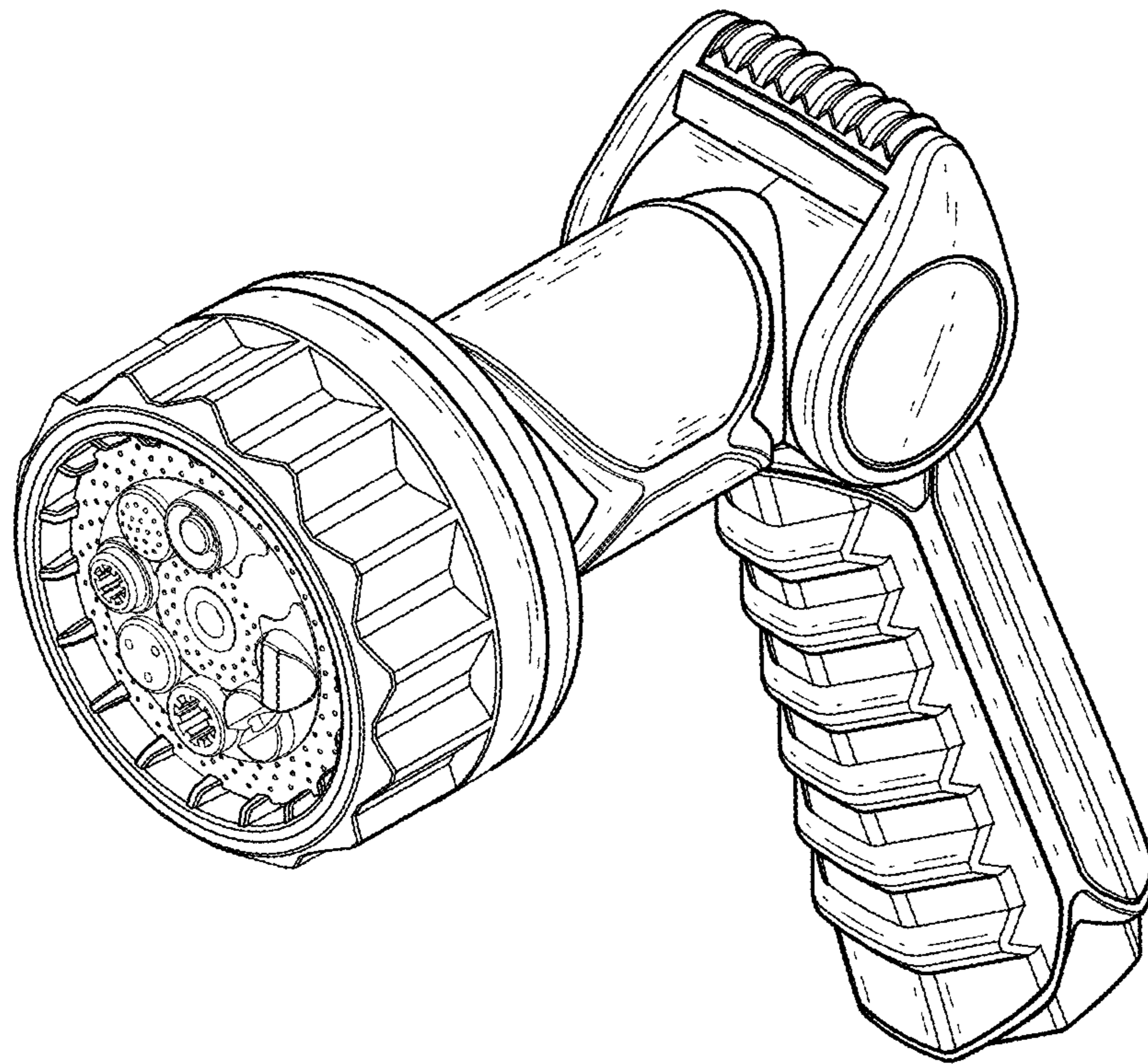


FIG.1

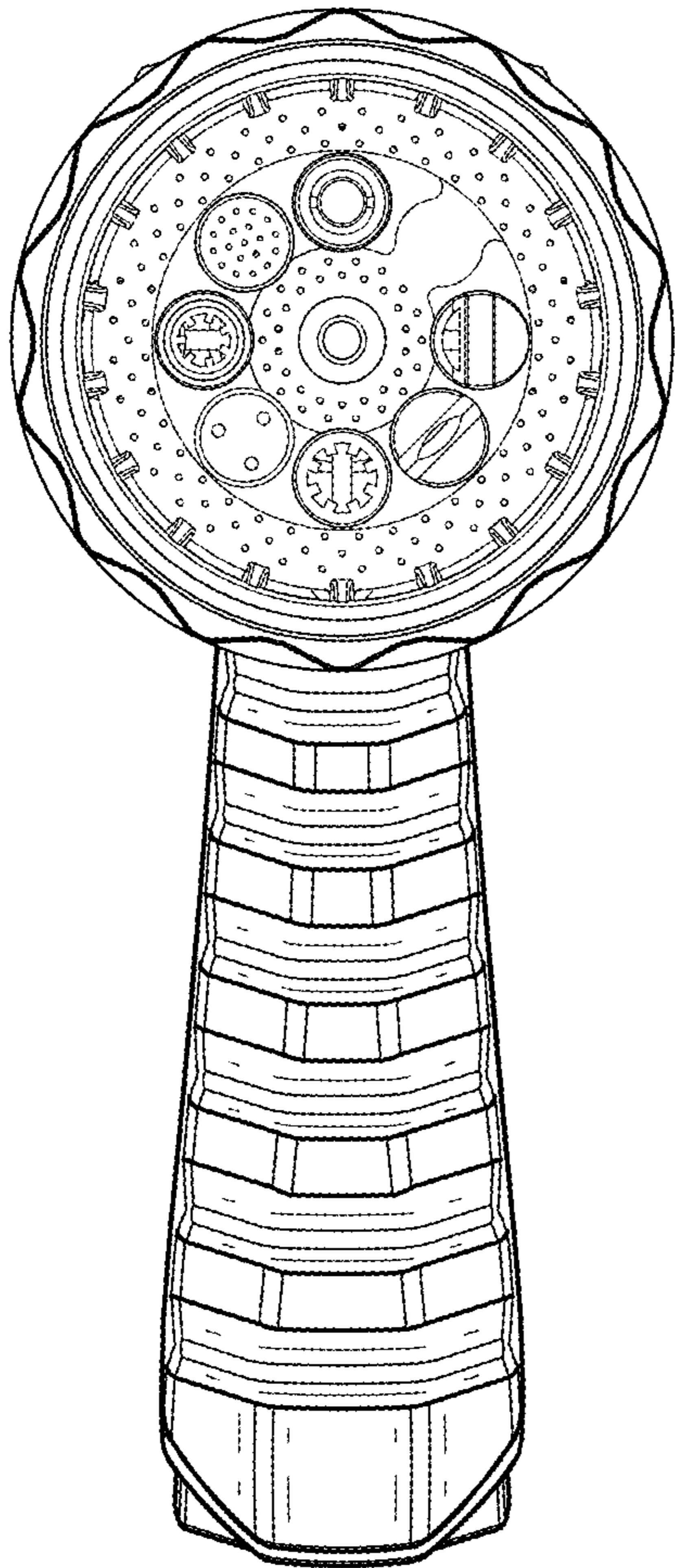


FIG.2

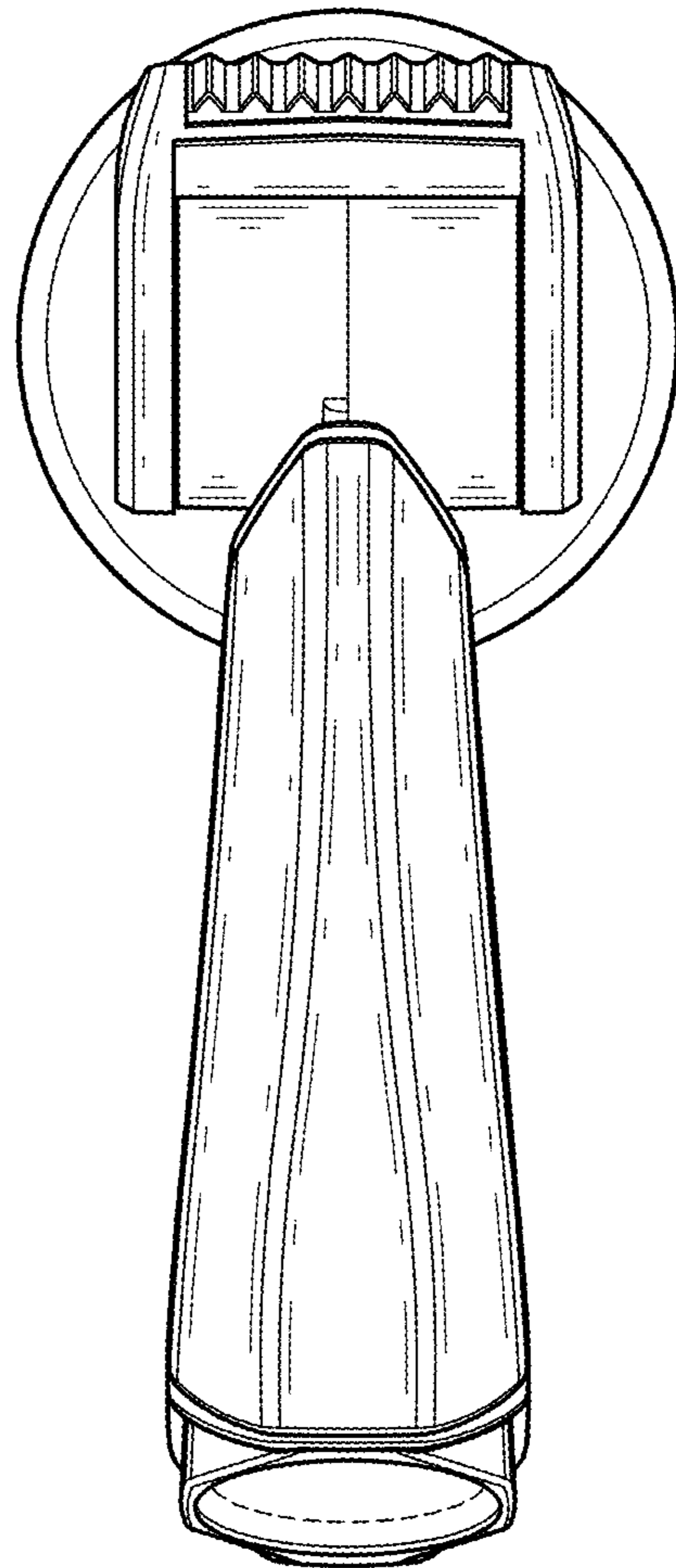


FIG.3

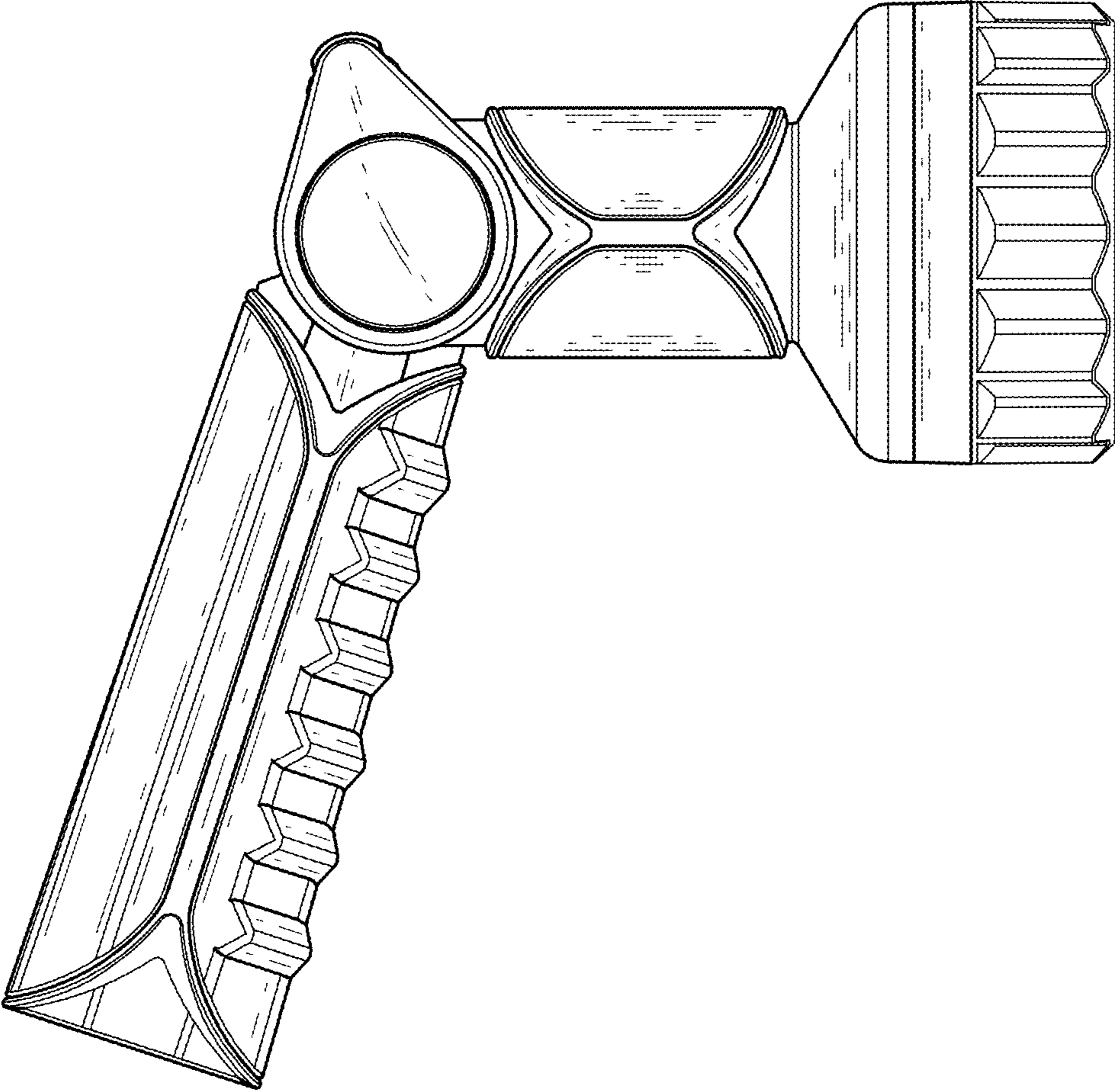


FIG.4

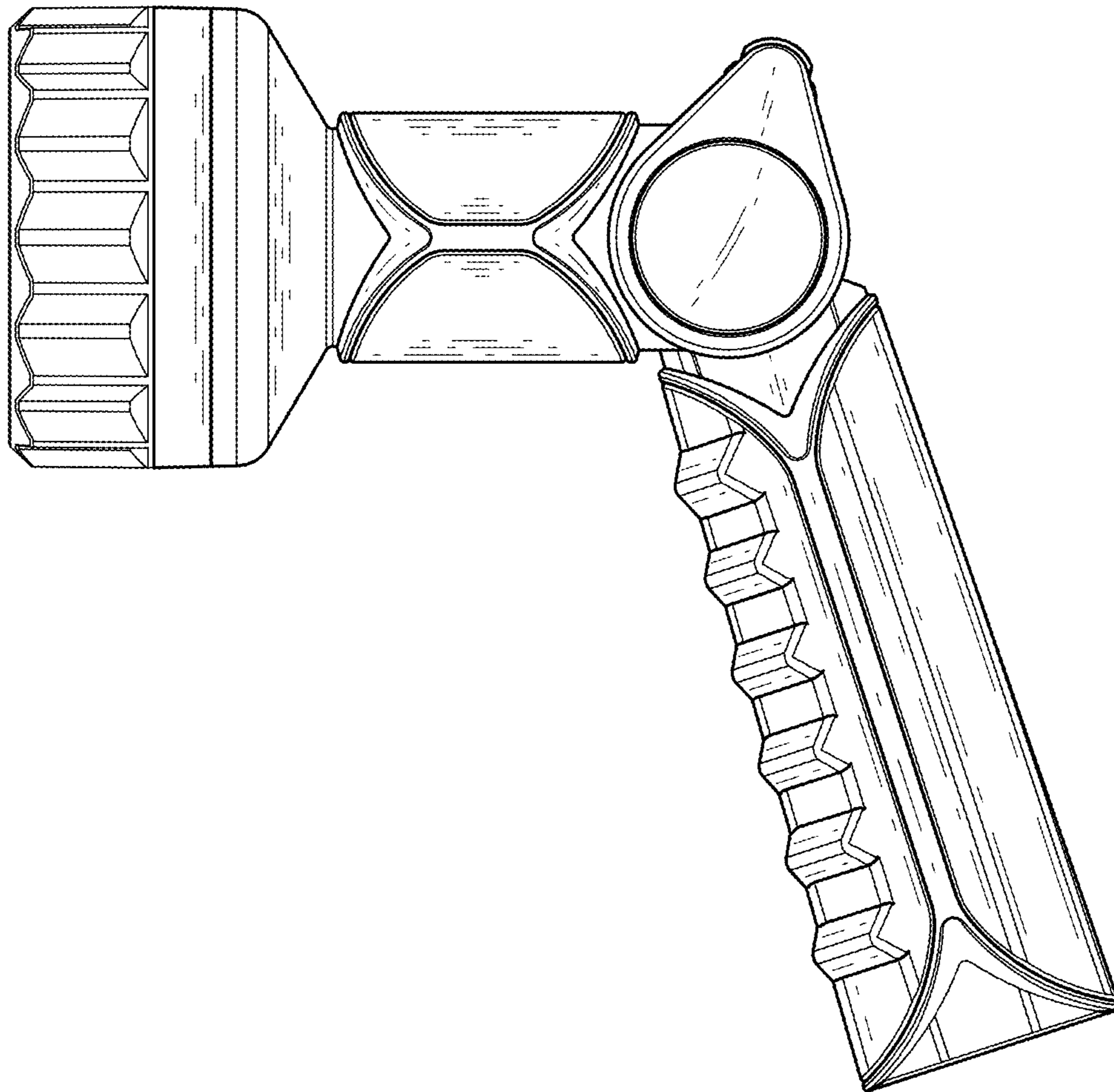


FIG.5

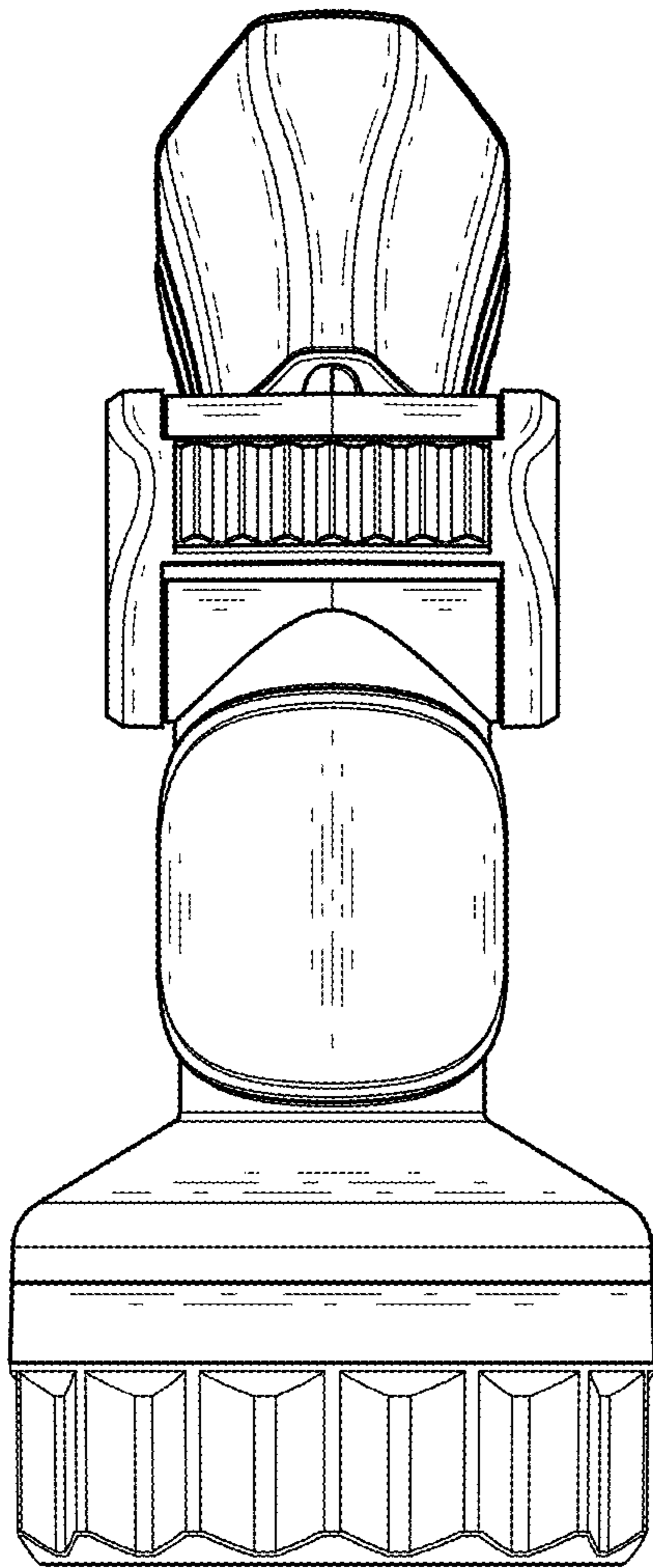


FIG. 6

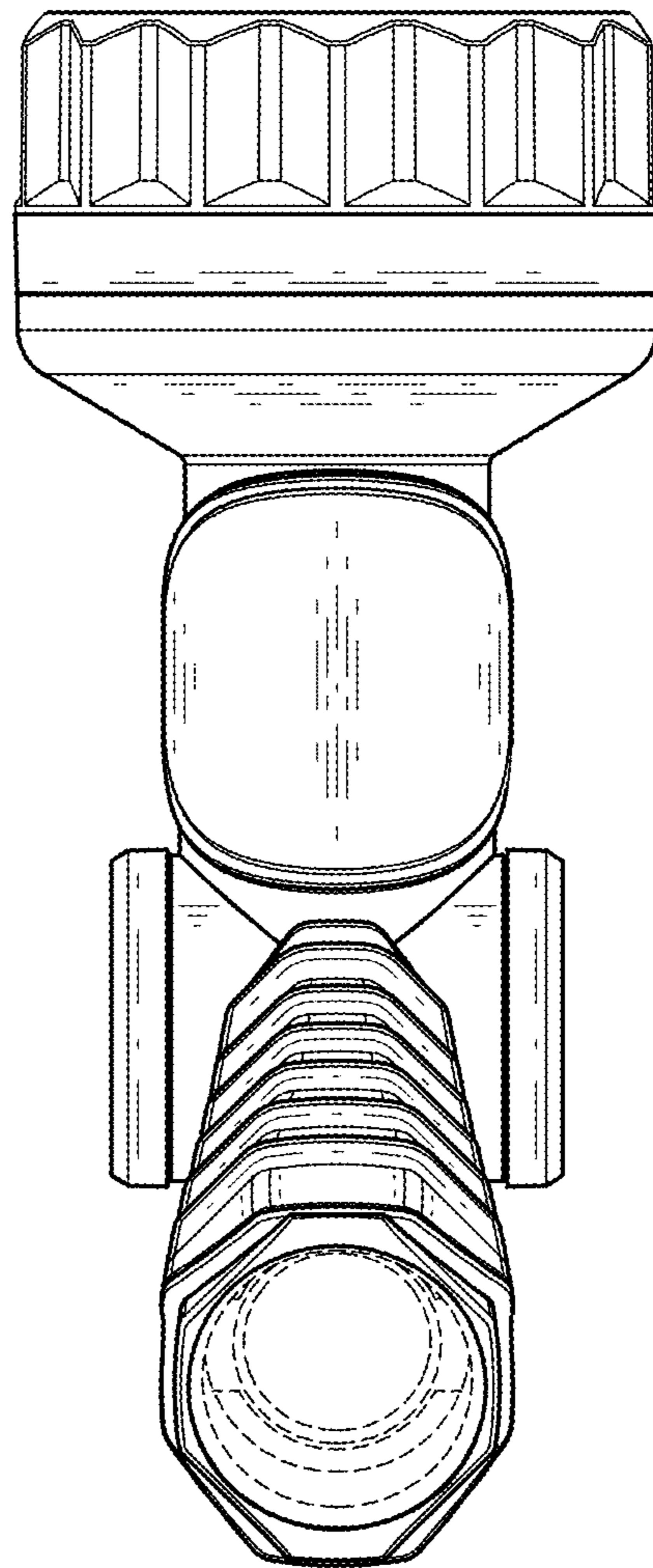


FIG. 7

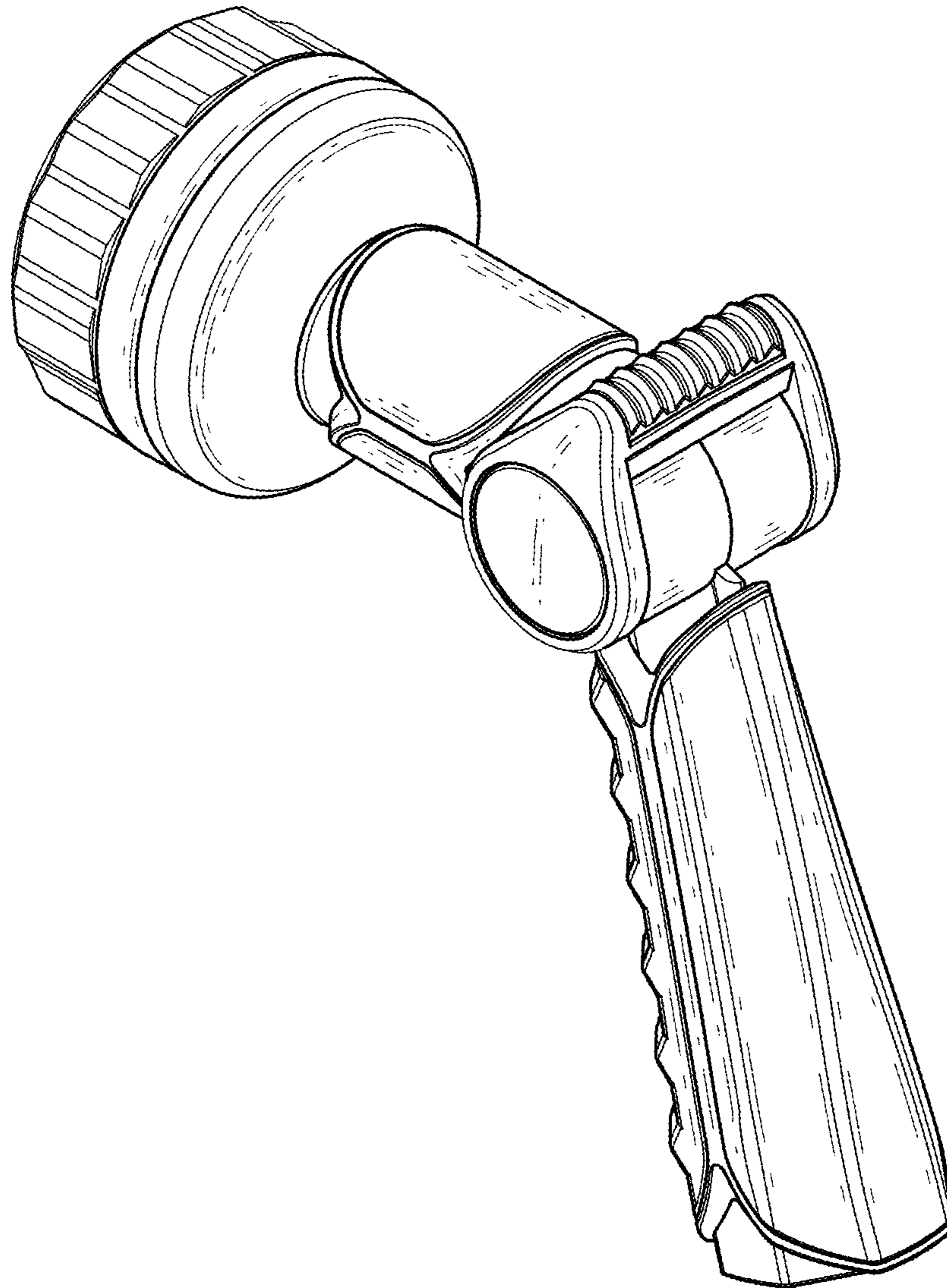


FIG.8