



US00D902349S

(12) **United States Design Patent**  
**Gutekunst et al.**

(10) **Patent No.:** **US D902,349 S**

(45) **Date of Patent:** **\*\* Nov. 17, 2020**

(54) **BACKPACK SPRAYER WITH INTERNAL PUMP**

(71) Applicant: **Chapin Manufacturing, Inc.**, Batavia, NY (US)

(72) Inventors: **Greg Gutekunst**, East Aurora, NY (US); **David Dubiel**, N. Chili, NY (US)

(73) Assignee: **Chapin Manufacturing, Inc.**, Batavia, NY (US)

(\*\*) Term: **15 Years**

(21) Appl. No.: **29/683,425**

(22) Filed: **Mar. 13, 2019**

(51) **LOC (12) Cl.** ..... **23-01**

(52) **U.S. Cl.**  
USPC ..... **D23/225**

(58) **Field of Classification Search**  
USPC .... D23/201, 202, 206, 211.1, 223–227, 247;  
D30/121, 132; D3/216  
CPC ..... A01K 7/00; B05B 9/08; B05B 9/0805;  
B05B 9/0811; B05B 9/0816; B05B  
9/0822  
See application file for complete search history.

(56) **References Cited**

U.S. PATENT DOCUMENTS

5,335,853 A \* 8/1994 Wirz ..... B05B 9/0877  
239/142  
D591,387 S \* 4/2009 Campbell ..... D23/202

D594,087 S \* 6/2009 Campbell ..... D23/202  
D618,300 S \* 6/2010 Hudson ..... D23/202  
D633,984 S \* 3/2011 Plantz ..... D23/202  
D749,192 S \* 2/2016 Fontaine ..... D23/225  
D755,926 S \* 5/2016 Wirz Luchsinger .....

B05B 9/0877

D23/202

2016/0038960 A1\* 2/2016 Fontaine ..... B05B 9/0861  
239/332

\* cited by examiner

*Primary Examiner* — Sheryl Lane

*Assistant Examiner* — Calvin E Vansant

(74) *Attorney, Agent, or Firm* — Woods Oviatt Gilman  
LLP; Katherine H. McGuire, Esq.

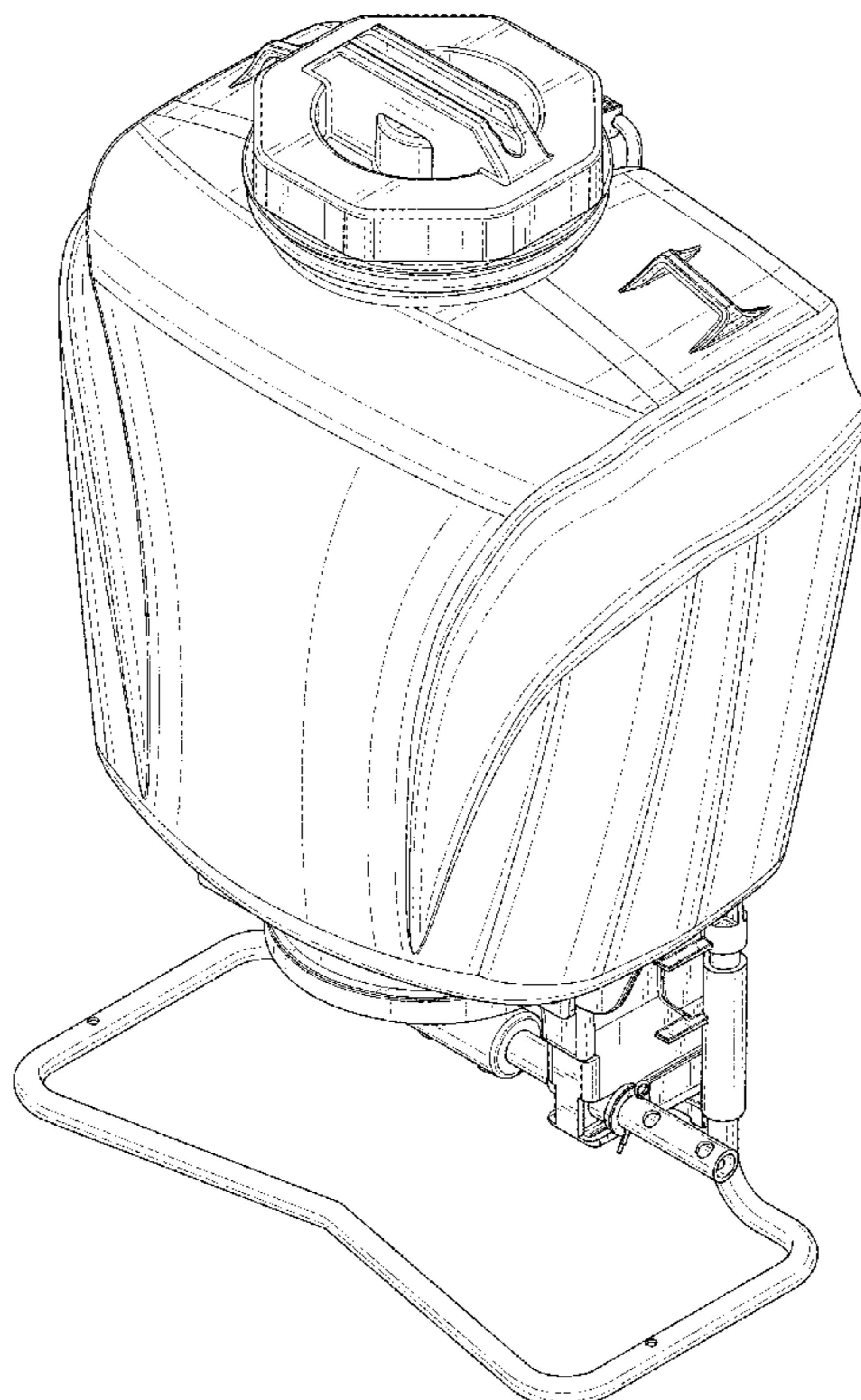
(57) **CLAIM**

The ornamental design of a backpack sprayer with internal pump, as shown and described.

**DESCRIPTION**

FIG. 1 is a top, front perspective view of a backpack sprayer with internal pump of our new design;  
FIG. 2 is a bottom, back perspective view thereof;  
FIG. 3 is a front view thereof;  
FIG. 4 is a back view thereof;  
FIG. 5 is a right side view thereof;  
FIG. 6 is a left side view thereof;  
FIG. 7 is a top view thereof; and,  
FIG. 8 is a bottom view thereof.  
The broken lines depict portions of the backpack sprayer with internal pump that form no part of the claim.

**1 Claim, 8 Drawing Sheets**



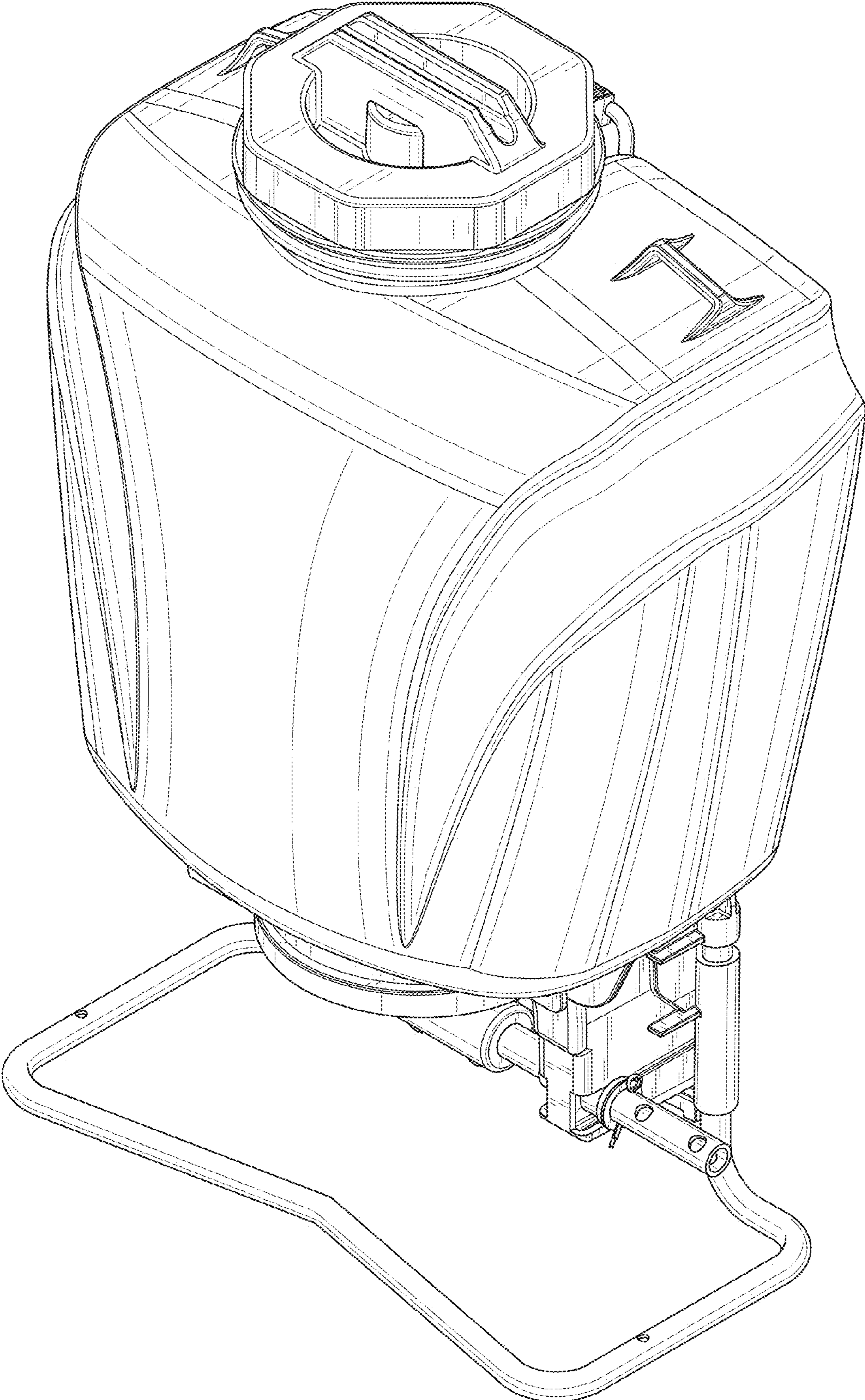


FIG. 1

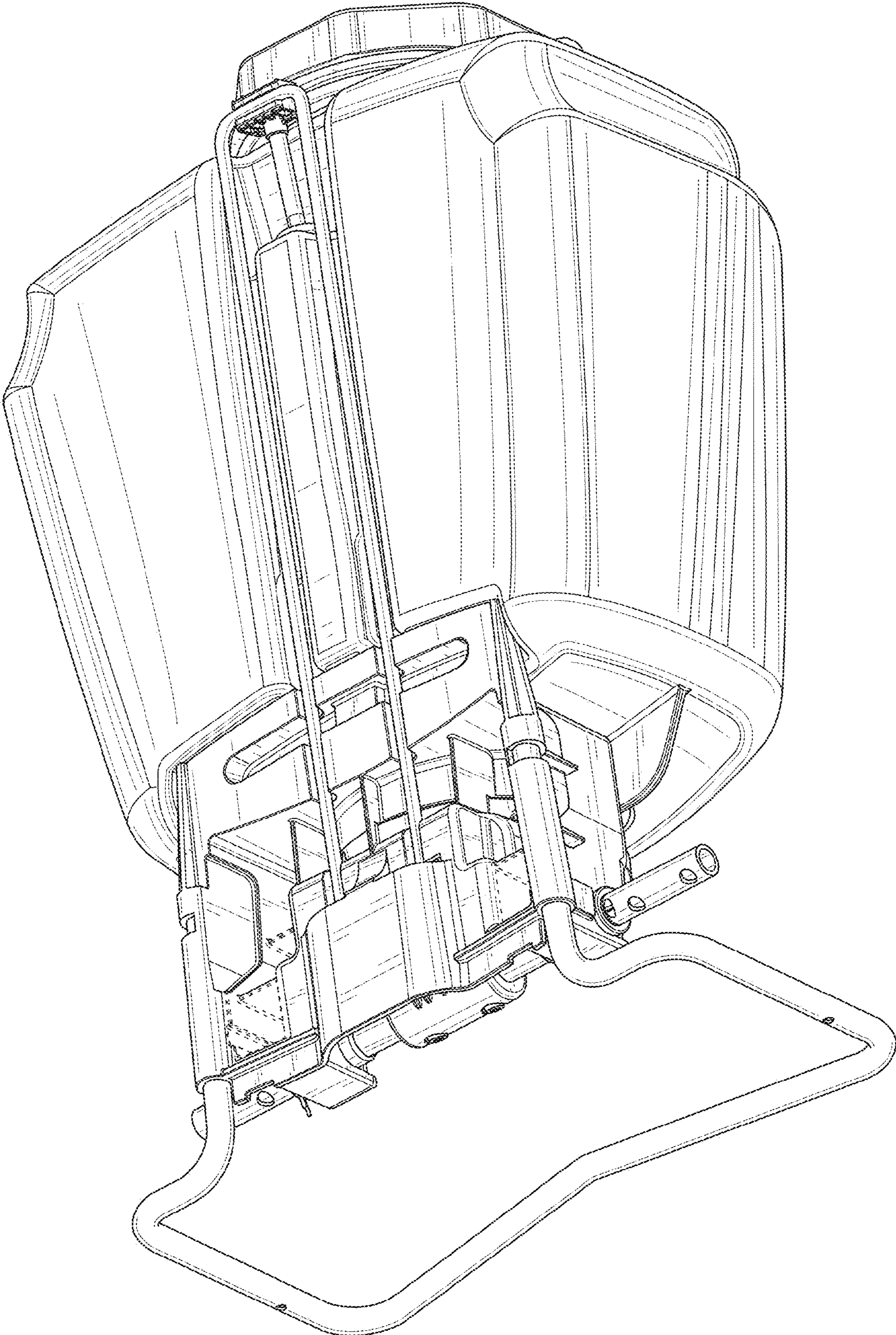


FIG. 2

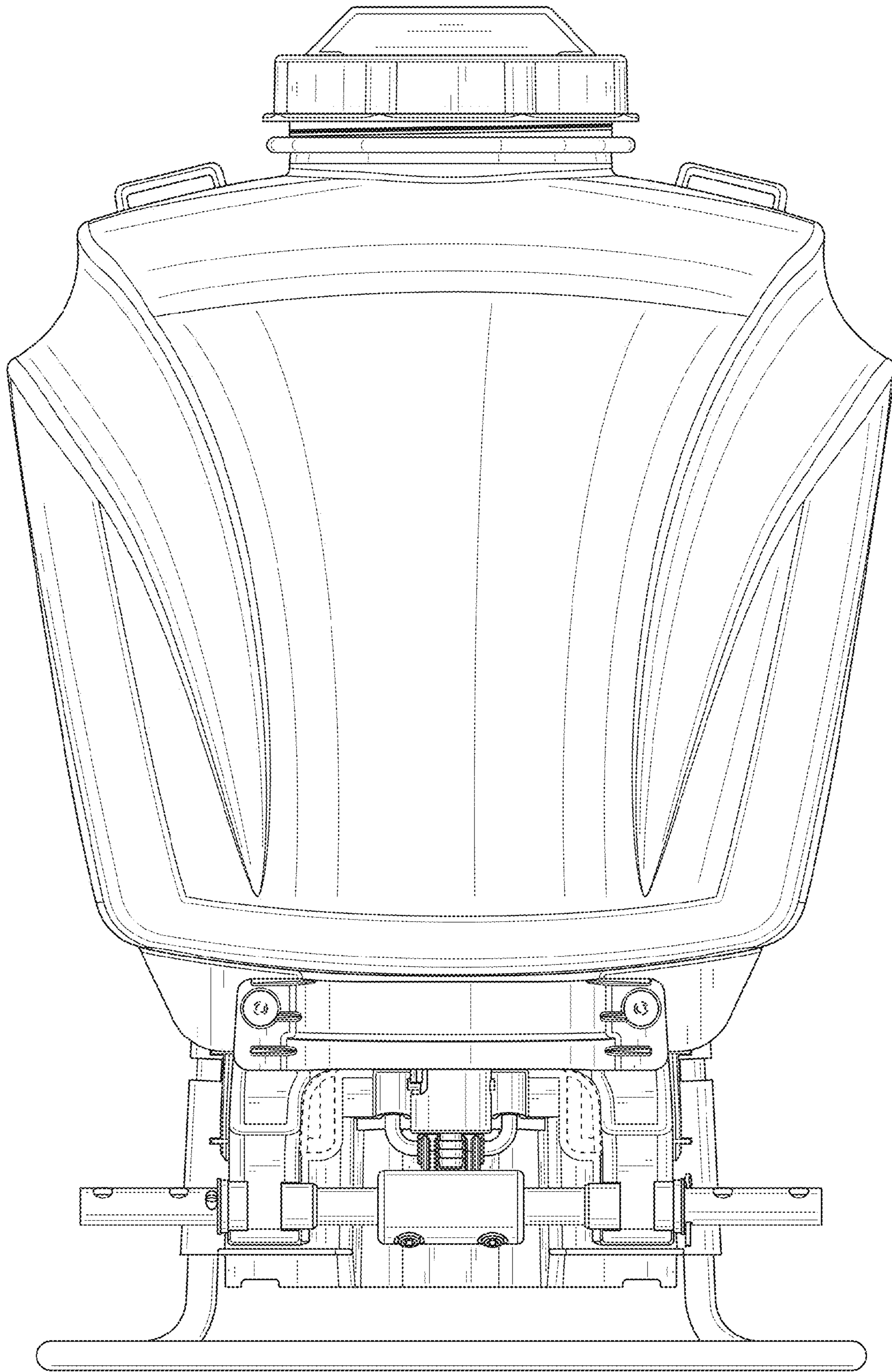


FIG. 3

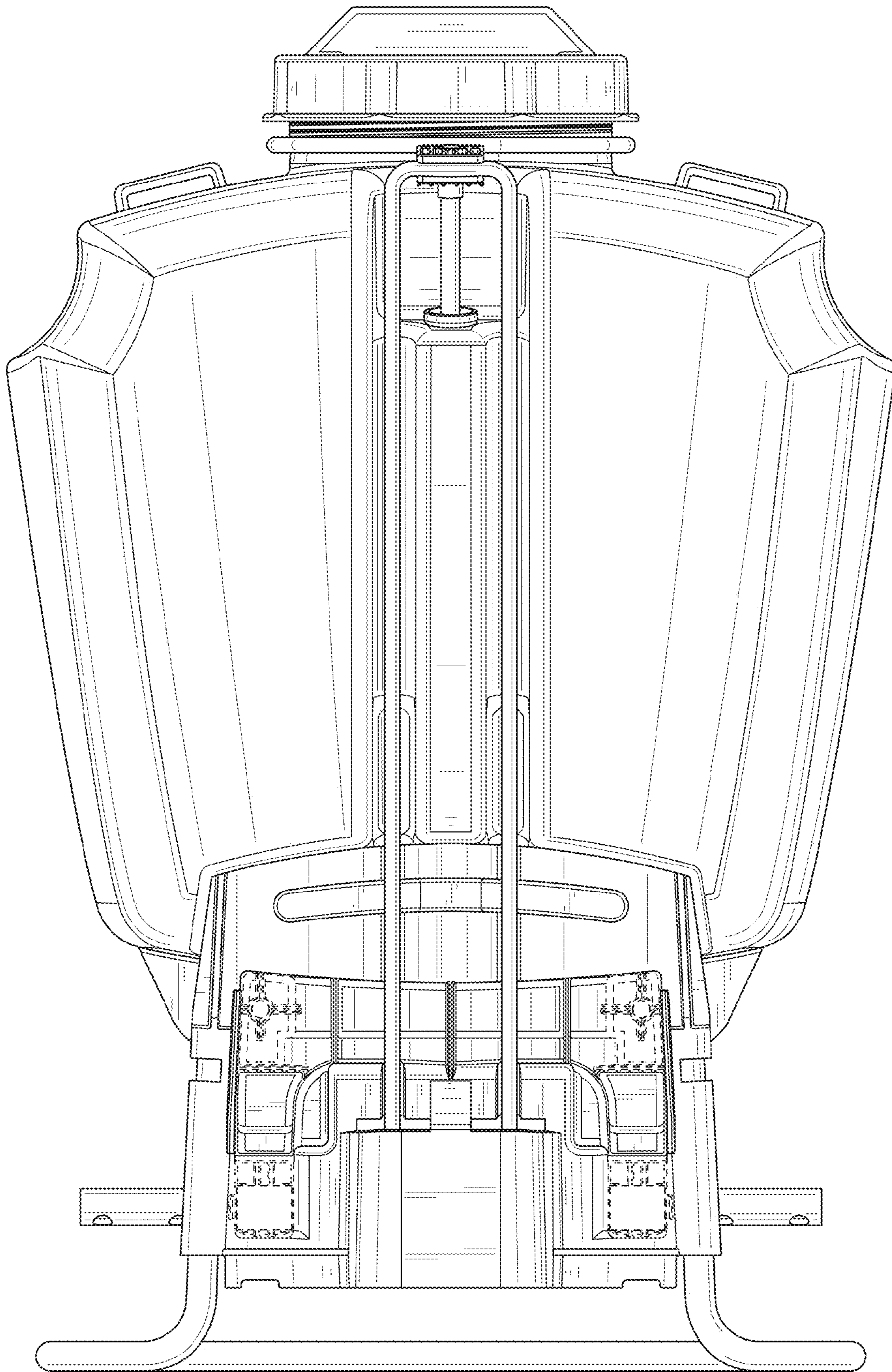


FIG. 4

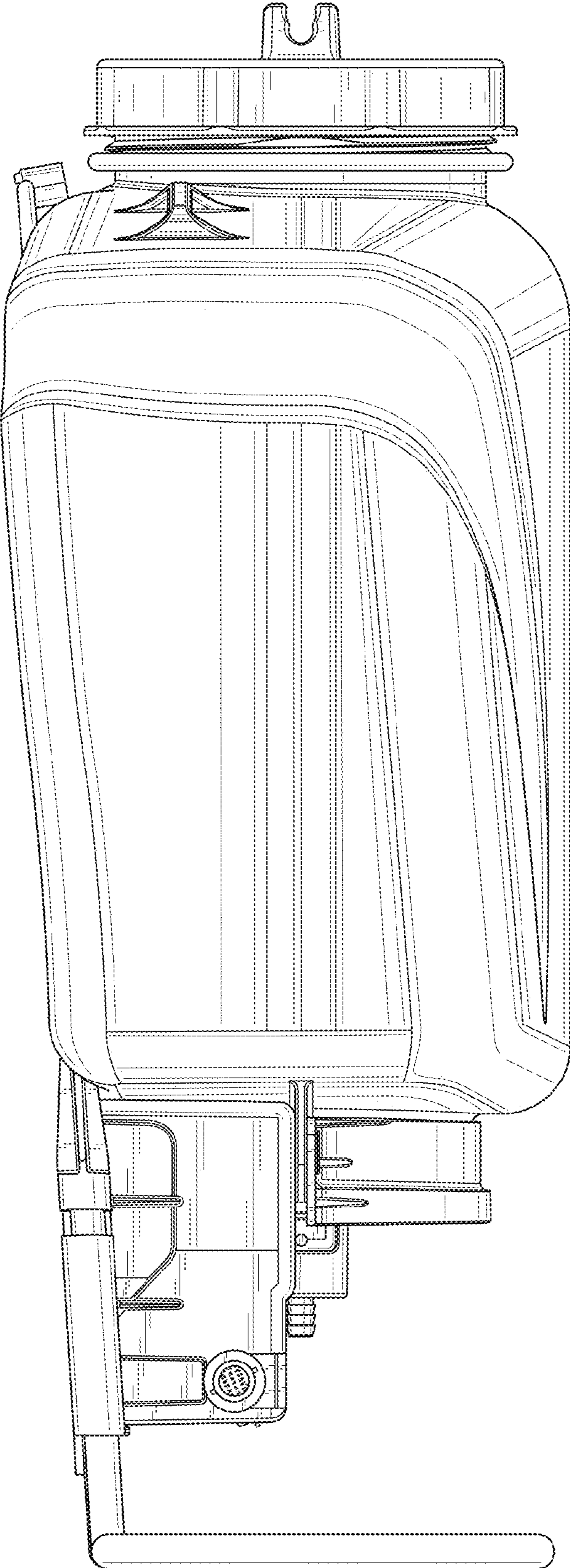


FIG. 5

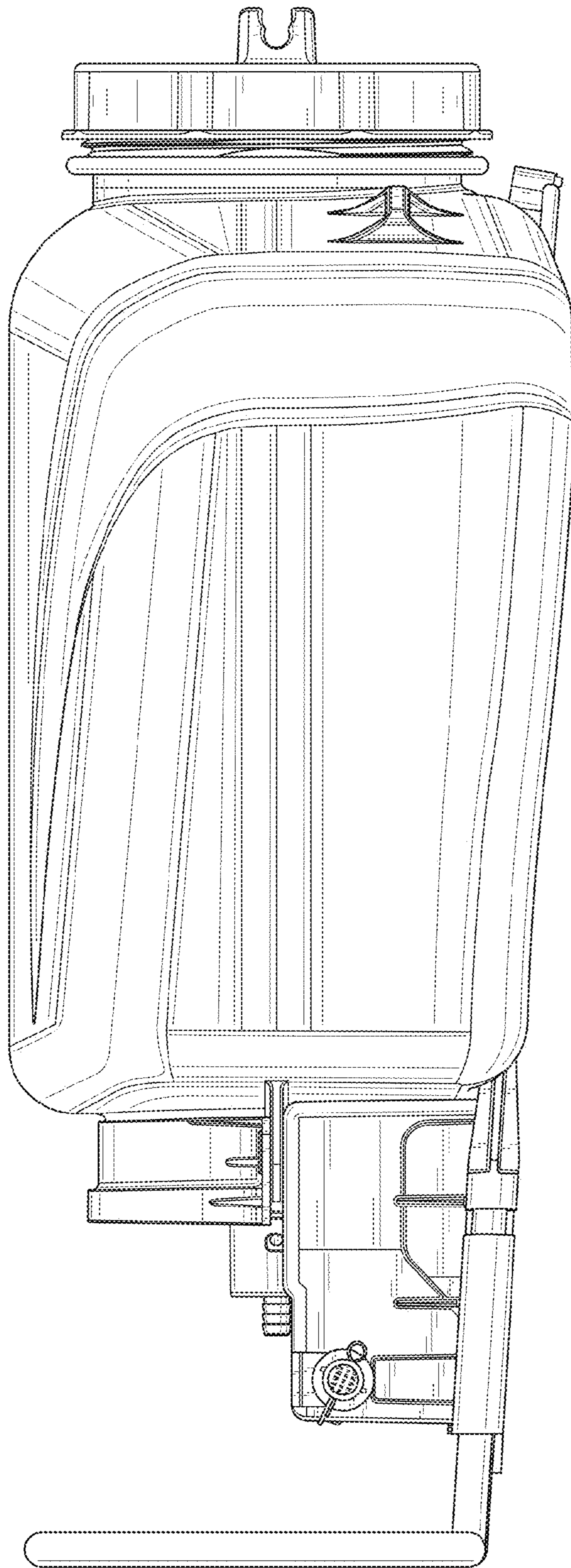


FIG. 6

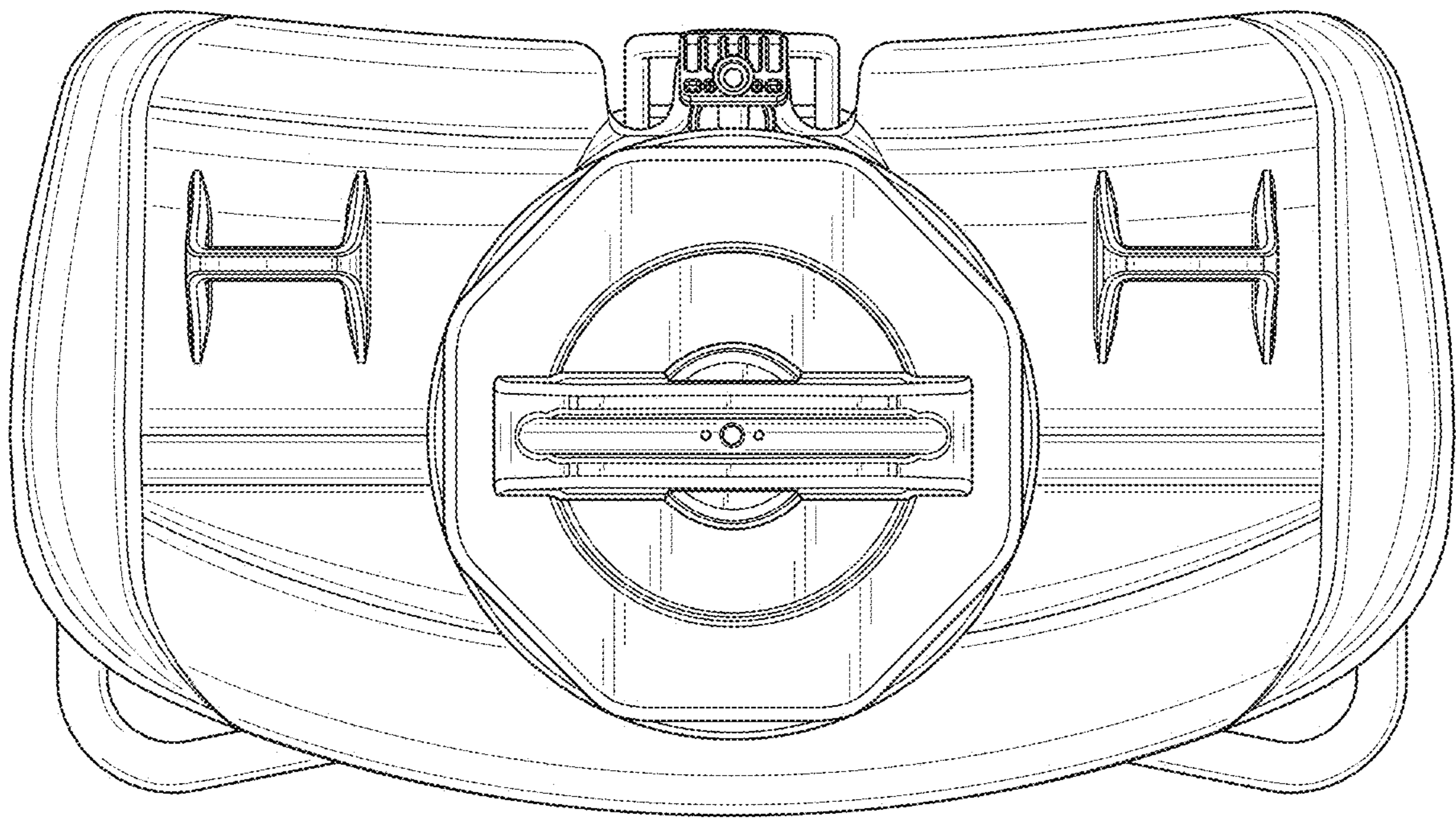


FIG. 7



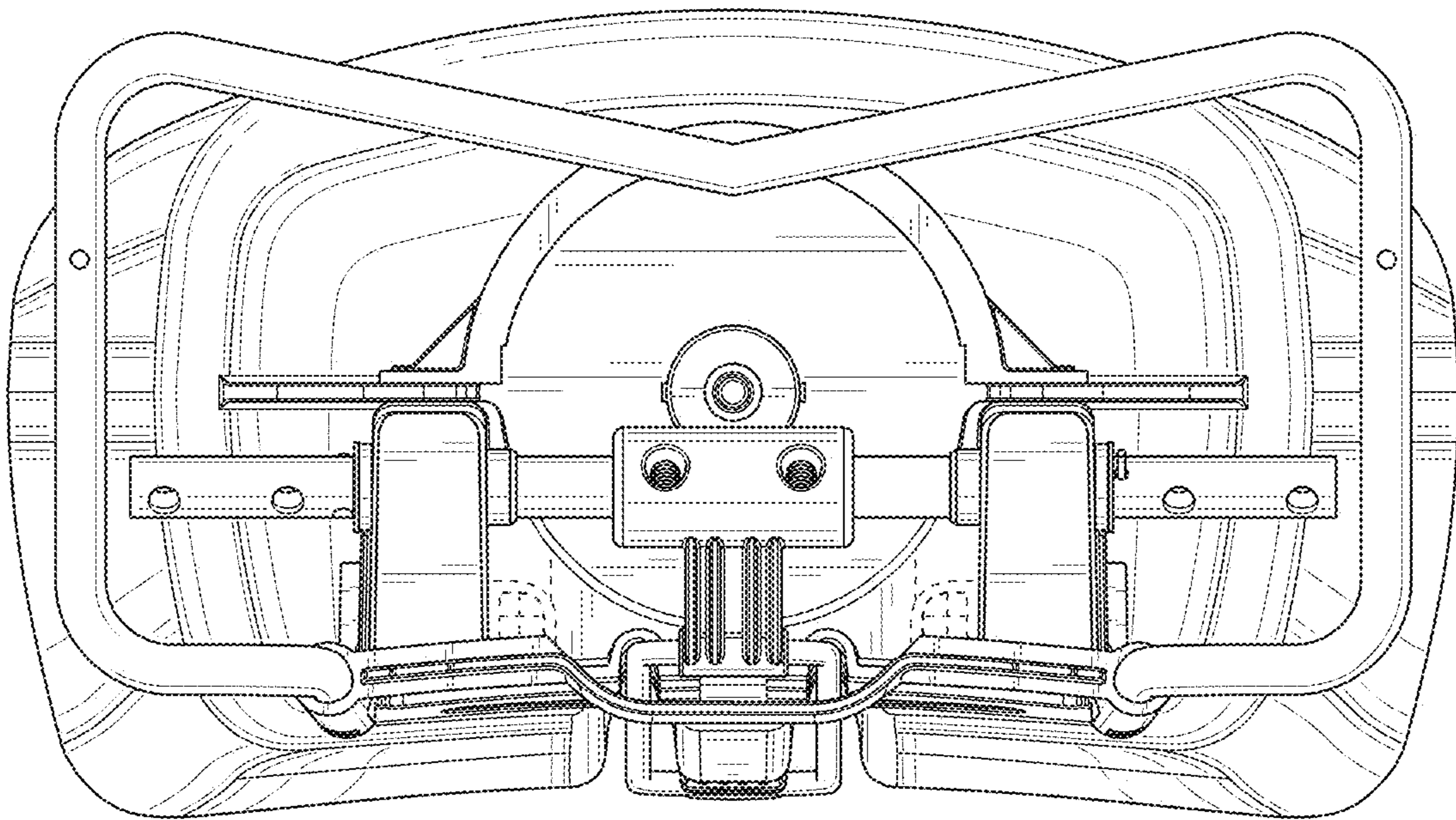


FIG. 8